

US00D496353S1

(12) **United States Design Patent** (10) **Patent No.:** **US D496,353 S**  
**Williamson** (45) **Date of Patent:** **\*\* Sep. 21, 2004**

(54) **SPEAKER TRANSDUCER**

(75) Inventor: **Clayton C. Williamson**, Moorpark, CA (US)

(73) Assignee: **Harman International Industries, Inc.**, Northridge, CA (US)

(\*\*) Term: **14 Years**

(21) Appl. No.: **29/185,406**

(22) Filed: **Jun. 27, 2003**

(51) **LOC (7) Cl.** ..... **14-01**

(52) **U.S. Cl.** ..... **D14/222**

(58) **Field of Search** ..... D14/204, 207,  
D14/209-216, 221-222, 356; 181/143-145,  
147-148, 150, 157, 198-199, 151, 153;  
381/300-302, 306, 333, 35, 361-364, 386-388,  
307

(56) **References Cited**

**U.S. PATENT DOCUMENTS**

D266,420 S	*	10/1982	Warner	.....	D14/222
D393,641 S	*	4/1998	Hai-Fu	.....	D14/216
D442,945 S	*	5/2001	Mahgerefteh	.....	D14/221
6,308,960 B1	*	10/2001	Peale	.....	181/199

\* cited by examiner

*Primary Examiner*—Nanda Bondade

(74) *Attorney, Agent, or Firm*—Plumsea Law Group, LLC

(57) **CLAIM**

The ornamental design for a speaker transducer, as shown and described.

**DESCRIPTION**

FIG. 1 is a perspective view of a speaker transducer portion in accordance with an embodiment of my new design;

FIG. 2 is a top plan view thereof;

FIG. 3 is a front elevational view thereof, the rear elevational view being a mirror image;

FIG. 4 is a side elevational view of one side thereof, the opposite side elevational view being a mirror image;

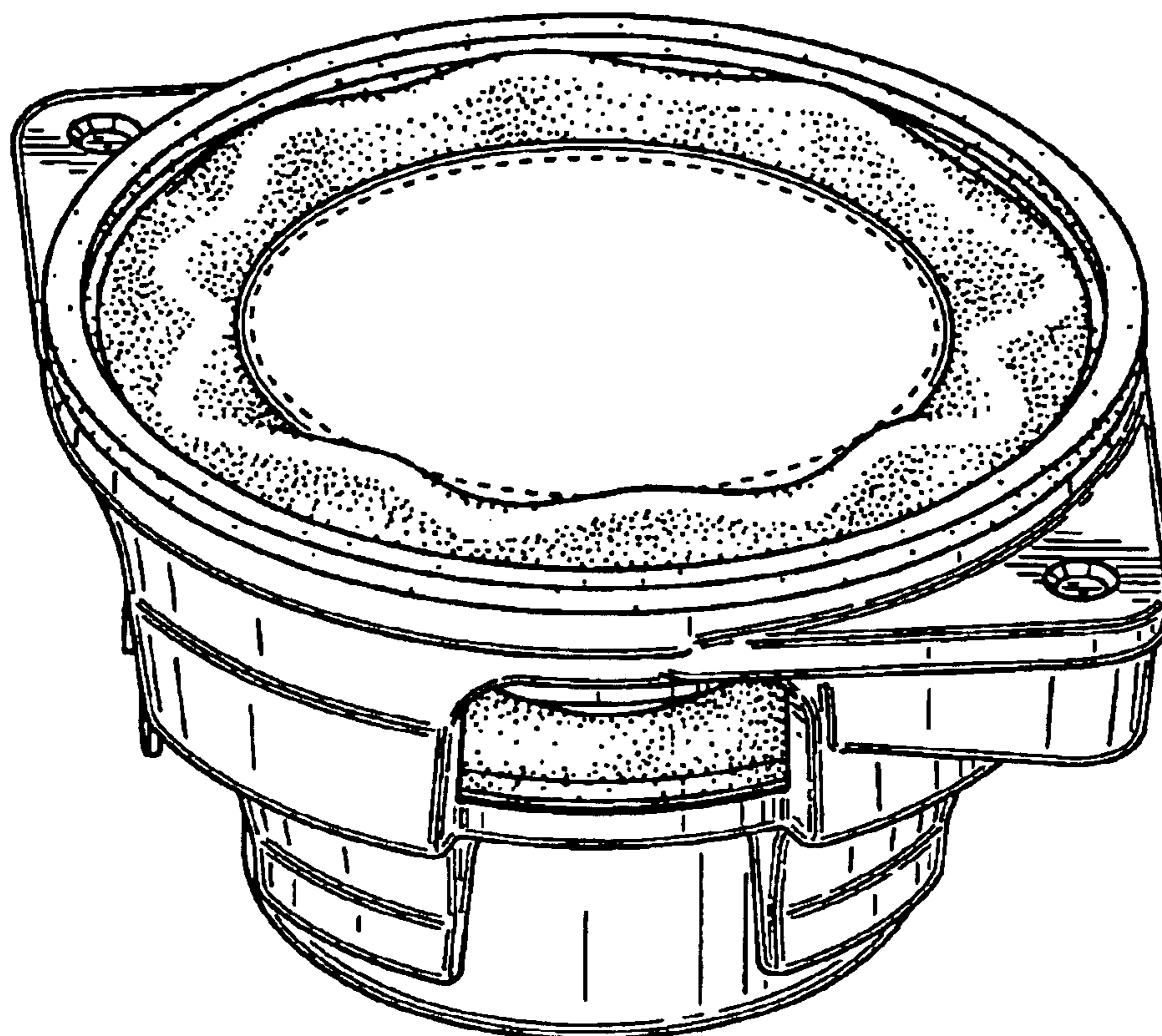
FIG. 5 is a bottom plan view thereof;

FIG. 6 is an enlarged cross-sectional view of a portion thereof, taken along 6—6 in FIG. 2; and,

FIG. 7 is an enlarged cross-sectional view of a portion thereof, taken along 7—7 in FIG. 2.

The broken line showings of the circle in the central area of the transducer, and the horizontal lines in FIG. 3 are for illustrative purposes only and forms no part of the claimed design.

**1 Claim, 4 Drawing Sheets**



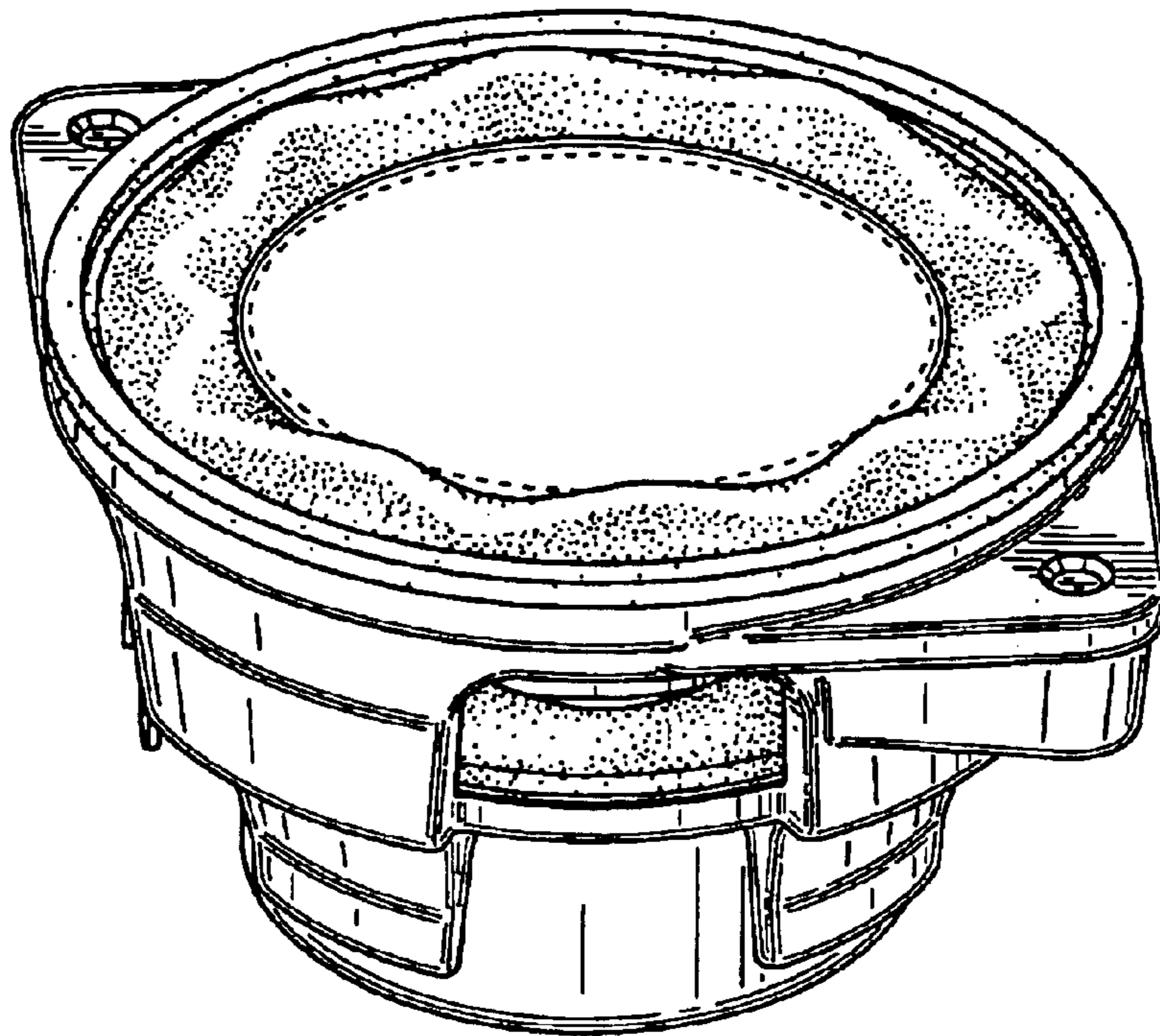


FIG. 1

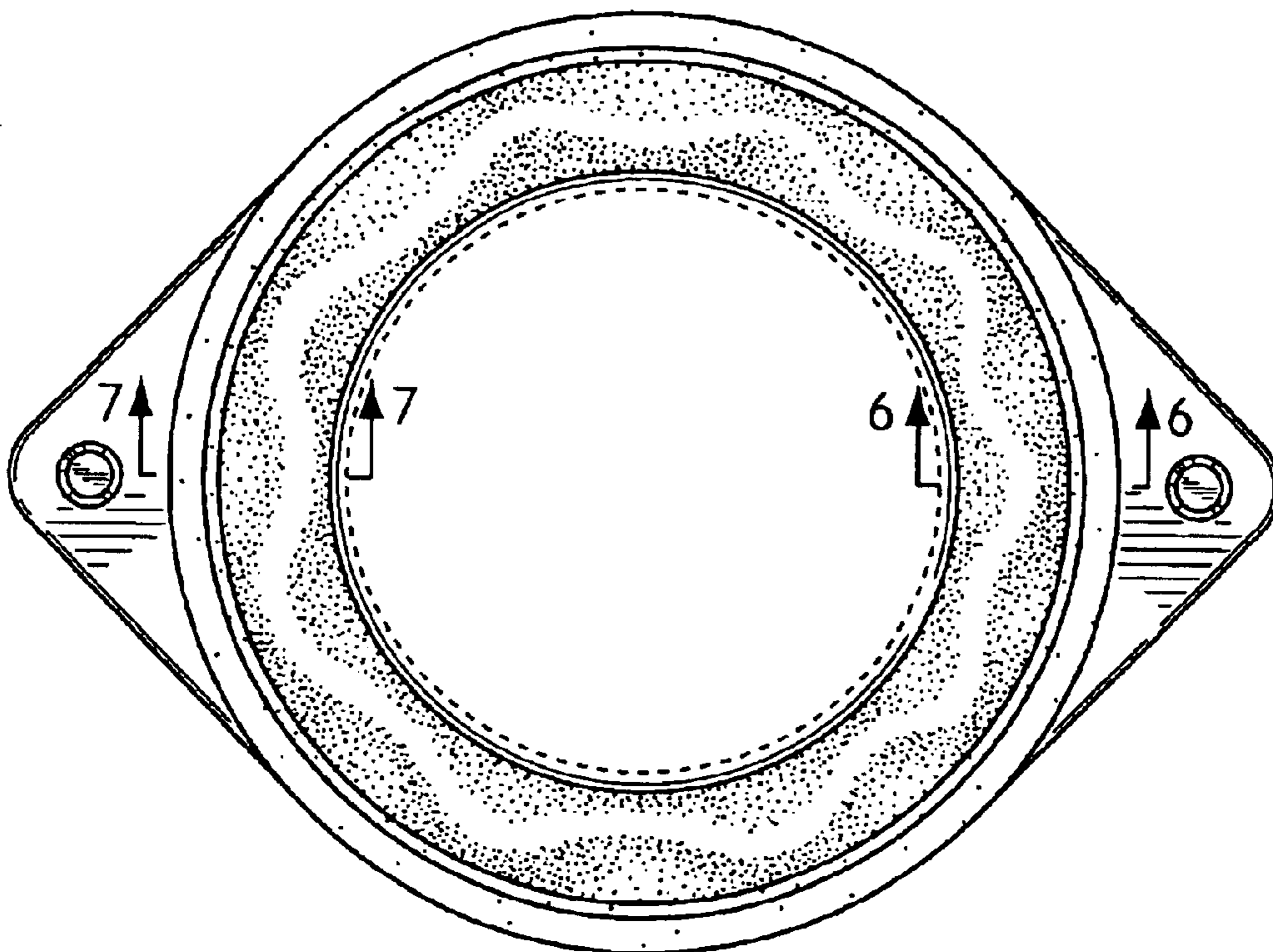


FIG. 2

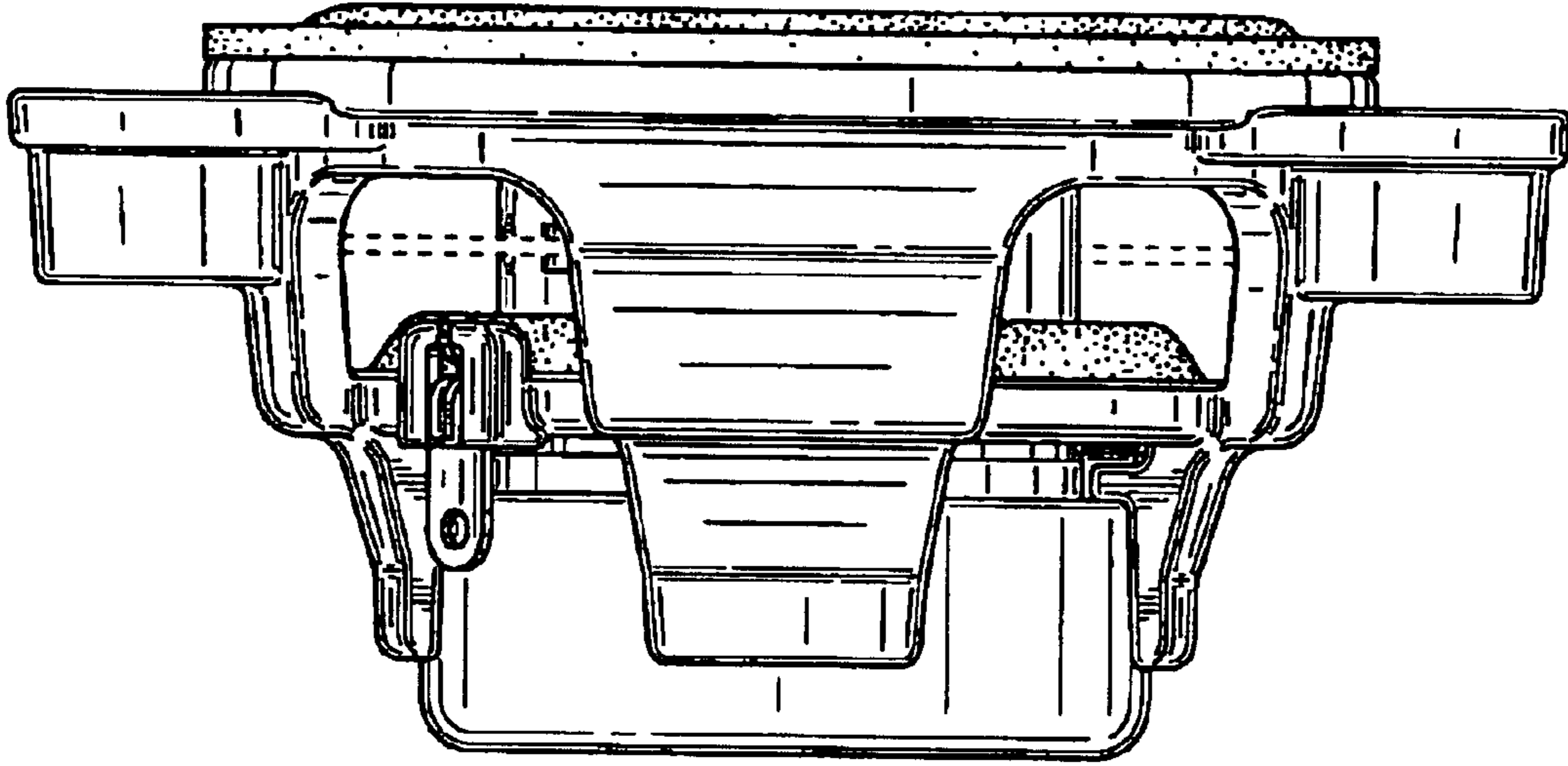


FIG. 3

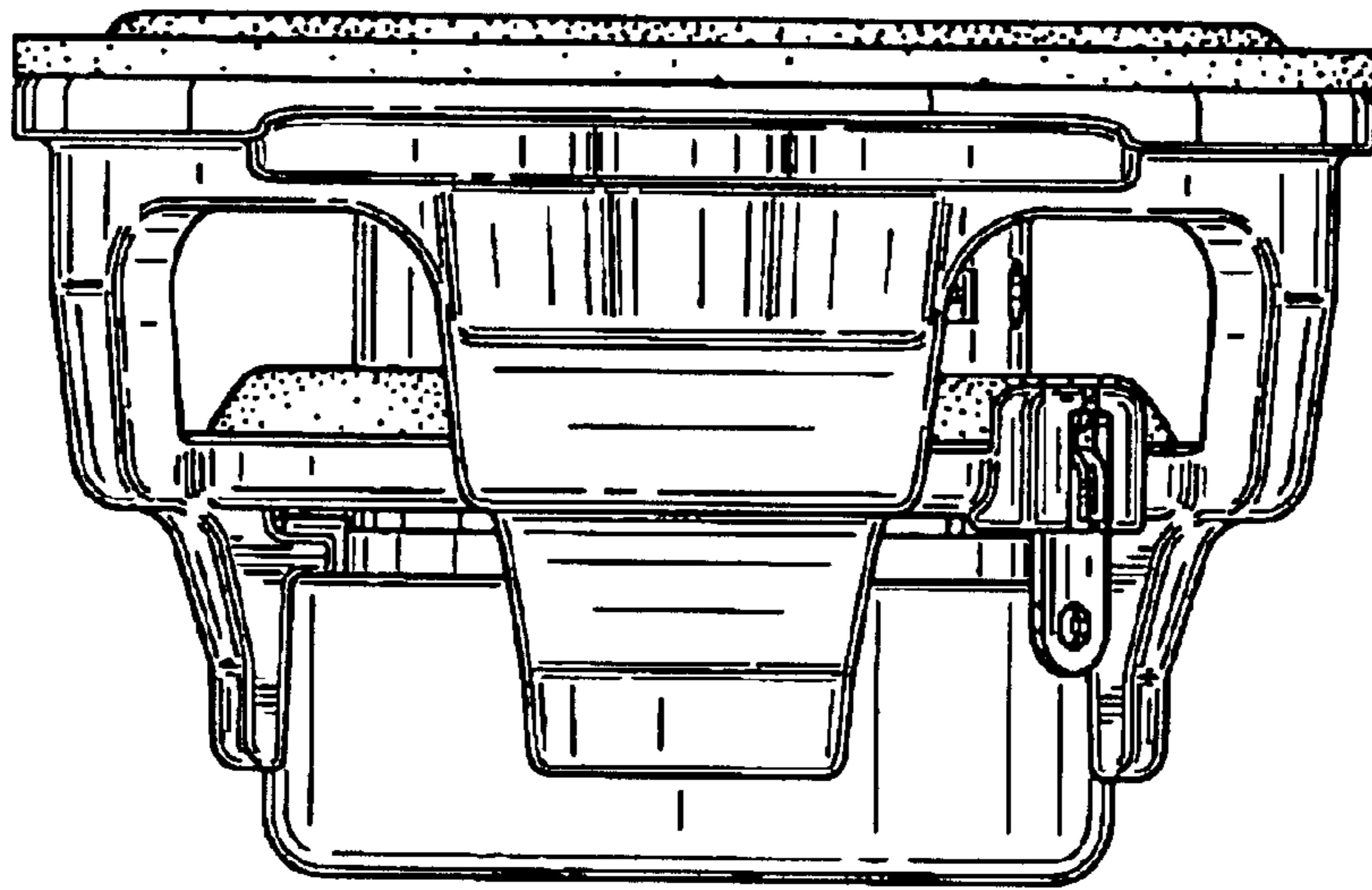


FIG. 4

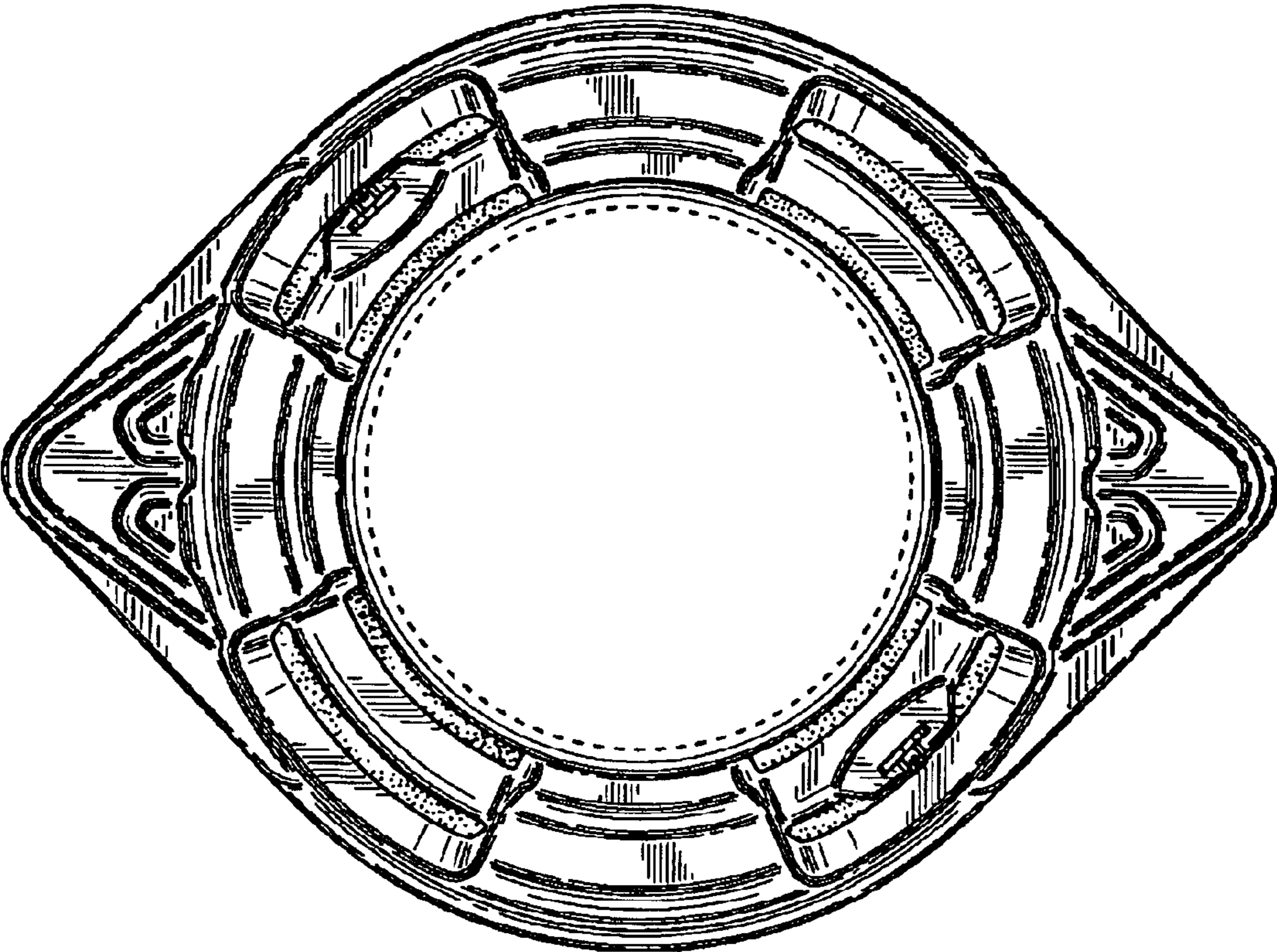


FIG. 5

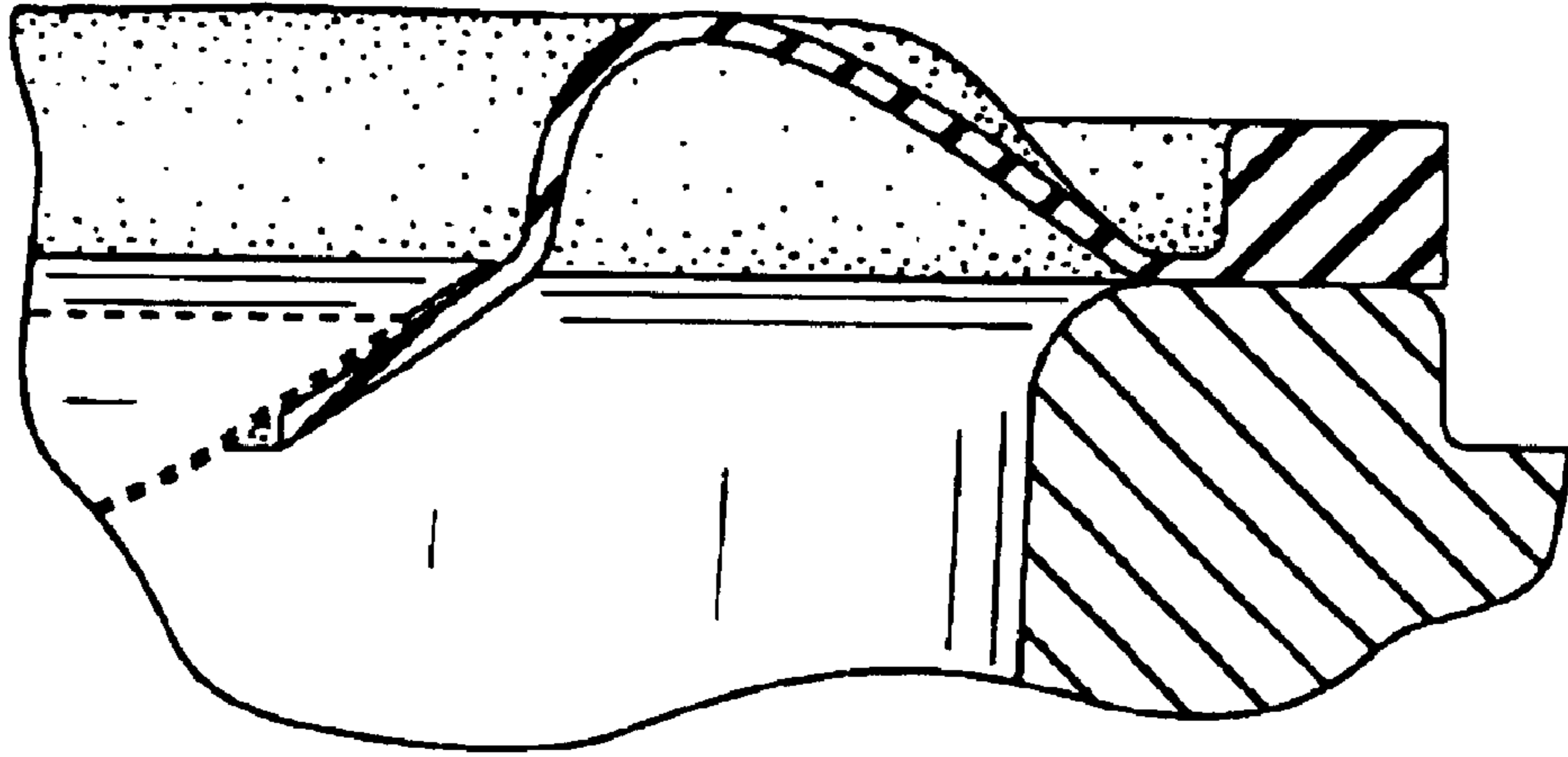


FIG. 6

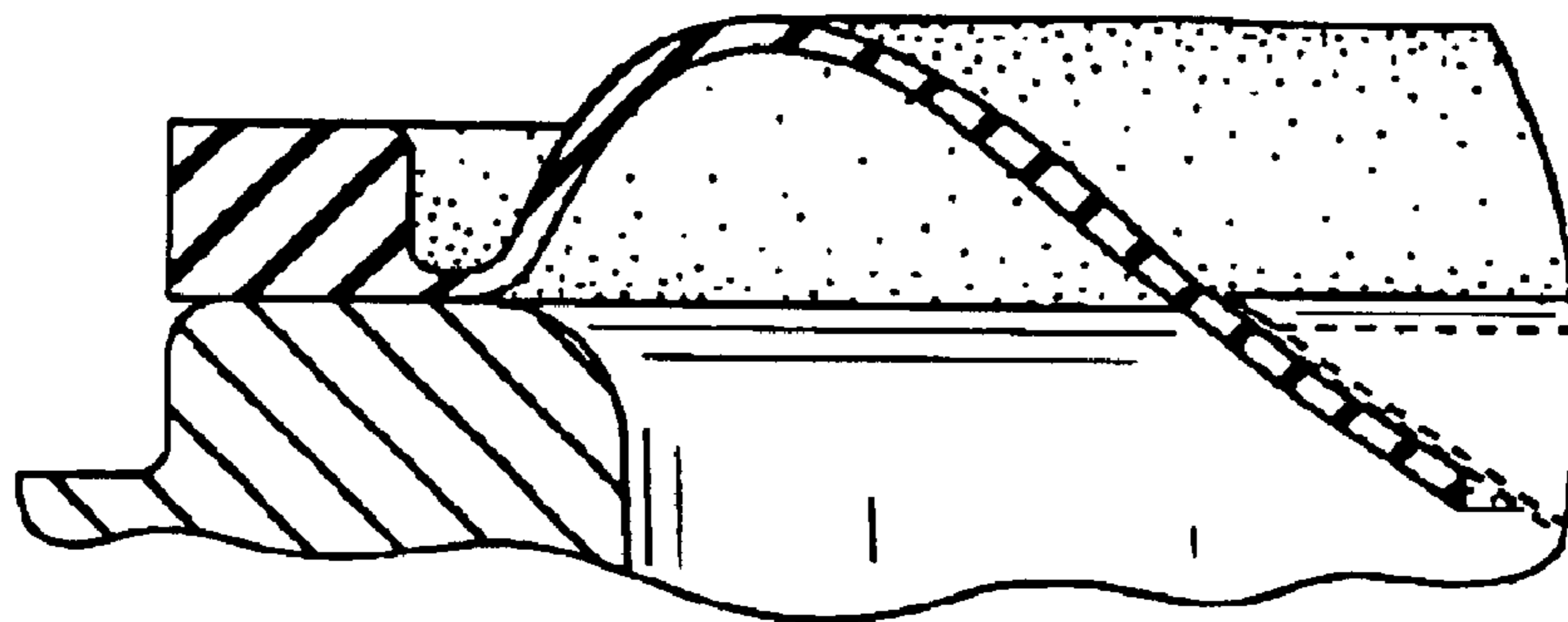


FIG. 7