



US00D496339S1

(12) **United States Design Patent**  
**Stanley**

(10) **Patent No.: US D496,339 S**  
(45) **Date of Patent: \*\* Sep. 21, 2004**

(54) **HOLDER, IN PARTICULAR FOR A MICROFLUIDIC CHIP STRUCTURE**

(75) Inventor: **Alan Leslie Stanley, Harlow (GB)**

(73) Assignee: **Glaxo Group Limited, Greenford (GB)**

(\*\*) Term: **14 Years**

(21) Appl. No.: **29/187,420**

(22) Filed: **Jul. 31, 2003**

(30) **Foreign Application Priority Data**

Jan. 31, 2003 (GB) ..... 3010508

(51) **LOC (7) Cl. .... 13-03**

(52) **U.S. Cl. .... D13/182**

(58) **Field of Search** ..... D13/182; 73/577,  
73/579, 597, 799; 137/14, 454.2, 803, 807,  
828, 825; 204/403.05, 435, 450, 453, 601;  
210/542; 250/288; 422/100, 101, 102, 104;  
435/6, 91.2, 287.2, 809; 436/171, 180

(56) **References Cited**

**U.S. PATENT DOCUMENTS**

4,682,890 A \* 7/1987 de Macario et al. .... 356/244  
D295,401 S \* 4/1988 Klees ..... D13/182  
5,741,463 A \* 4/1998 Sanadi ..... 422/101  
6,117,397 A \* 9/2000 Antonenko et al. .... 422/101

6,254,833 B1 \* 7/2001 Shumate et al. .... 422/102  
6,258,593 B1 \* 7/2001 Schembri et al. .... 435/287.2  
6,534,014 B1 \* 3/2003 Mainquist et al. .... 422/99  
RE38,323 E \* 11/2003 Sugihara et al. .... 435/287.1  
6,669,911 B1 \* 12/2003 Swanson ..... 422/102

\* cited by examiner

*Primary Examiner*—Prabhakar Deshmukh

*Assistant Examiner*—Selina Sikder

(74) *Attorney, Agent, or Firm*—J. Michael Strickland

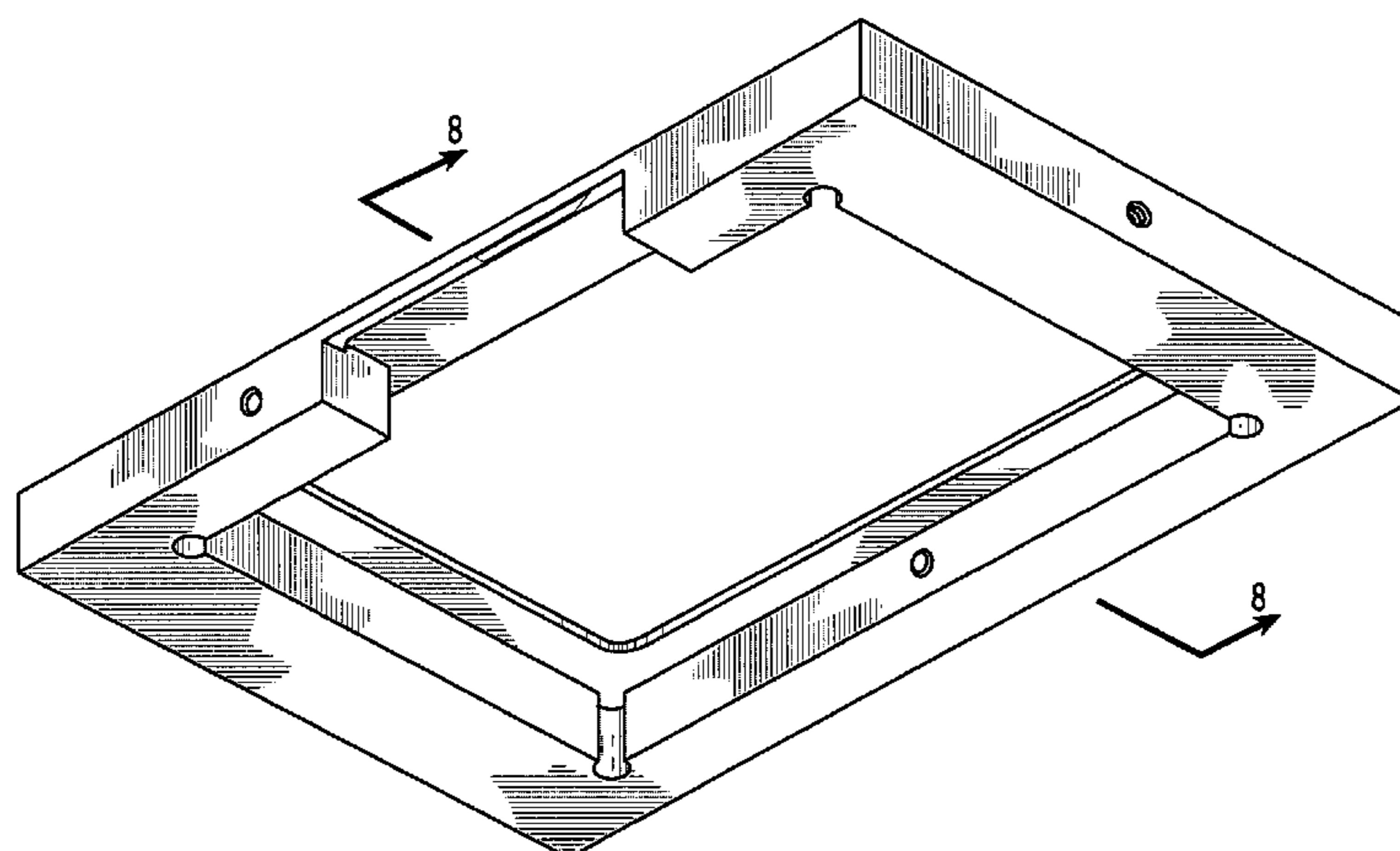
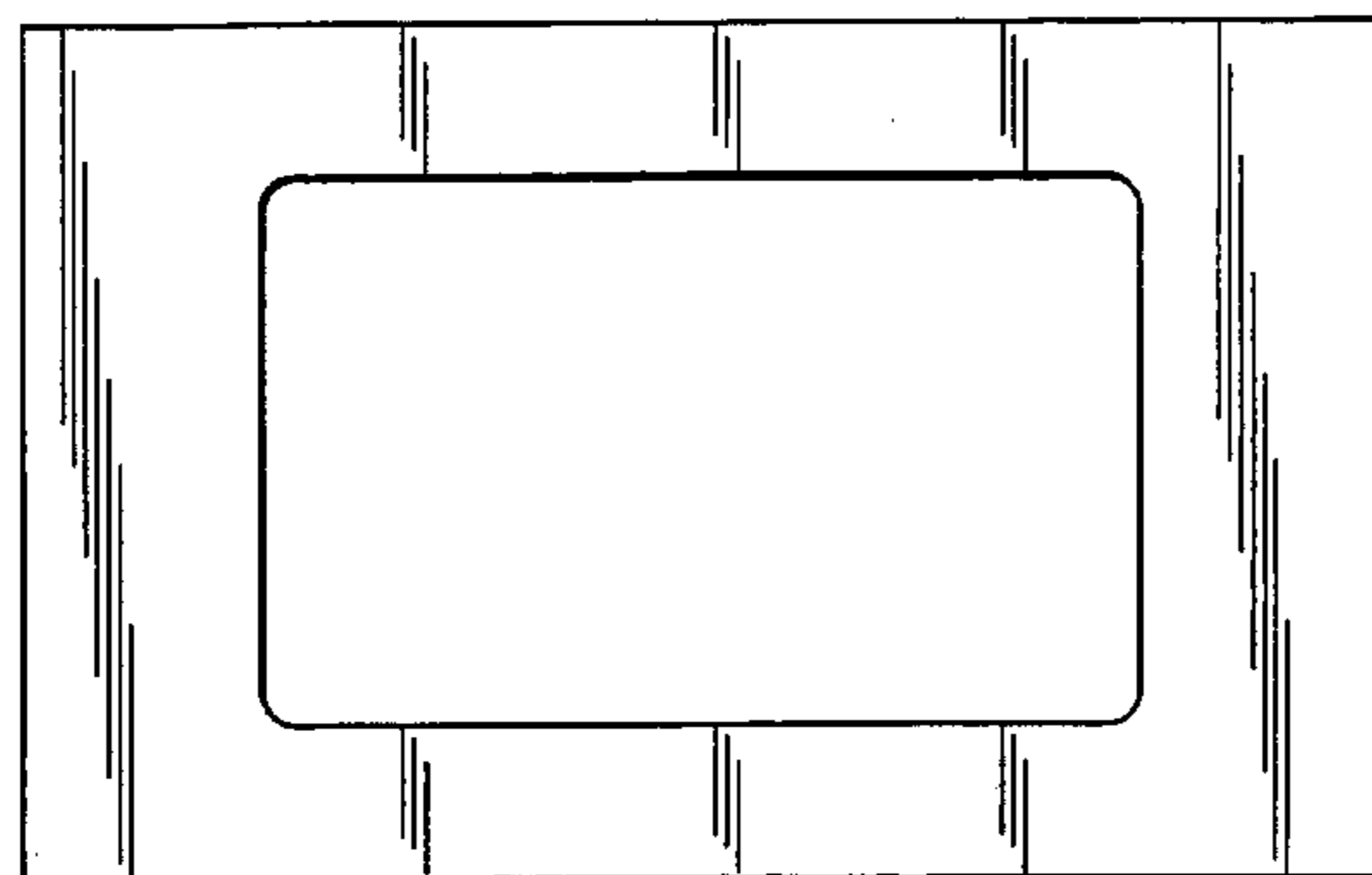
(57) **CLAIM**

The ornamental design for a holder, in particular for a microfluidic chip structure, as shown and described.

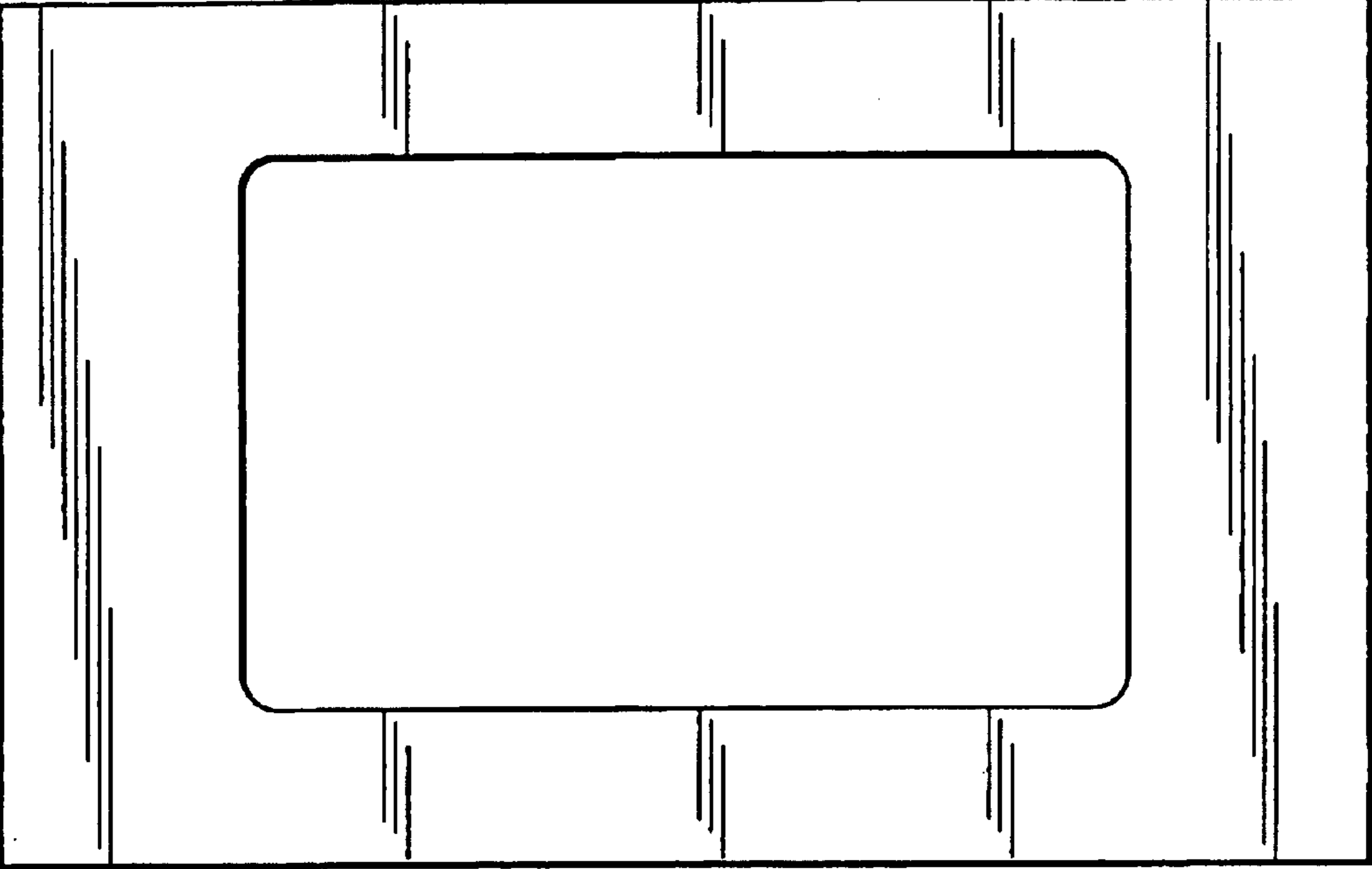
**DESCRIPTION**

FIG. 1 is a top plan view of a holder, in particular for a microfluidic chip structure showing my new design; FIG. 2 is a bottom plan view thereof; FIG. 3 is a perspective view of the front, bottom, and right side view thereof; FIG. 4 is a front elevation view thereof; and FIG. 5 is a rear elevation view thereof; FIG. 6 is a right side elevation view thereof; FIG. 7 is a left side elevation view thereof; and FIG. 8 is a cross section view thereof taken along line 8—8 shown in FIG. 3.

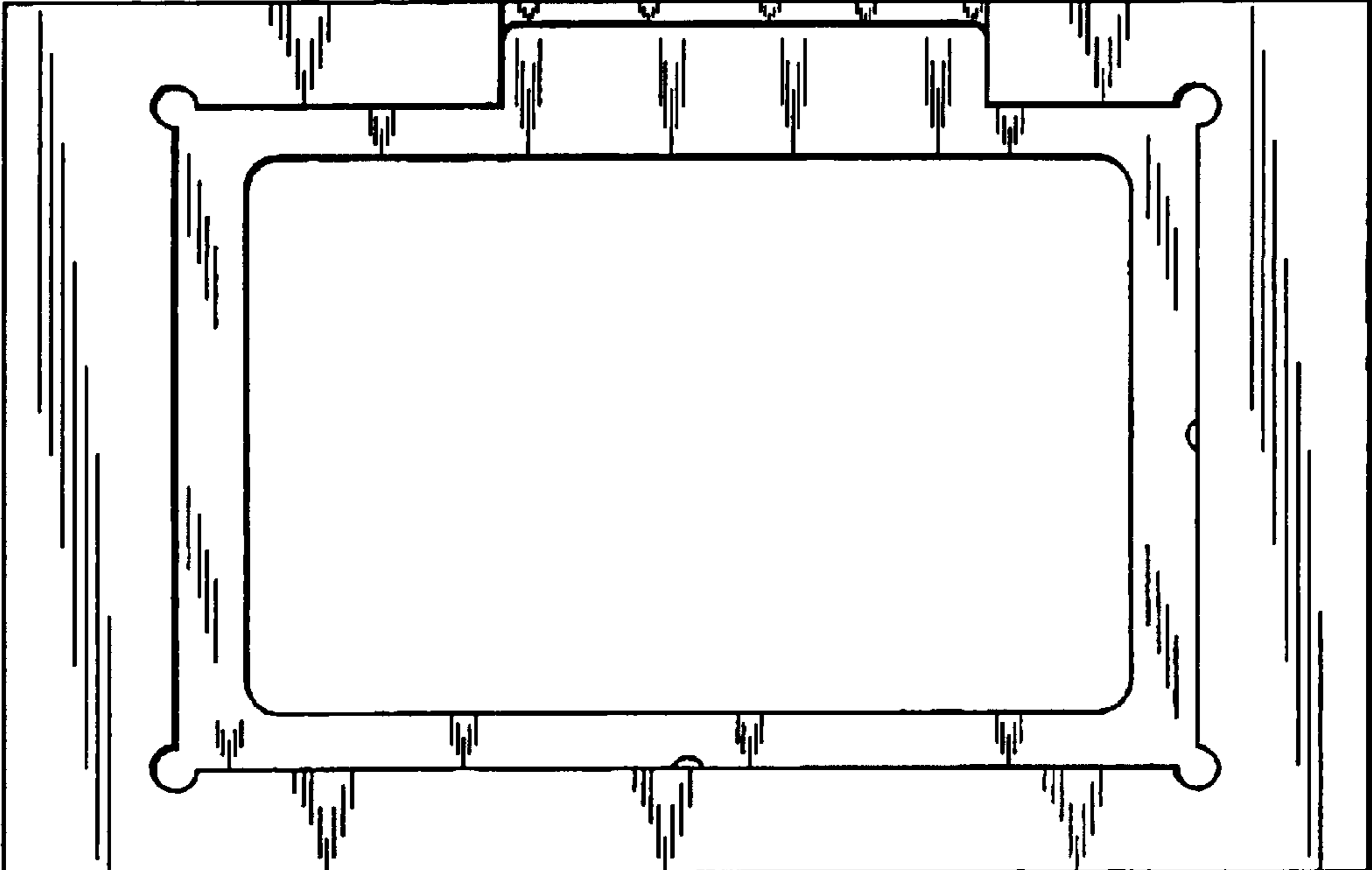
**1 Claim, 3 Drawing Sheets**



*Fig. 1*



*Fig. 2*



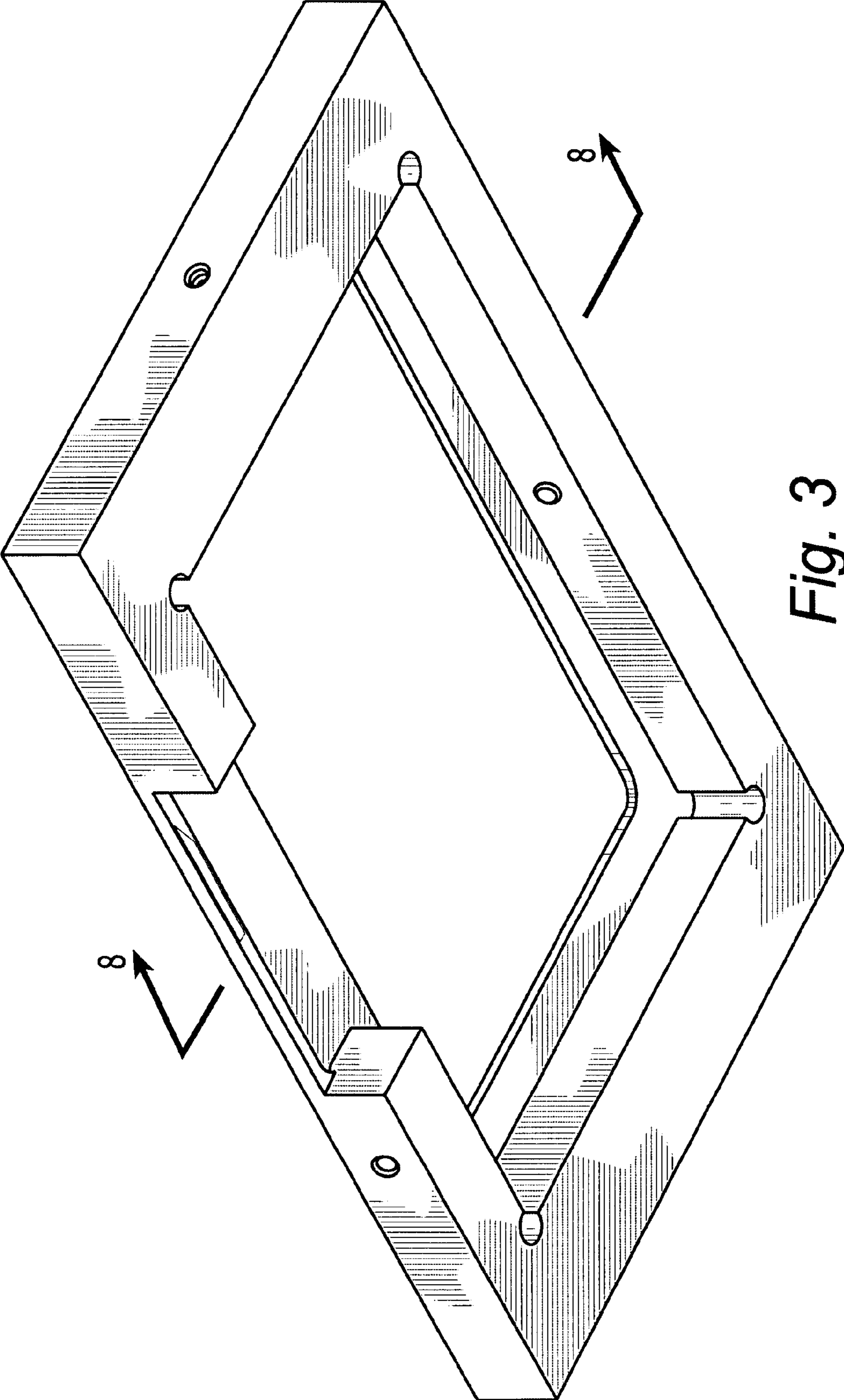


Fig. 3

*Fig. 4*



*Fig. 5*



*Fig. 6*



*Fig. 7*



*Fig. 8*

