

US00D496336S1

(12) **United States Design Patent**
Wang

(10) **Patent No.:** **US D496,336 S**

(45) **Date of Patent:** **** Sep. 21, 2004**

(54) **SWITCH**

(75) **Inventor:** **Pai-Shan Wang, Tainan Hsien (TW)**

(73) **Assignee:** **Shin Chin Industrial Co., Ltd., Tainan Hsien (TW)**

(**) **Term:** **14 Years**

(21) **Appl. No.:** **29/197,170**

(22) **Filed:** **Jan. 13, 2004**

(51) **LOC (7) Cl.** **13-03**

(52) **U.S. Cl.** **D13/171**

(58) **Field of Search** D13/158, 169,
D13/170, 171, 174; 200/6 R, 296, 302.2,
334, 341, 345, 520, 552

(56) **References Cited**

U.S. PATENT DOCUMENTS

D266,084 S * 9/1982 Colavecchio D13/158
4,454,397 A * 6/1984 Kim 200/296
6,103,982 A * 8/2000 Chien 200/315

6,444,932 B1 * 9/2002 Resmalm 200/334
D469,411 S * 1/2003 Decosse D13/174
6,586,694 B2 * 7/2003 Shotey et al. 200/333
6,608,269 B1 * 8/2003 Wu 200/296

* cited by examiner

Primary Examiner—Stella Reid

Assistant Examiner—Selina Sikder

(74) *Attorney, Agent, or Firm*—Rosenberg, Klein & Lee

(57) **CLAIM**

The ornamental design for a switch, as shown and described.

DESCRIPTION

FIG. 1 is a perspective view of a switch showing my new design;

FIG. 2 is a front elevational view thereof;

FIG. 3 is a rear elevational view thereof;

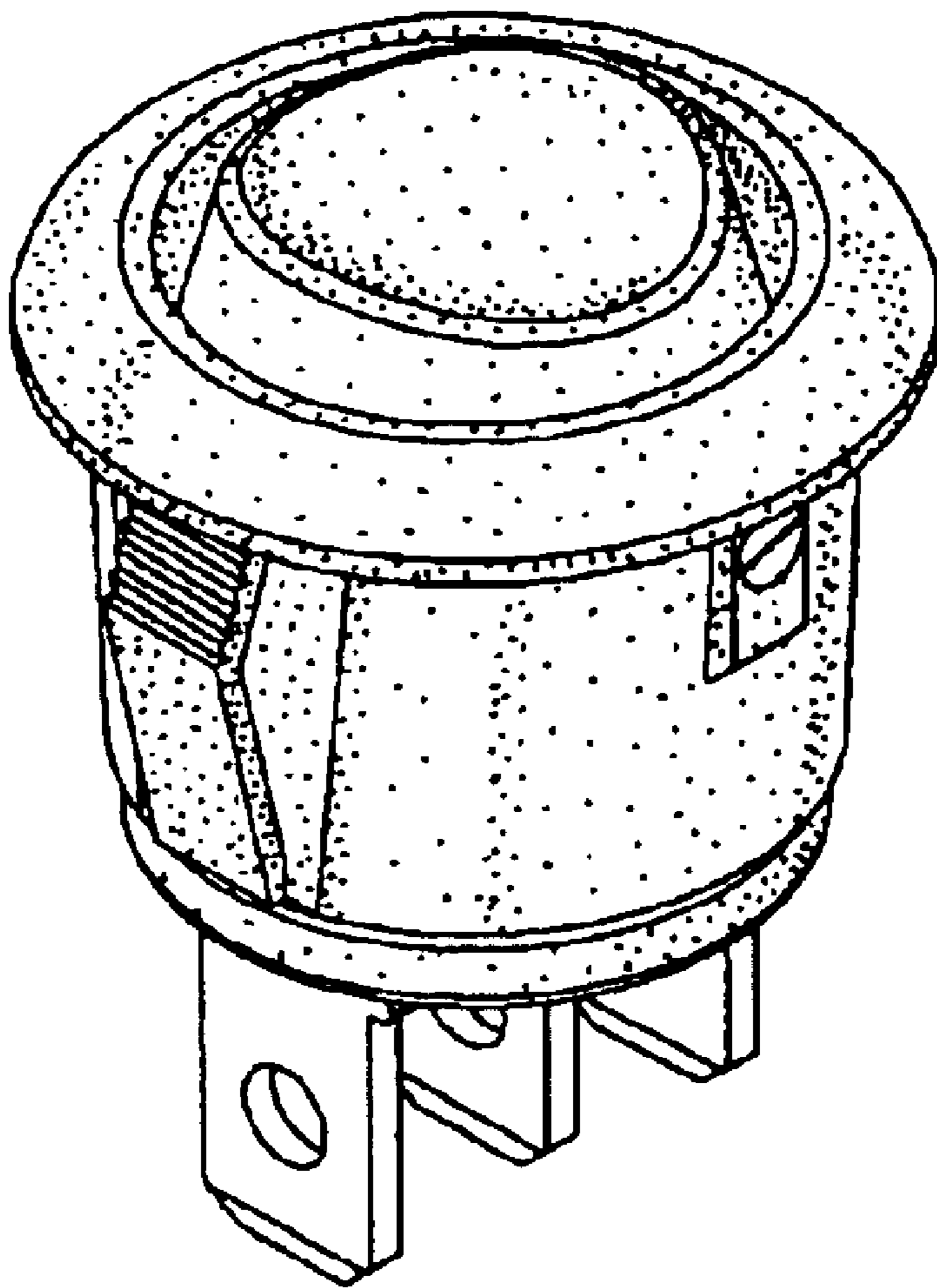
FIG. 4 is a left side elevational view thereof;

FIG. 5 is a right side elevational view thereof;

FIG. 6 is a top plan view thereof; and,

FIG. 7 is a bottom plan view thereof.

1 Claim, 2 Drawing Sheets



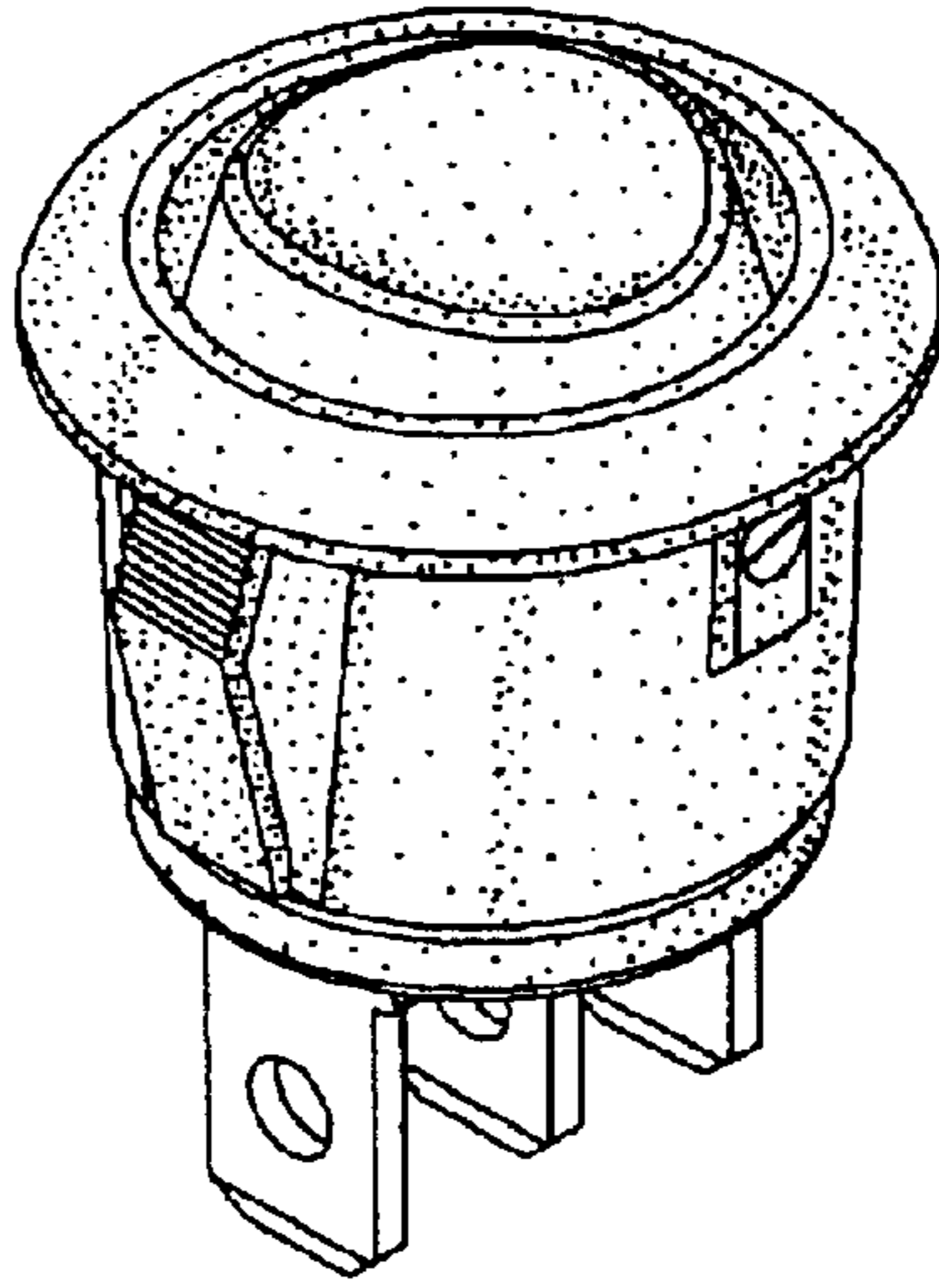


FIG. 1

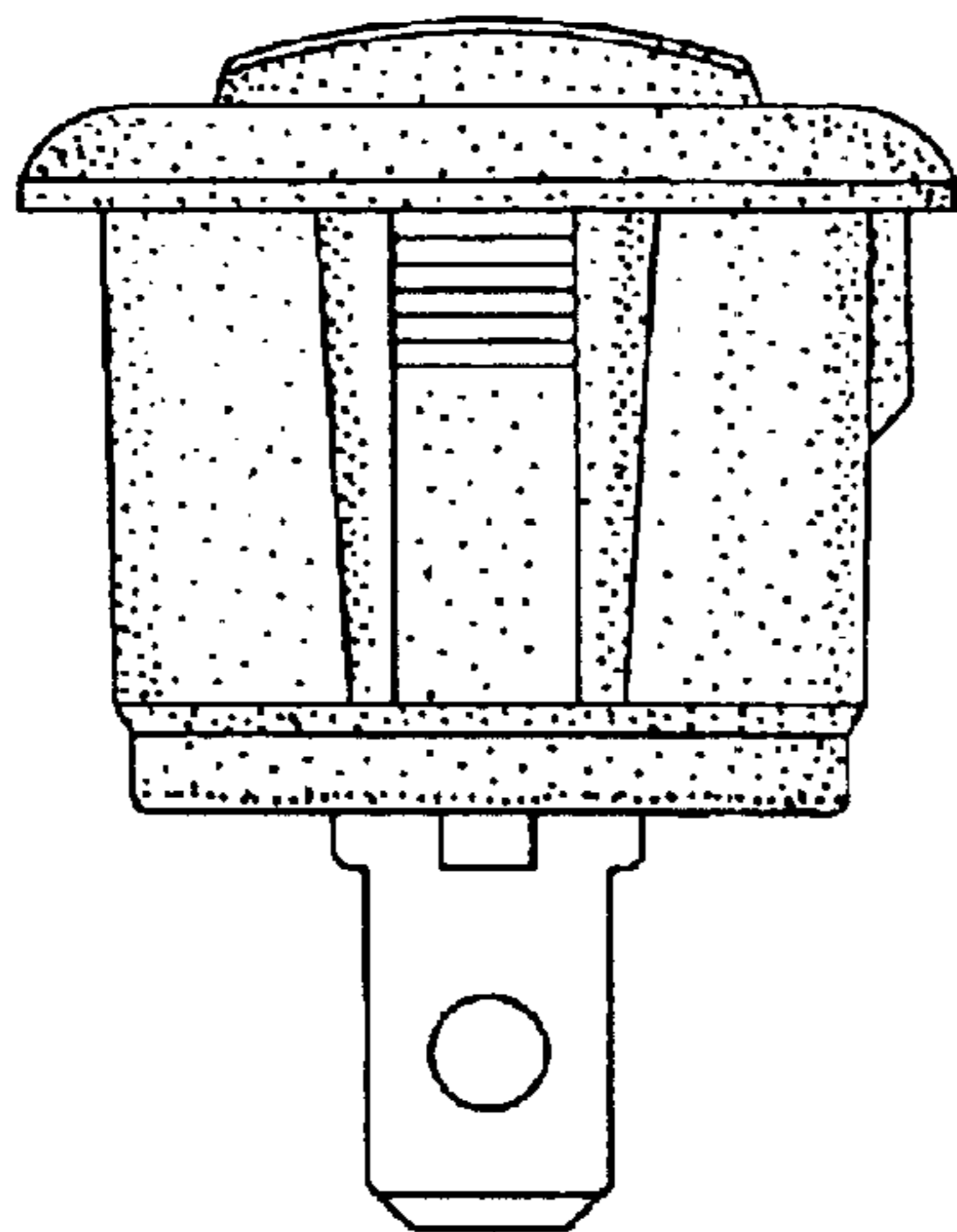


FIG. 2

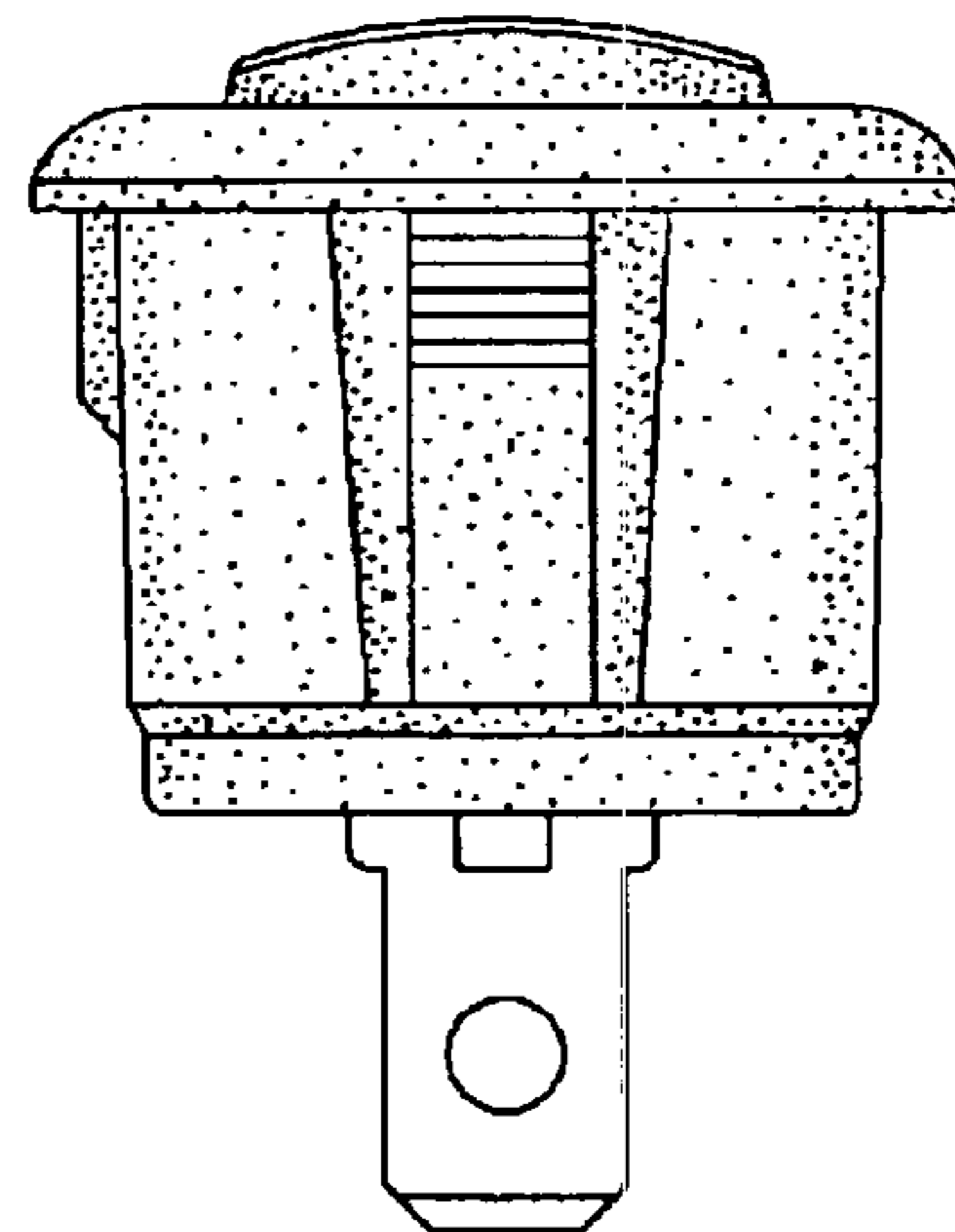


FIG. 3

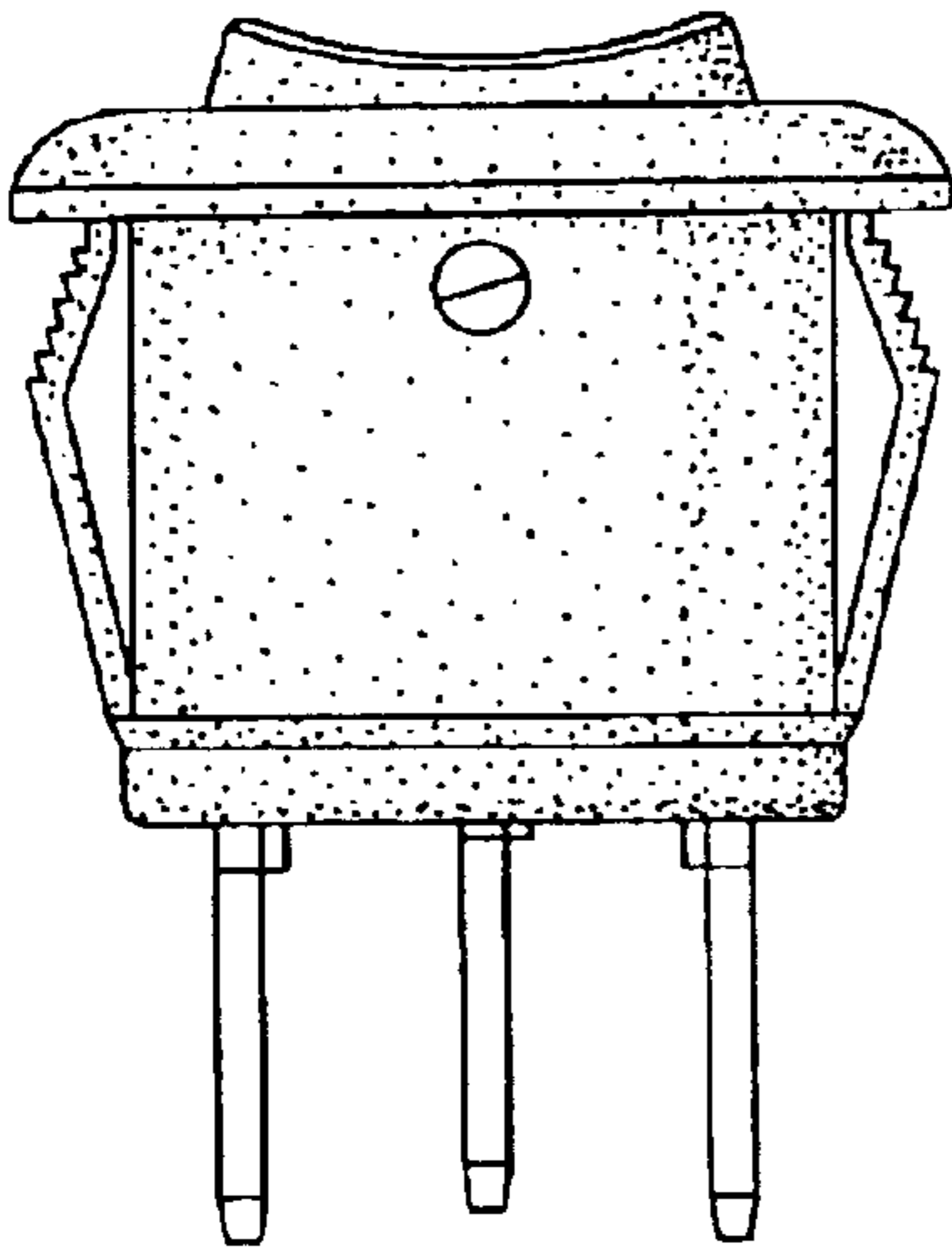


FIG. 4

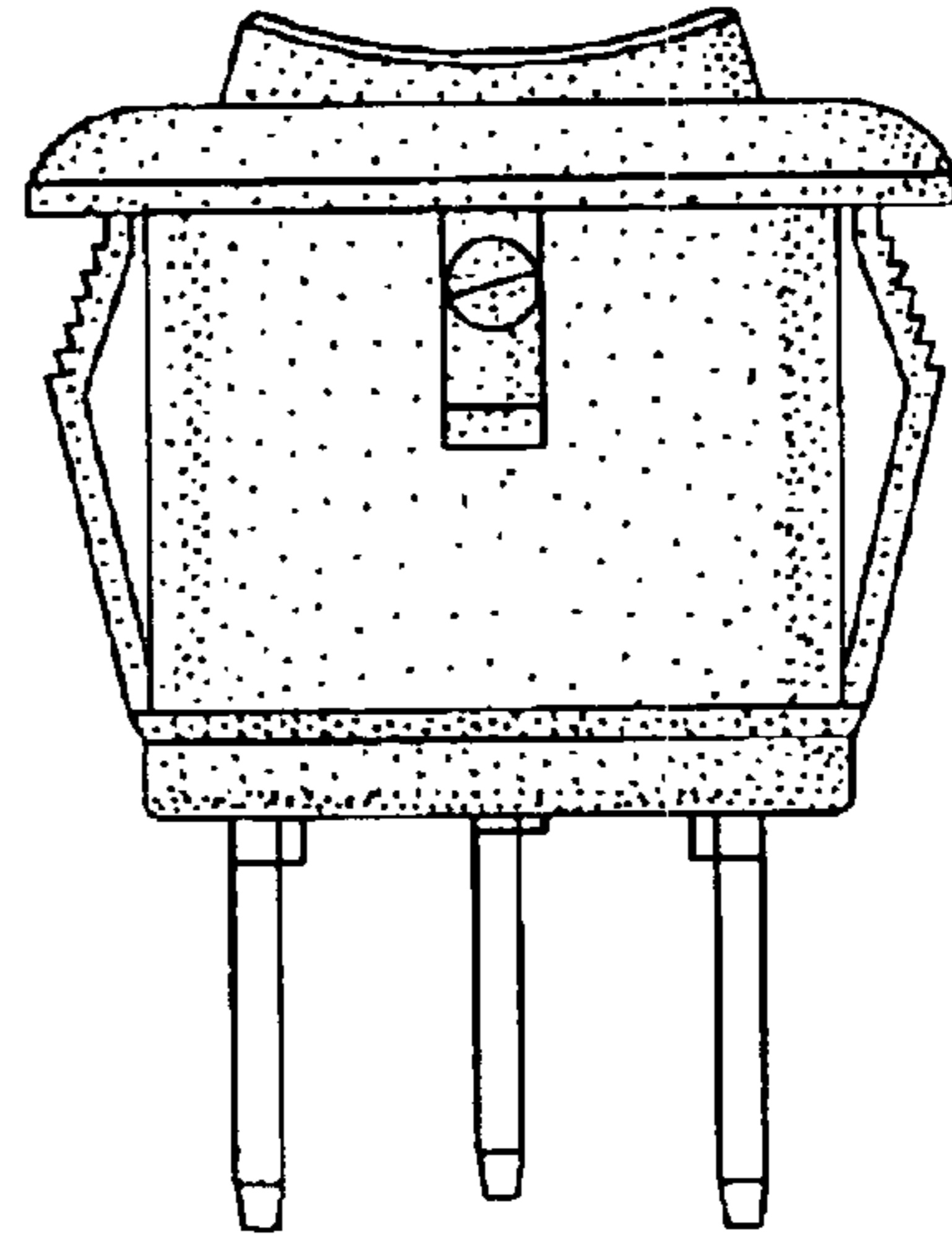


FIG. 5

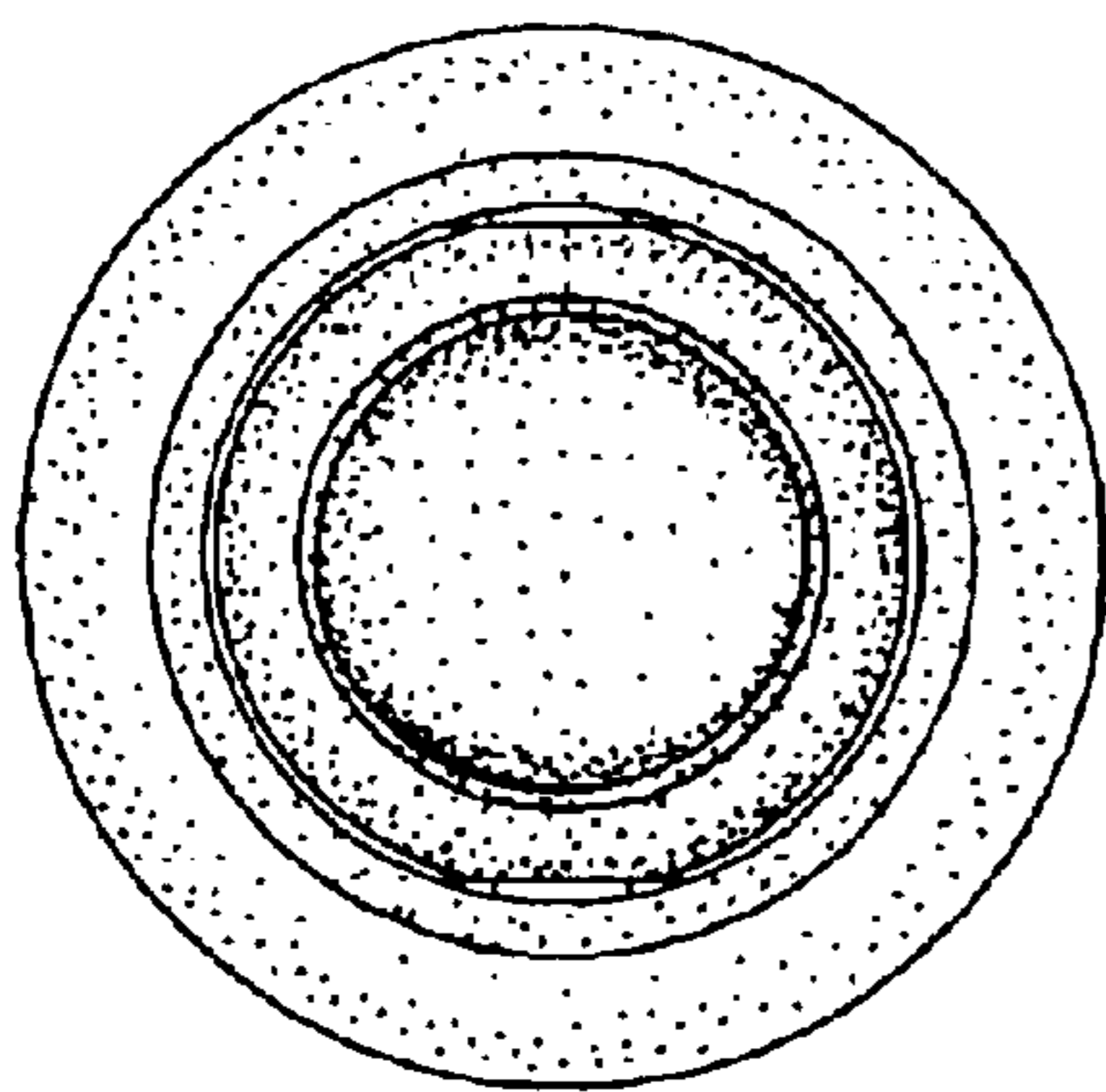


FIG. 6

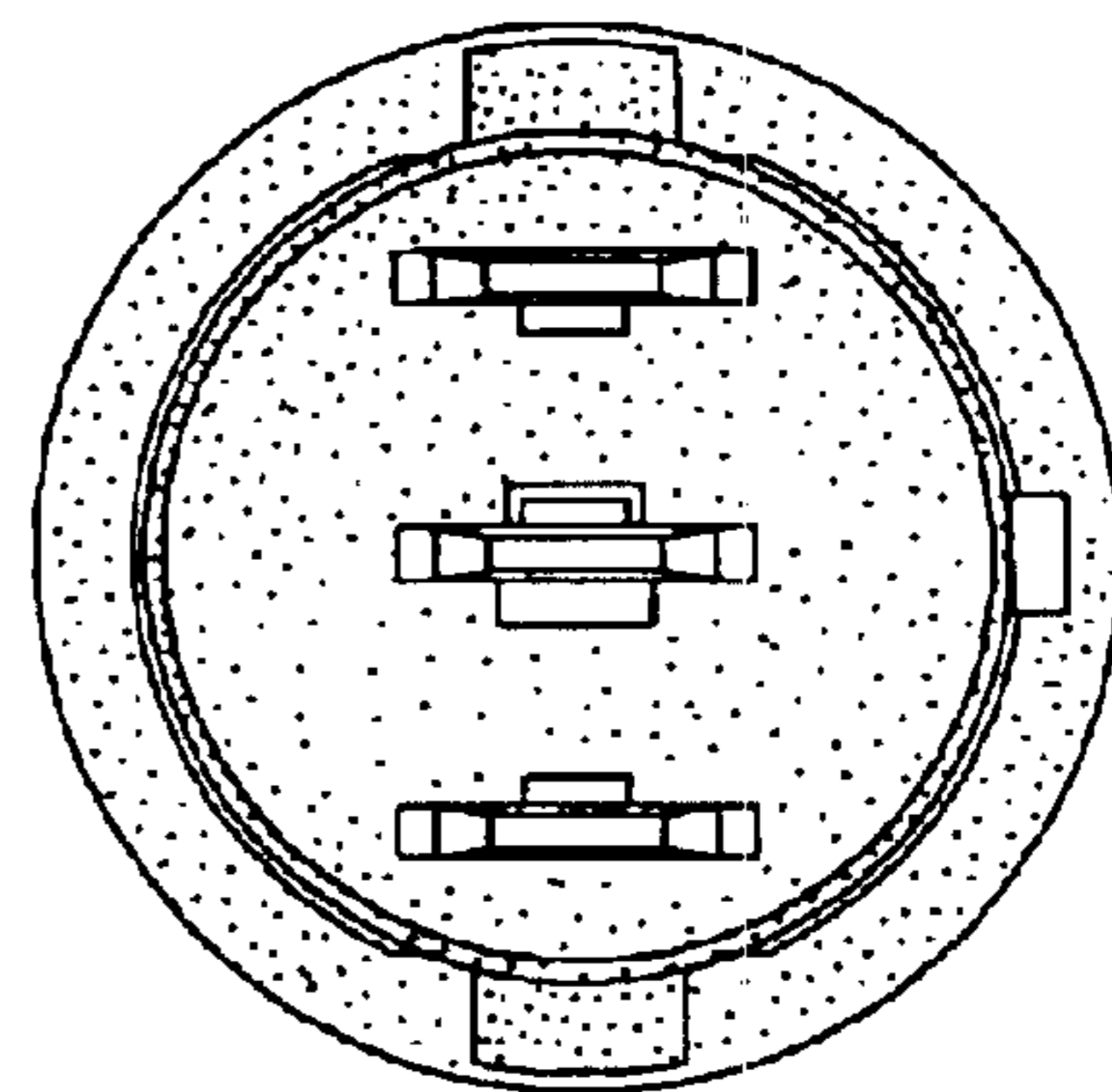


FIG. 7