



US00D496335S1

(12) **United States Design Patent** (10) **Patent No.:** **US D496,335 S**  
**Spira** (45) **Date of Patent:** **\*\* Sep. 21, 2004**

(54) **REMOTE CONTROL**

(75) Inventor: **Joel S. Spira**, Coopersburg, PA (US)

(73) Assignee: **Lutron Electronics, Co. Inc.**,  
Coopersburg, PA (US)

(\*\*) Term: **14 Years**

(21) Appl. No.: **29/193,550**

(22) Filed: **Nov. 10, 2003**

(51) **LOC (7) Cl.** ..... **13-03**

(52) **U.S. Cl.** ..... **D13/168**

(58) **Field of Search** ..... D13/168; D3/208;  
D10/104, 106; D14/155, 218; 340/525,  
825.22, 825.56, 825.69, 825.72, 988; 341/176;  
348/734; 455/90.1, 151.1–151.4, 352–355

(56) **References Cited**

**U.S. PATENT DOCUMENTS**

4,856,081	A	*	8/1989	Smith	.....	455/151.4
D309,890	S	*	8/1990	Cheng	.....	D13/168
D317,593	S	*	6/1991	Rowen	.....	D13/168
D320,786	S	*	10/1991	Darnell et al.	.....	D13/171
5,481,251	A	*	1/1996	Buys et al.	.....	340/825.22
D370,663	S	*	6/1996	Swain et al.	.....	D13/168
D391,924	S	*	3/1998	Mayo et al.	.....	D13/168
D462,332	S	*	9/2002	Mayo et al.	.....	D13/168
6,587,067	B2	*	7/2003	Darbee et al.	.....	341/176
D485,534	S	*	1/2004	Mayo et al.	.....	D13/168

\* cited by examiner

*Primary Examiner*—Prabhakar Deshmukh  
*Assistant Examiner*—Selina Sikder

(74) *Attorney, Agent, or Firm*—Ostrolenk, Faber, Gerb & Soffen, LLP

(57) **CLAIM**

The ornamental design for remote control, as shown and described.

**DESCRIPTION**

FIG. 1 is a of perspective of a remote control in accordance with the present invention.

FIG. 2 is a front elevational view of the remote control of the present invention.

FIG. 3 is a rear elevational view of the remote control of the present invention.

FIG. 4 is a left-hand elevational view of the remote control of the present invention.

FIG. 5 is a right-hand elevational view of the remote control of the present invention.

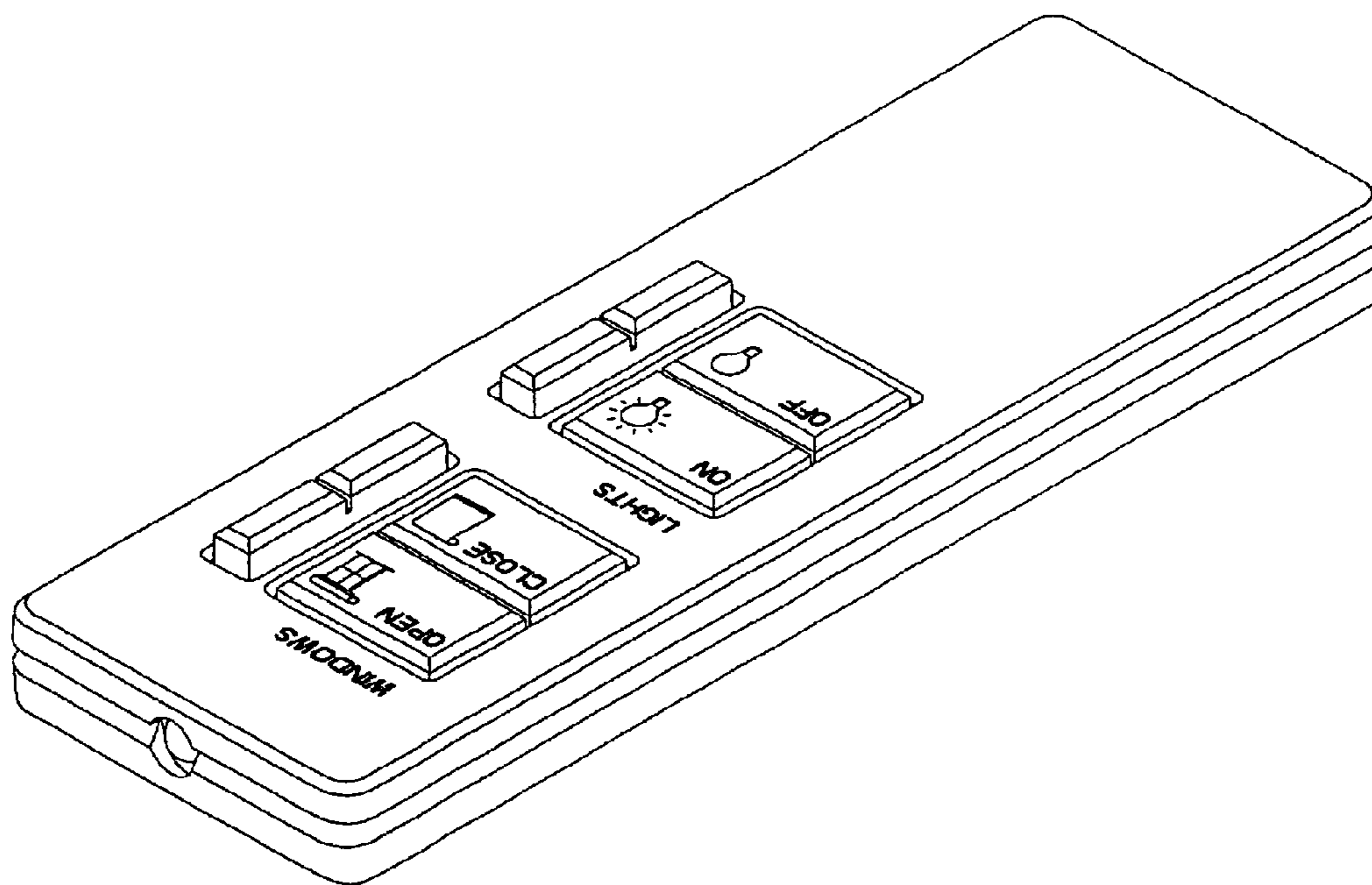
FIG. 6 is a top view of the remote control of the present invention.

FIG. 7 is a bottom view of the remote control of the present invention.

FIG. 8 is a perspective of a second embodiment of the remote control of FIG. 1; and,

FIG. 9 is a front elevational view in accordance with the second embodiment thereof, of the remote control of FIG. 1, with the second embodiment having a rear elevational view, a left hand elevational view, a right hand elevational view, a top view, and a bottom view that correspond, respectively, to FIGS. 3, 4, 5, 6 and 7.

**1 Claim, 9 Drawing Sheets**



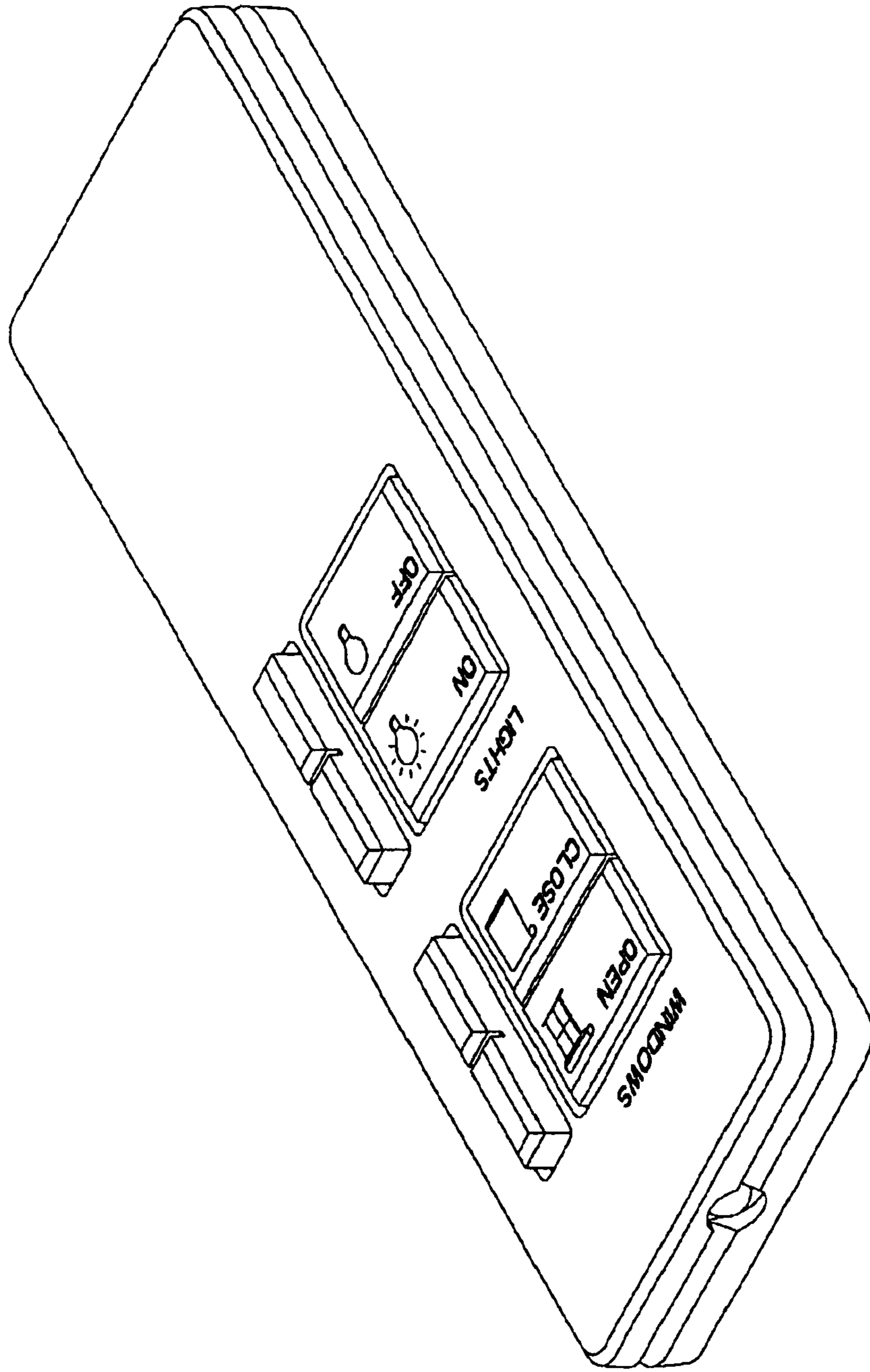


Fig. 1

Fig. 2

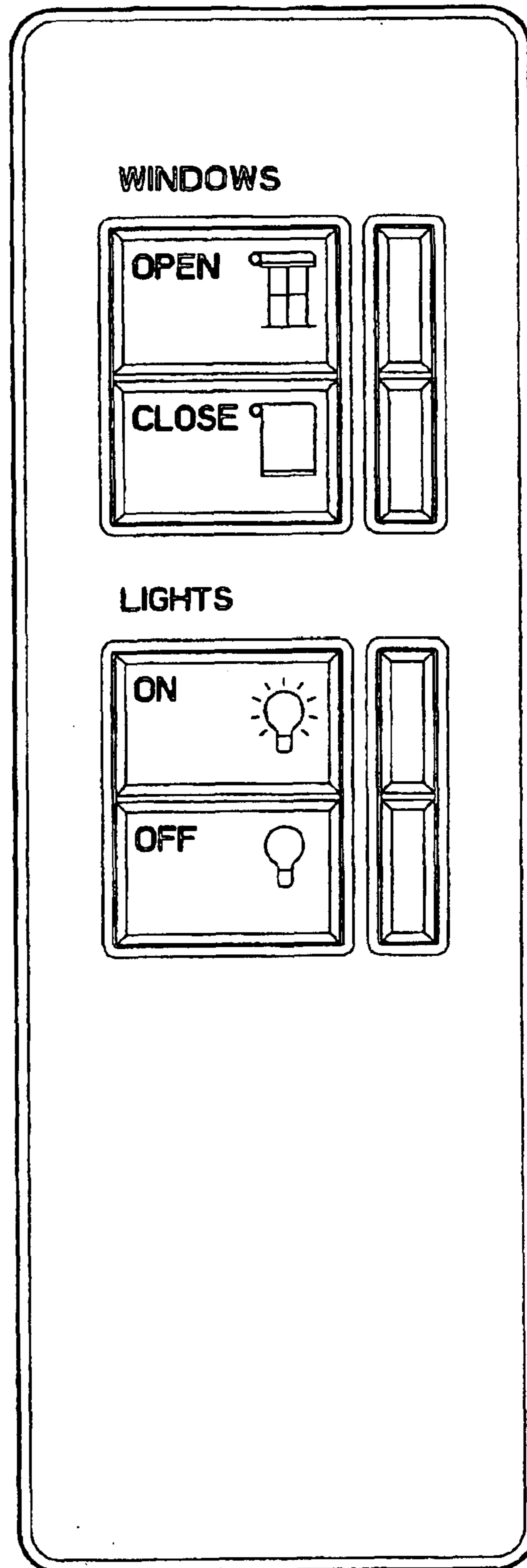


Fig. 3

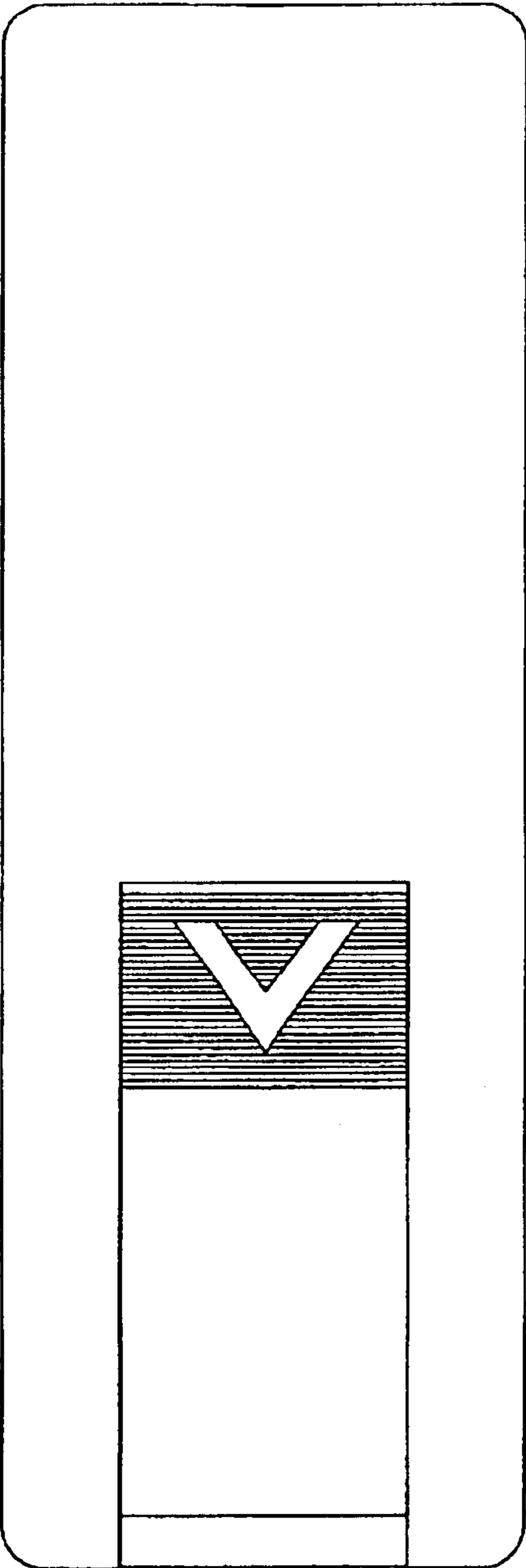


Fig. 4

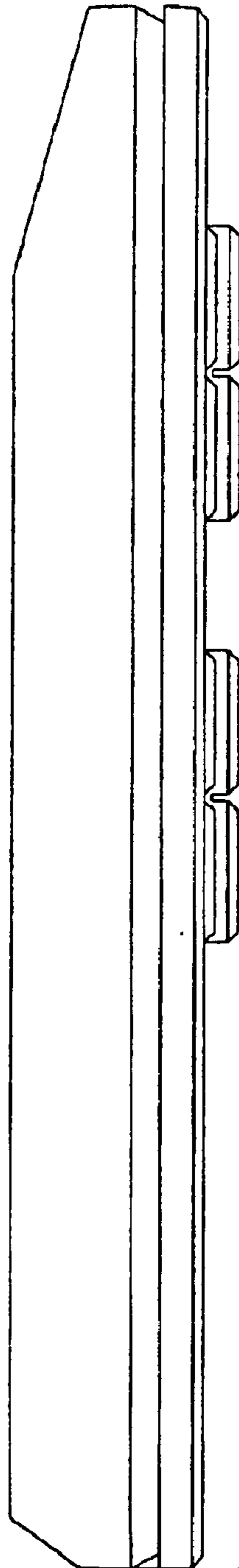


Fig. 5

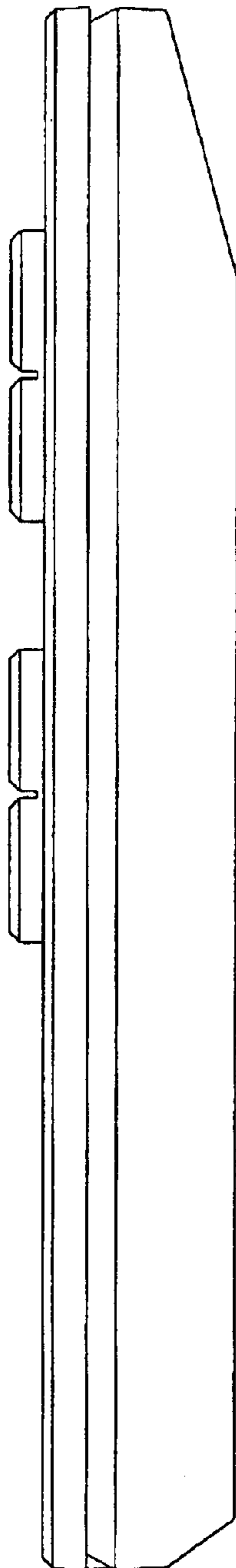


Fig. 6

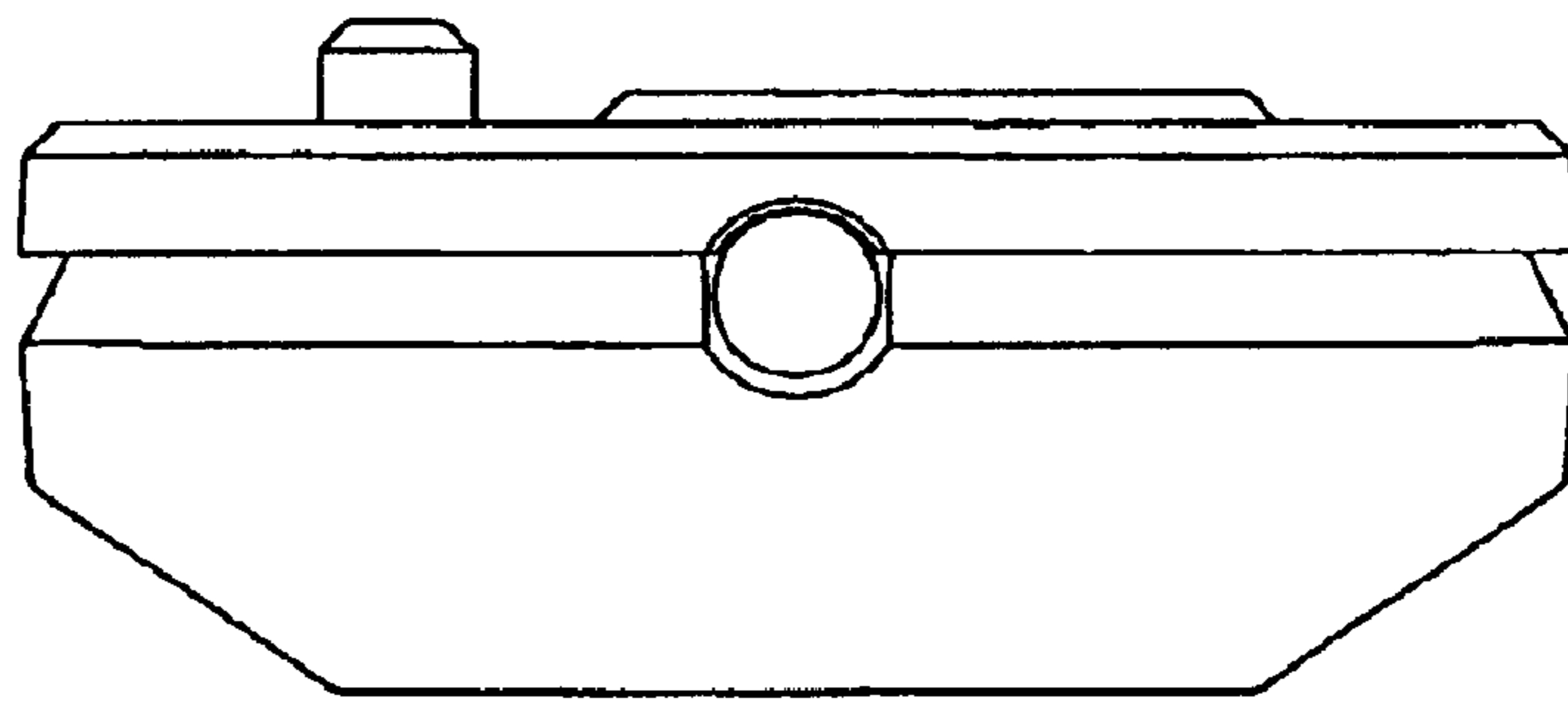
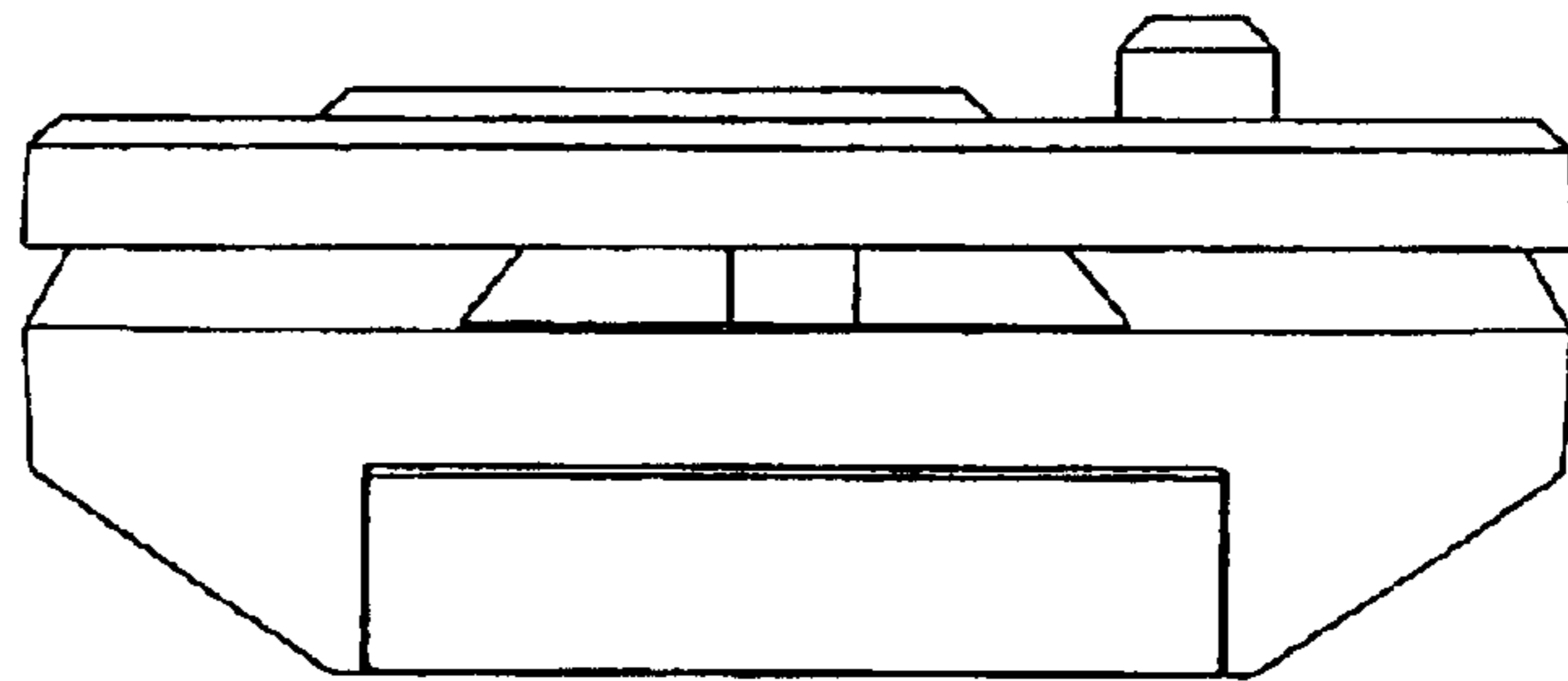


Fig. 7





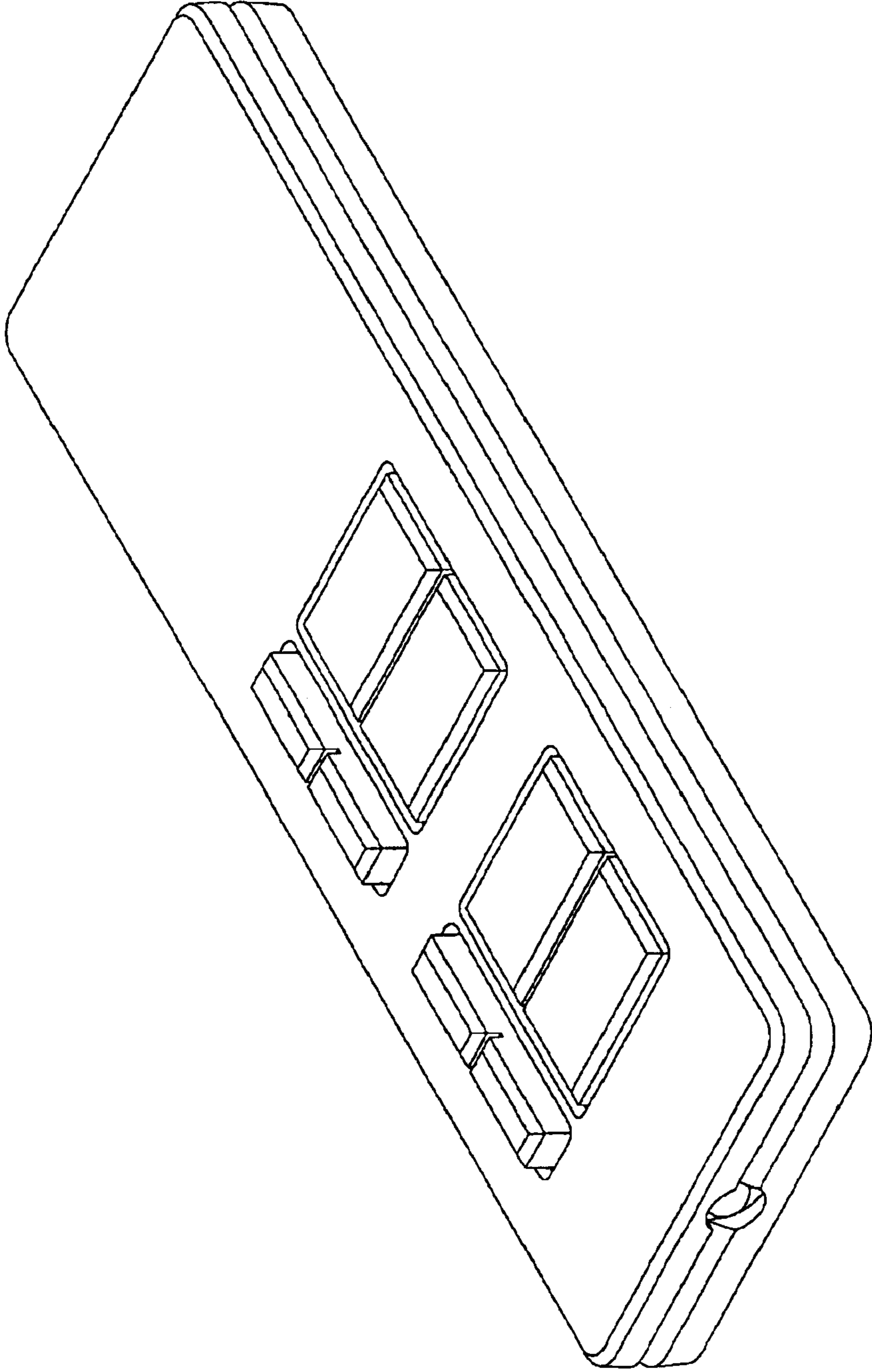


Fig. 8

Fig. 9

