

US00D496333S1

(12) **United States Design Patent** (10) **Patent No.:** **US D496,333 S**
Nan (45) **Date of Patent:** **** Sep. 21, 2004**

(54) **VIBRATOR BATTERY CONTROL BOX**

(75) **Inventor:** **Simon Sui Man Nan**, Richmond Hill (CA)

(73) **Assignee:** **Nanma Manufacturing Co., Ltd.** (HK)

(**) **Term:** **14 Years**

(21) **Appl. No.:** **29/201,430**

(22) **Filed:** **Mar. 16, 2004**

(51) **LOC (7) Cl.** **13-02**

(52) **U.S. Cl.** **D13/103**; D13/119

(58) **Field of Search** D13/103, 110, D13/119; D24/215; 429/96-100, 159, 163, 176; 601/67-72

(56) **References Cited**

U.S. PATENT DOCUMENTS

D249,707 S	9/1978	Burke et al.	
D368,140 S	* 3/1996	Hopper	D24/215
D369,220 S	4/1996	Huang	
D382,645 S	8/1997	Bergeron	
D386,743 S	11/1997	Yao	
D410,748 S	6/1999	Hunsucker et al.	
D414,582 S	9/1999	Hwang	
6,037,078 A	* 3/2000	Siu-Man	429/96
6,220,368 B1	* 4/2001	Ark et al.	173/178
D442,694 S	5/2001	Cheng	
RE37,226 E	* 6/2001	Wheeler et al.	429/98
D443,584 S	6/2001	Breyton	
D449,112 S	10/2001	Tudico	
D450,388 S	11/2001	Nakanishi et al.	
D467,004 S	12/2002	Gerth	
D467,005 S	12/2002	Gerth et al.	
D467,346 S	12/2002	Gerth	
D469,184 S	1/2003	Gerth et al.	
D469,542 S	1/2003	Gerth	
D472,638 S	4/2003	Gerth et al.	
D474,843 S	5/2003	McQueen	

D481,132 S	10/2003	Kim	
D484,851 S	* 1/2004	Voli	D13/103
2002/0127468 A1	* 9/2002	Wani et al.	429/96

OTHER PUBLICATIONS

Item #10-2741 at <http://web.archive.org/web/20030304212705/eroticshopping.com/html/products/2741.html>—Mar. 2003.*

Control Box at <http://web.archive.org/web/20040414064604/http://www.forbiddenvibrations.com/html/products/5158.html>—Mar. 2003.*

Catalog # 2556 at <http://www.xandria.com/shop/product.asp?Cat%5FName=Completely+Unique+Clitoral+Stimulators&pf%5Fid=2556&Product+Name=Flickering+Bunny>—Mar. 2003.*

Vibratex IC-6 Premier at <http://somethingsexyboutique.com/cart/viewitem.cfm?ID=1859>—Mar. 2003.*

* cited by examiner

Primary Examiner—Joel Sincavage

(57) **CLAIM**

The ornamental design for a vibrator battery control box, as shown and described.

DESCRIPTION

FIG. 1 is a view in side elevation from the front of the vibrator, showing my new design.

FIG. 2 is a view in side elevation from the back thereof, rotated 180° from that shown in FIG. 1.

FIG. 3 is a view in side elevation thereof, rotated 90° to the right from that shown in FIG. 1.

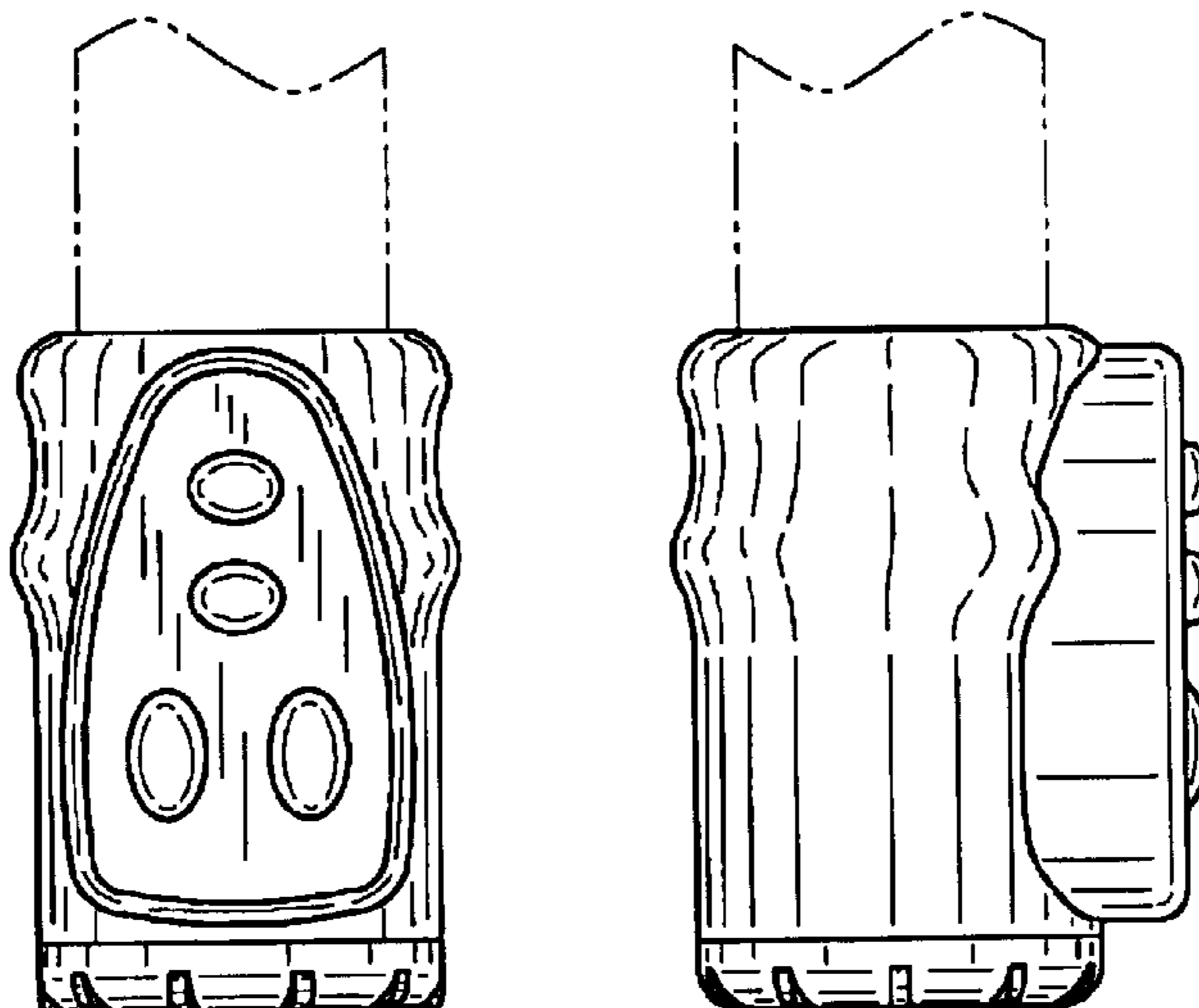
FIG. 4 is a view in side elevation thereof, rotated 90° to the left from that shown in FIG. 1.

FIG. 5 is a top plan view thereof; and,

FIG. 6 is a bottom plan view thereof.

The broken lines are for illustrative purpose only and form no part of the claimed design.

1 Claim, 1 Drawing Sheet



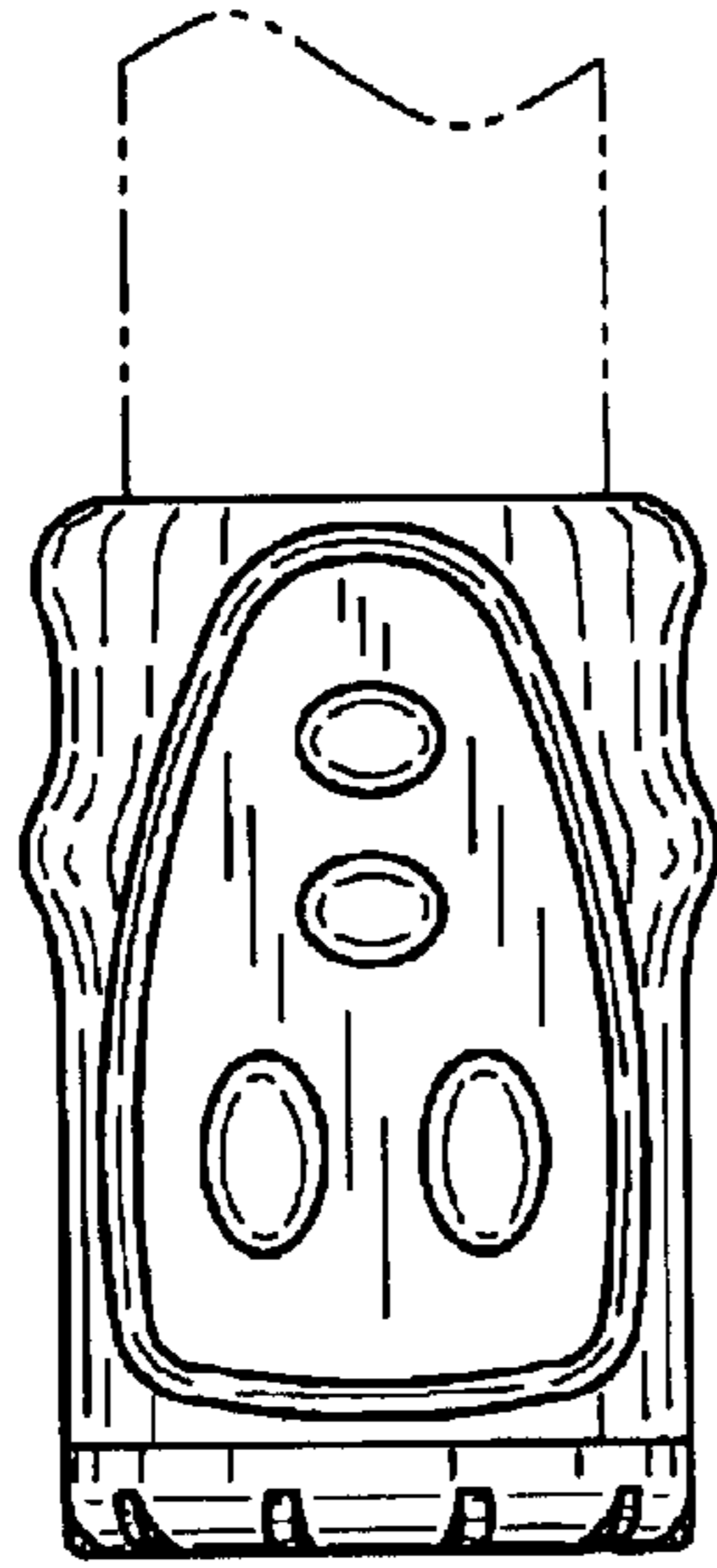


FIG. 1

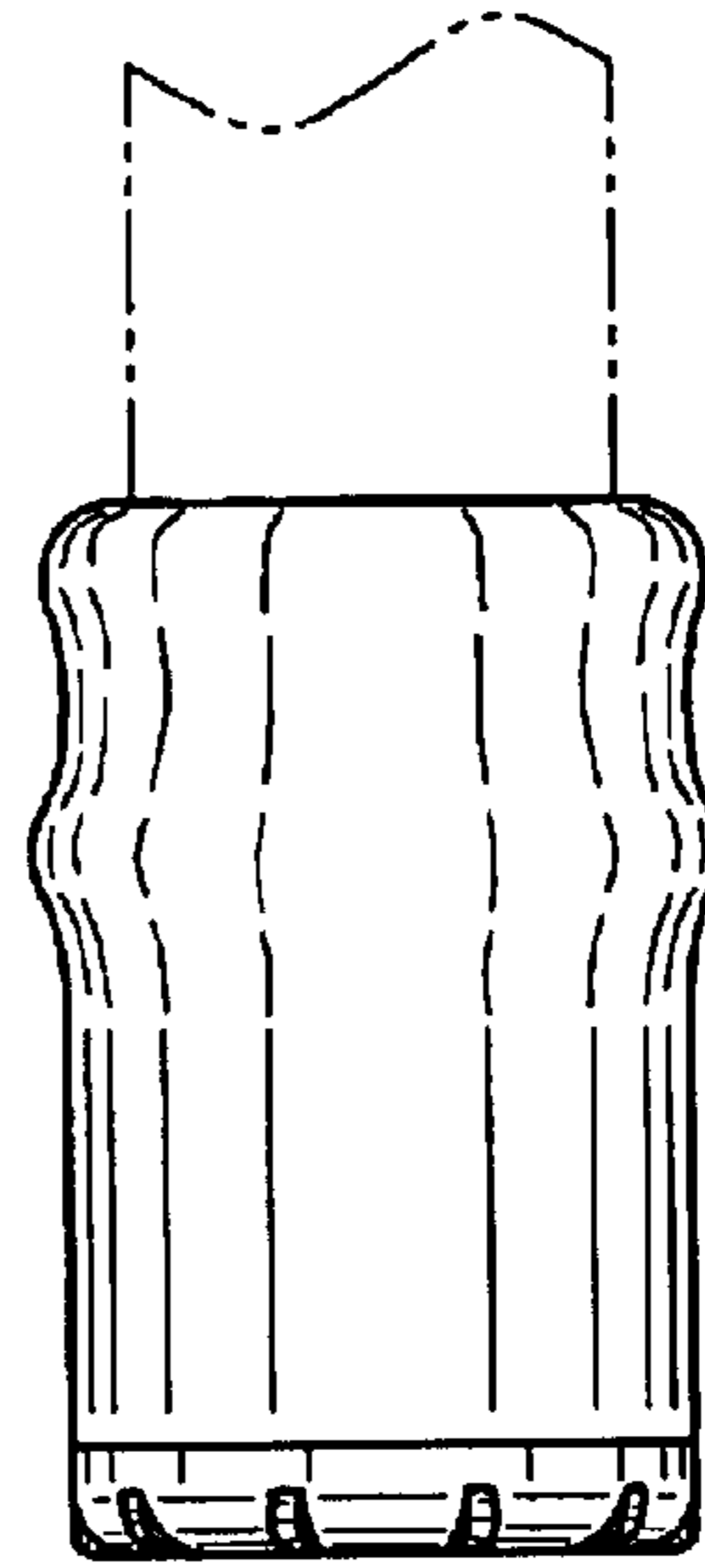


FIG. 2

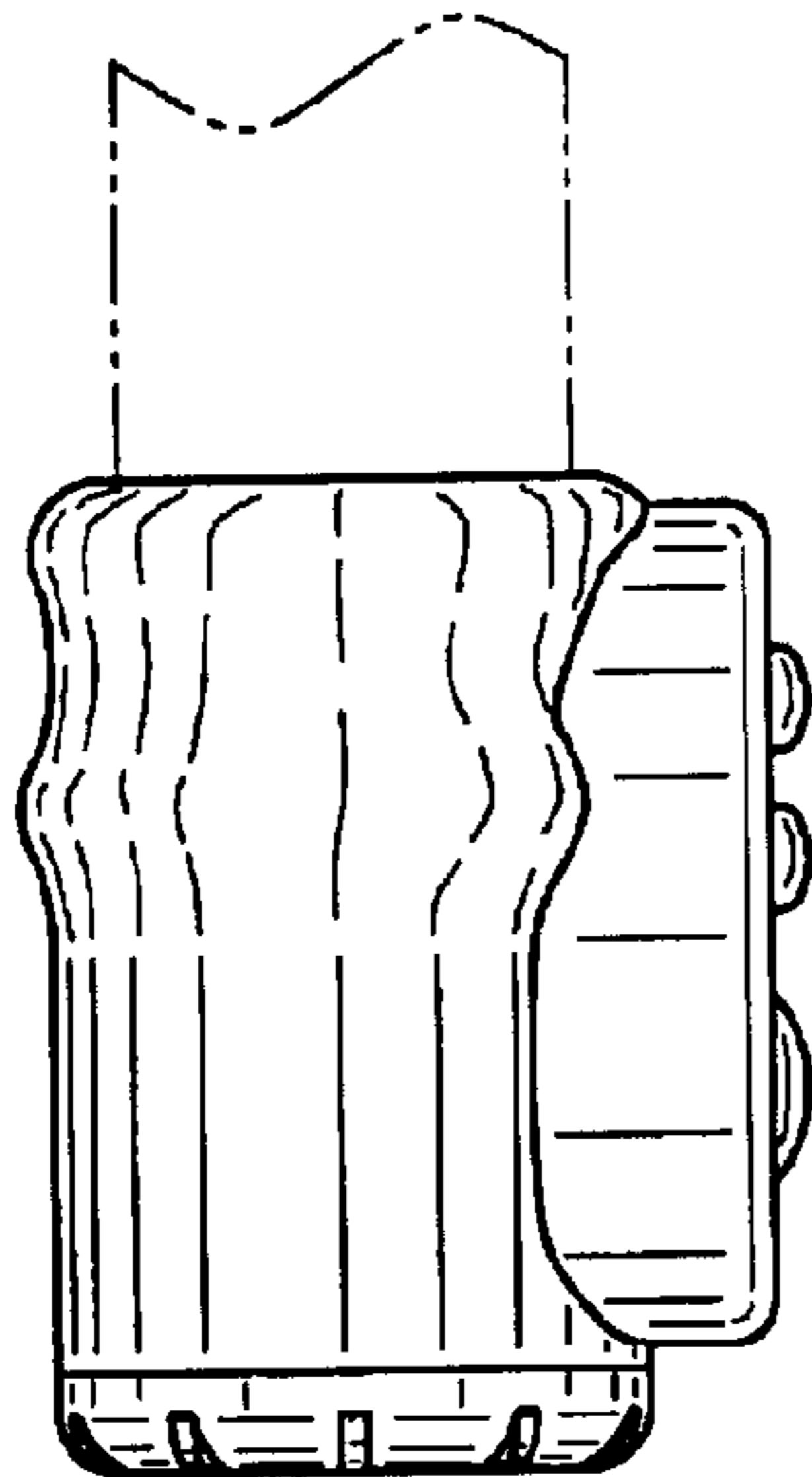


FIG. 3

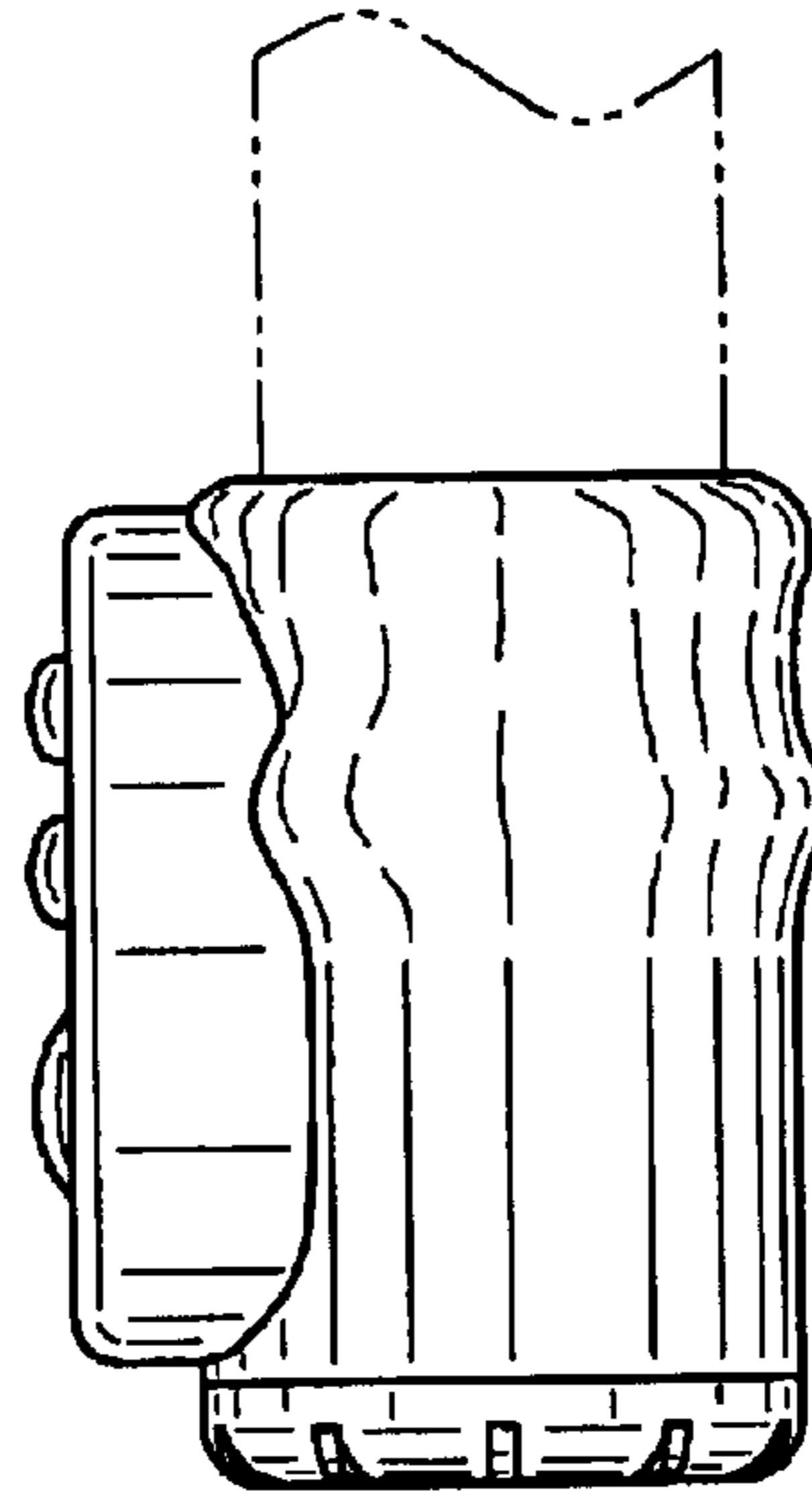


FIG. 4

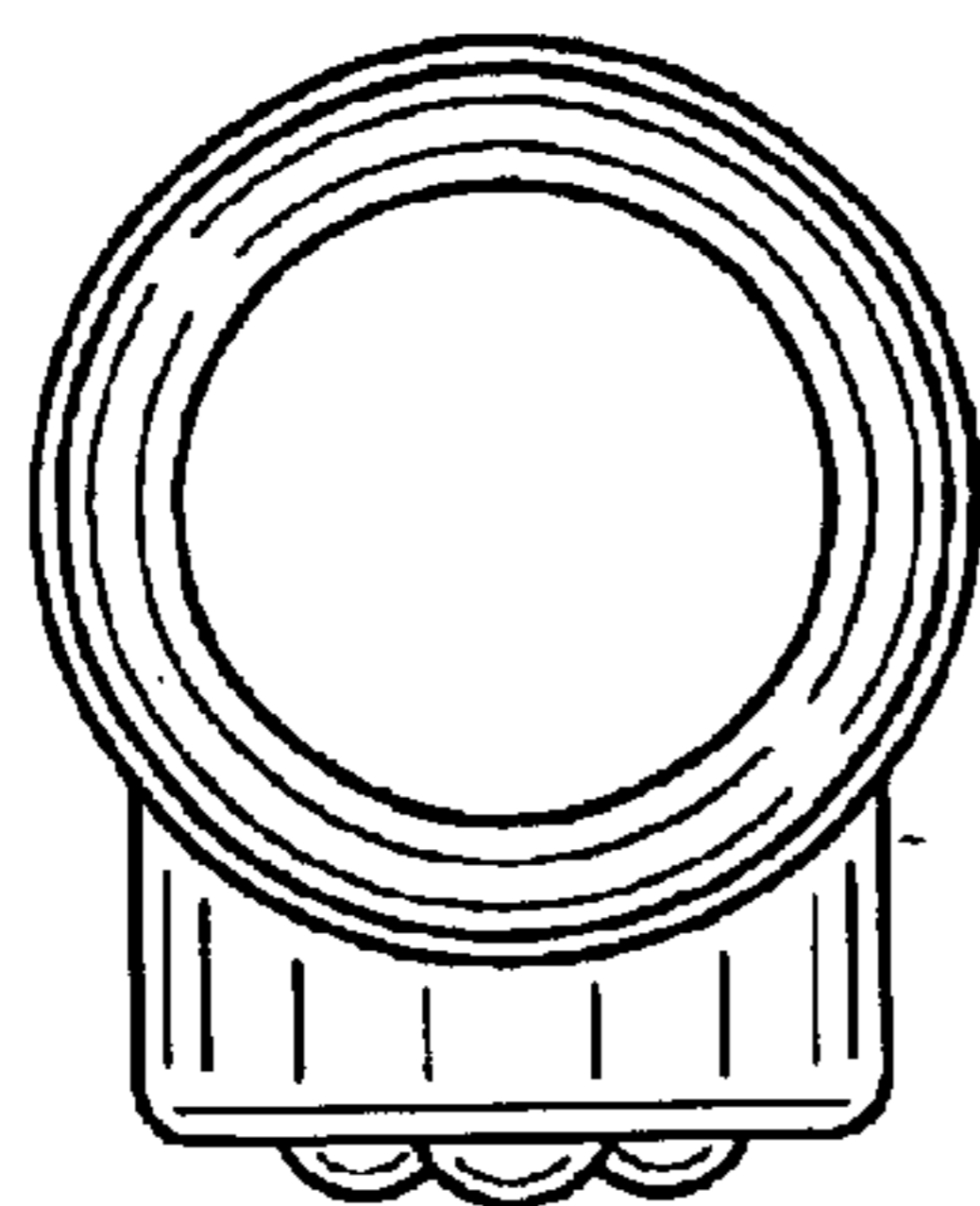


FIG. 5

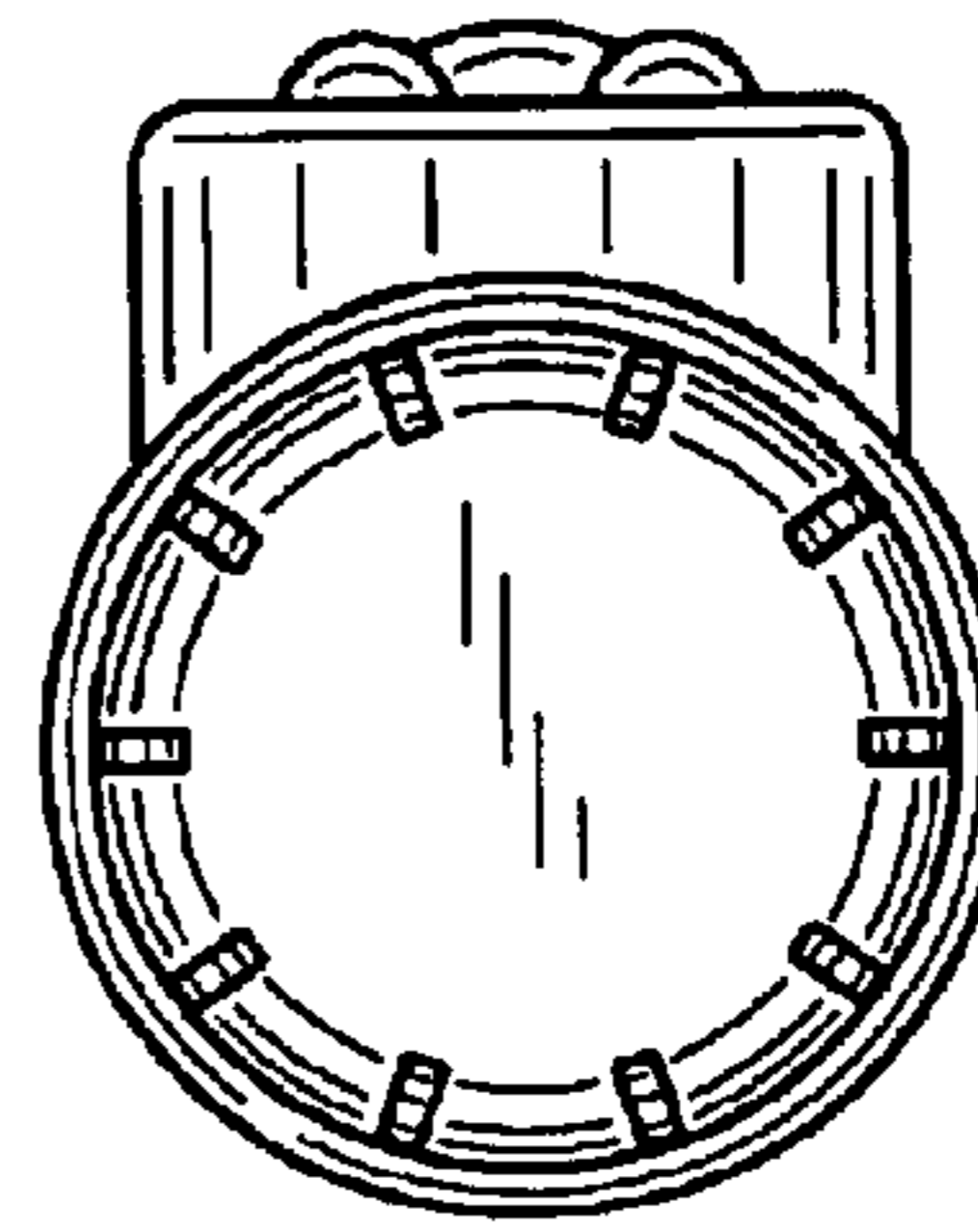


FIG. 6