

US00D496332S1

(12) **United States Design Patent** (10) **Patent No.:** **US D496,332 S**
Naito (45) **Date of Patent:** **** Sep. 21, 2004**

(54) **BATTERY PACK FOR A CAMERA**

DESCRIPTION

- (75) Inventor: **Yoshitaka Naito**, Ome (JP)
(73) Assignee: **Olympus Corporation**, Tokyo (JP)
(**) Term: **14 Years**
(21) Appl. No.: **29/194,166**
(22) Filed: **Nov. 20, 2003**
(51) **LOC (7) Cl.** **13-02**
(52) **U.S. Cl.** **D13/103; D16/219**
(58) **Field of Search** **D13/103, 110,**
D13/119; D16/219, 237; 429/96-100, 159,
163, 176

(56) **References Cited**

U.S. PATENT DOCUMENTS

4,269,498	A	*	5/1981	Suzuki et al.	396/388
4,349,262	A	*	9/1982	Watanabe	396/388
5,325,143	A	*	6/1994	Kawano	396/59
6,118,949	A	*	9/2000	Ohtani	396/277
6,169,857	B1	*	1/2001	Kaneko	396/301
6,327,441	B1	*	12/2001	Alligood	396/539
D456,348	S	*	4/2002	Funakoshi	D13/103
D481,007	S	*	10/2003	Takahashi	D13/103

* cited by examiner

Primary Examiner—Joel Sincavage
(74) *Attorney, Agent, or Firm*—Hogan & Hartson LLP

(57) **CLAIM**

The ornamental design for a battery pack for a camera, as shown and described.

FIG. 1 is a perspective view showing an embodiment of a battery pack for a camera that is our novel design as seen obliquely from the front upper left side thereof;

FIG. 2 is a perspective view as seen obliquely from the rear lower left side thereof;

FIG. 3 is a front view thereof;

FIG. 4 is a rear view thereof;

FIG. 5 is a plan view thereof;

FIG. 6 is a bottom plan view thereof;

FIG. 7 is a right side view thereof;

FIG. 8 is a left side view thereof;

FIG. 9 is a perspective view for reference showing the state of having mounted the battery pack for a camera of the embodiment to a camera body as seen obliquely from the rear lower left side thereof, in which the portion indicated by solid lines is the one for which the right as the design invention is sought while the portion indicated by dotted lines is not the one for which the right as the design invention is sought; and,

FIG. 10 is a perspective view for reference as seen obliquely from the front upper left side thereof, in which the portion indicated by solid lines is the one for which the right as the design invention is sought while the portion indicated by dotted lines is not the one for which the right as the design invention is sought.

The broken lines showing the camera body are included for the purpose of illustrating environmental structure and form no part of the claimed design.

1 Claim, 9 Drawing Sheets

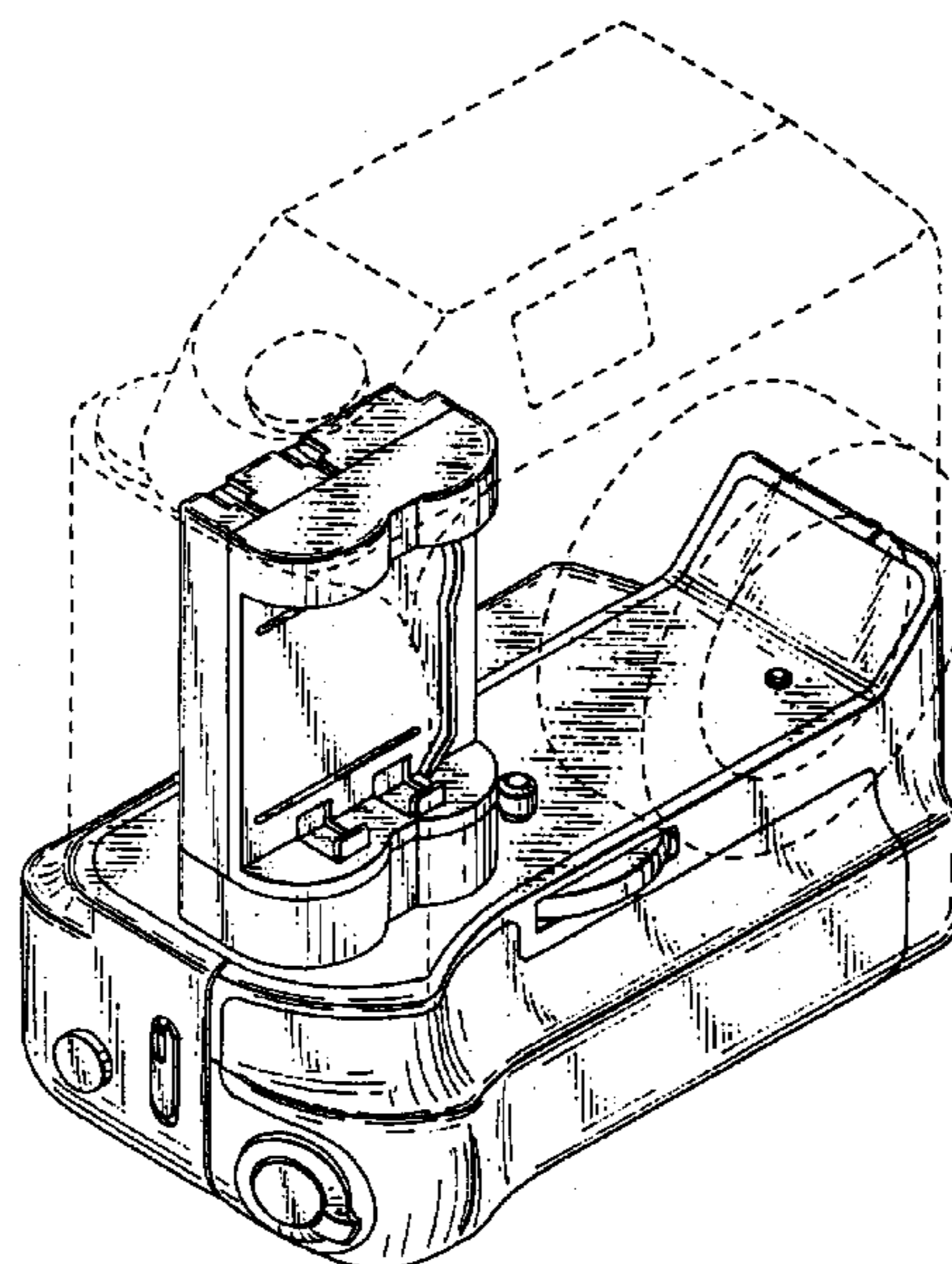


FIG. 1

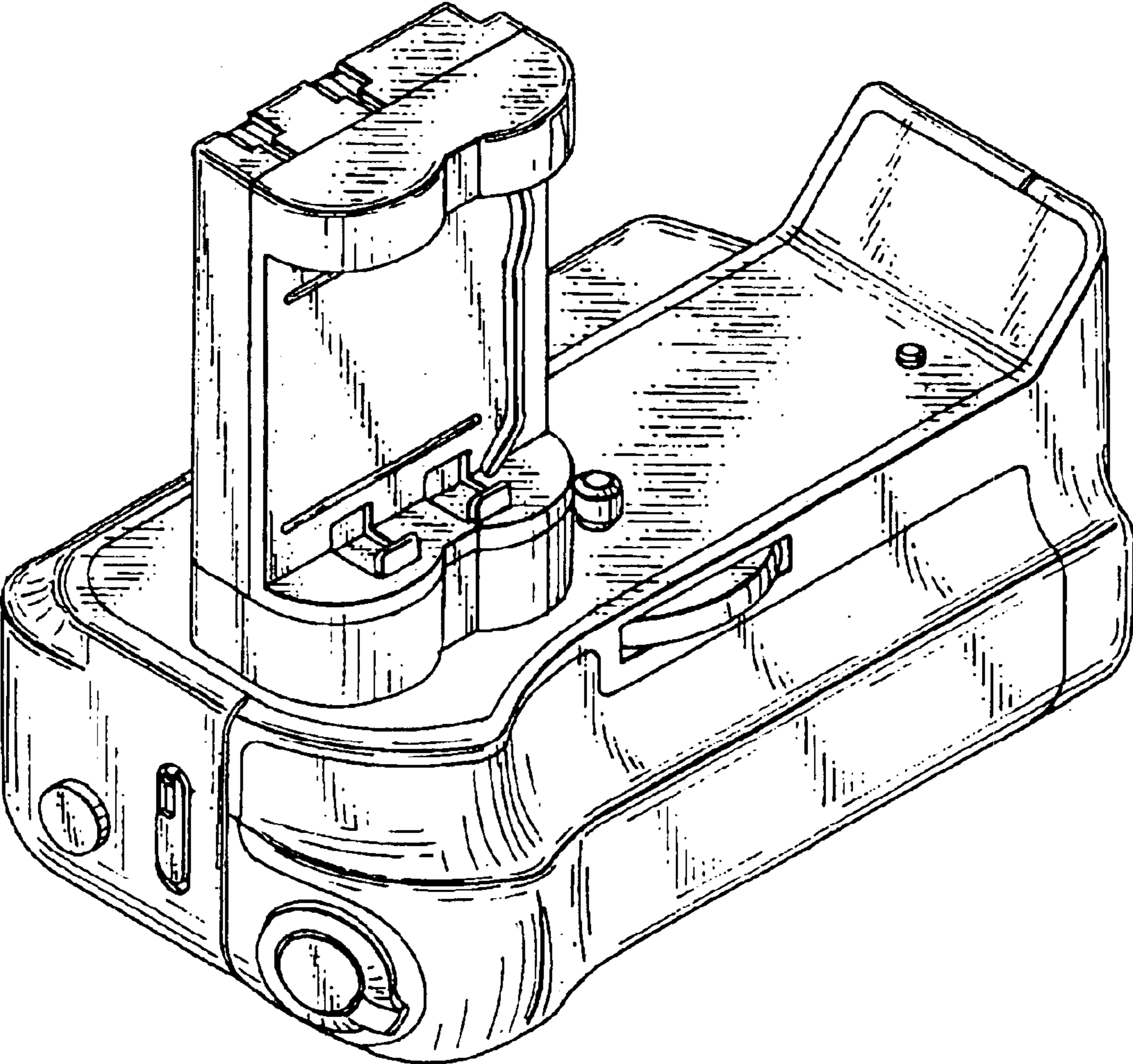


FIG.2

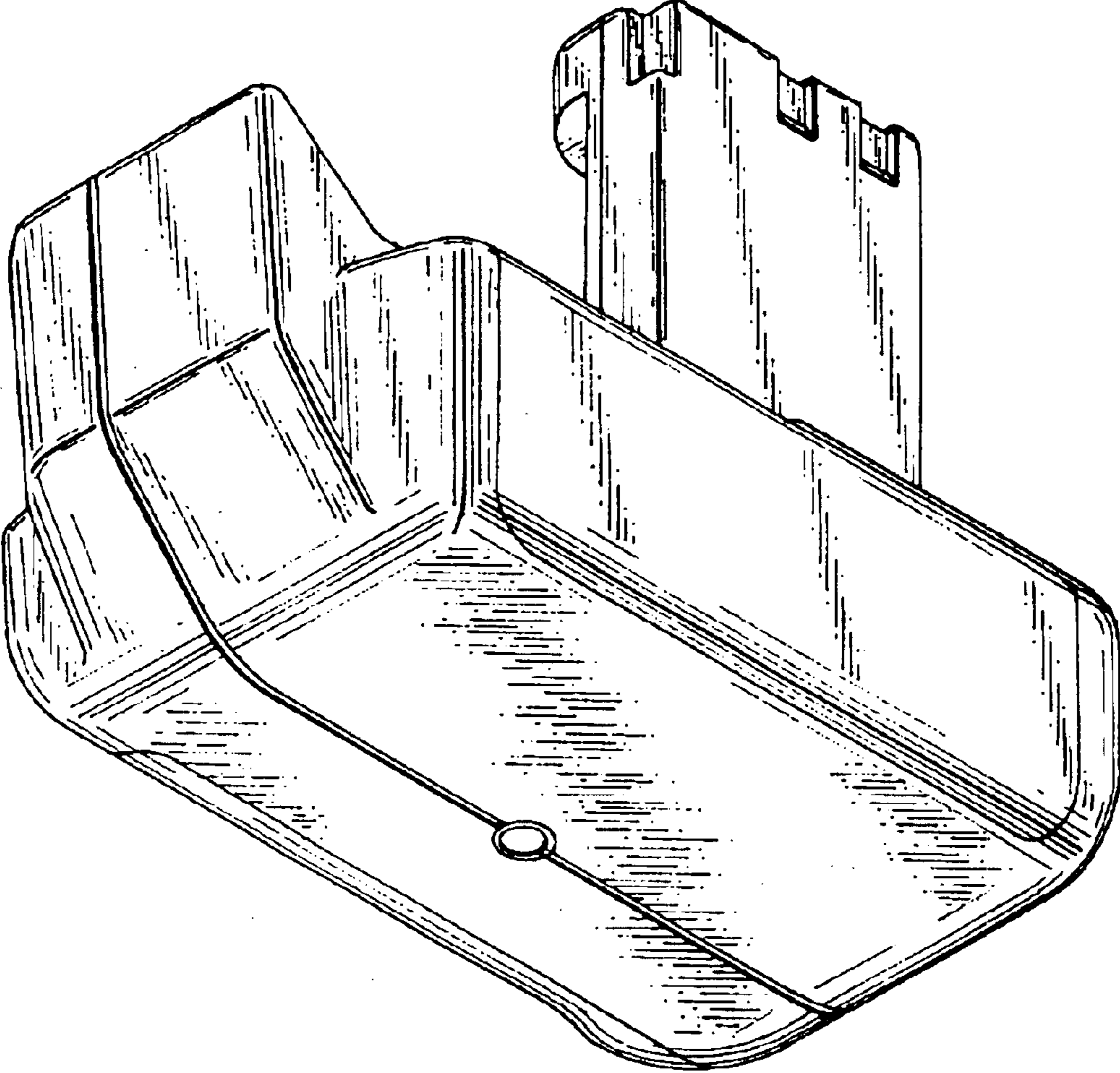


FIG.3

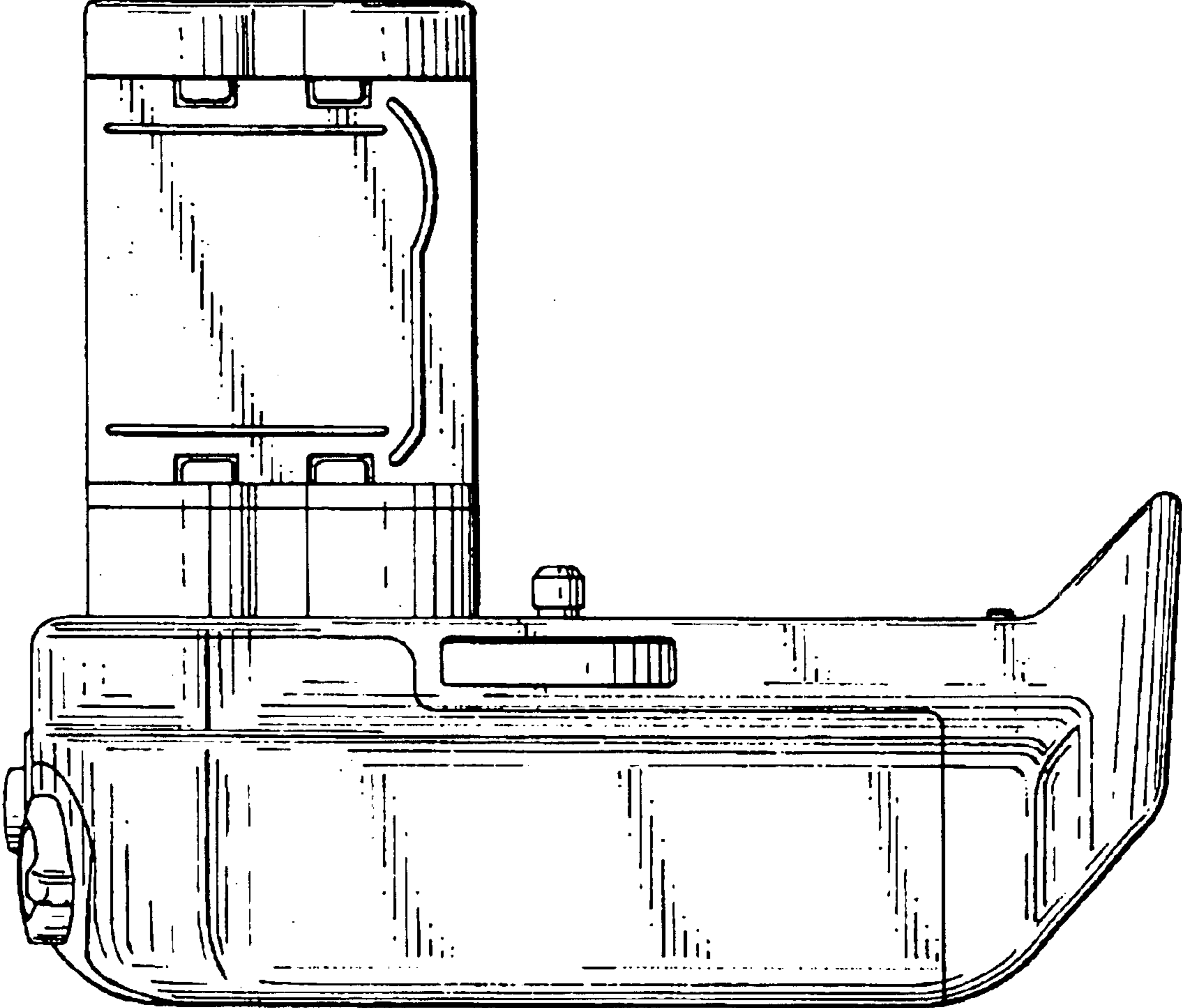


FIG.4

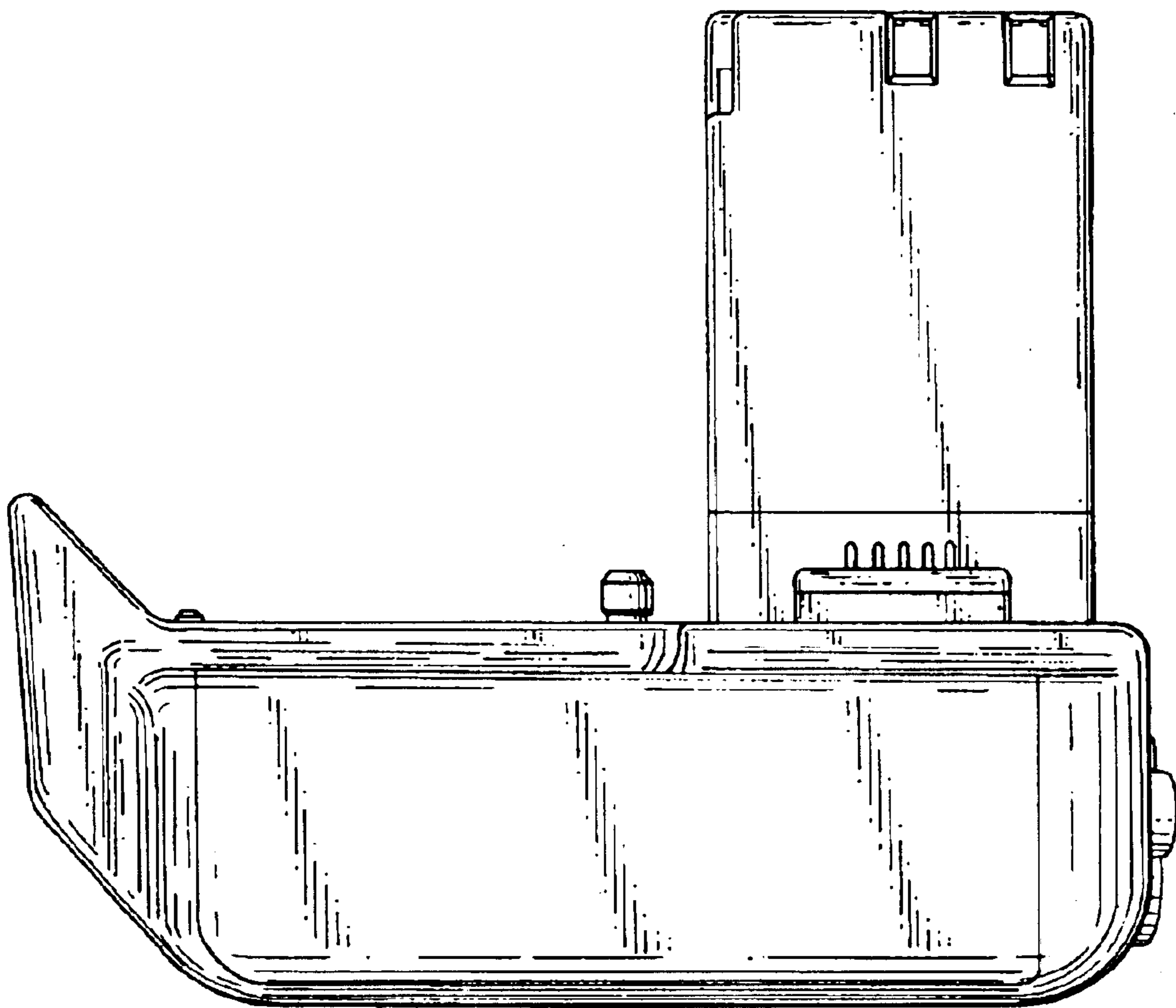


FIG.5

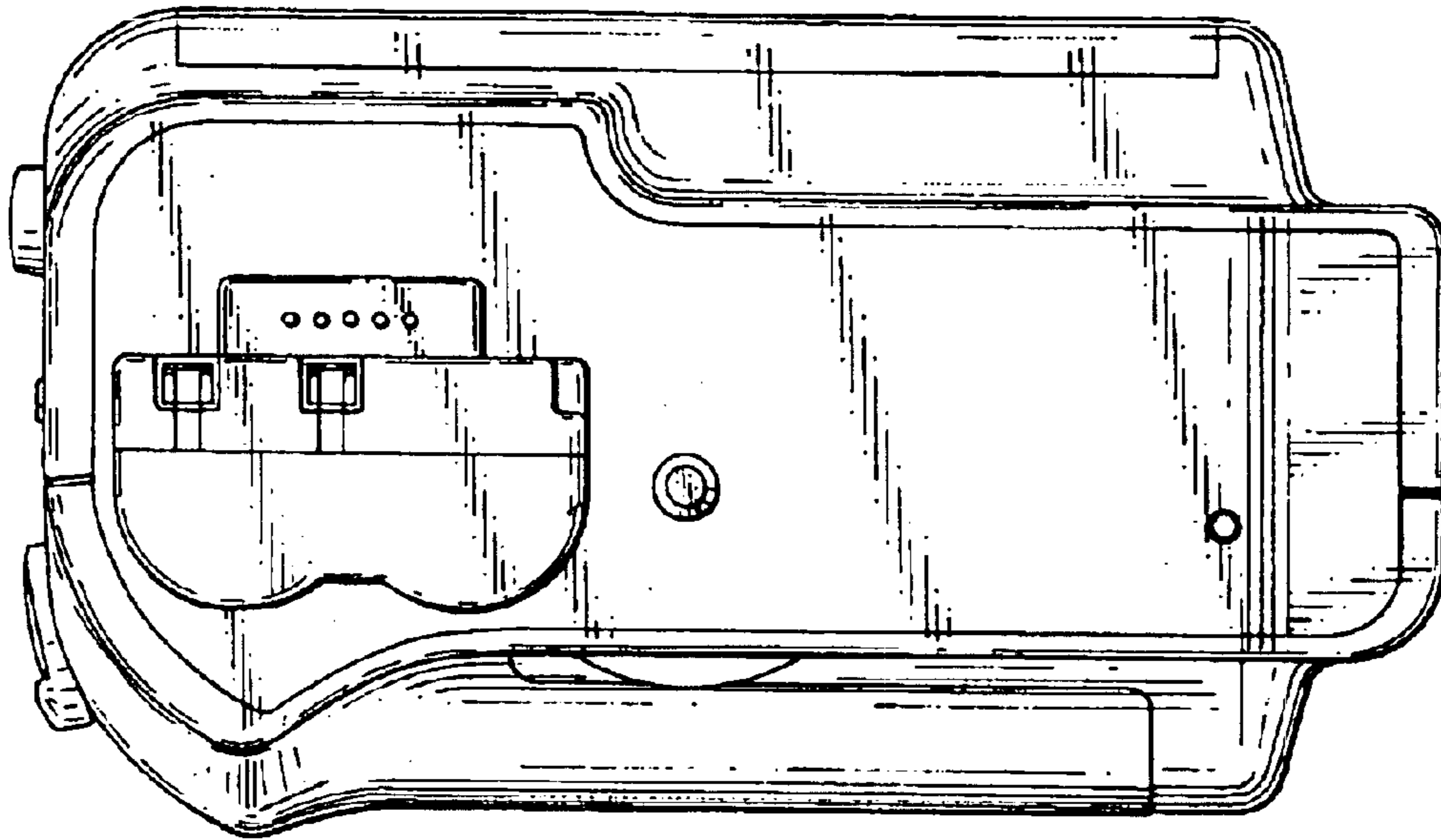


FIG.6

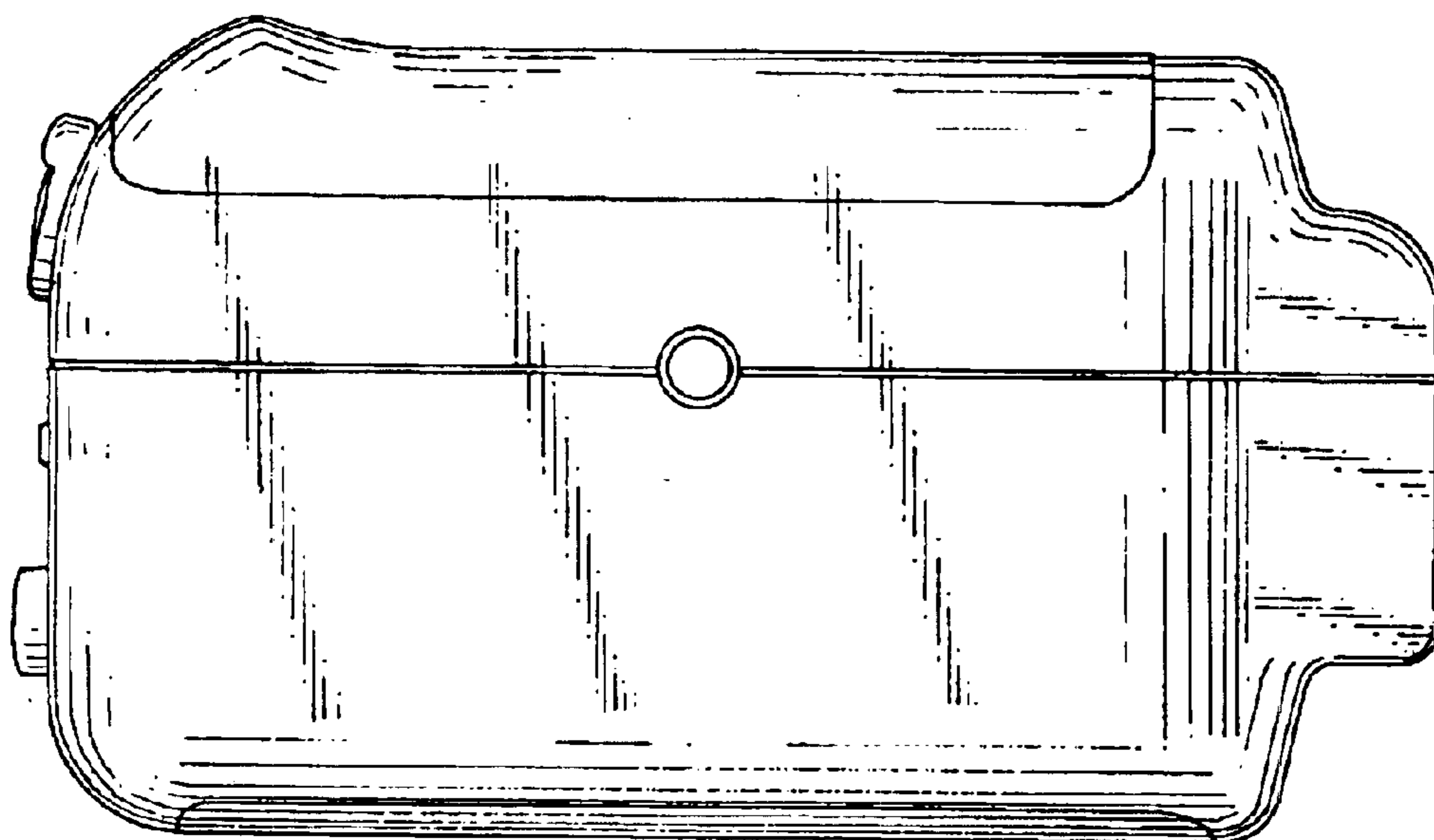


FIG.7

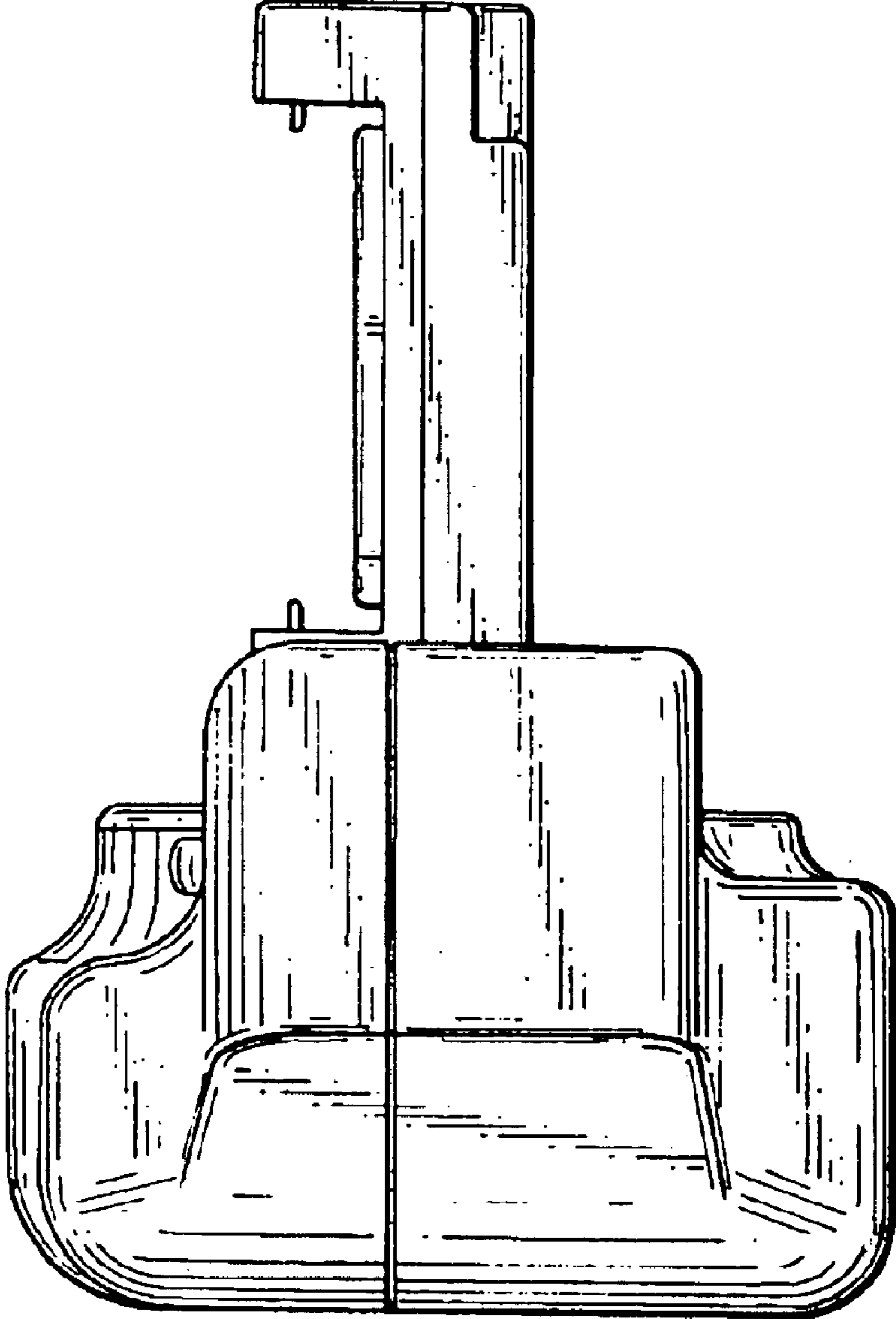


FIG.8

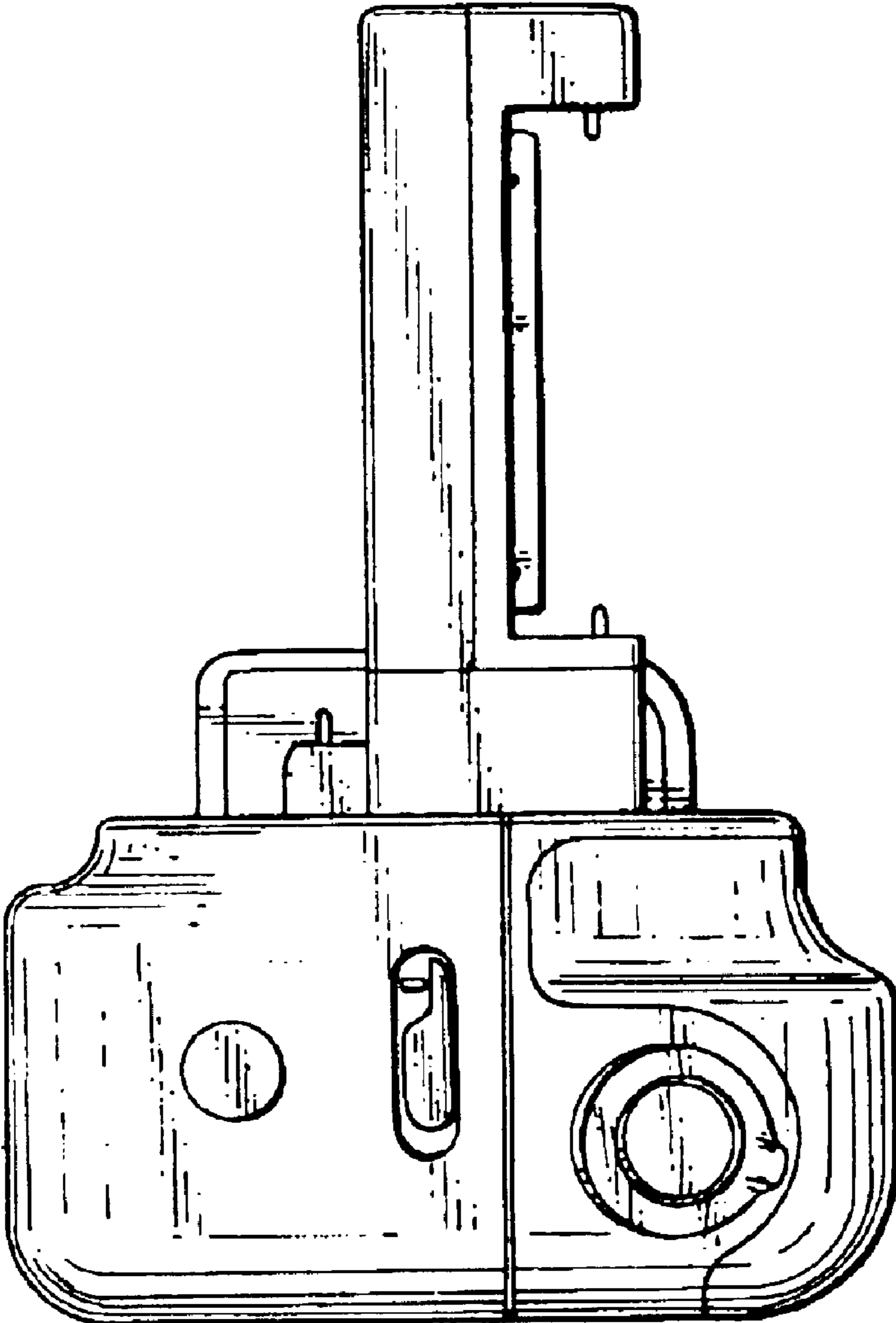


FIG.9

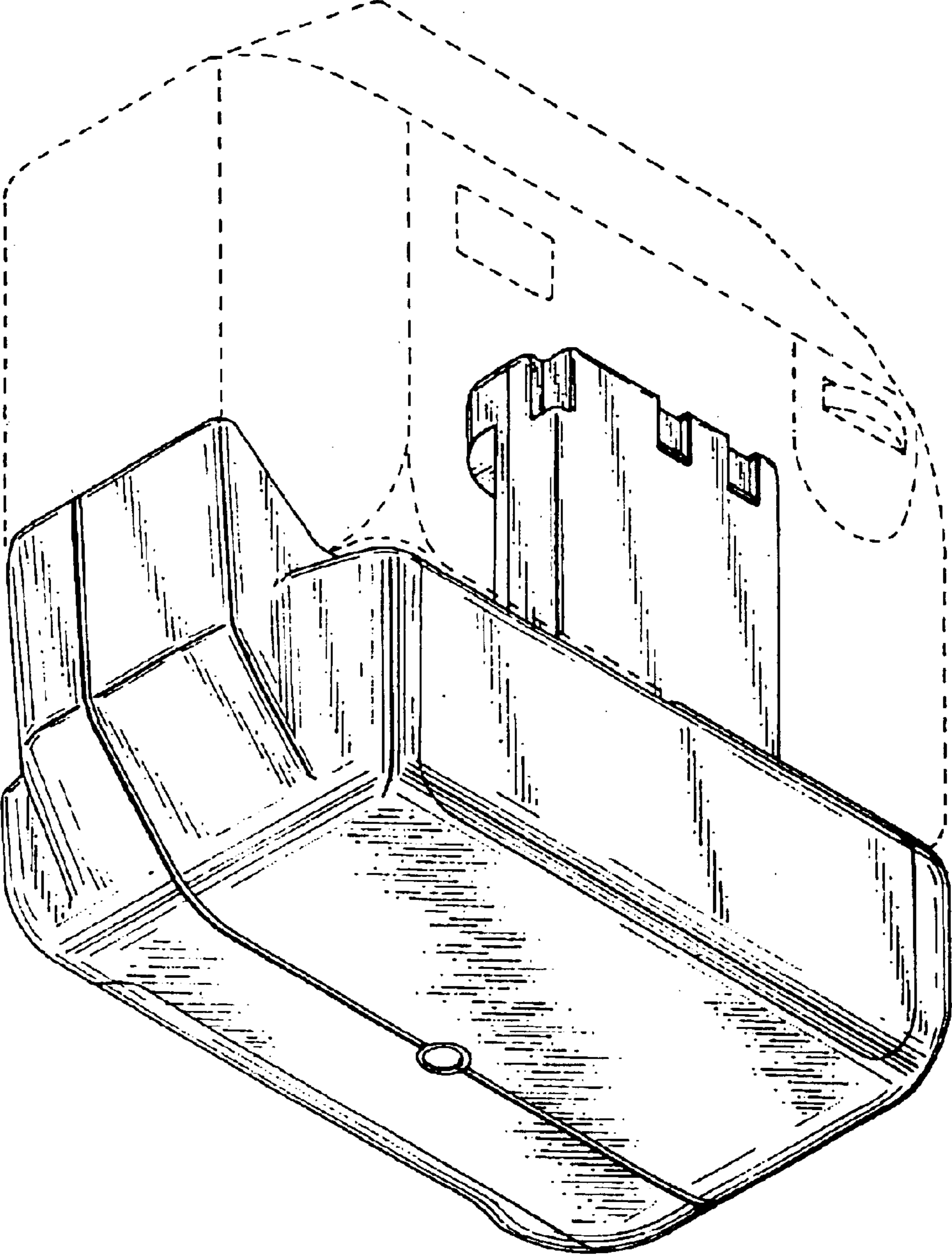


FIG.10

