

US00D496323S1

(12) **United States Design Patent**  
**Buseman et al.**

(10) **Patent No.:** **US D496,323 S**

(45) **Date of Patent:** **\*\* Sep. 21, 2004**

(54) **CAR TOP CARRIER**

(76) Inventors: **Eric N. Buseman**, 1369 NW. 137th Ct.,  
Clive, IA (US) 50325; **Patrick D.**  
**Watson**, 40808 N. Apollo Way, Anthen,  
AZ (US) 85086

(\*\*) **Term:** **14 Years**

(21) **Appl. No.:** **29/201,068**

(22) **Filed:** **Mar. 8, 2004**

(51) **LOC (7) Cl.** ..... **12-16**

(52) **U.S. Cl.** ..... **D12/412**

(58) **Field of Search** ..... D12/406, 412,  
D12/414, 414.1; 293/37.1, 3, 100; 224/309-310,  
315-316, 323-329, 400; D6/552; D3/304-306;  
280/760-762, 848, 727, 769

(56) **References Cited**

**U.S. PATENT DOCUMENTS**

D182,705 S	*	5/1958	Binding	.....	D12/412
D201,013 S	*	5/1965	Duer	.....	D12/412
D216,256 S	*	12/1969	Hutchins	.....	D12/412
D239,618 S	*	4/1976	Duer	.....	D12/412
D246,238 S	*	11/1977	Boas	.....	D12/412
D314,542 S	*	2/1991	Bott	.....	D12/412
D318,639 S	*	7/1991	Santoro et al.	.....	D12/412
D330,355 S	*	10/1992	Stapleton et al.	.....	D12/412

D334,162 S	*	3/1993	Cucheran et al.	.....	D12/412
D406,557 S	*	3/1999	Bentley	.....	D12/412
D413,562 S	*	9/1999	Van Dusen et al.	.....	D12/412
D422,553 S	*	4/2000	VonDuyke	.....	D12/412
D434,718 S	*	12/2000	Kreisler	.....	D12/412
D435,510 S	*	12/2000	Quidort	.....	D12/412
D454,329 S	*	3/2002	Buseman	.....	D12/412
D470,451 S	*	2/2003	Bushart et al.	.....	D12/412
D481,003 S	*	10/2003	Bauer et al.	.....	D12/412

\* cited by examiner

*Primary Examiner*—Stacia Cadmus

(74) *Attorney, Agent, or Firm*—Sturm & Fix LLP

(57) **CLAIM**

The ornamental design for a car top carrier, as shown and described.

**DESCRIPTION**

FIG. 1 is a perspective view of the car top carrier showing our new design;

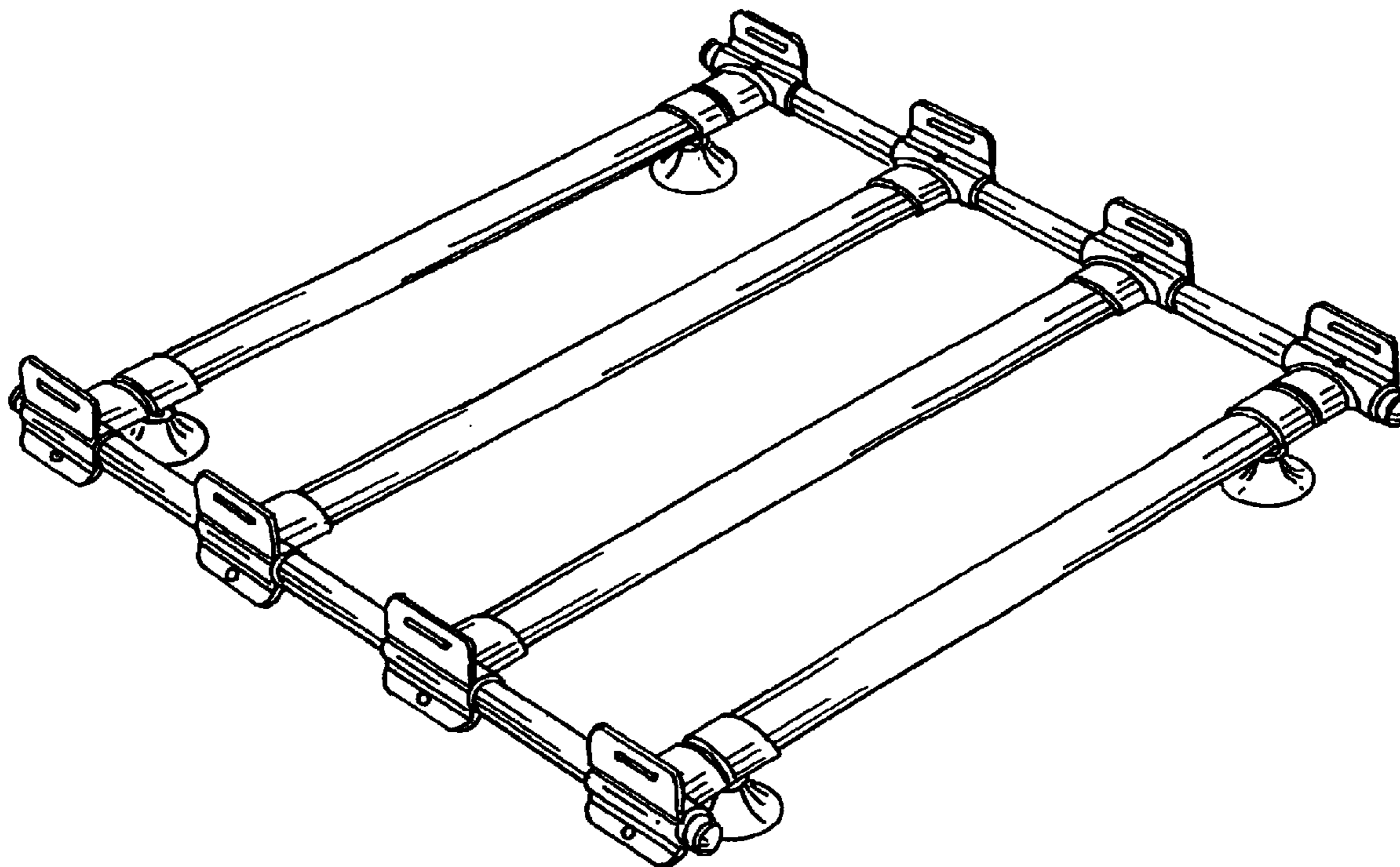
FIG. 2 is a top plan view thereof;

FIG. 3 is a bottom plan view thereof;

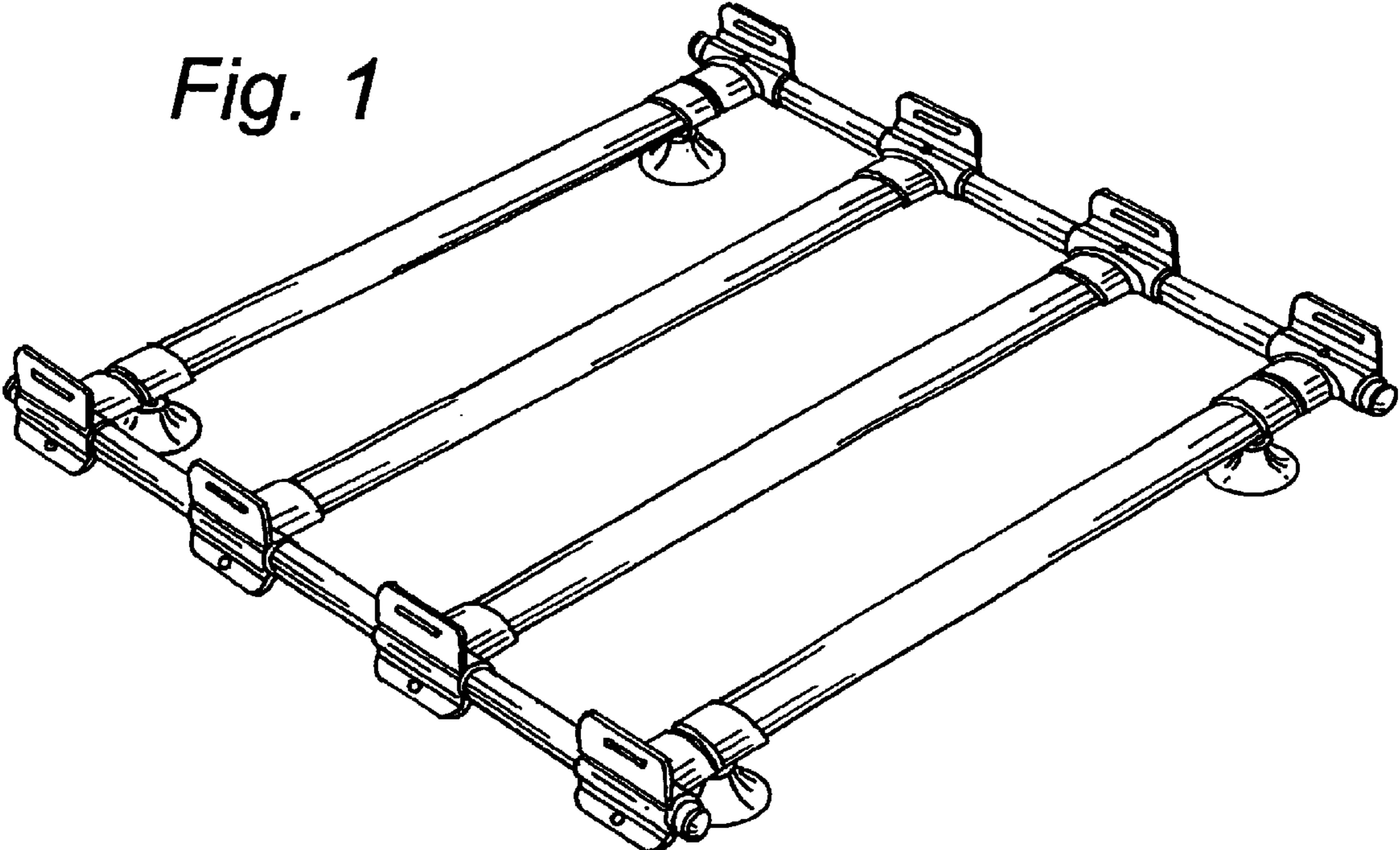
FIG. 4 is a front elevational view thereof, the rear elevational view being identical; and,

FIG. 5 is a side elevational view, the left and right side views being identical.

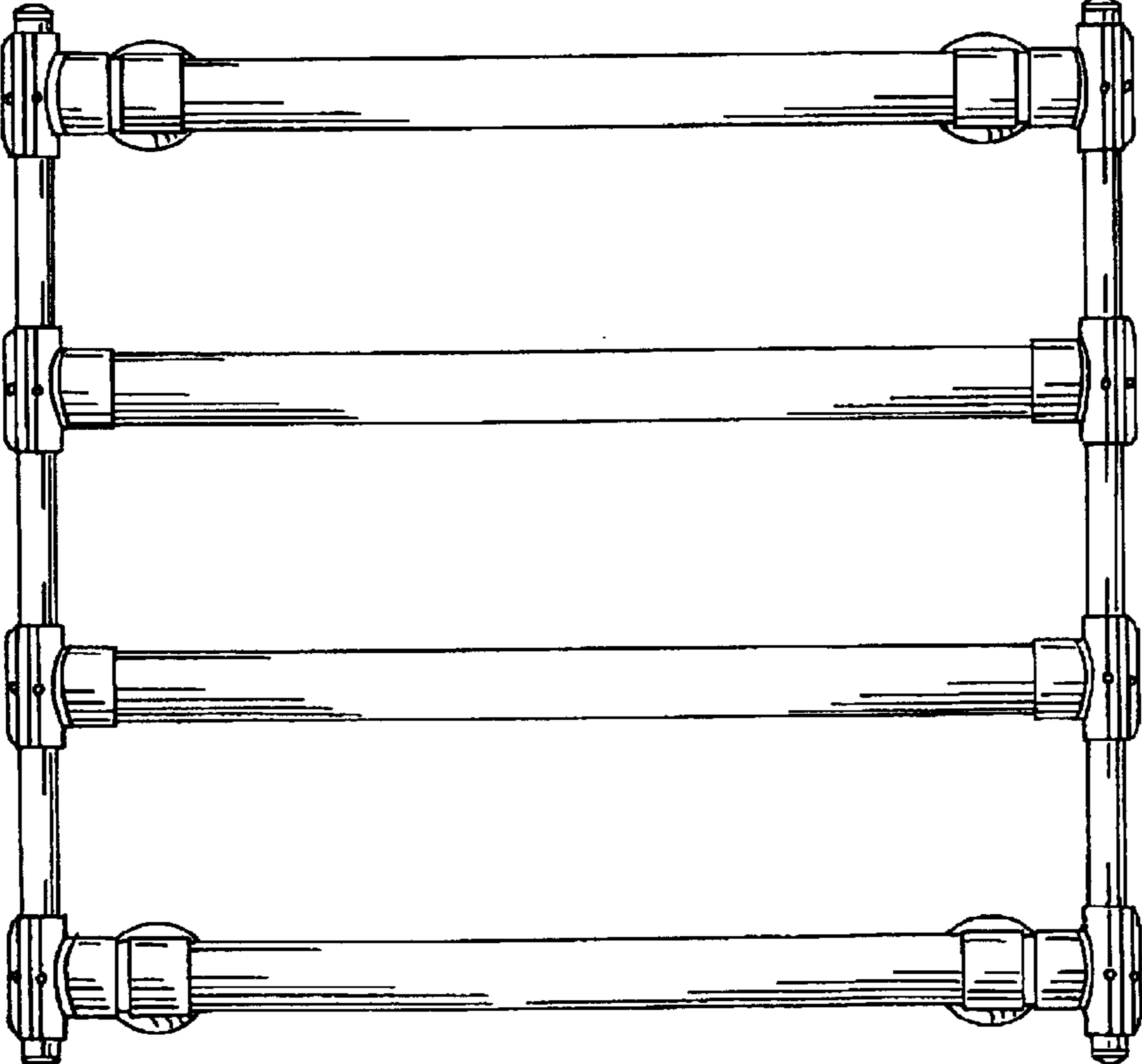
**1 Claim, 2 Drawing Sheets**

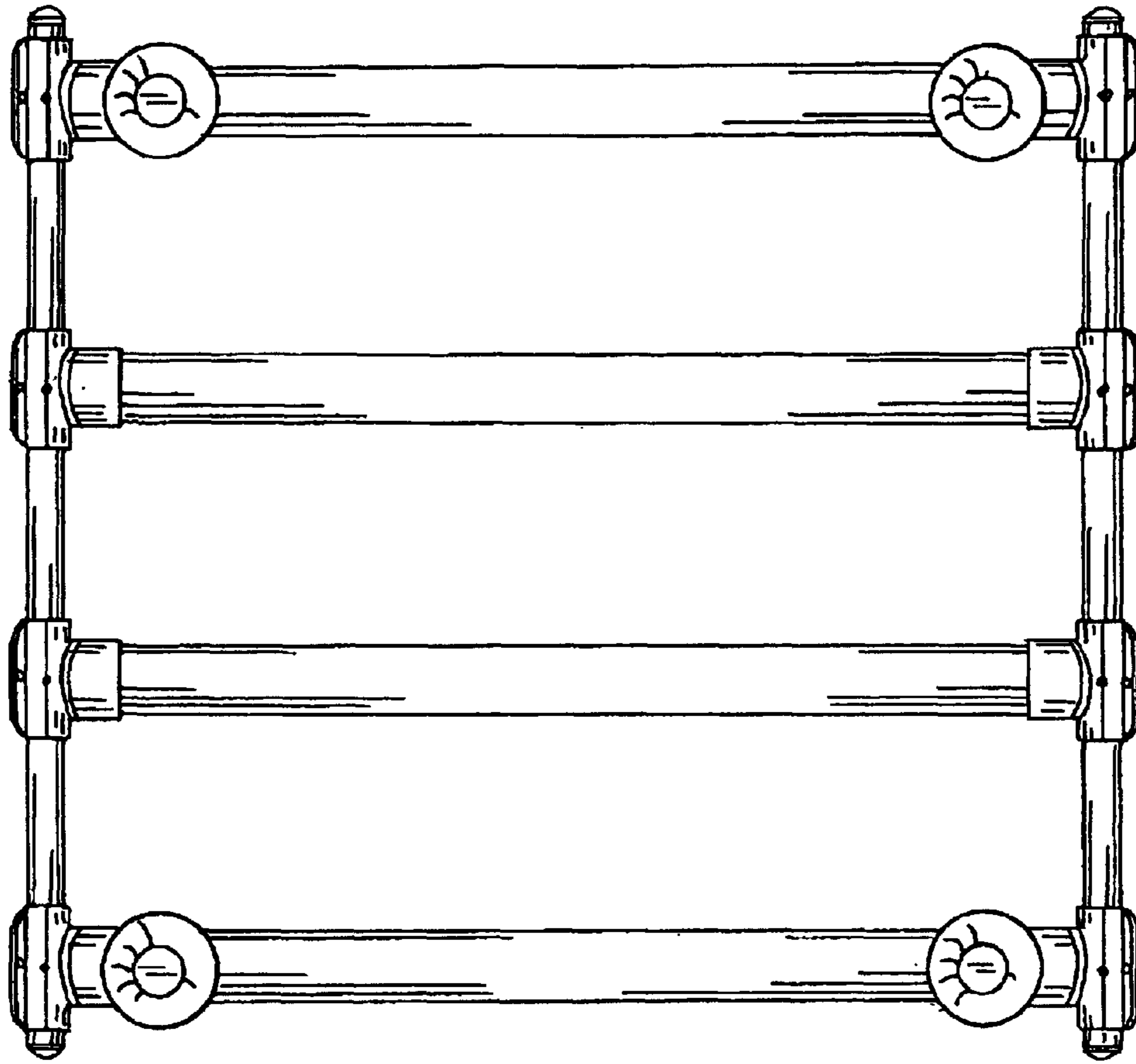


*Fig. 1*

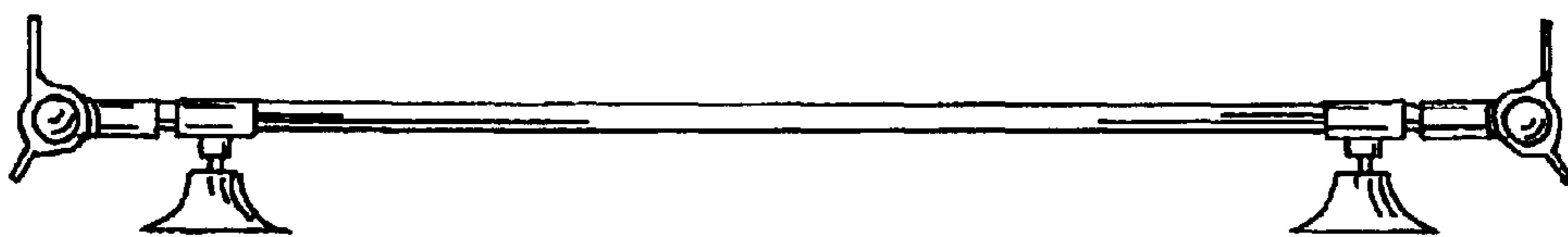


*Fig. 2*

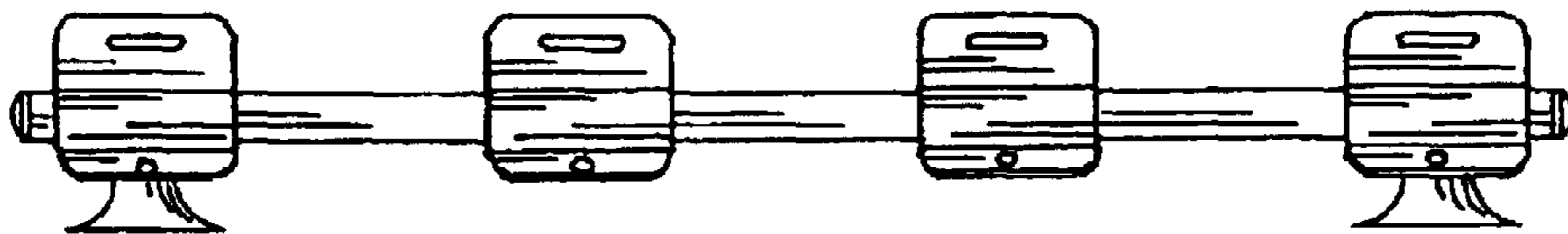




*Fig. 3*



*Fig. 4*



*Fig. 5*