



US00D496321S1

(12) **United States Design Patent** (10) **Patent No.:** **US D496,321 S**
McMurtrey et al. (45) **Date of Patent:** **** Sep. 21, 2004**

(54) **BICYCLE BASKET SUPPORTING BRACKET**

(75) Inventors: **David K. McMurtrey**, Maysville, KY (US); **Dennis P. Pawsat**, Maysville, KY (US); **Chad D. Williamson**, Maysville, KY (US)

(73) Assignee: **Wald LLC**, Maysville, KY (US)

(**) Term: **14 Years**

(21) Appl. No.: **29/189,362**

(22) Filed: **Sep. 3, 2003**

(51) **LOC (7) Cl.** **12-06**

(52) **U.S. Cl.** **D12/223**

(58) **Field of Search** D12/111, 114,
D12/407, 223; 224/412, 420, 441, 448,
449, 545, 547, 558, 560

(56) **References Cited**

U.S. PATENT DOCUMENTS

4,730,758 A 3/1988 McMurtrey

OTHER PUBLICATIONS

Selected pages from TBG/Bicycle Today Buyer's Guide, 2002/2003.

Printed pages from Bicycles Today web site, Jul. 14, 2003.

Primary Examiner—Alan P. Douglas

Assistant Examiner—Linda Brooks

(74) *Attorney, Agent, or Firm*—Wood, Herron & Evans, L.L.P.

(57) **CLAIM**

The ornamental design for a bicycle basket supporting bracket, as shown and described.

DESCRIPTION

FIG. 1 is a front perspective view of a bicycle basket supporting bracket showing my design;

FIG. 2 is a rear perspective view thereof;

FIG. 3 is a rear elevational view thereof;

FIG. 4 is a front elevational view thereof.

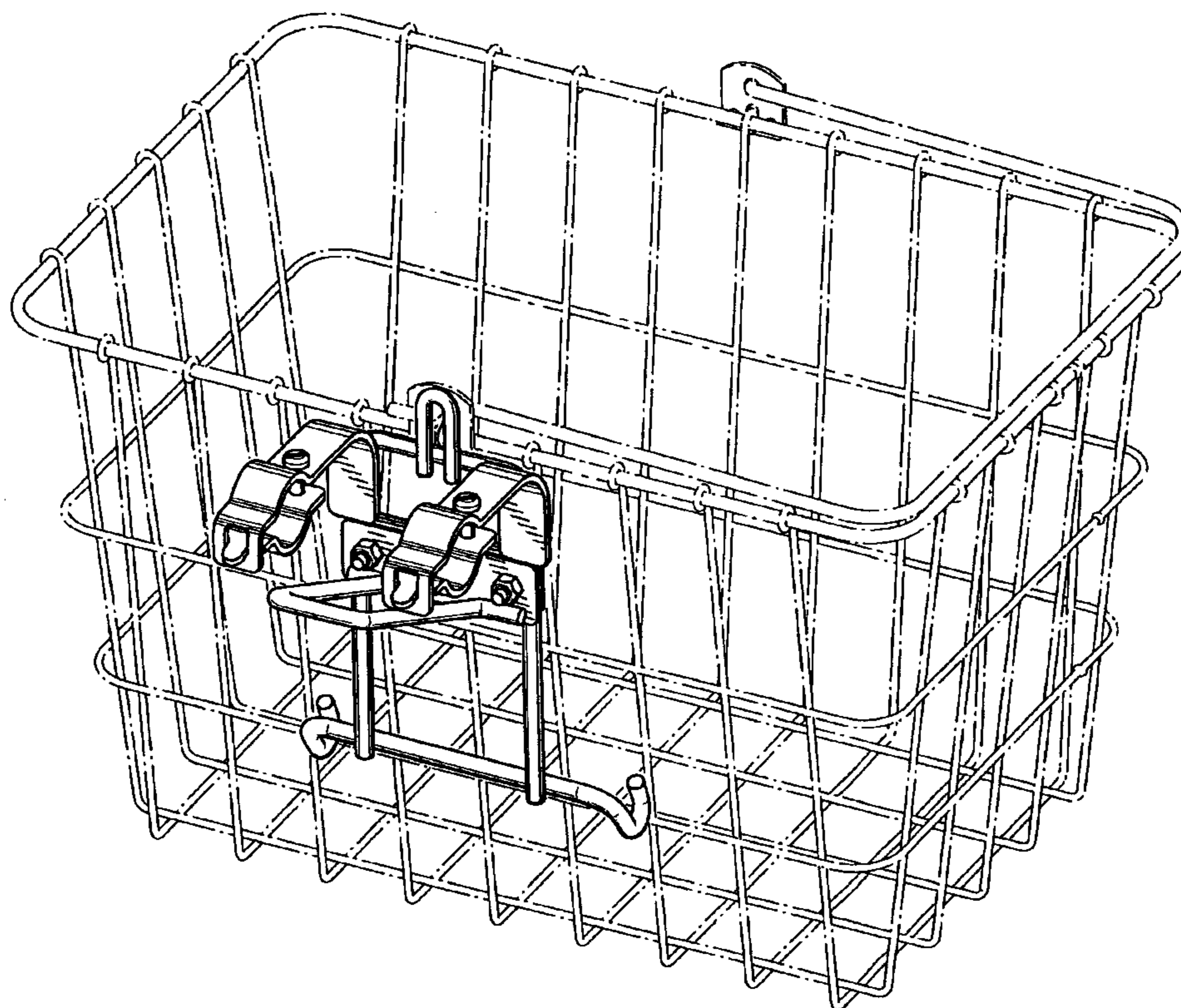
FIG. 5 is a right elevational view thereof;

FIG. 6 is a left elevational view thereof;

FIG. 7 is a top plan view thereof; and,

FIG. 8 is a bottom plan view thereof.

1 Claim, 3 Drawing Sheets



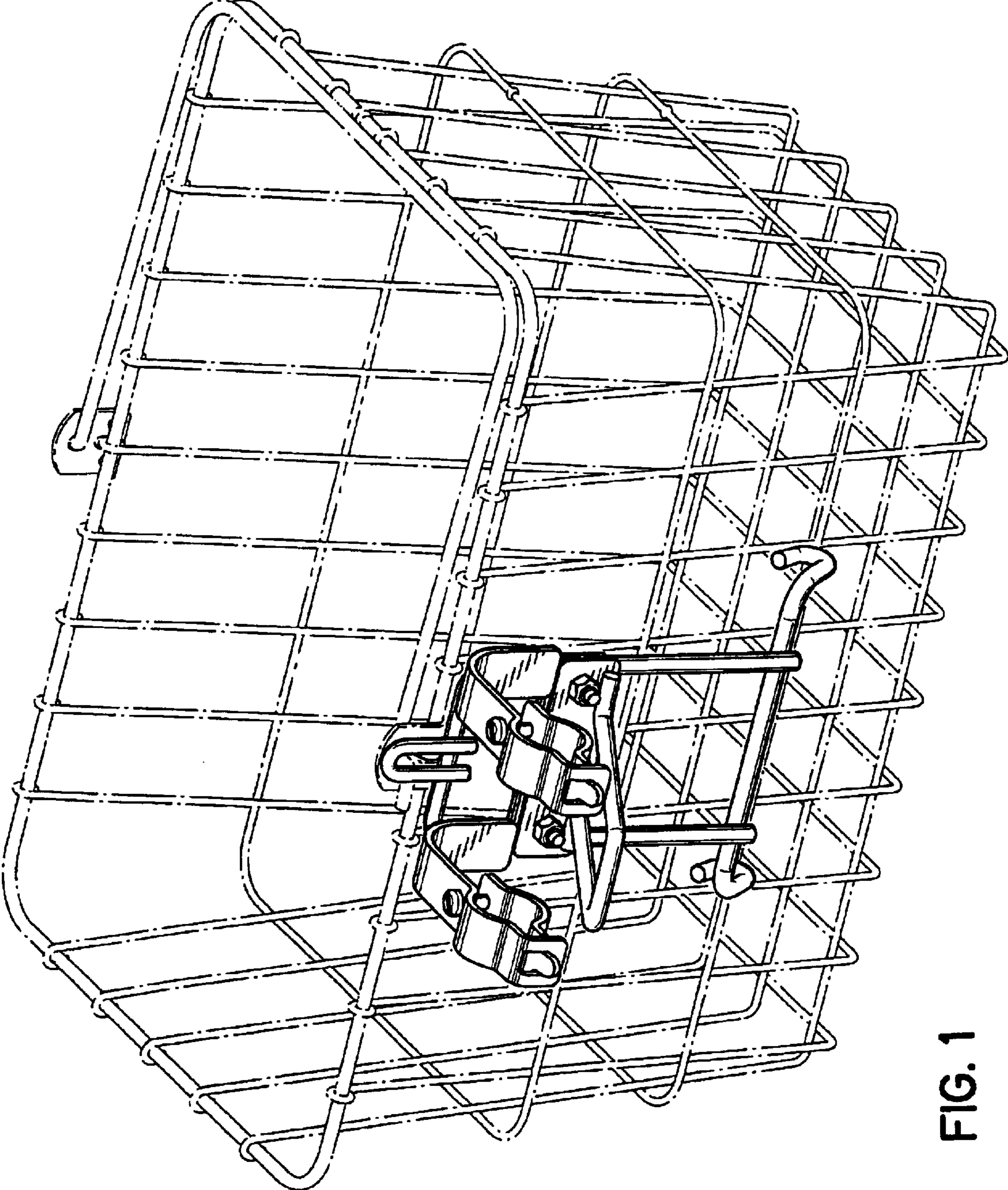


FIG. 1

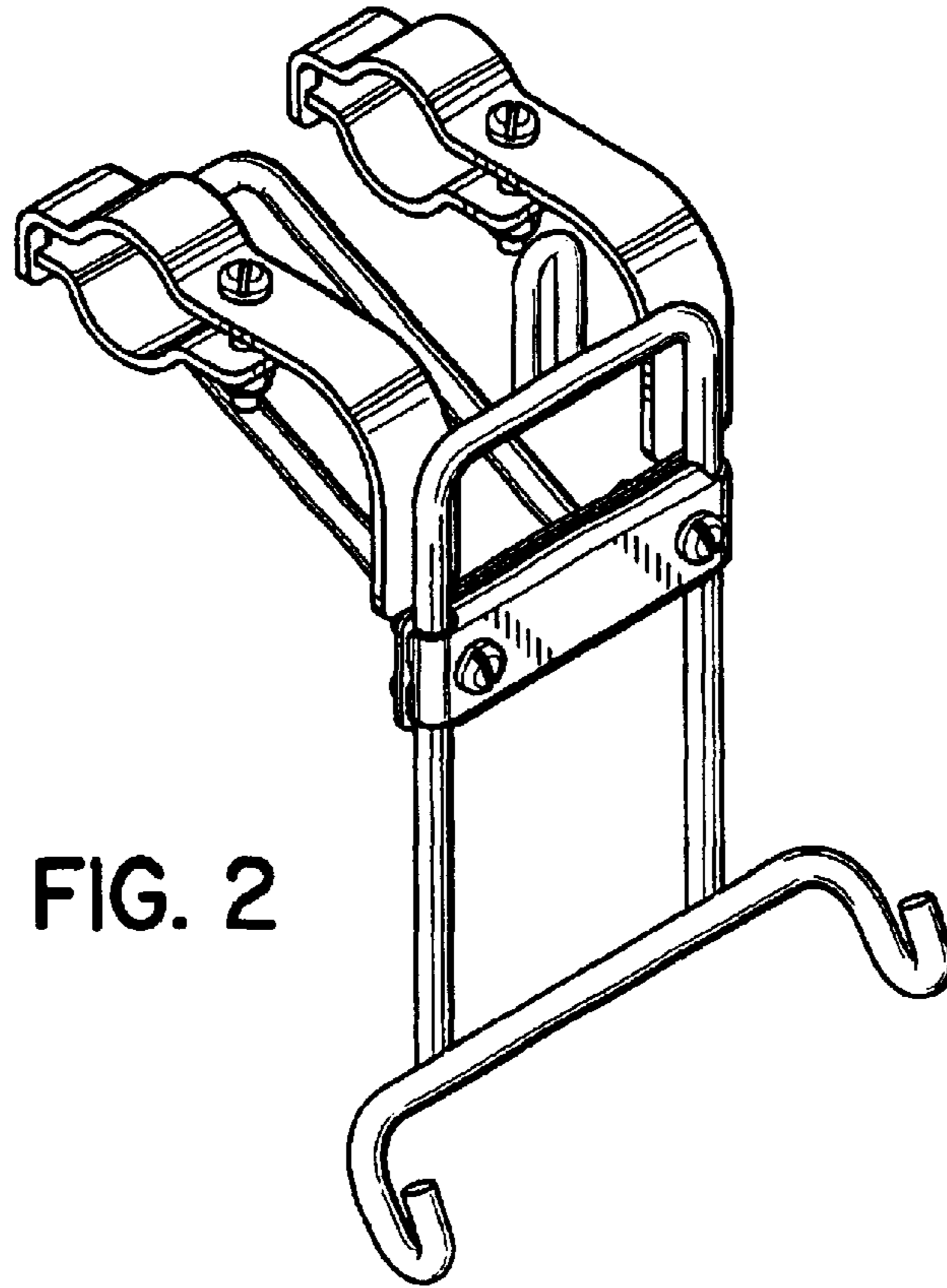


FIG. 2

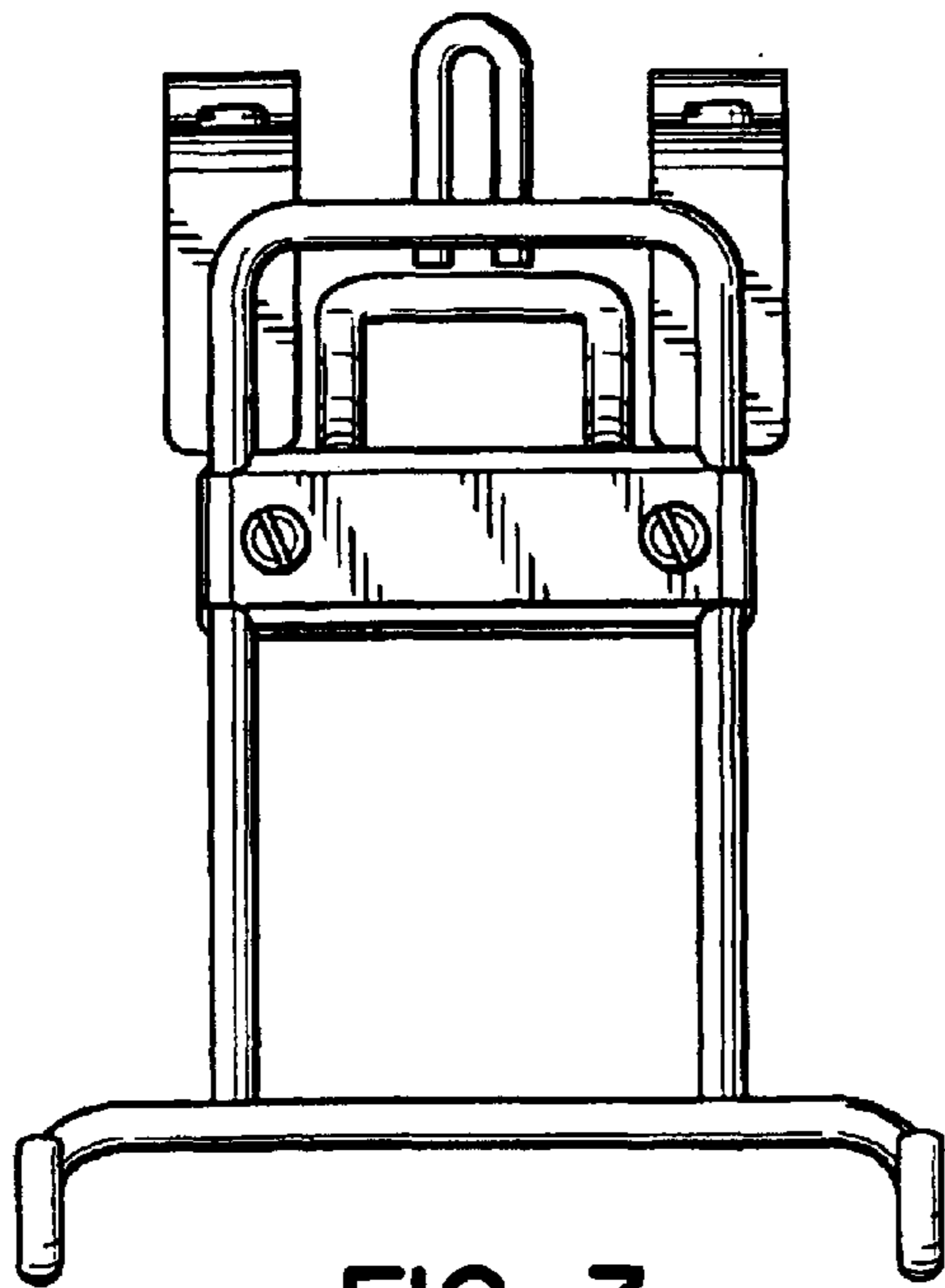


FIG. 3

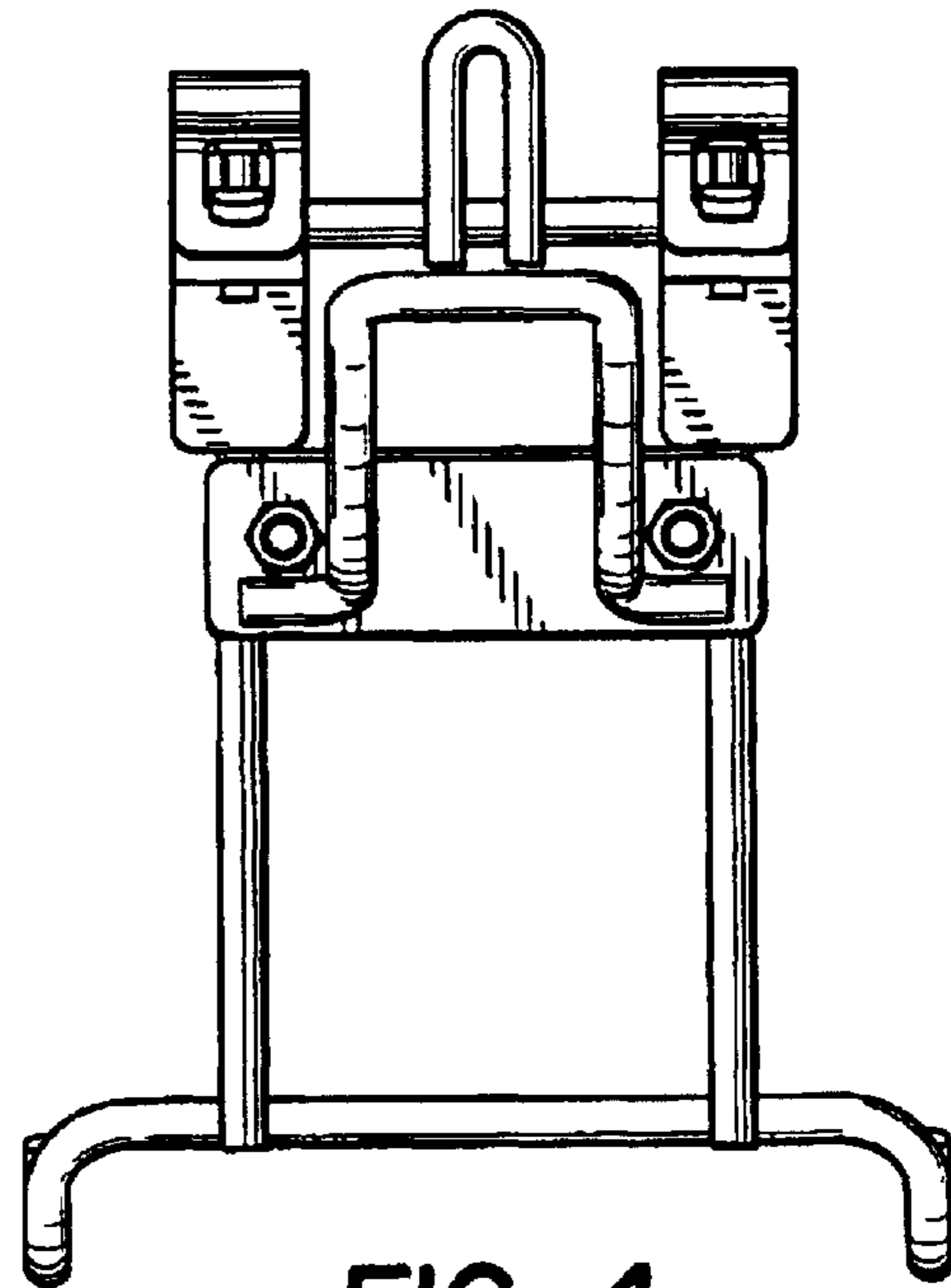


FIG. 4

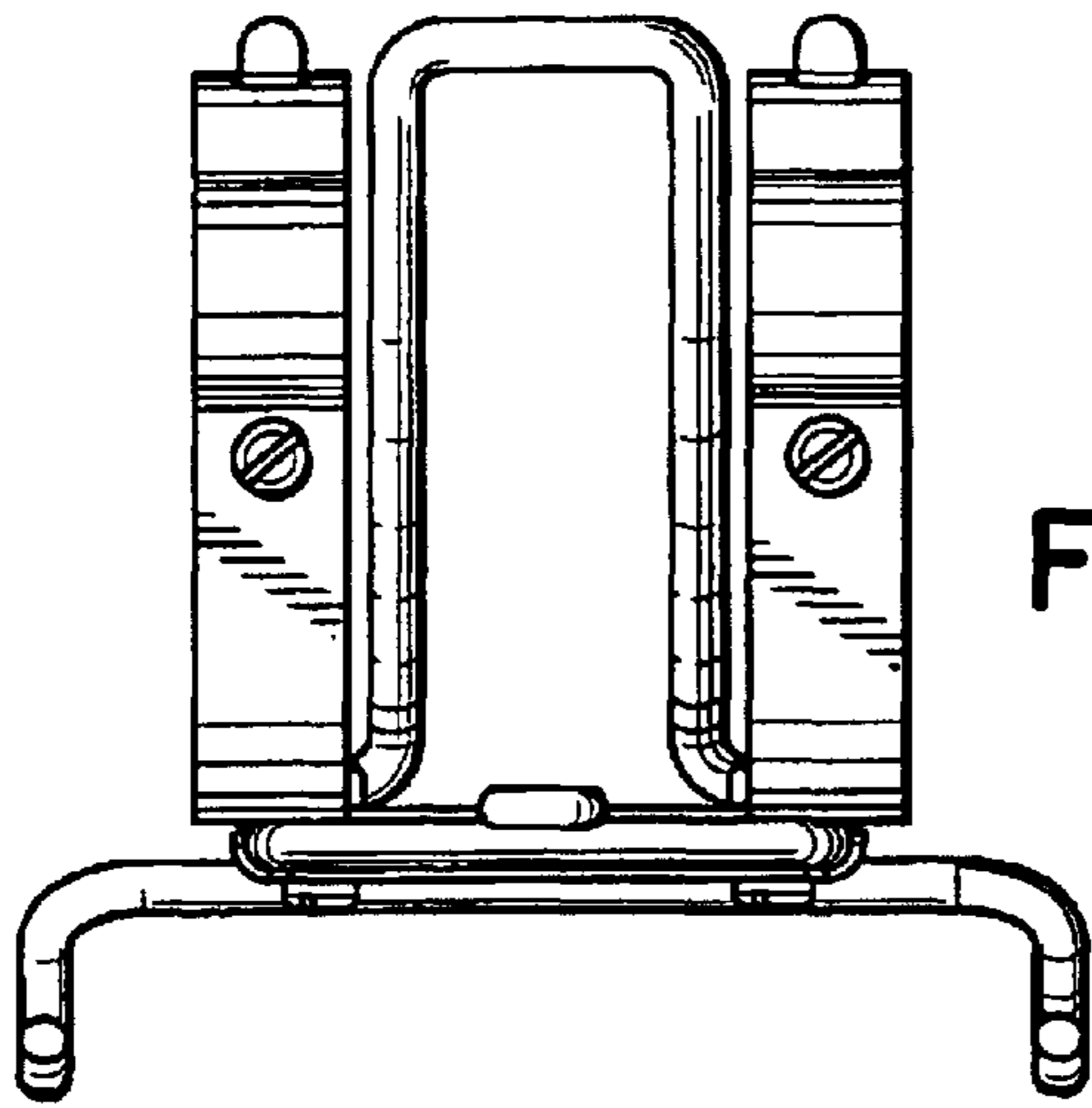
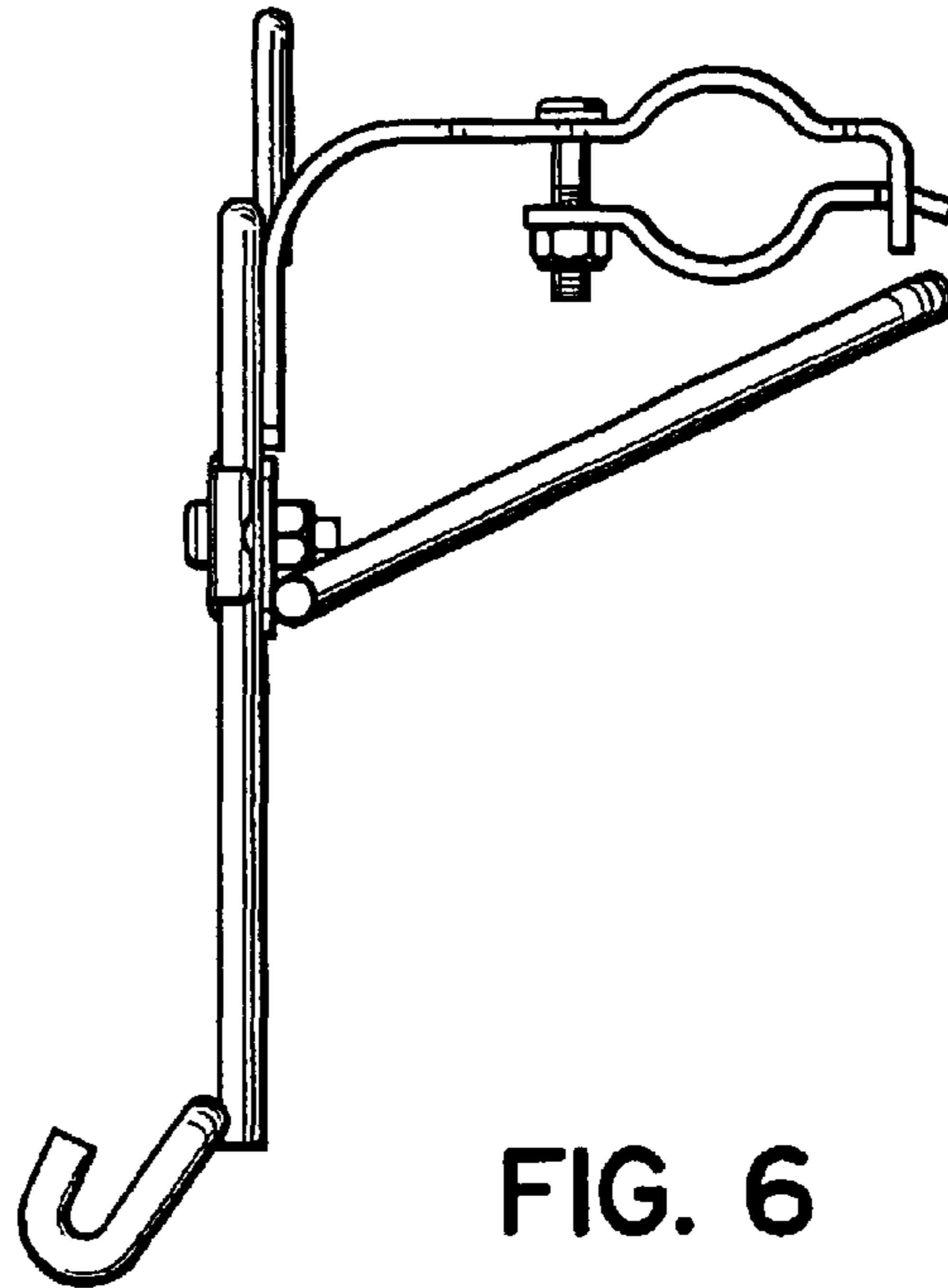
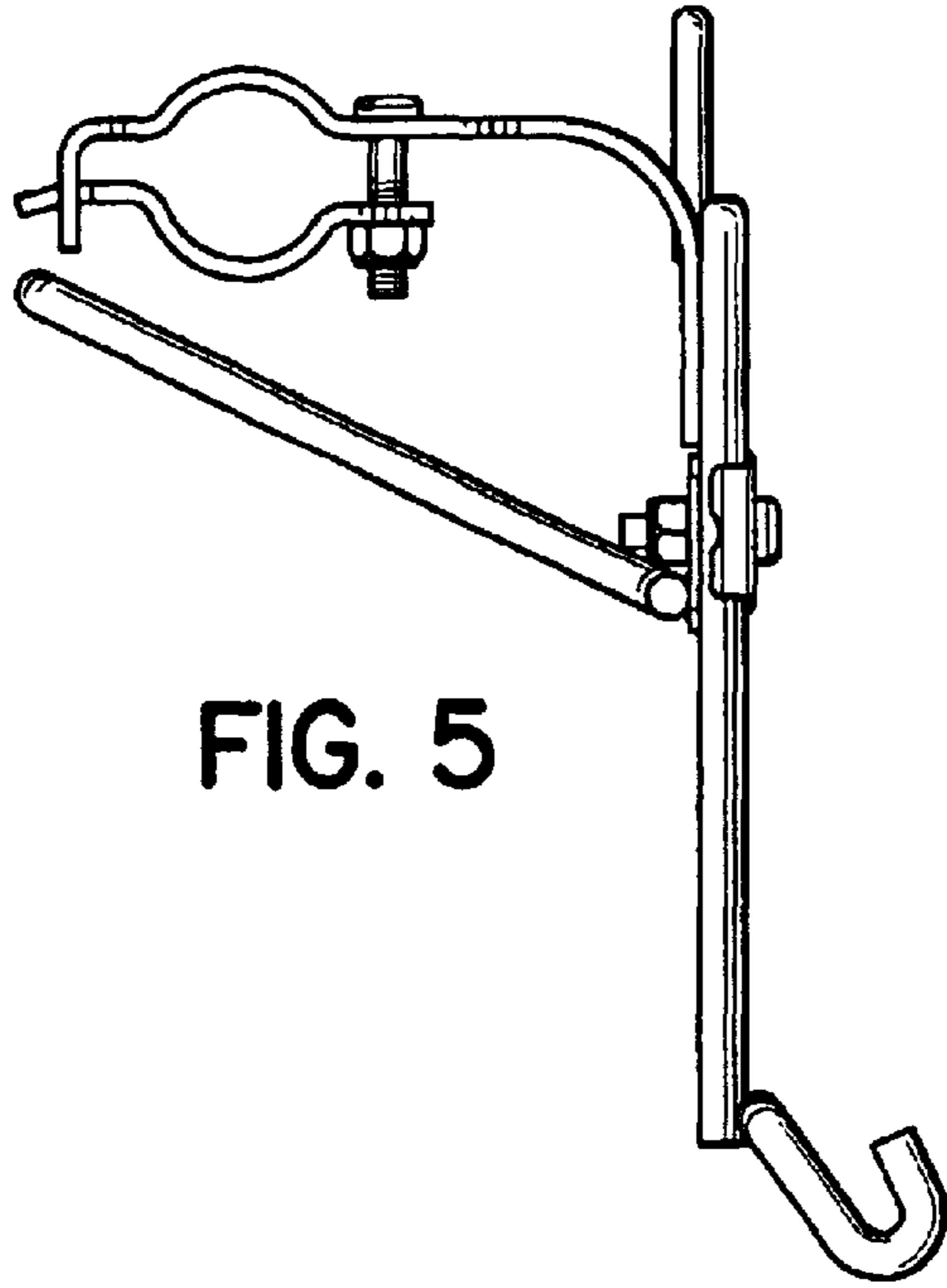


FIG. 7

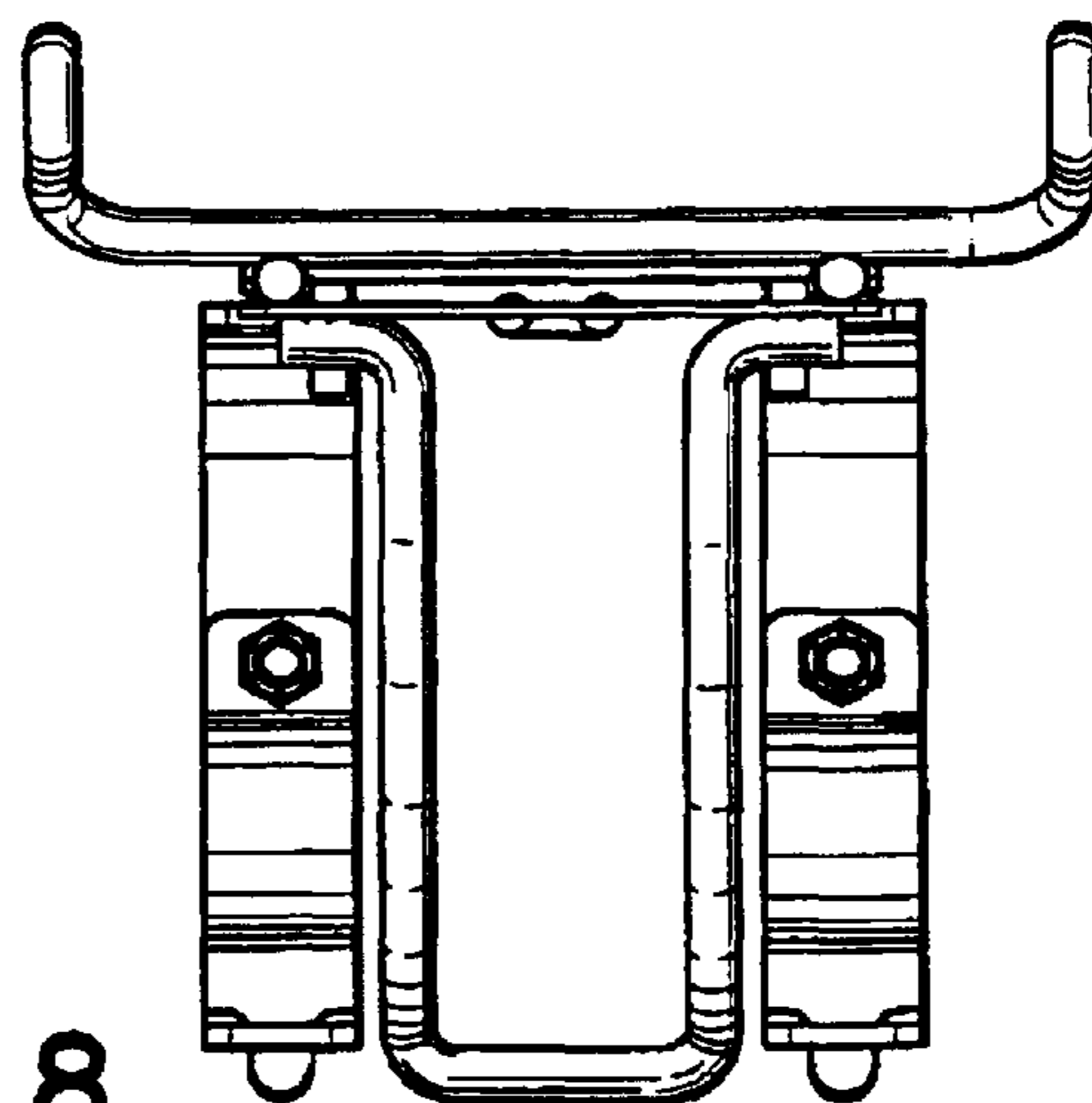


FIG. 8