

US00D496315S1

(12) **United States Design Patent**
Pfeiffer et al.

(10) **Patent No.: US D496,315 S**

(45) **Date of Patent: ** Sep. 21, 2004**

(54) **FRONT FACE OF A VEHICLE WHEEL**

(75) Inventors: **Peter Pfeiffer**, Boeblingen (DE); **Murat Guenak**, Ehningen (DE); **Hans-Dieter Futschik**, Gechingen (DE)

(73) Assignee: **DaimlerChrysler AG**, Stuttgart (DE)

(**) Term: **14 Years**

(21) Appl. No.: **29/155,732**

(22) Filed: **Feb. 19, 2002**

(30) **Foreign Application Priority Data**

Aug. 17, 2001 (DE) 4 01 07 253

(51) **LOC (7) Cl.** **12-16**

(52) **U.S. Cl.** **D12/209**

(58) **Field of Search** D12/204-211;
301/37.101, 64.101, 65

(56) **References Cited**

U.S. PATENT DOCUMENTS

D84,319 S * 6/1931 Beutke et al. D12/209
D325,019 S * 3/1992 Boyer D12/211

D375,478 S * 11/1996 Pfeiffer D12/209
D376,572 S * 12/1996 Pfeiffer D12/209
D388,760 S * 1/1998 Sacco et al. D12/209
D401,899 S * 12/1998 Pfeiffer D12/209
D441,706 S * 5/2001 Pfeiffer D12/209
D446,179 S * 8/2001 Sinkwitz D12/209
D451,066 S * 11/2001 Pfeiffer et al. D12/211
D455,692 S * 4/2002 Iguchi et al. D12/209
D460,032 S * 7/2002 Mattin D12/209
D471,144 S * 3/2003 Pfeiffer D12/209

* cited by examiner

Primary Examiner—Stacia Cadmus

(74) *Attorney, Agent, or Firm*—Crowell & Moring LLP

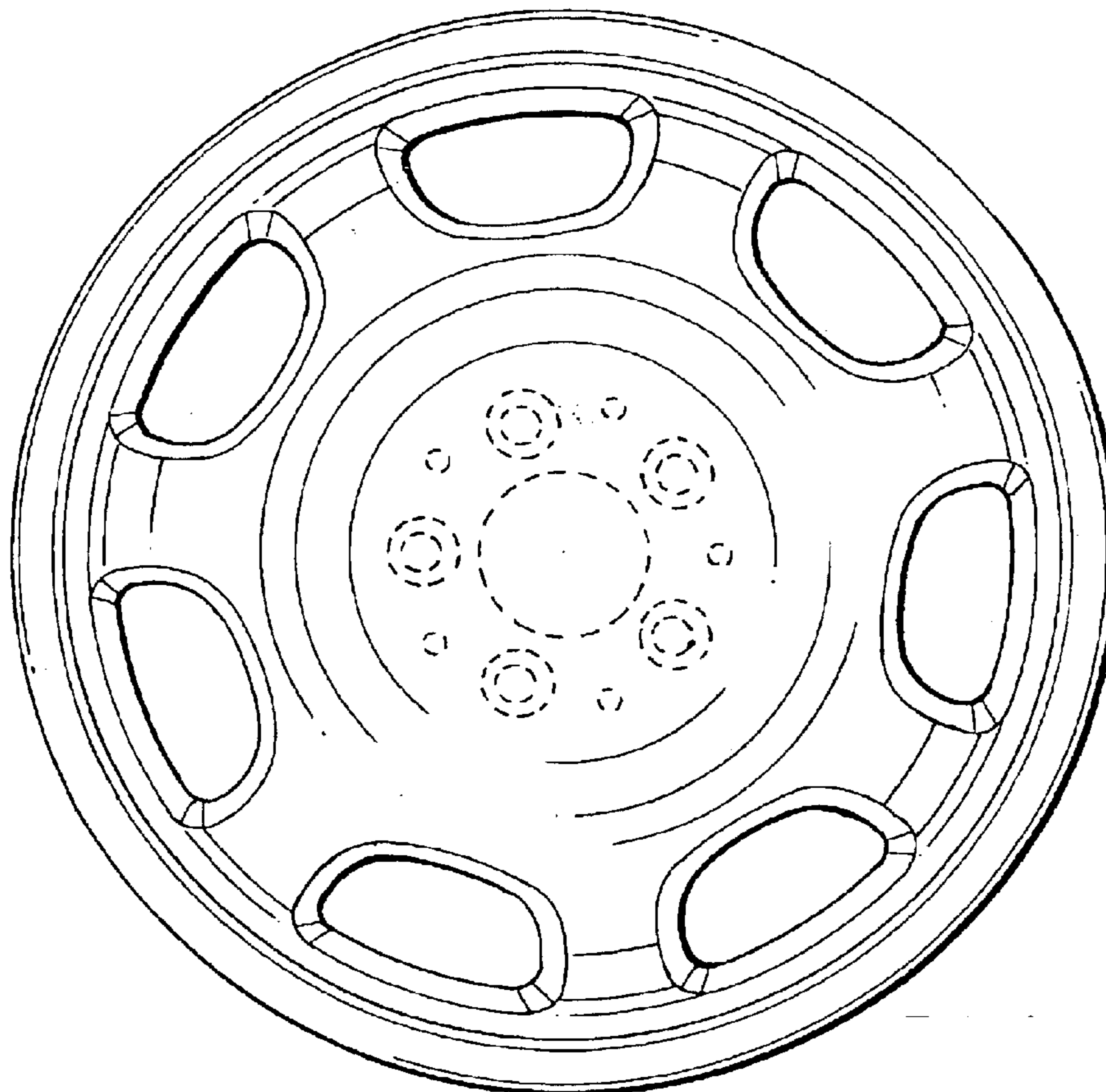
(57) **CLAIM**

The ornamental design for a front face of a vehicle wheel, as shown and described.

DESCRIPTION

FIG. 1 is a front view of a front face of a vehicle wheel according to our novel design; and, FIG. 2 is a perspective view of the front face of a vehicle wheel according to our novel design.

1 Claim, 1 Drawing Sheet



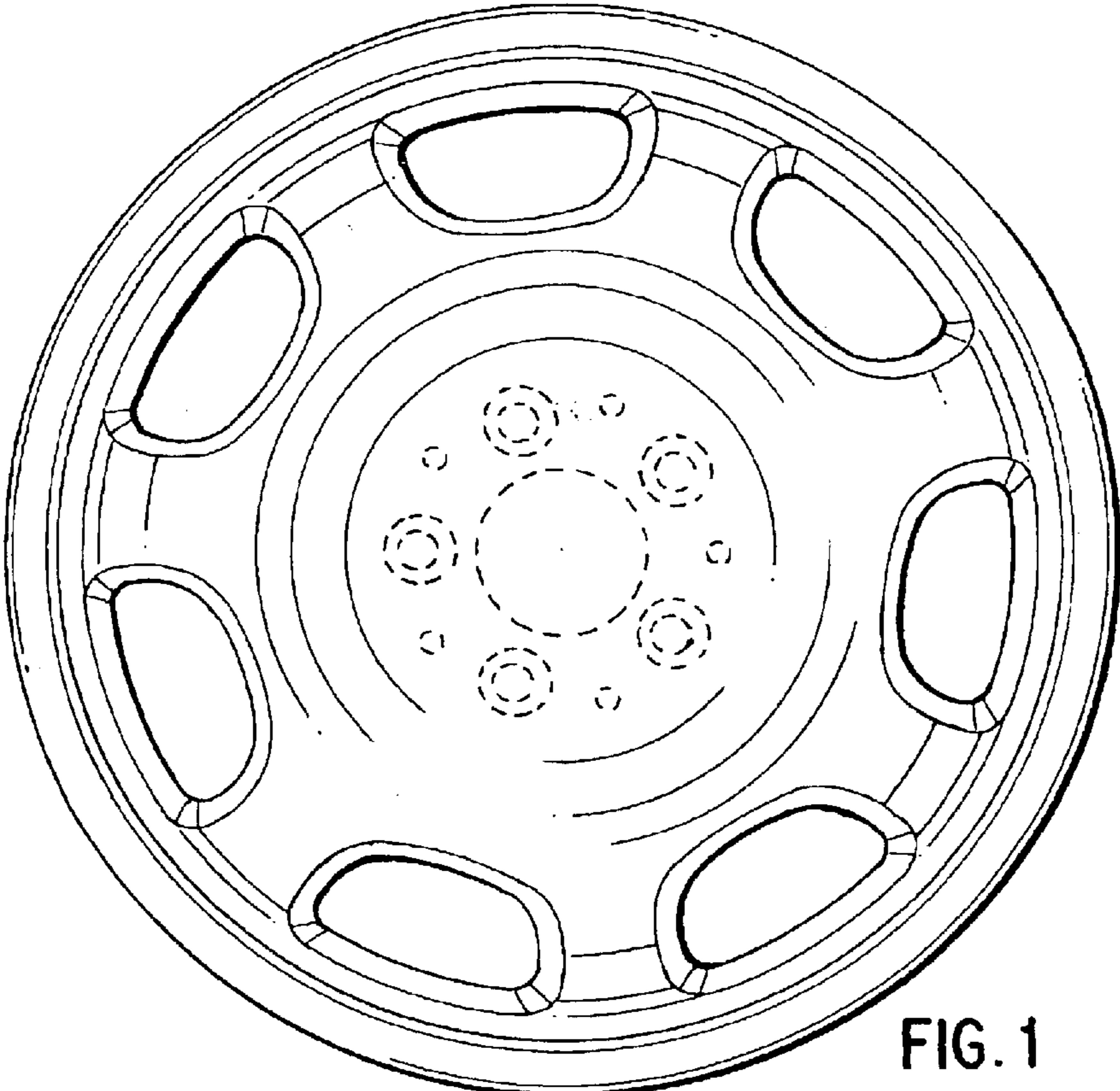


FIG. 1

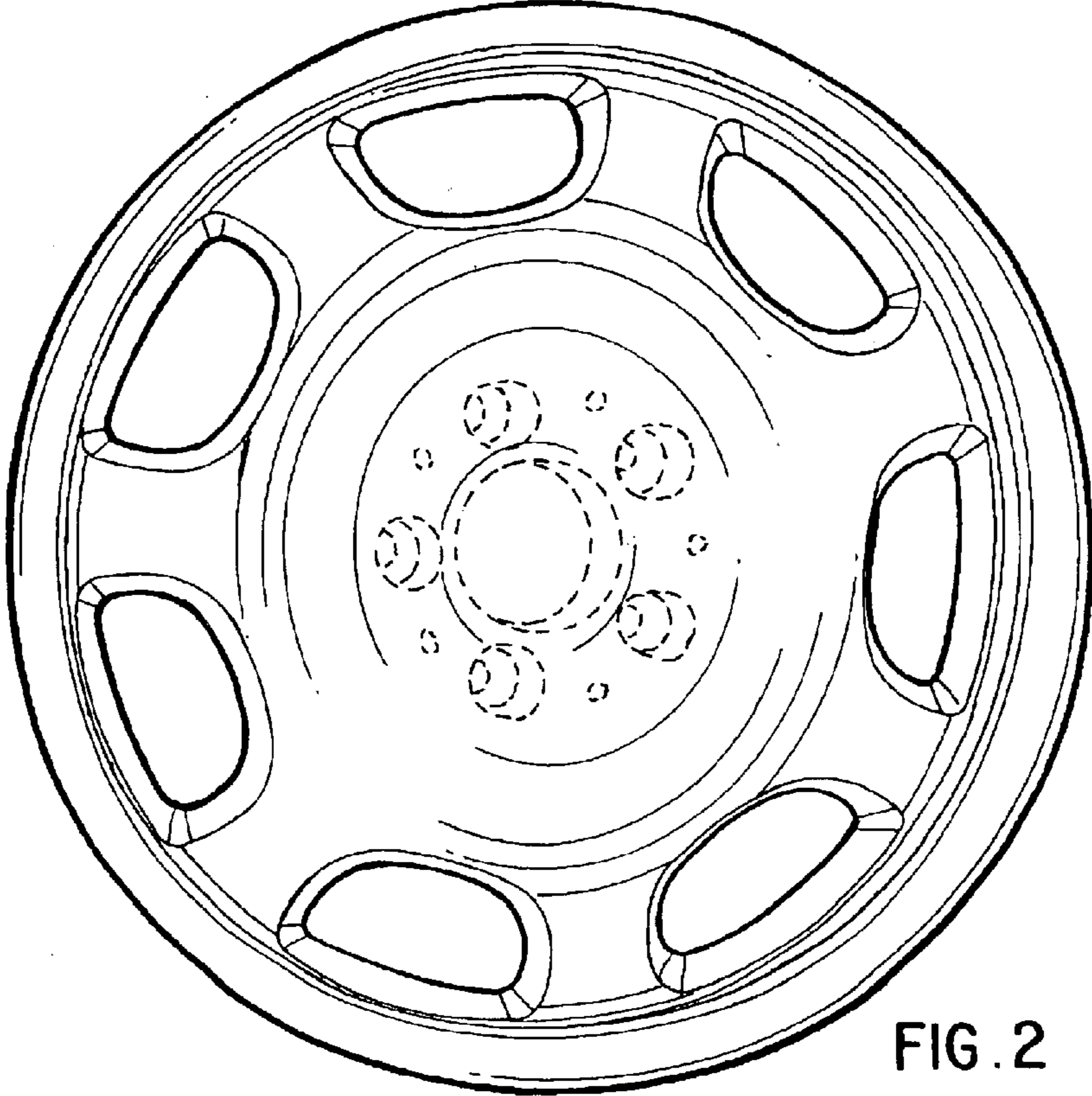


FIG. 2