

US00D496314S1

(12) **United States Design Patent** (10) **Patent No.:** **US D496,314 S**
Perfetti et al. (45) **Date of Patent:** **** Sep. 21, 2004**

(54) **FAIRING TRIM PIECE FOR AN OVER THE HIGHWAY TRUCK**

(75) Inventors: **Ruben Perfetti**, Greensboro, NC (US);
John Martin, Madison, NC (US);
Michael Sorrells, Greensboro, NC (US)

(73) Assignee: **Volvo Trucks North America, Inc.**,
Greensboro, NC (US)

(**) Term: **14 Years**

(21) Appl. No.: **29/186,472**

(22) Filed: **Jul. 16, 2003**

(51) **LOC (7) Cl.** **12-16**

(52) **U.S. Cl.** **D12/196**

(58) **Field of Search** D12/196, 96, 97;
296/180.1, 180.2, 181, 190, 89.14, 89.16

(56) **References Cited**

U.S. PATENT DOCUMENTS

D432,476 S	*	10/2000	Damon et al.	D12/196
D433,981 S	*	11/2000	Davis et al.	D12/196
D437,570 S	*	2/2001	Meryman et al.	D12/96
D455,990 S	*	4/2002	Mobius	D12/196
D460,023 S	*	7/2002	Beigel	D12/96

OTHER PUBLICATIONS

1 Page section of a story board used by the inventors of the present application depicting competing trucks that were on

the market when this design was completed 1990 . . . Kenworth Trucks to the year 2000.

* cited by examiner

Primary Examiner—Melody N. Brown

(74) *Attorney, Agent, or Firm*—Watts Hoffman Co.

(57) **CLAIM**

The ornamental design for a fairing trim piece for an over the highway truck, as shown and described.

DESCRIPTION

FIG. 1 is a perspective view of the fairing trim piece for an over the highway truck of our new design;

FIG. 2 is a perspective view of the fairing trim piece;

FIG. 3 is a top plan view of the fairing trim piece;

FIG. 4 is a front elevational view of the fairing trim piece;

FIG. 5 is a right side elevational view of the fairing trim piece;

FIG. 6 is a rear elevational view of the fairing trim piece;

FIG. 7 is a left side elevational view of the fairing trim piece; and,

FIG. 8 is a bottom plan view of the fairing trim piece.

The broken lines shown are for illustrative purposes only and form no part of the claimed design.

1 Claim, 3 Drawing Sheets

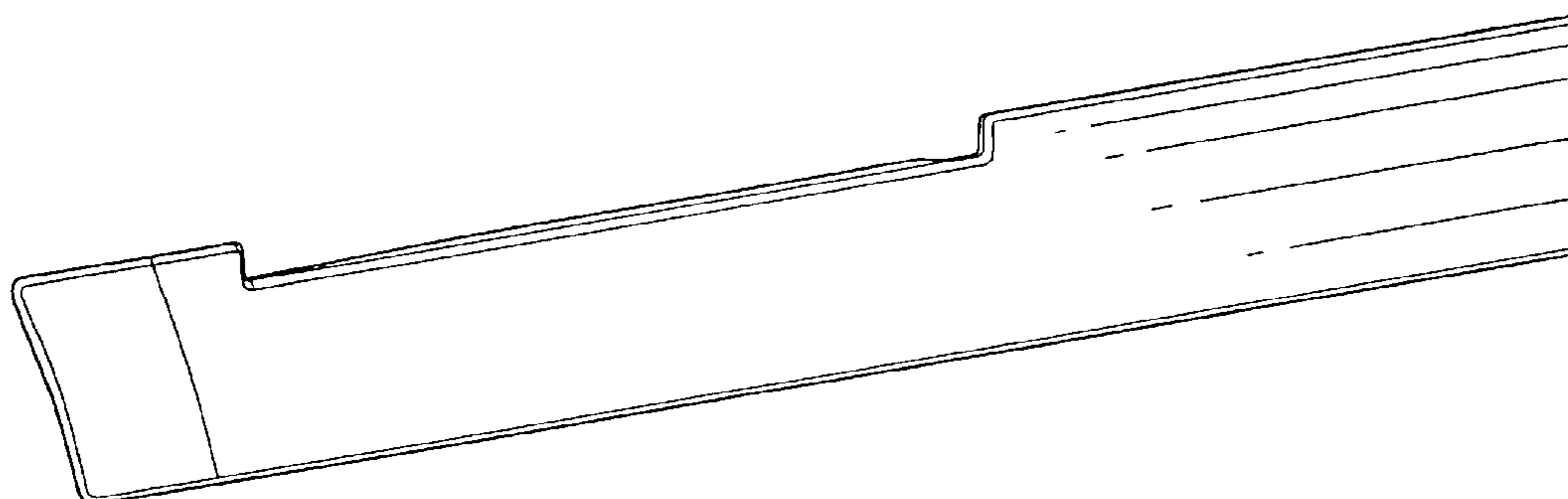
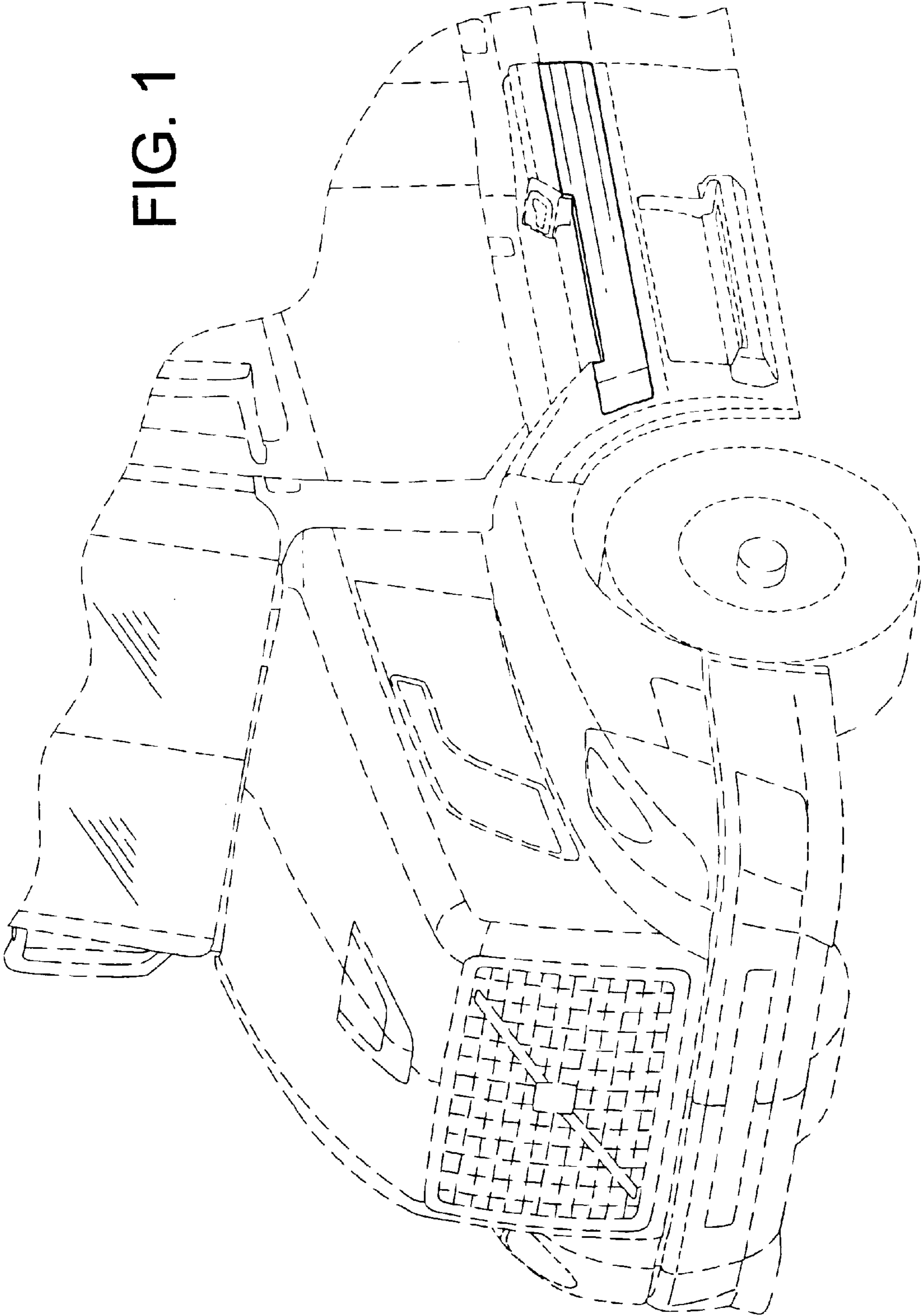


FIG. 1



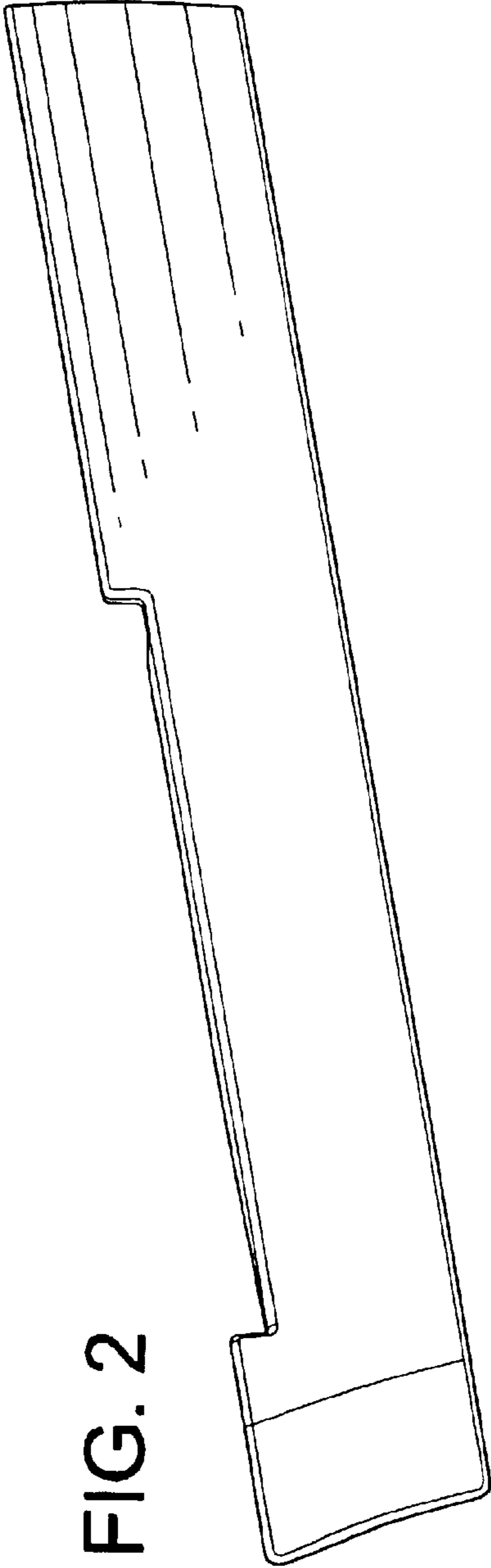


FIG. 2

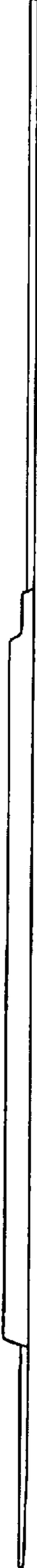


FIG. 3

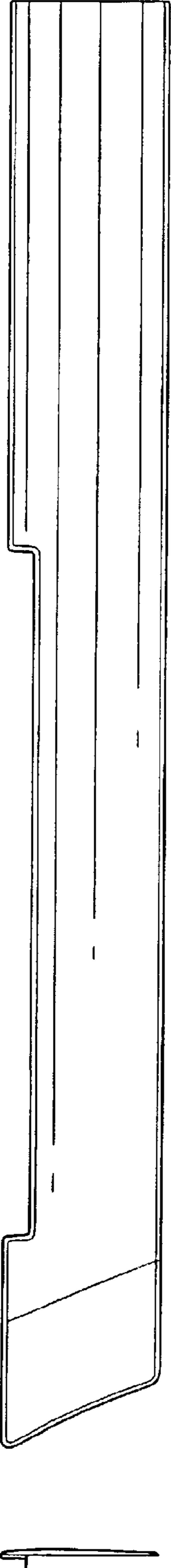


FIG. 4

FIG. 5

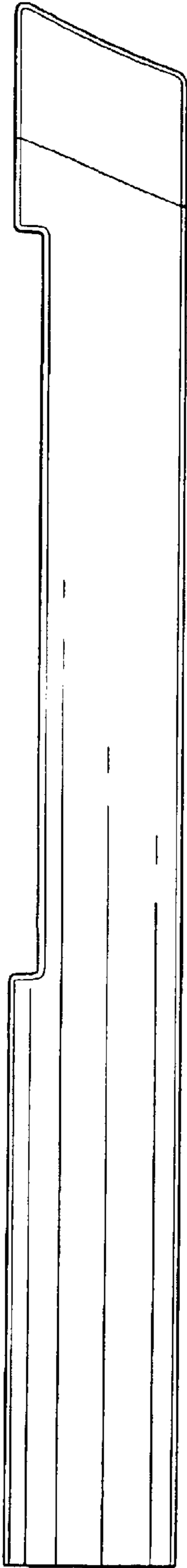


FIG. 6

FIG. 7

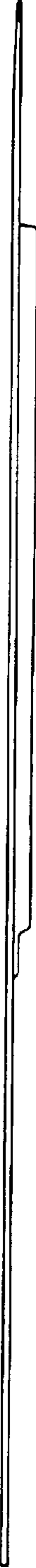


FIG. 8