

US00D496312S1

(12) **United States Design Patent**
Sybilrud et al.

(10) **Patent No.:** **US D496,312 S**
(45) **Date of Patent:** **** Sep. 21, 2004**

(54) **LICENSE PLATE CAMERA HOLDER**

(76) Inventors: **Jeff Sybilrud**, 1815 W. 205th St., Unit 208, Torrance, CA (US) 90501; **Scott Cejka**, 1815 W. 205th St., Unit 208, Torrance, CA (US) 90501; **Merry An Sybilrud**, 1815 W. 205th St., Unit 208, Torrance, CA (US) 90501; **Eddie Takei**, 1815 W. 205th St., Unit 208, Torrance, CA (US) 90501

(**) Term: **14 Years**

(21) Appl. No.: **29/196,279**

(22) Filed: **Dec. 29, 2003**

(51) **LOC (7) Cl.** **12-16**

(52) **U.S. Cl.** **D12/193**

(58) **Field of Search** D12/193; D6/300-303, D6/310-314; 40/200-203, 207-216

(56) **References Cited**

U.S. PATENT DOCUMENTS

D163,328 S * 5/1951 Rothman D12/193

D274,807 S * 7/1984 Stansbury et al. D12/193
D396,439 S * 7/1998 Turnquest D12/193
D411,499 S * 6/1999 Porter D12/193
D489,031 S * 4/2004 Leibman D12/193

* cited by examiner

Primary Examiner—Stacia Cadmus

(74) *Attorney, Agent, or Firm*—Roger A. Marrs

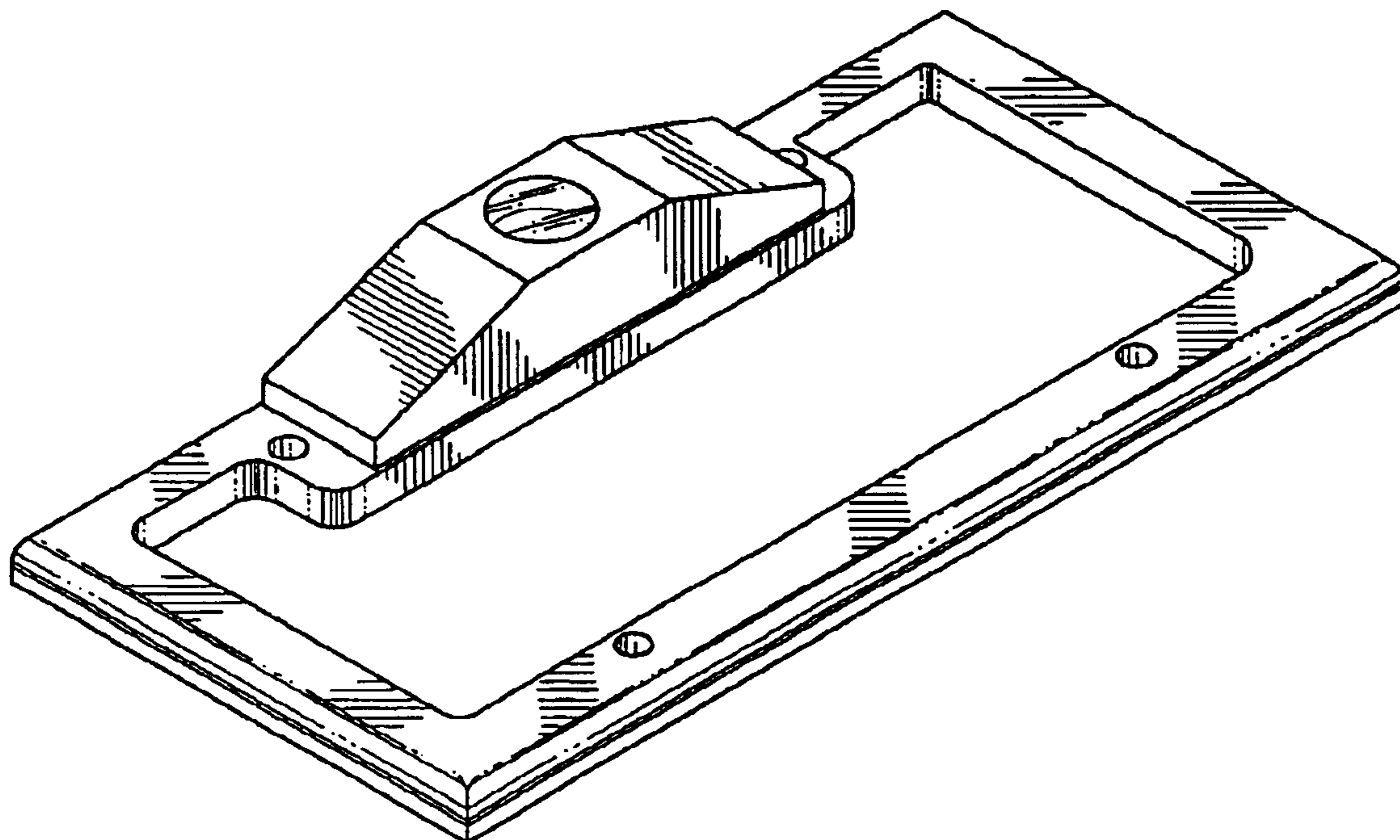
(57) **CLAIM**

The ornamental design for a license plate camera holder, substantially as shown and described.

DESCRIPTION

FIG. 1 is a front perspective view showing our new design for a license plate camera holder;
FIG. 2 is a front elevational view thereof;
FIG. 3 is an end view thereof with the opposite end being a mirror image;
FIG. 4 is a top plan view thereof;
FIG. 5 is a bottom view thereof; and,
FIG. 6 is a rear view thereof.

1 Claim, 1 Drawing Sheet



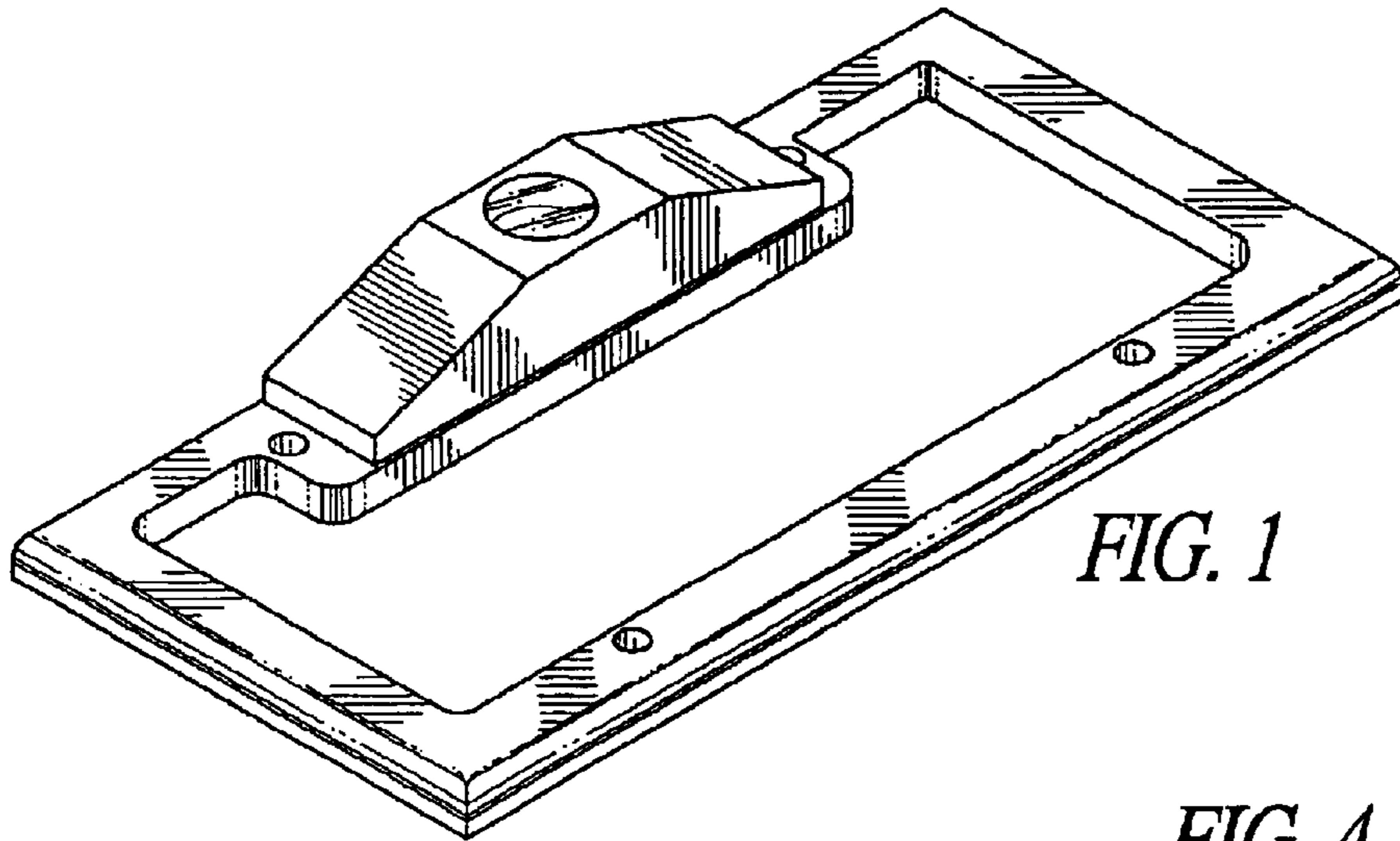


FIG. 1

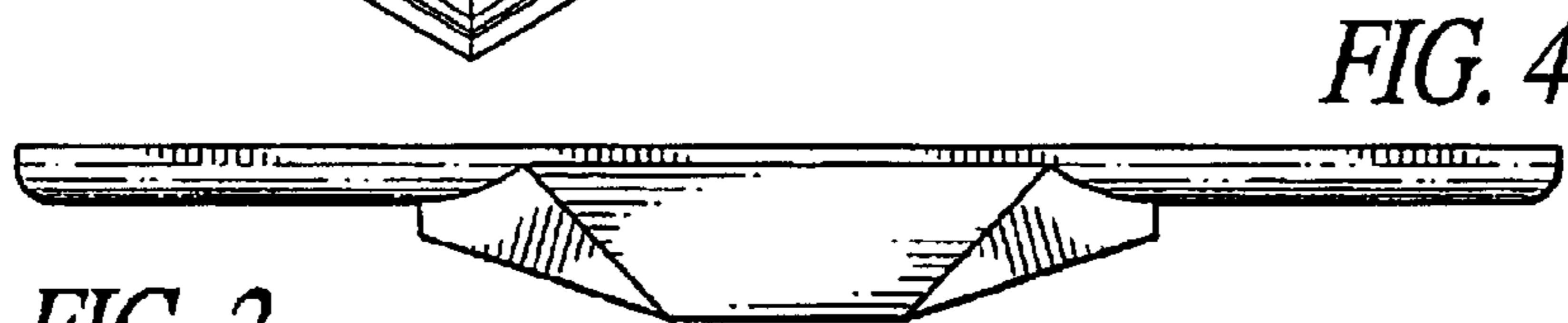


FIG. 2

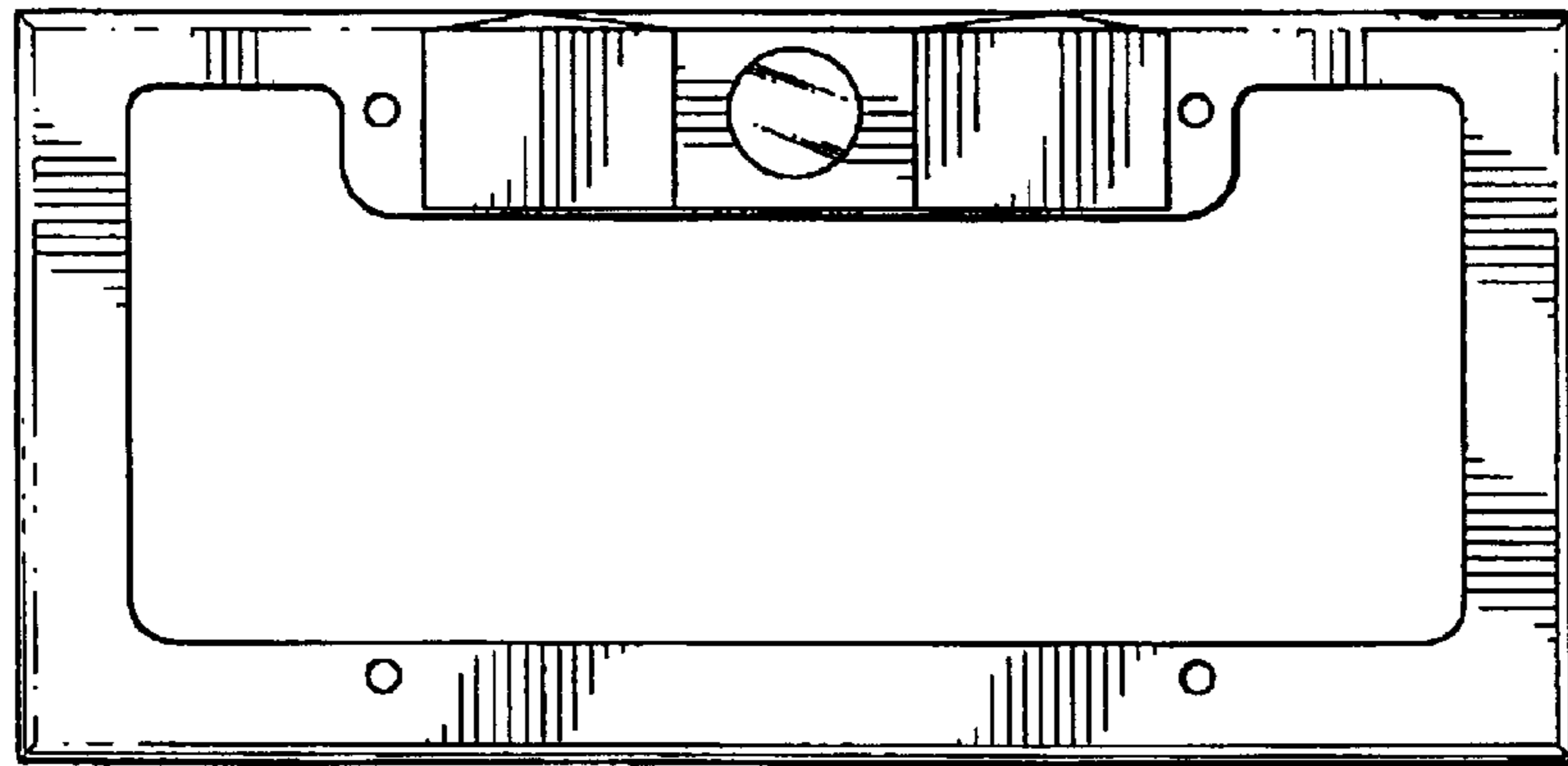


FIG. 3

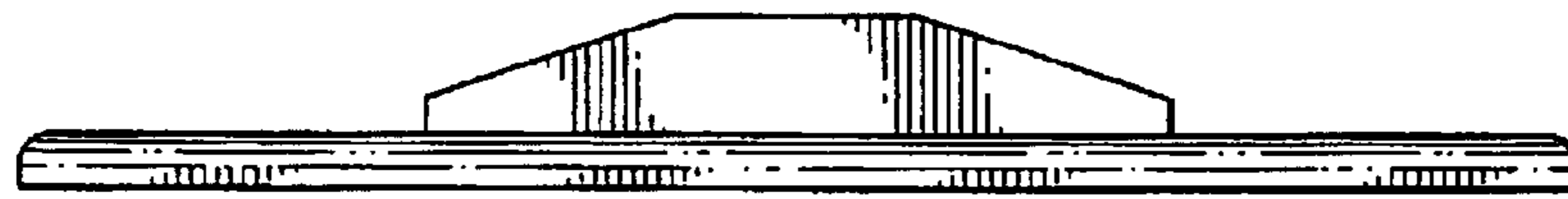


FIG. 4

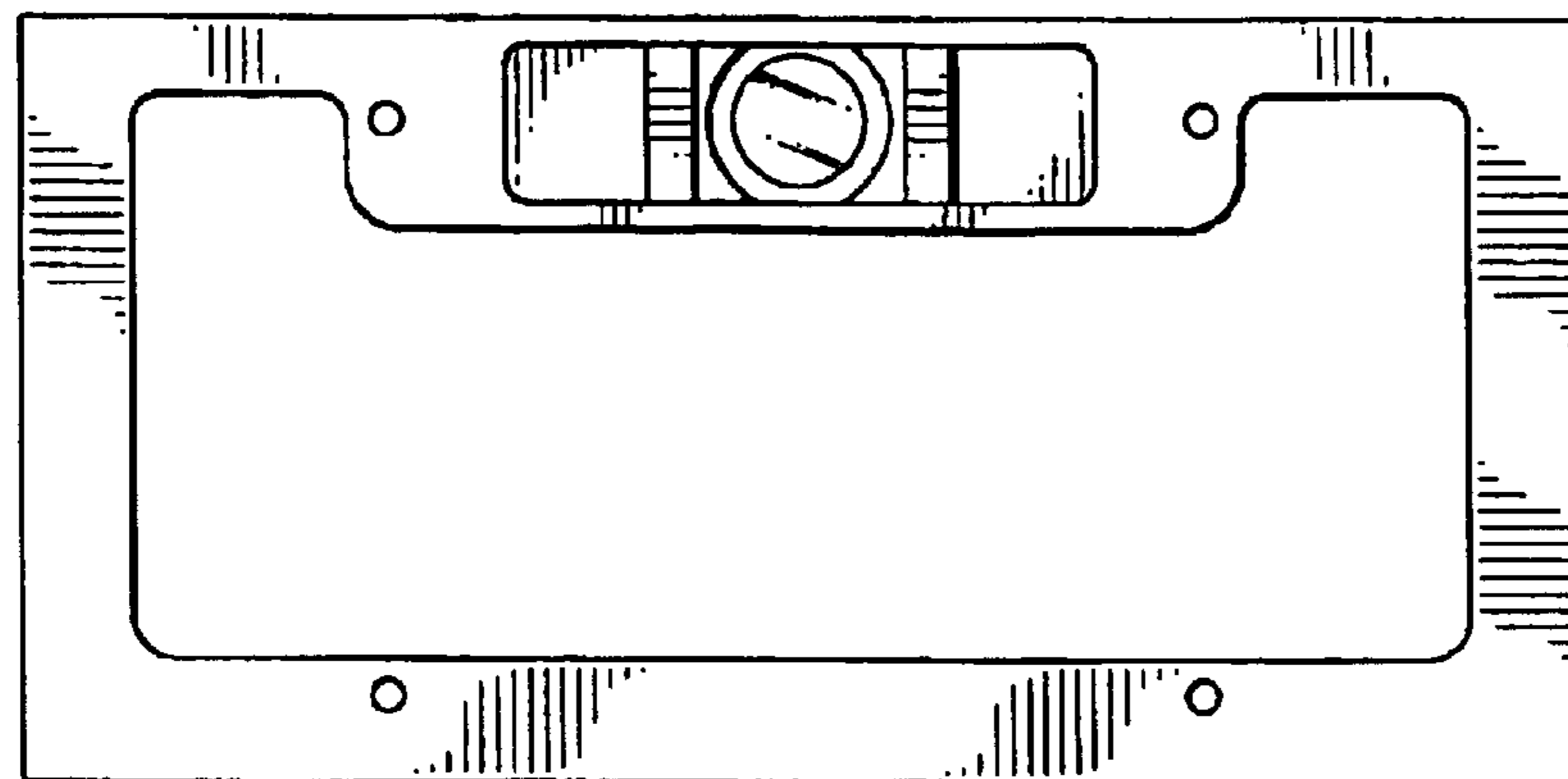


FIG. 5

FIG. 6