

US00D496306S1

(12) **United States Design Patent** (10) **Patent No.:** **US D496,306 S**
Chapman (45) **Date of Patent:** **** Sep. 21, 2004**

(54) **SURFACE CONFIGURATION OF A VEHICLE, TOY AND/OR OTHER REPLICAS**

(75) **Inventor:** **Christopher V. Chapman**, Simi Valley, CA (US)

(73) **Assignee:** **Bayerische Motoren Werke Aktiengesellschaft**, Munich (DE)

(**) **Term:** **14 Years**

(21) **Appl. No.:** **29/190,543**

(22) **Filed:** **Sep. 24, 2003**

(30) **Foreign Application Priority Data**

Mar. 3, 2003 (DE) 403 01 889

(51) **LOC (7) Cl.** **12-08**

(52) **U.S. Cl.** **D12/92**

(58) **Field of Search** D12/90-92, 86; D21/424, 433; 296/185

(56) **References Cited**

U.S. PATENT DOCUMENTS

D419,109 S	*	1/2000	Gabath	D12/91
D436,059 S	*	1/2001	Goplen	D12/91
D448,324 S	*	9/2001	Gabath	D12/92
D458,561 S	*	6/2002	van Hooydonk	D12/92
D469,038 S	*	1/2003	Mattin et al.	D12/91
D476,269 S	*	6/2003	Suzuki et al.	D12/91
D476,923 S	*	7/2003	Boyer	D12/92
D493,298 S	*	8/2003	Yanada et al.	D12/92
D487,414 S	*	3/2004	Wakao et al.	D12/91
D487,415 S	*	3/2004	Wakao et al.	D12/91

FOREIGN PATENT DOCUMENTS

WO DM/061794 8/2002

* cited by examiner

Primary Examiner—Melody N. Brown
(74) *Attorney, Agent, or Firm*—Crowell & Moring LLP

(57) **CLAIM**

The ornamental design for a surface configuration of a vehicle, toy and/or other replicas, as shown and described.

DESCRIPTION

This application is related to the following co-pending applications, of the inventor, filed Sep. 2, 2003: application Ser. No. 29/189,171, entitled "Surface Configuration of a Vehicle, Toy and/or Other Replicas"; application Ser. No. 29/189,173, entitled "Surface Configuration of a Rear Door for a Vehicle"; application Ser. No. 29/189,174, entitled "Surface Configuration of a Front Bumper for a Vehicle"; and application Ser. No. 29/189,175, entitled "Roof Antenna for a Vehicle".

FIG. 1 is a front view of a surface configuration of a vehicle, toy and/or other replicas according to my novel design;

FIG. 2 is a left, front perspective view of the surface configuration of a vehicle, toy and/or other replicas according to my novel design, the right, front perspective view being mirror symmetrical;

FIG. 3 is a left side view of the surface configuration of a vehicle, toy and/or other replicas according to my novel design;

FIG. 4 is a right side view of the surface configuration of a vehicle, toy and/or other replicas according to my novel design;

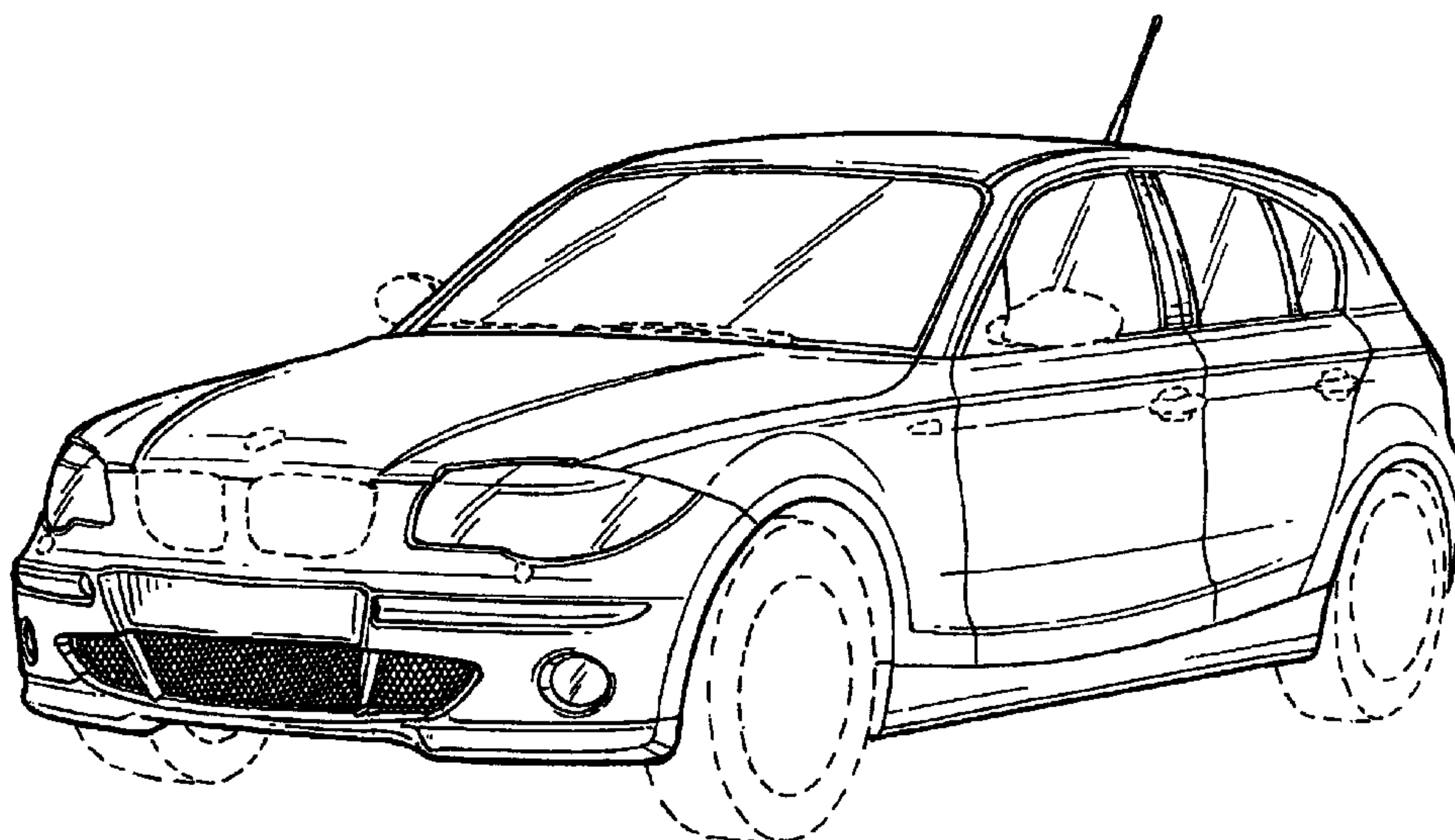
FIG. 5 is a rear view of the surface configuration of a vehicle, toy and/or other replicas according to my novel design;

FIG. 6 is a left, rear perspective view of the surface configuration of a vehicle, toy and/or other replicas according to my novel design, the right, rear perspective view being mirror symmetrical; and,

FIG. 7 is a top view of the surface configuration of a vehicle, toy and/or other replicas according to my novel design.

The broken lines are for illustrative purposes only and form no part of the claimed design.

1 Claim, 6 Drawing Sheets



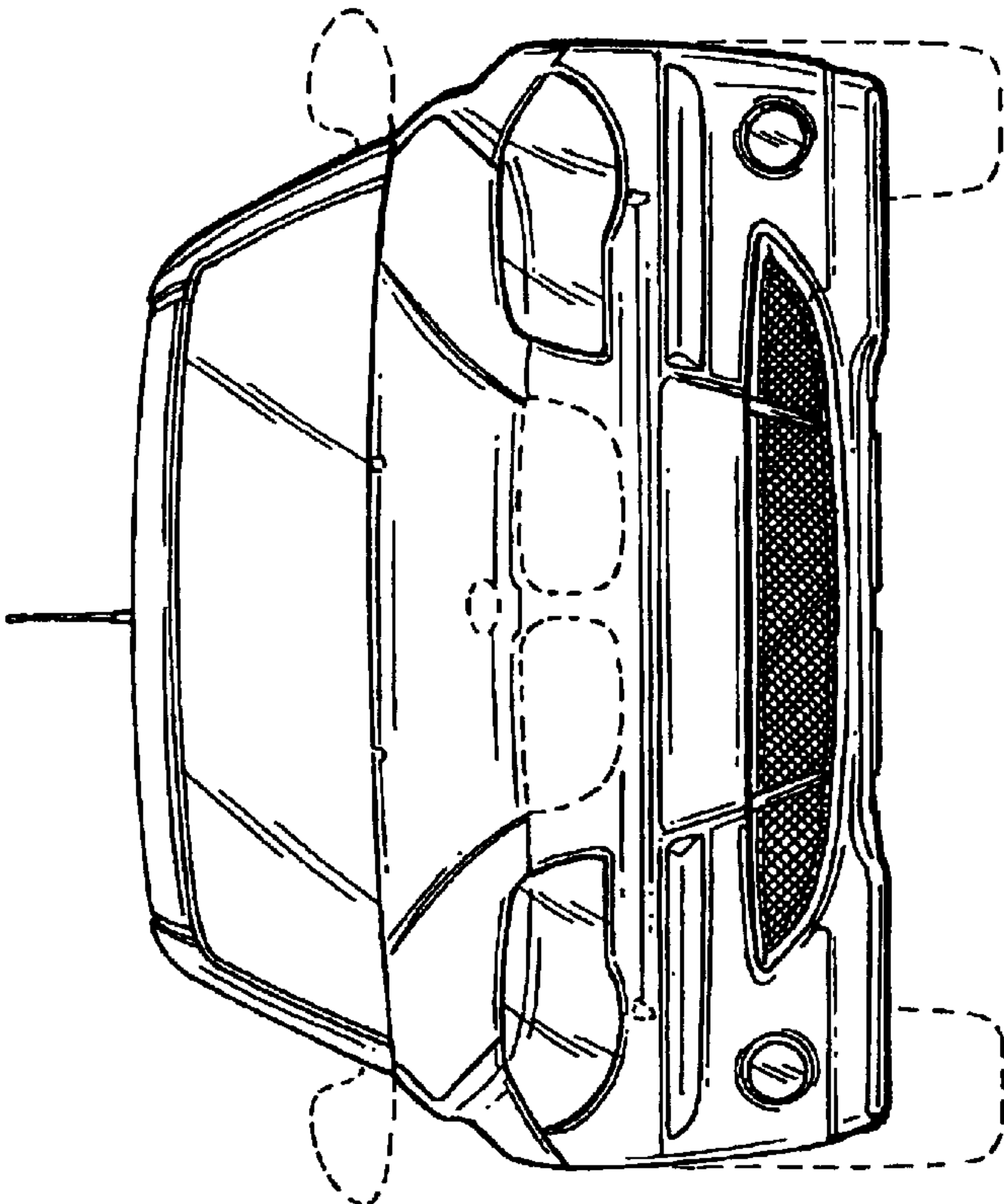


FIG. 1

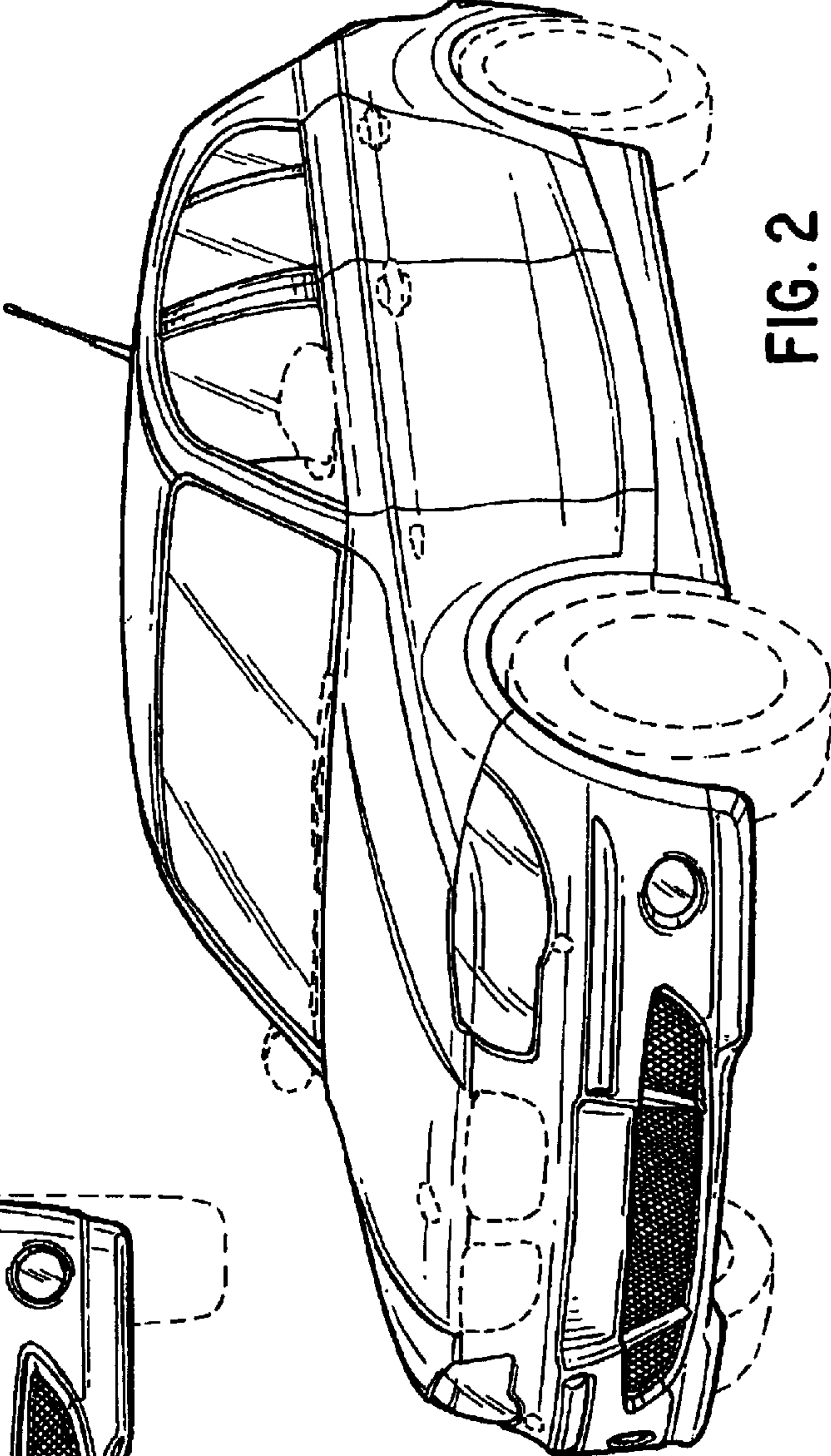


FIG. 2

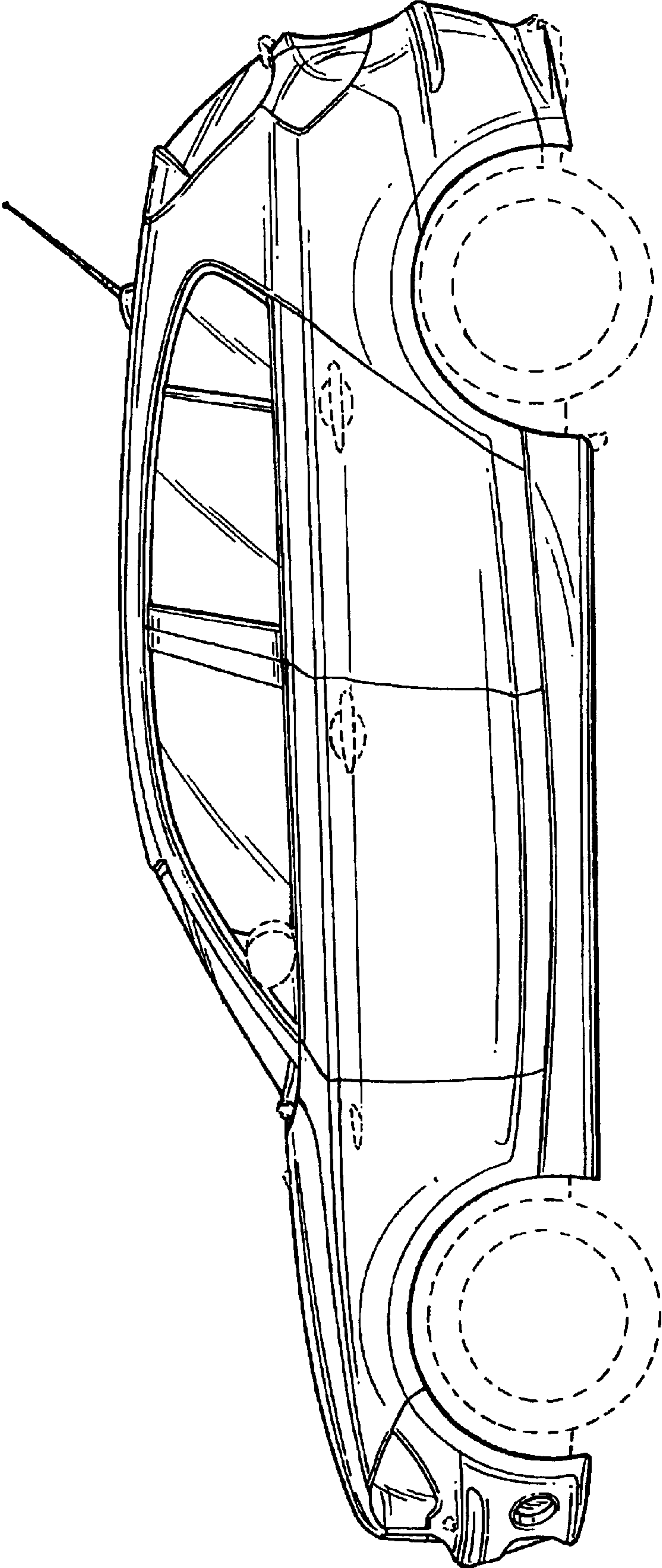


FIG. 3

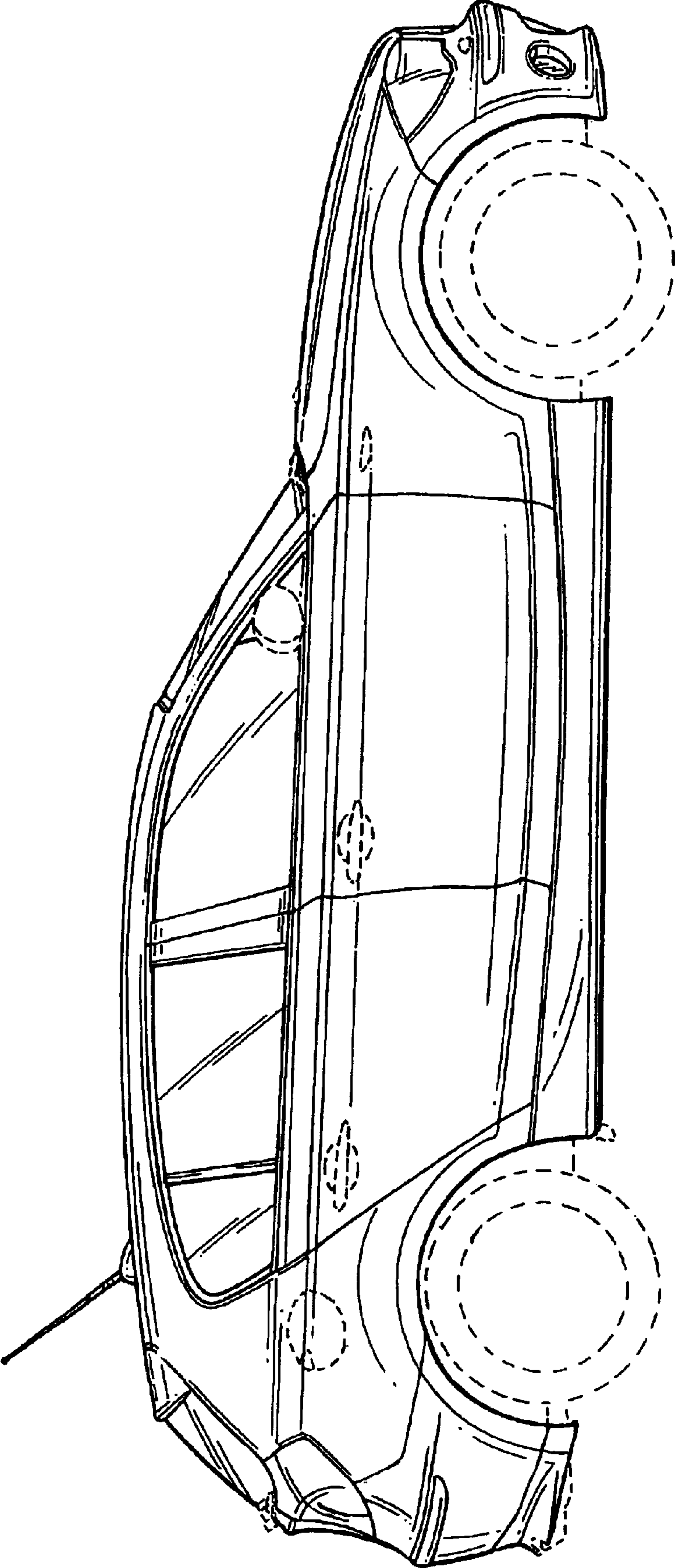


FIG. 4

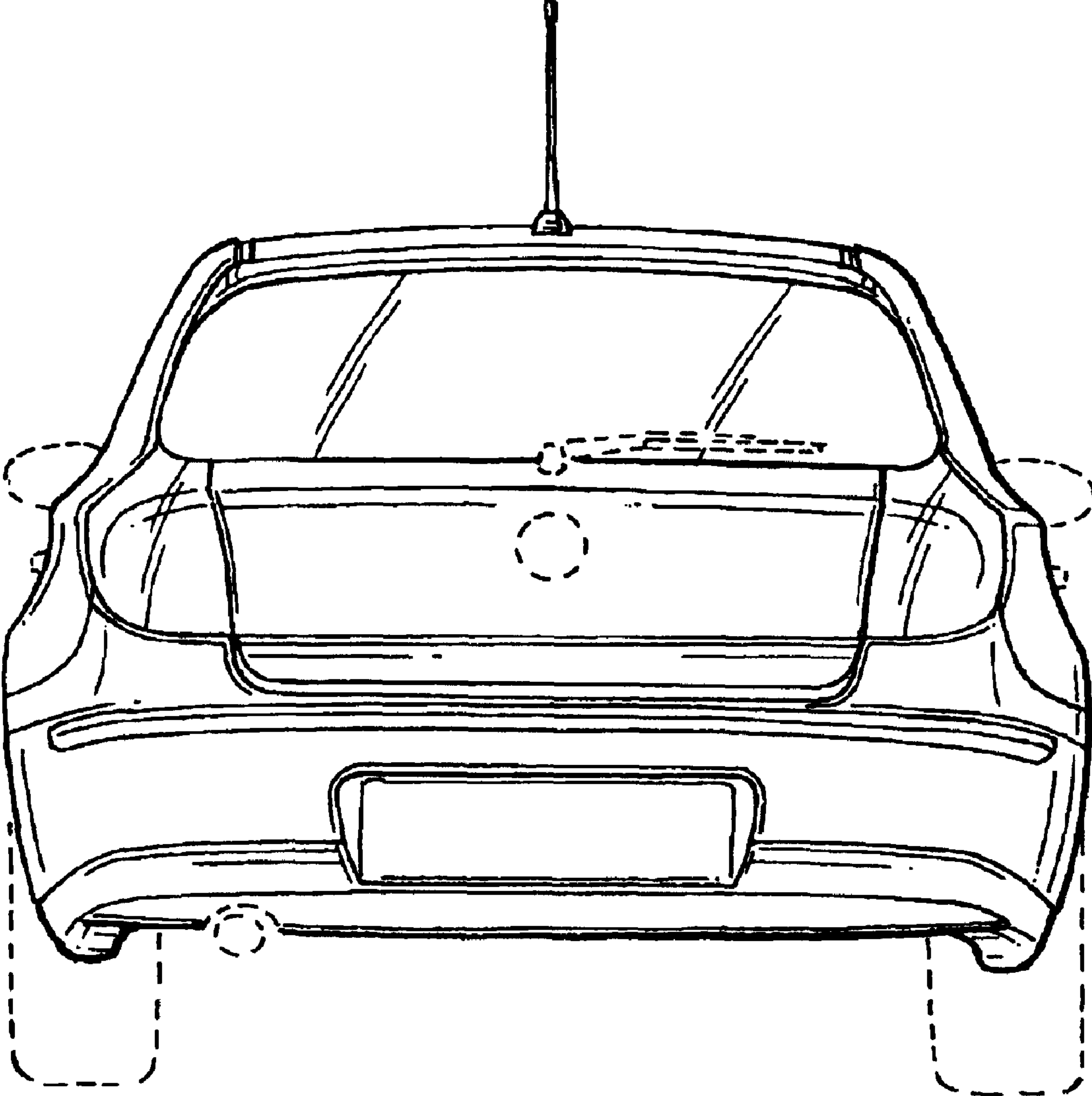


FIG. 5

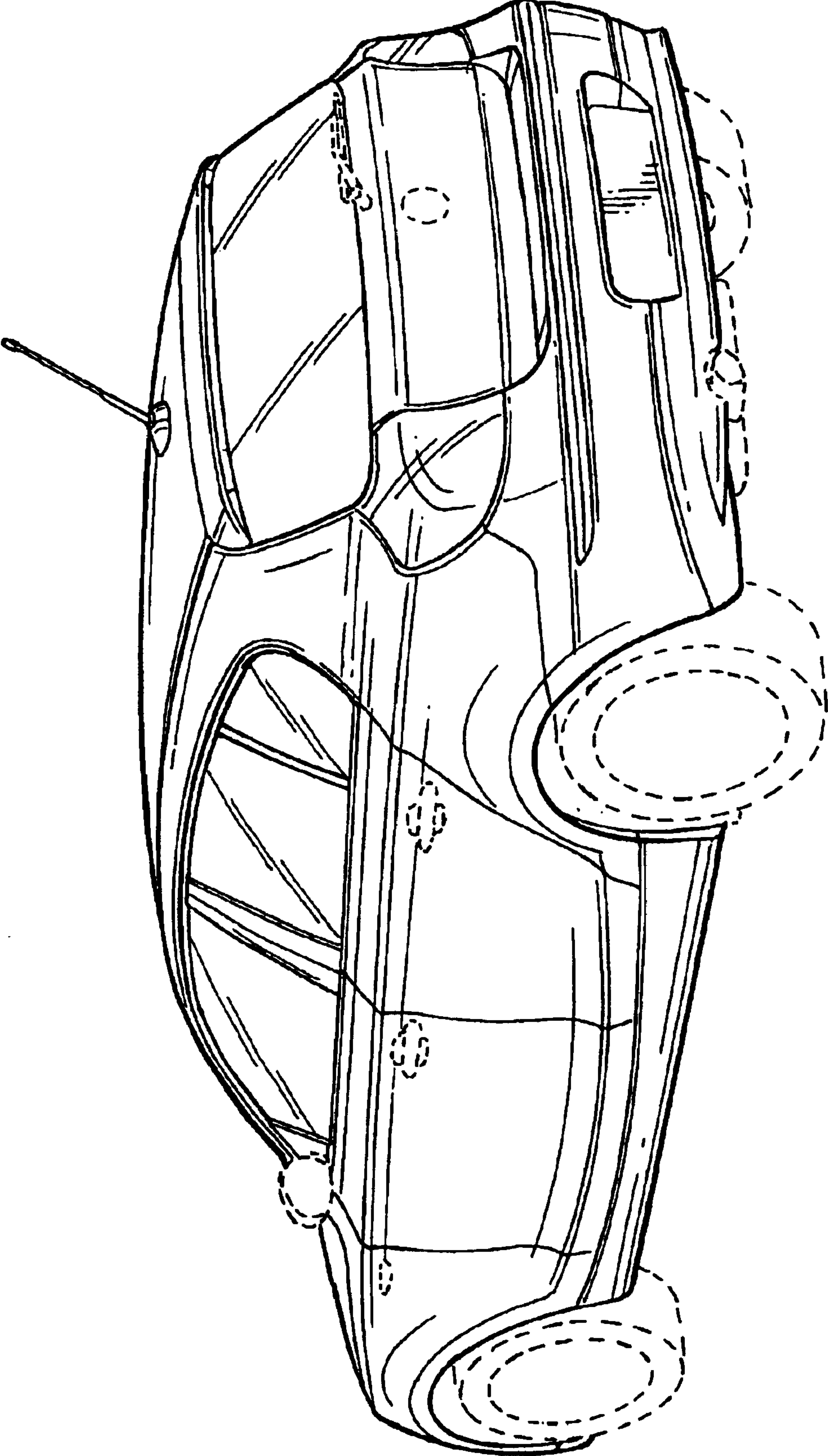


FIG. 6

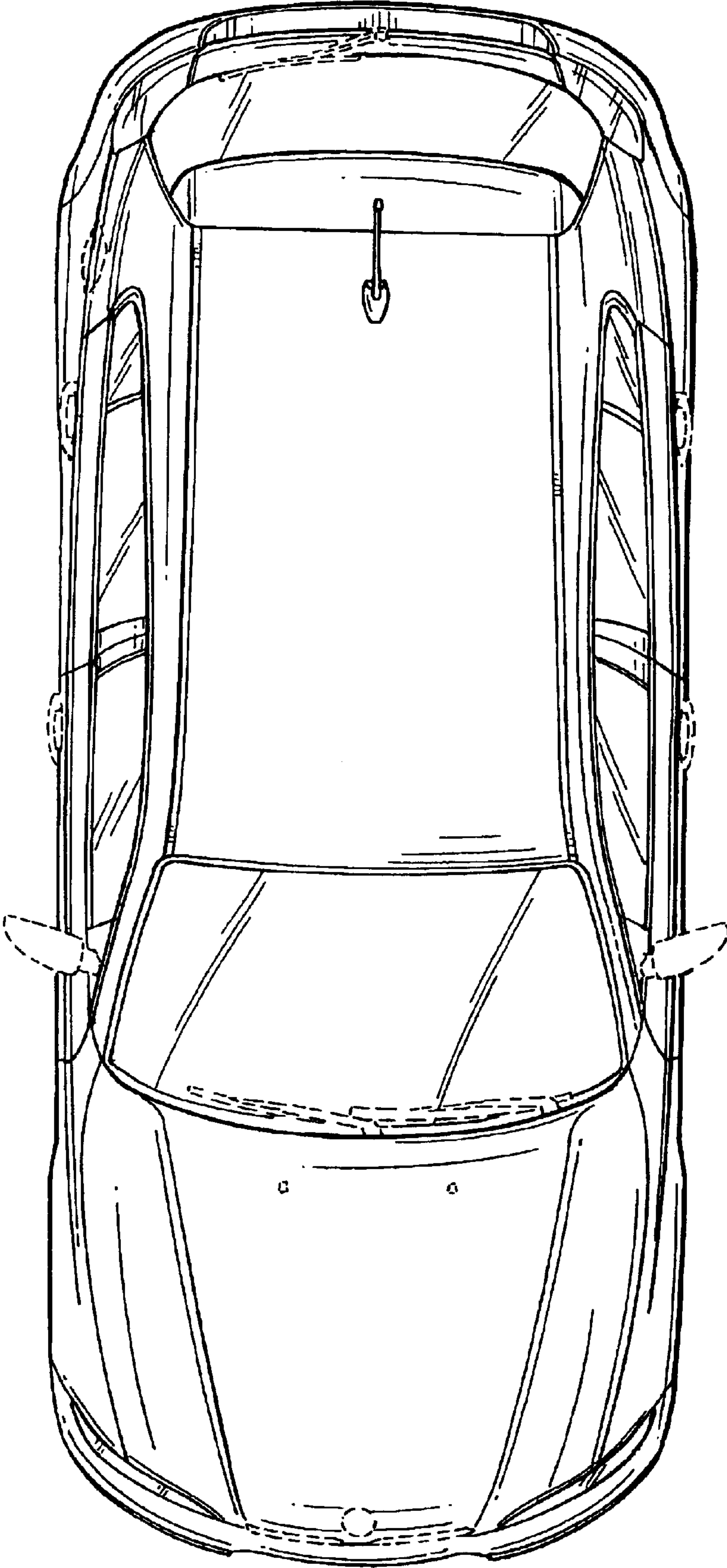


FIG. 7