

US00D496299S1

(12) **United States Design Patent**
Ljahnicky et al.

(10) **Patent No.: US D496,299 S**

(45) **Date of Patent: ** Sep. 21, 2004**

(54) **SPATIAL HEART JEWELRY**

(75) **Inventors:** **Andrea Ljahnicky**, 31-40 30 St., Apt 4D, Long Island City, NY (US) 11106;
Aleksandar Ljahnicky, 31-40 30 St., Apt 4D, Long Island City, NY (US) 11106

(73) **Assignees:** **Andrea Ljahnicky**, NY (US);
Aleksandar Ljahnicky, NY (US)

(**) **Term: 14 Years**

(21) **Appl. No.: 29/187,800**

(22) **Filed: Jan. 8, 2004**

(51) **LOC (7) Cl. 11-01**

(52) **U.S. Cl. D11/81**

(58) **Field of Search** D11/1-2, 40-43,
D11/44, 48-49, 53, 56-57, 59, 60, 63,
65, 79-82, 83, 91, 95-97, 99-101, 106,
141, 114-115, 117, 121, 125, 131, 142;
63/1.11, 18-20; D3/207-211; D21/435,
465, 467

(56) **References Cited**

U.S. PATENT DOCUMENTS

D150,511 S * 8/1948 O'Brien D11/125
D240,257 S * 6/1976 Roberts D11/83
D391,192 S * 2/1998 Speedling et al. D11/131
D394,826 S * 6/1998 Speedling et al. D11/131

* cited by examiner

Primary Examiner—Ralf Seifert

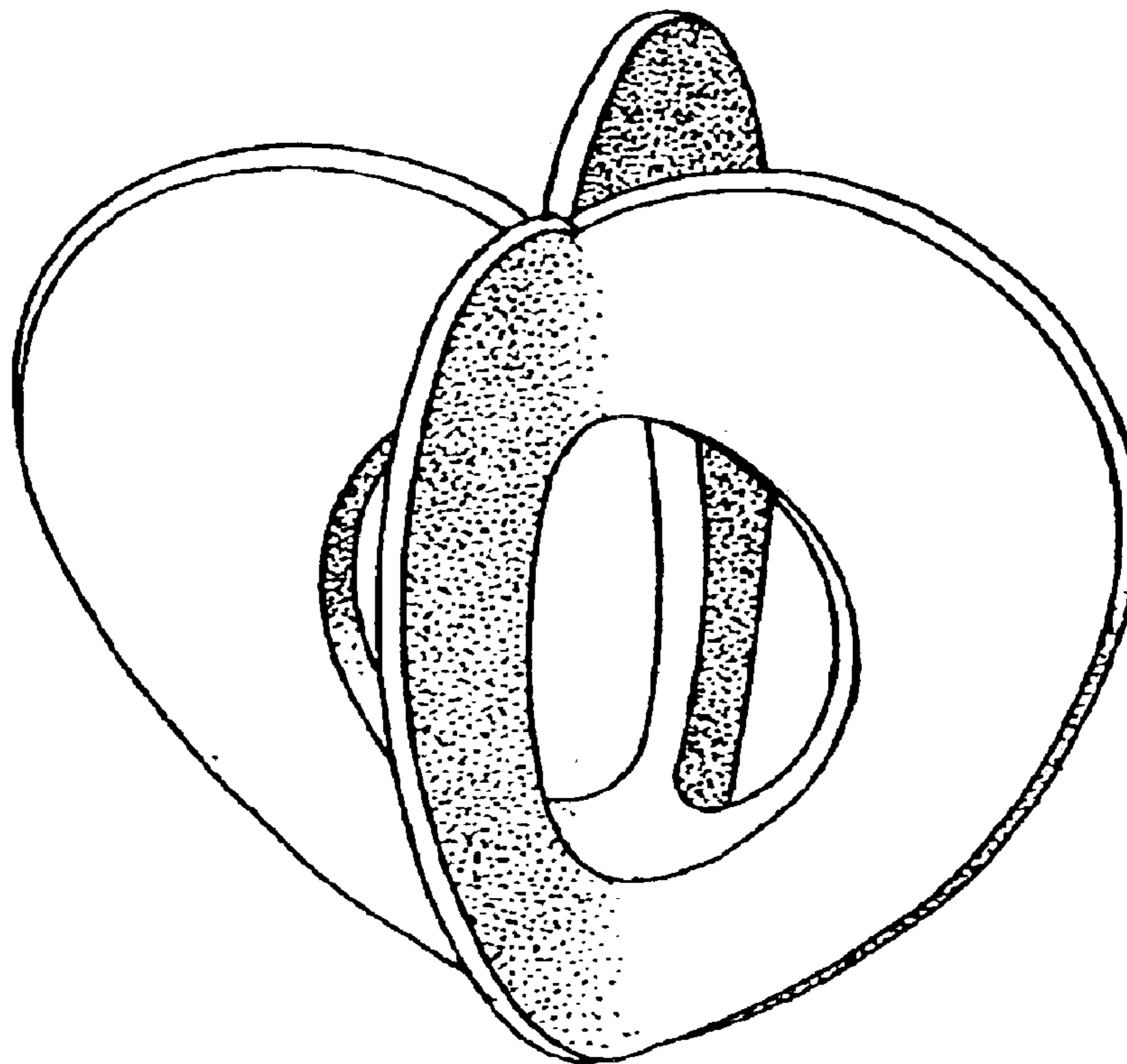
(57) **CLAIM**

The ornamental design for a spatial heart jewelry, as shown and described.

DESCRIPTION

FIG. 1 is a front elevational view of a spatial heart jewelry showing our new design;
FIG. 2 is a horizontal section thereof;
FIG. 3 is a top plan view thereof; and,
FIG. 4 is a perspectival view thereof.

1 Claim, 1 Drawing Sheet



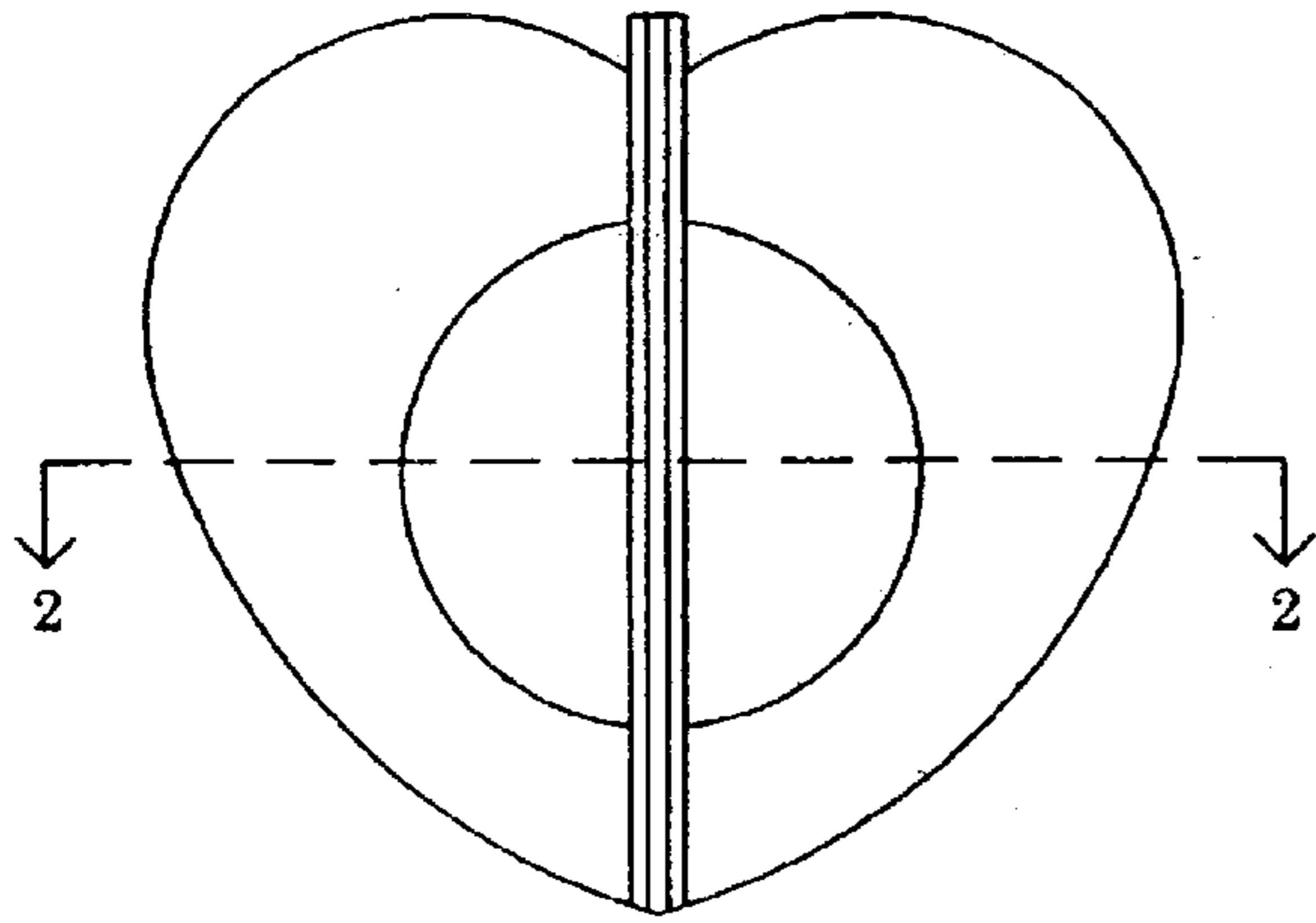


Fig. 1

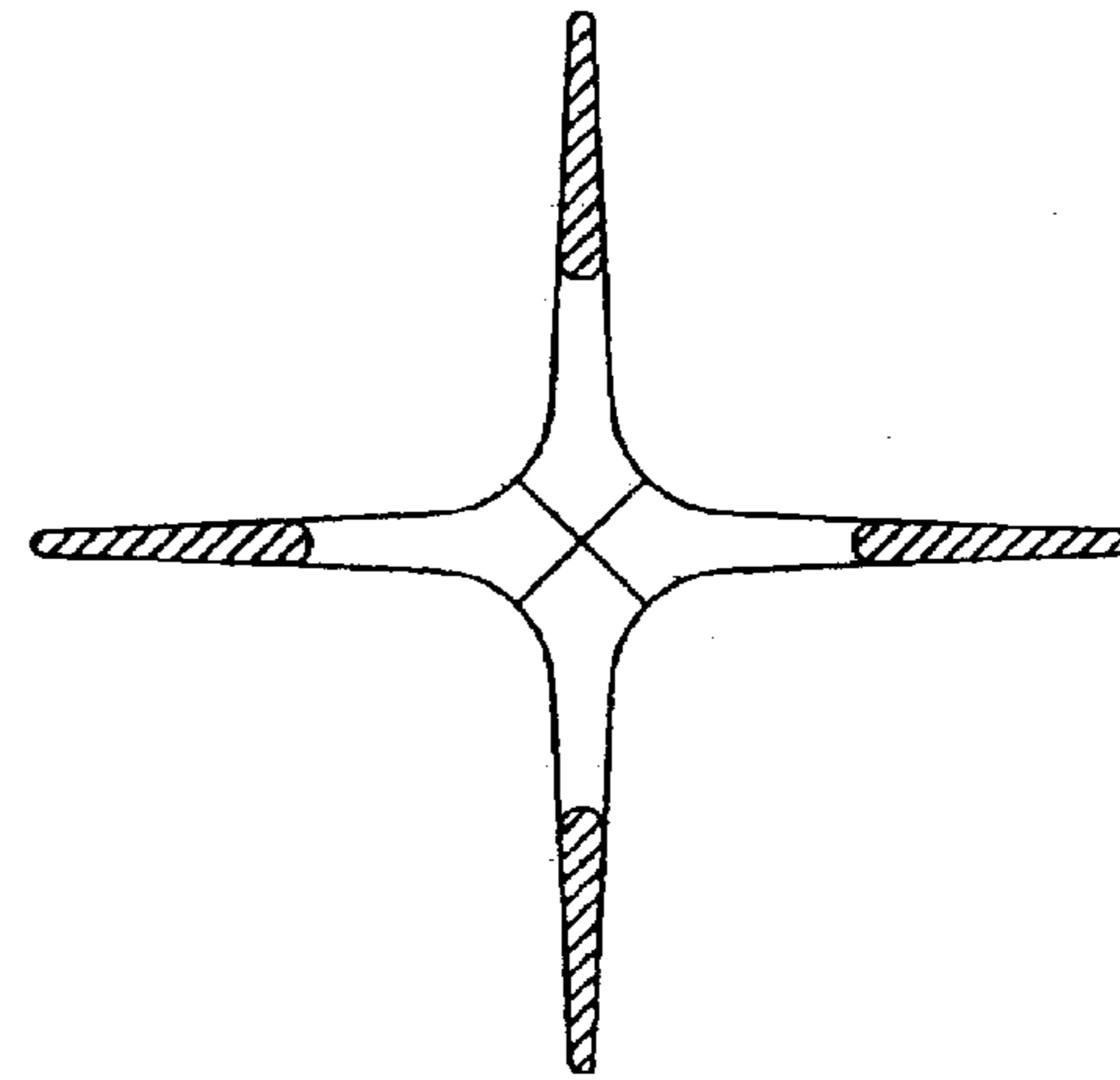


Fig. 2

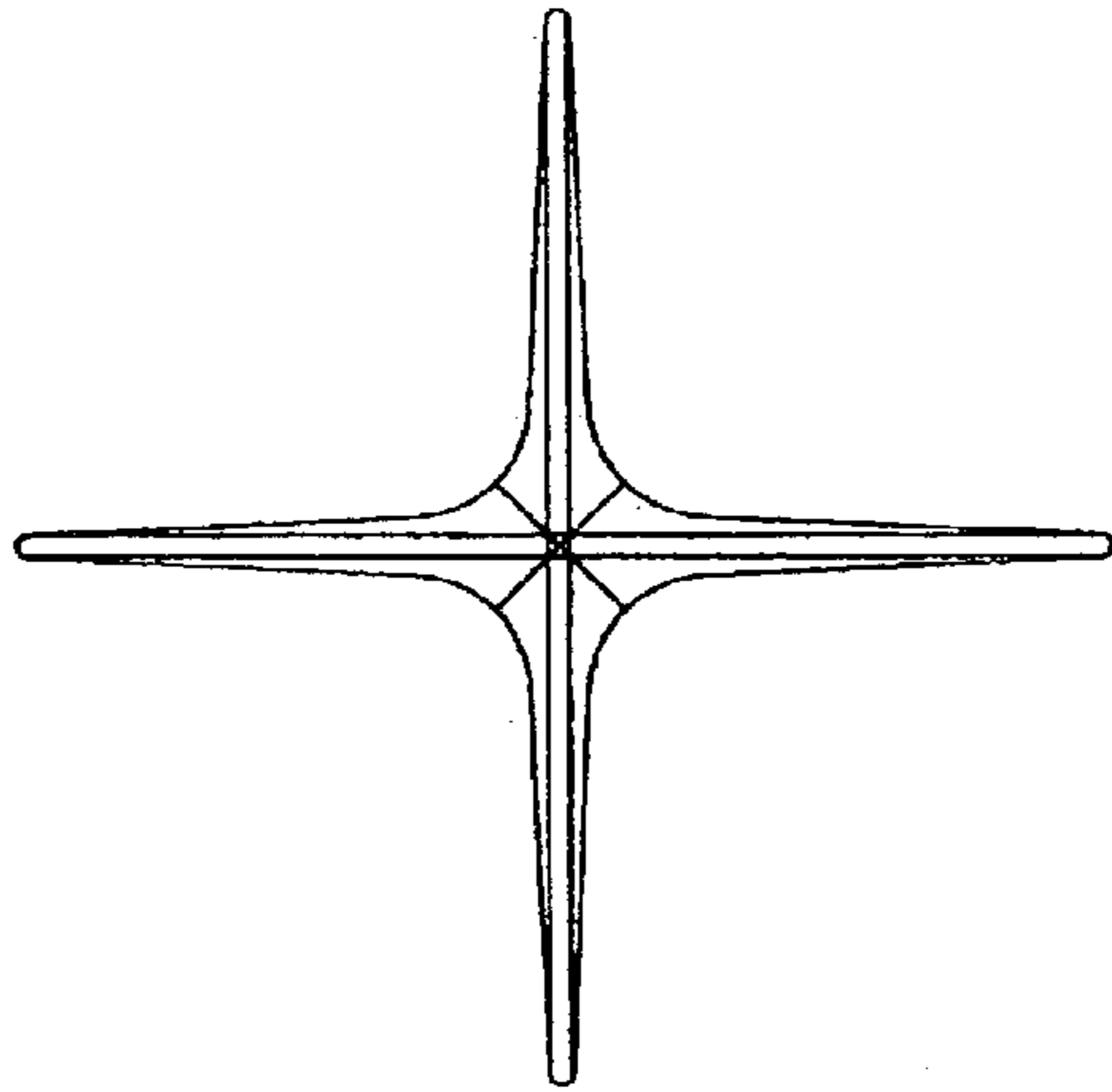


Fig. 3

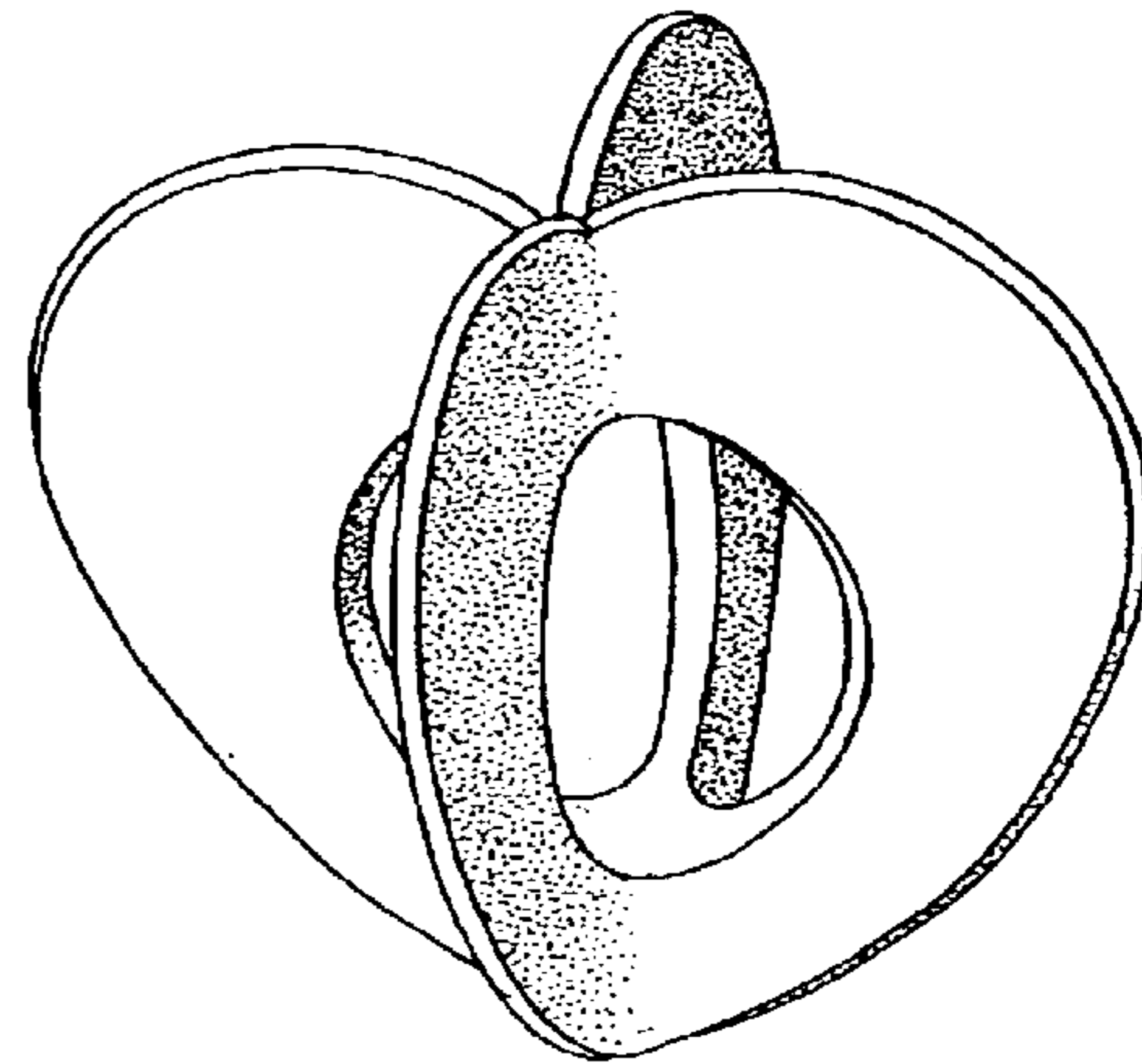


Fig. 4