

US00D496293S1

(12) **United States Design Patent** (10) **Patent No.:** **US D496,293 S**
Clontz et al. (45) **Date of Patent:** **** Sep. 21, 2004**

(54) **TAPE MEASURE**
 (75) Inventors: **William C. Clontz**, Greensboro, NC
 (US); **George P. Harris**, Dunedin, FL
 (US)
 (73) Assignee: **U.S. Tape Company, Inc.**, Patchoque,
 NY (US)
 (**) Term: **14 Years**

4,434,952 A	3/1984	Czerwinski et al.	242/107
4,930,227 A	6/1990	Ketchpel	33/755
4,972,601 A	11/1990	Bickford et al.	33/770
5,119,521 A	6/1992	Clontz	7/164
D342,687 S	12/1993	Kang	D10/72
D440,891 S *	4/2001	Ponce	D10/72
6,324,769 B1	12/2001	Murray	33/755
D453,302 S	2/2002	Liu	D10/72
6,349,482 B1 *	2/2002	Gilliam	33/767
D473,807 S *	4/2003	Bohnengel	D10/72

(21) Appl. No.: **29/194,385**
 (22) Filed: **Nov. 24, 2003**

* cited by examiner

Primary Examiner—Antoine D. Davis
 (74) *Attorney, Agent, or Firm*—MacCord Mason PLLC

Related U.S. Application Data

(63) Continuation of application No. 29/166,124, filed on Aug. 22, 2002, now abandoned.
 (51) **LOC (7) Cl.** **10-04**
 (52) **U.S. Cl.** **D10/72**
 (58) **Field of Search** D10/72; 33/755-769;
 242/292, 381.4, 381.6

(57) **CLAIM**

The ornamental design for a tape measure, as shown and described.

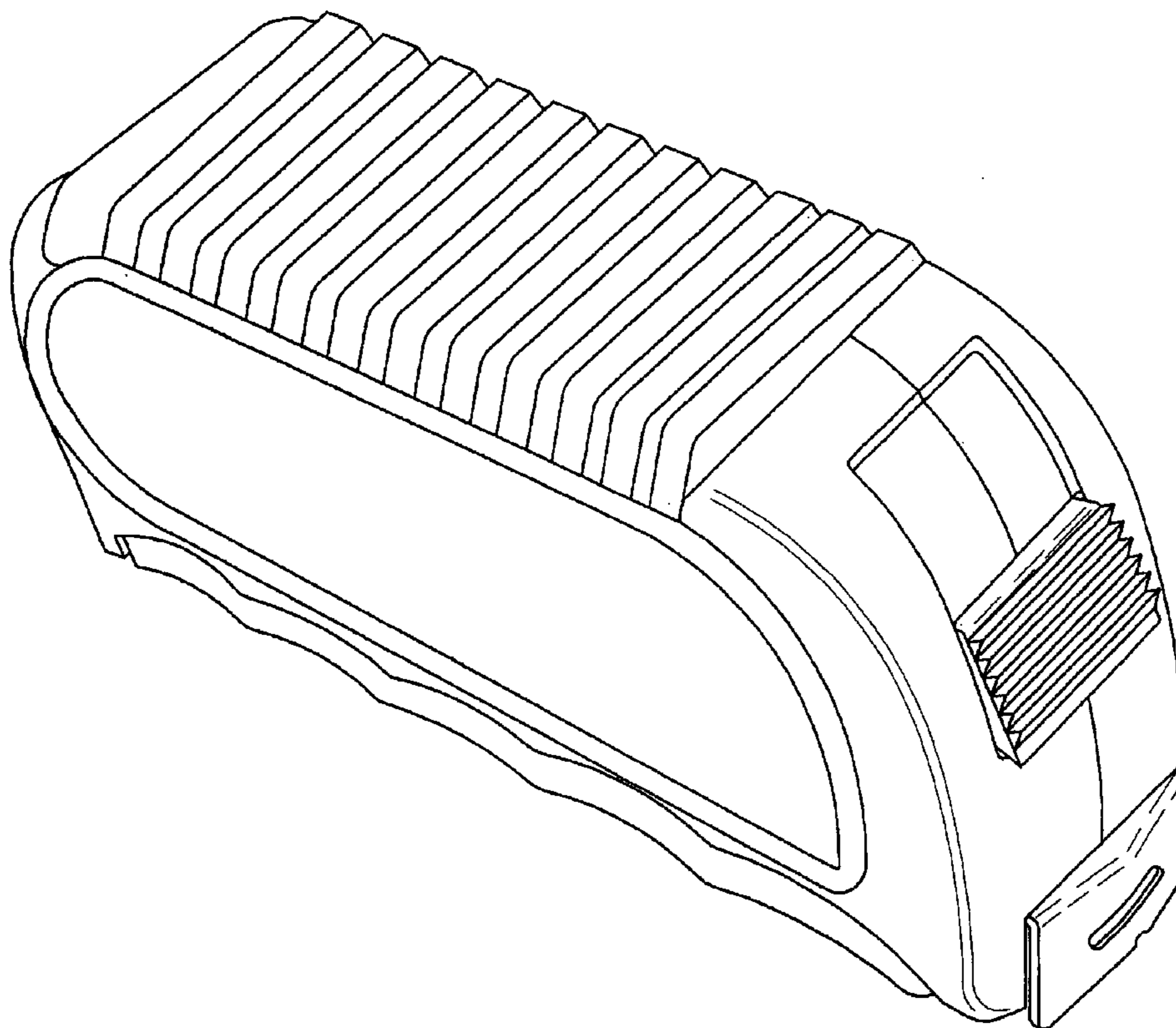
DESCRIPTION

FIG. 1 is a perspective view of a tape measure showing my new design;
 FIG. 2 is a front view thereof;
 FIG. 3 is a back view thereof;
 FIG. 4 is an end view thereof;
 FIG. 5 is an opposite end view;
 FIG. 6 is a top view; and,
 FIG. 7 is a bottom view.

(56) **References Cited**
U.S. PATENT DOCUMENTS

889,570 A	6/1908	Ayers	
1,218,798 A	3/1917	Nelson	
3,119,424 A	1/1964	Henry	145/64
4,153,996 A	5/1979	Rutty	33/138

1 Claim, 6 Drawing Sheets



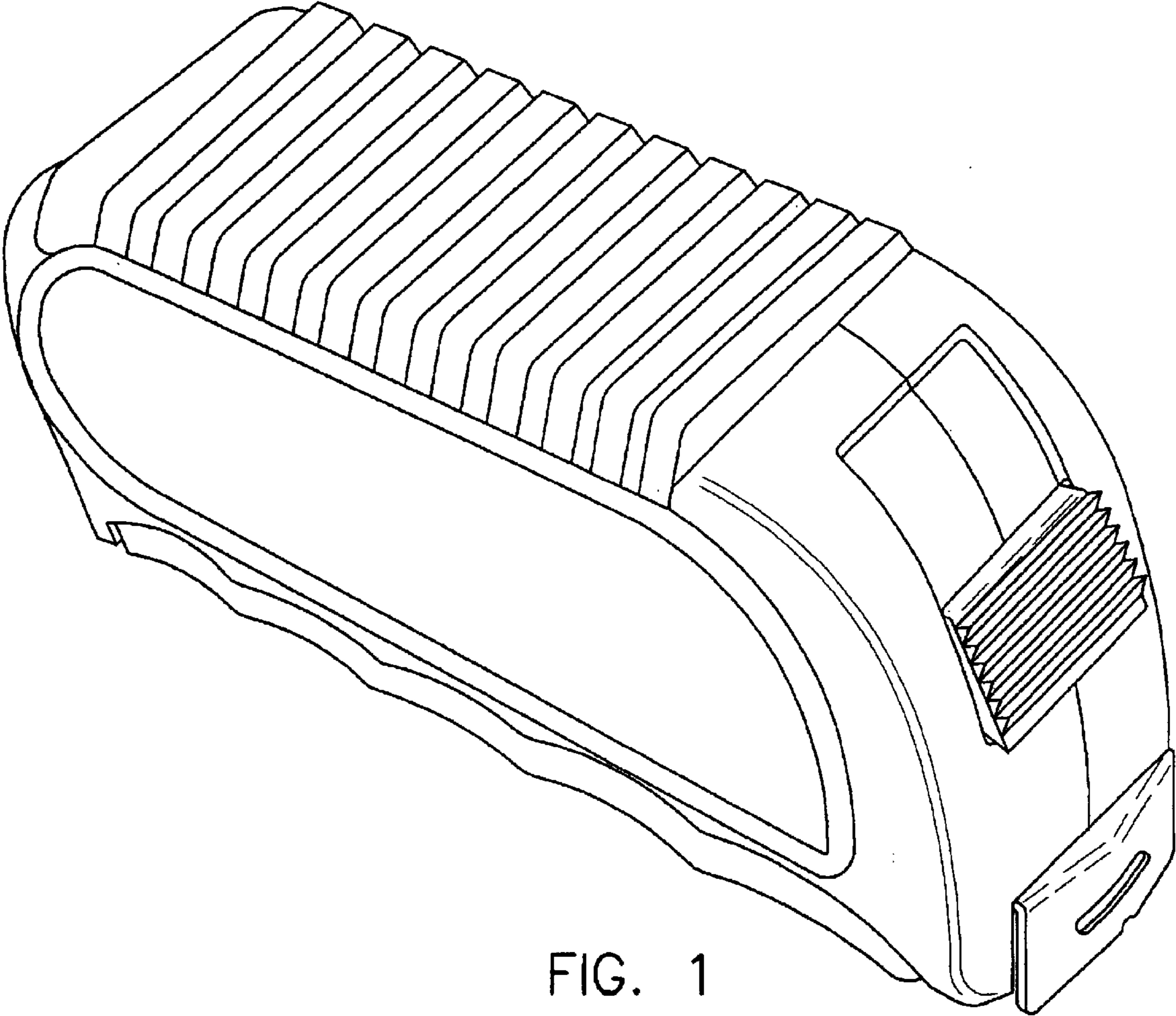


FIG. 1

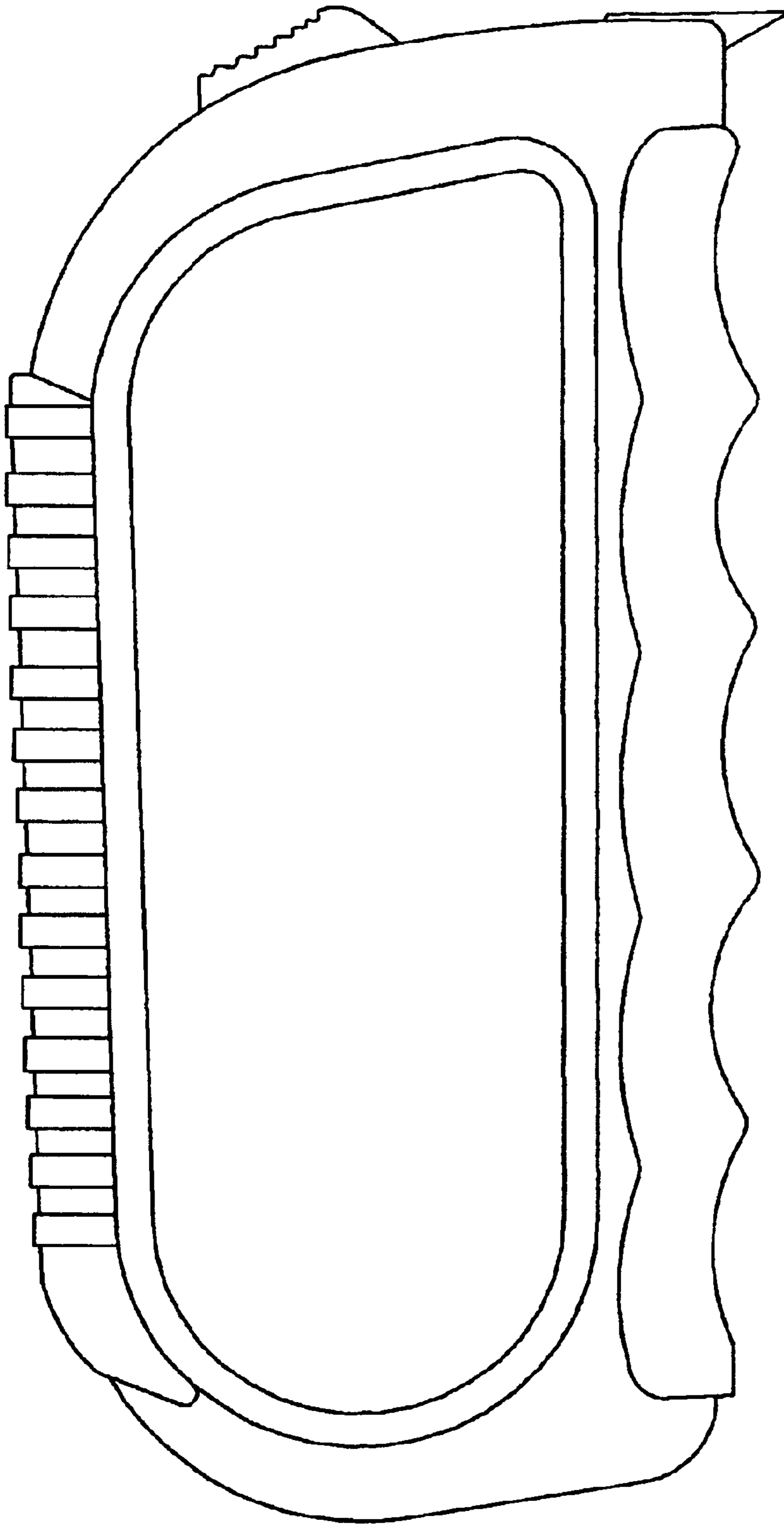


FIG. 2

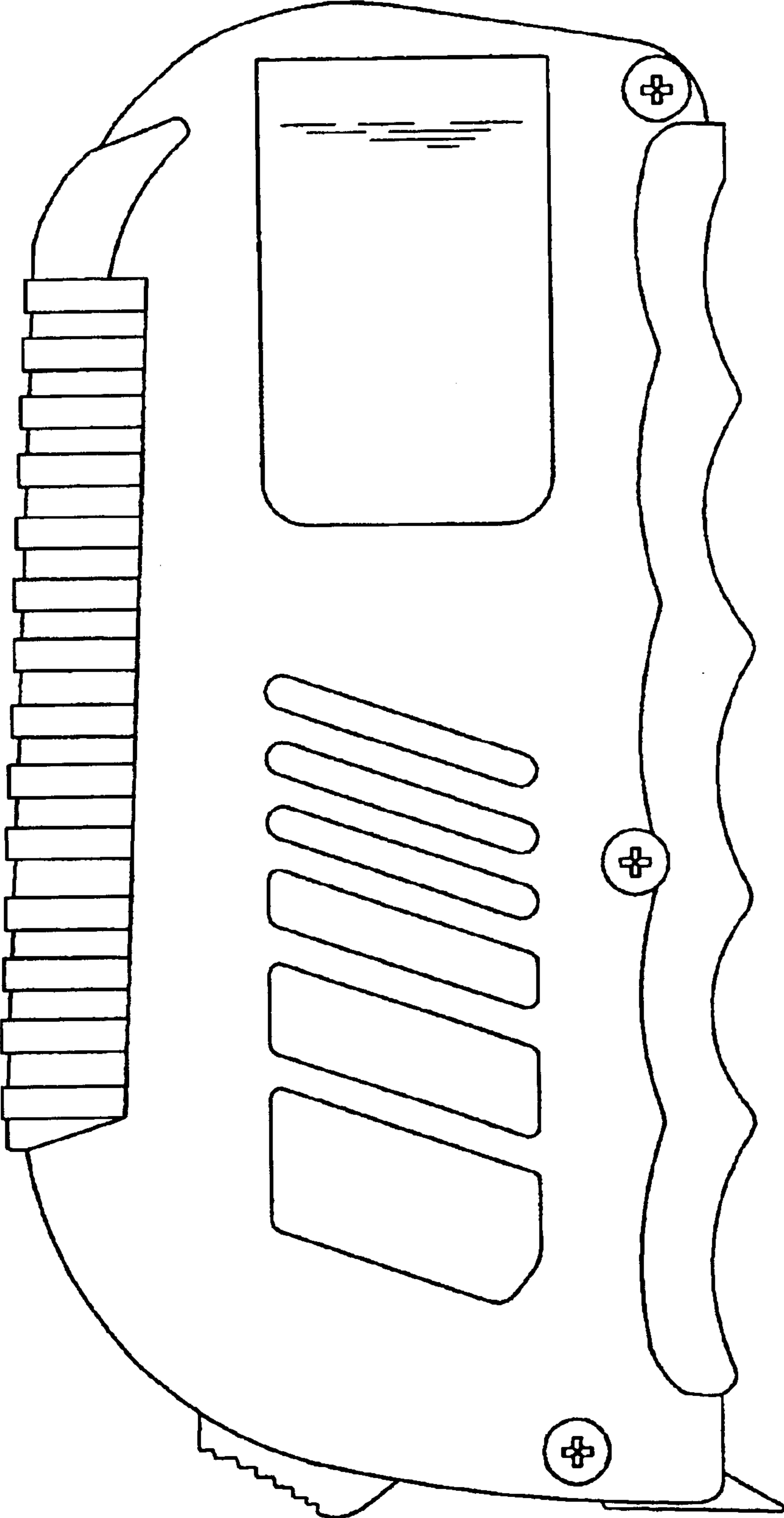


FIG. 3

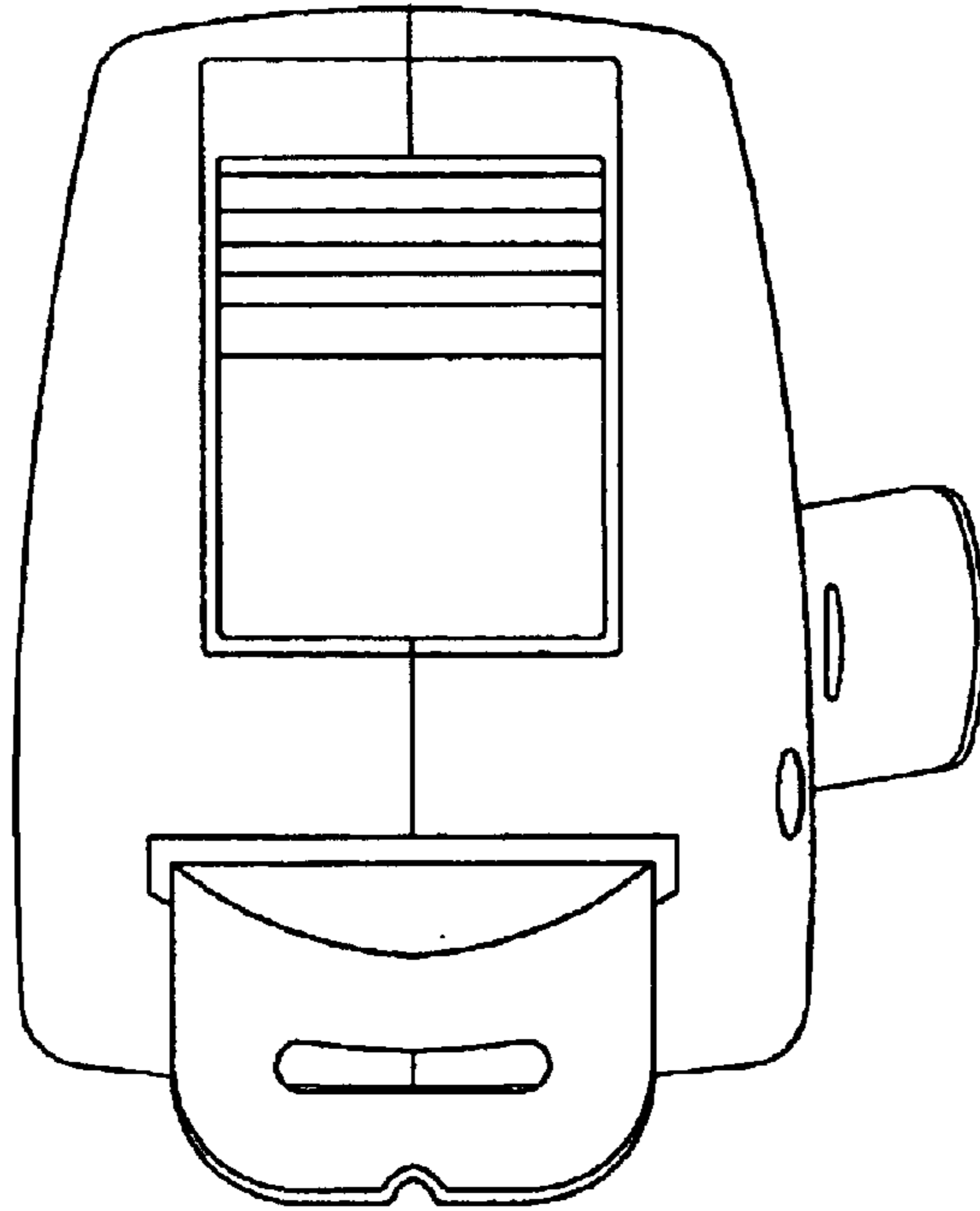


FIG. 4

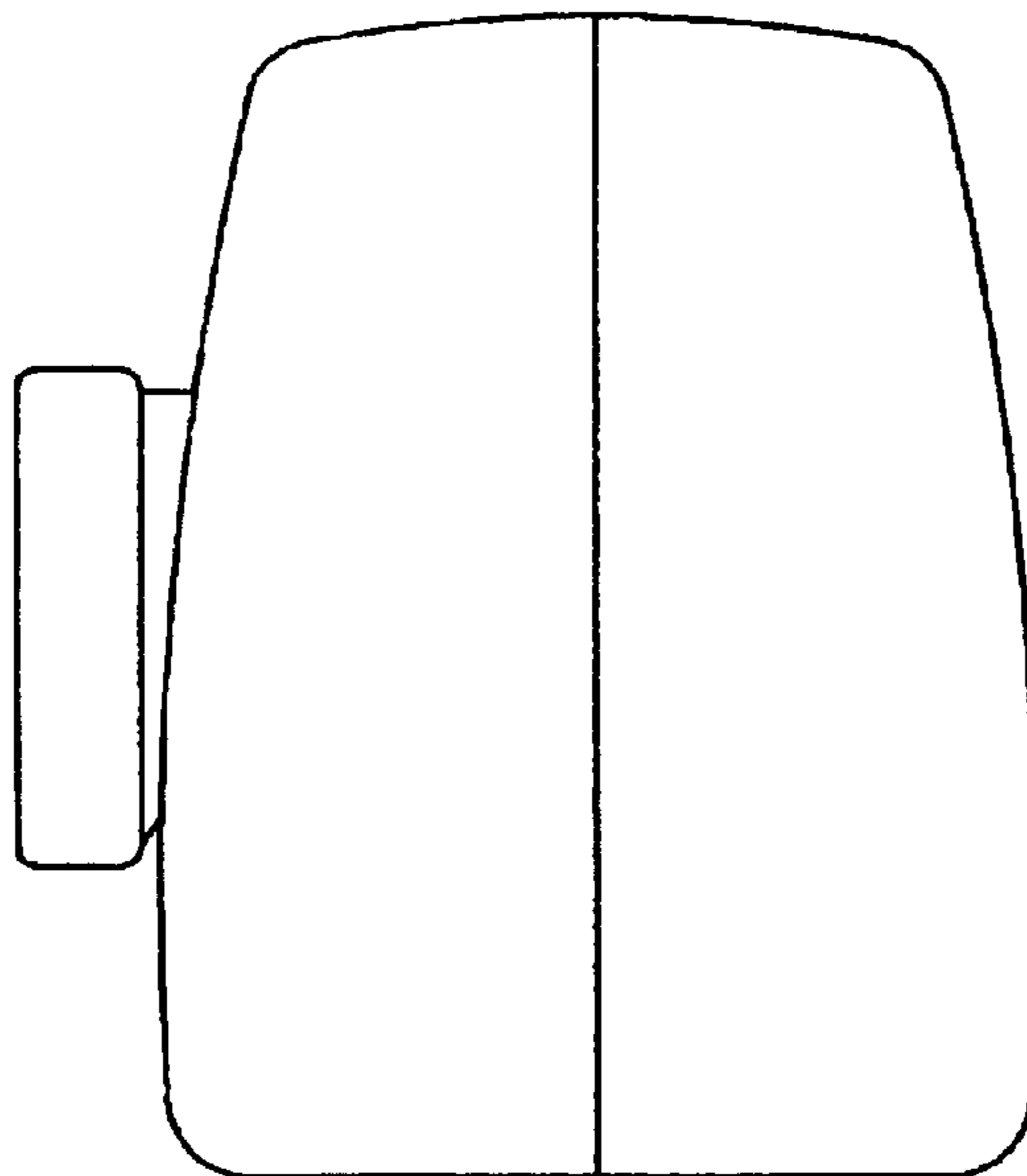


FIG. 5

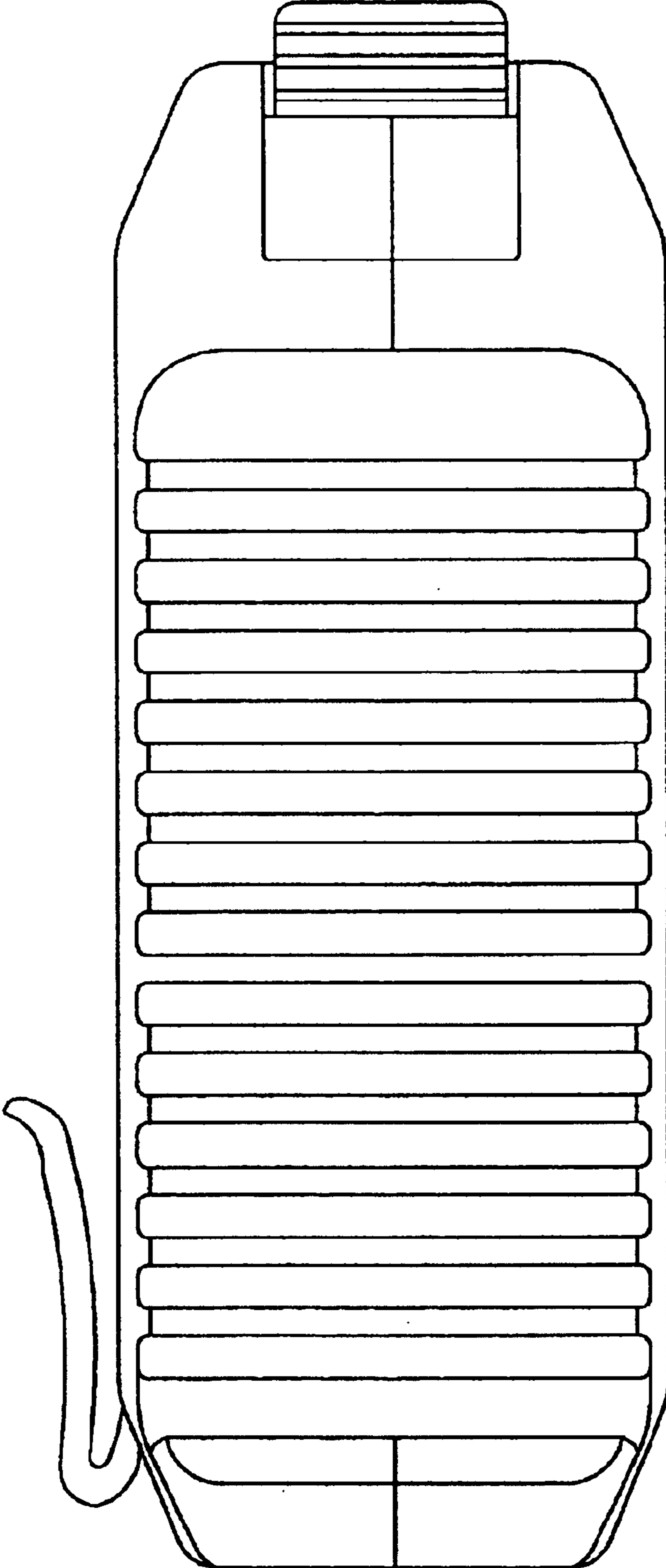


FIG. 6

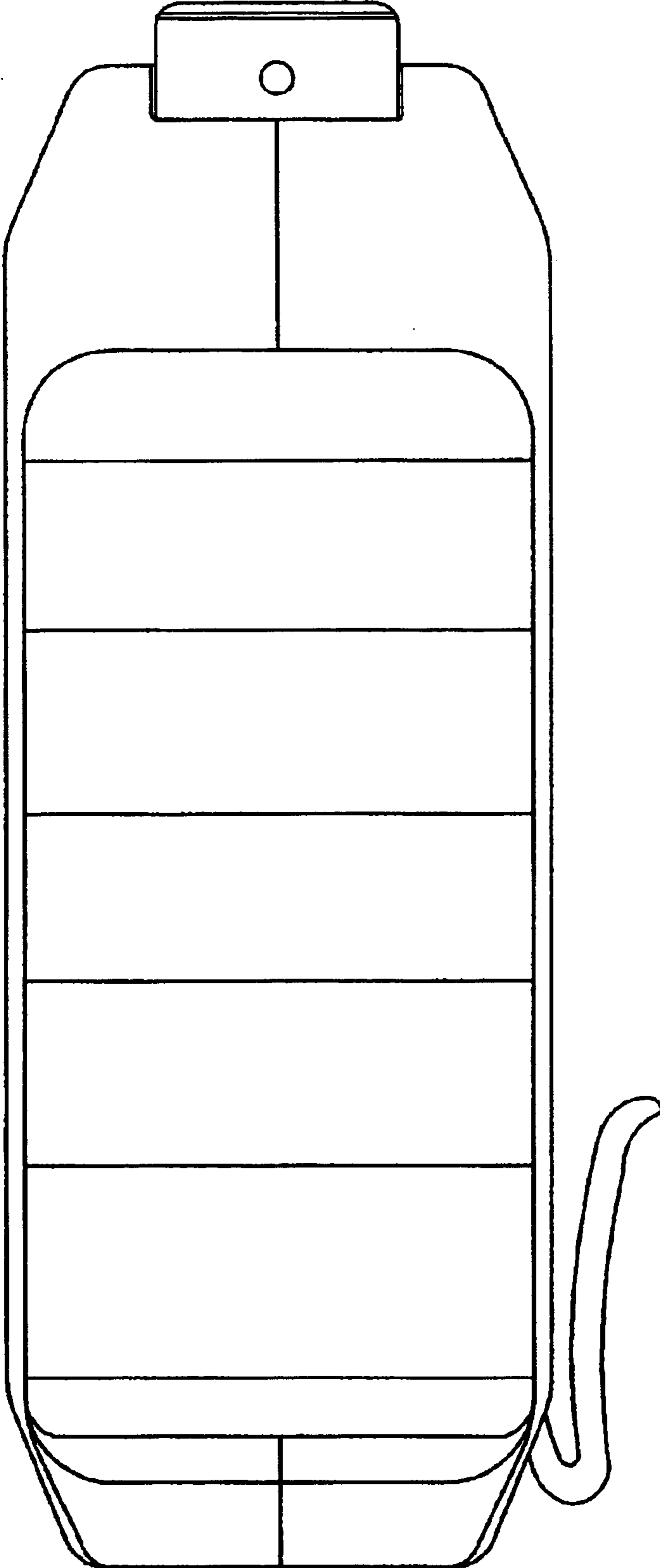


FIG. 7