



US00D496292S1

(12) **United States Design Patent** (10) **Patent No.:** **US D496,292 S**  
**Sowers** (45) **Date of Patent:** **\*\* Sep. 21, 2004**

- (54) **MAGNETIC DETECTOR WITH EXTENDABLE WAND**
- (75) Inventor: **Kenneth George Sowers**, Frederick, MD (US)
- (73) Assignee: **Schonstedt Instrument Company**, Kearneysville, WV (US)
- (\*\*) Term: **14 Years**
- (21) Appl. No.: **29/174,658**
- (22) Filed: **Jan. 23, 2003**
- (51) **LOC (7) Cl.** ..... **10-04**
- (52) **U.S. Cl.** ..... **D10/47**
- (58) **Field of Search** ..... D10/47; 324/67, 324/326, 328, 345, 207.17, 207.26, 233, 247, 329, 346; 175/45; 340/368; 342/59

- (56) **References Cited**
- U.S. PATENT DOCUMENTS
- |             |          |                  |              |
|-------------|----------|------------------|--------------|
| D215,618 S  | 10/1969  | MacCotter        |              |
| D251,364 S  | * 3/1979 | Henault et al.   | ..... D10/47 |
| D255,552 S  | 6/1980   | Schonstedt       |              |
| 5,430,379 A | 7/1995   | Parkinson et al. |              |
| D459,245 S  | 6/2002   | Power            |              |
| D459,246 S  | 6/2002   | Power et al.     |              |

\* cited by examiner

*Primary Examiner*—Antoine Duval Davis  
*(74) Attorney, Agent, or Firm*—Lawrence R. Franklin

(57) **CLAIM**

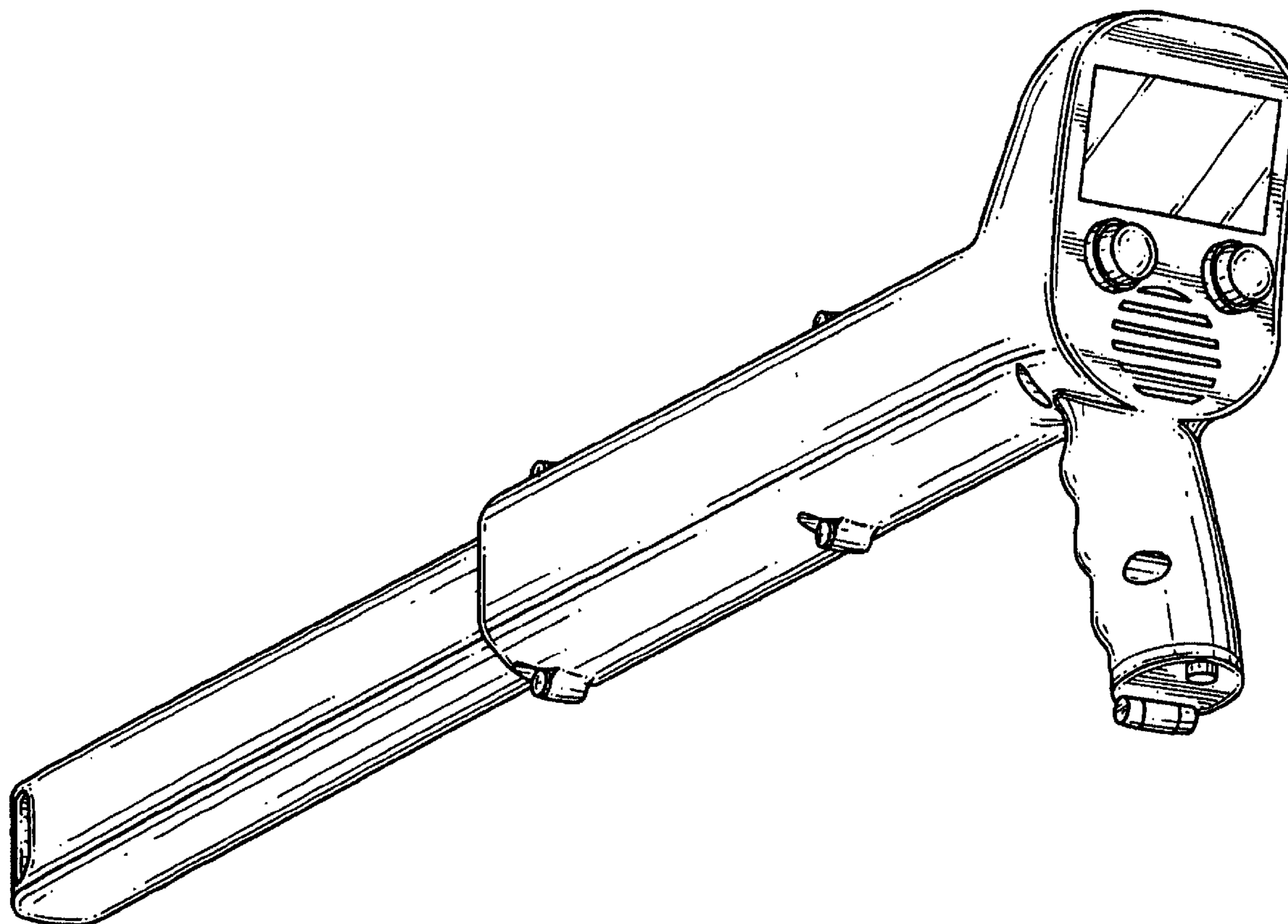
The ornamental design for a magnetic metal detector with extendable wand, substantially as shown and described.

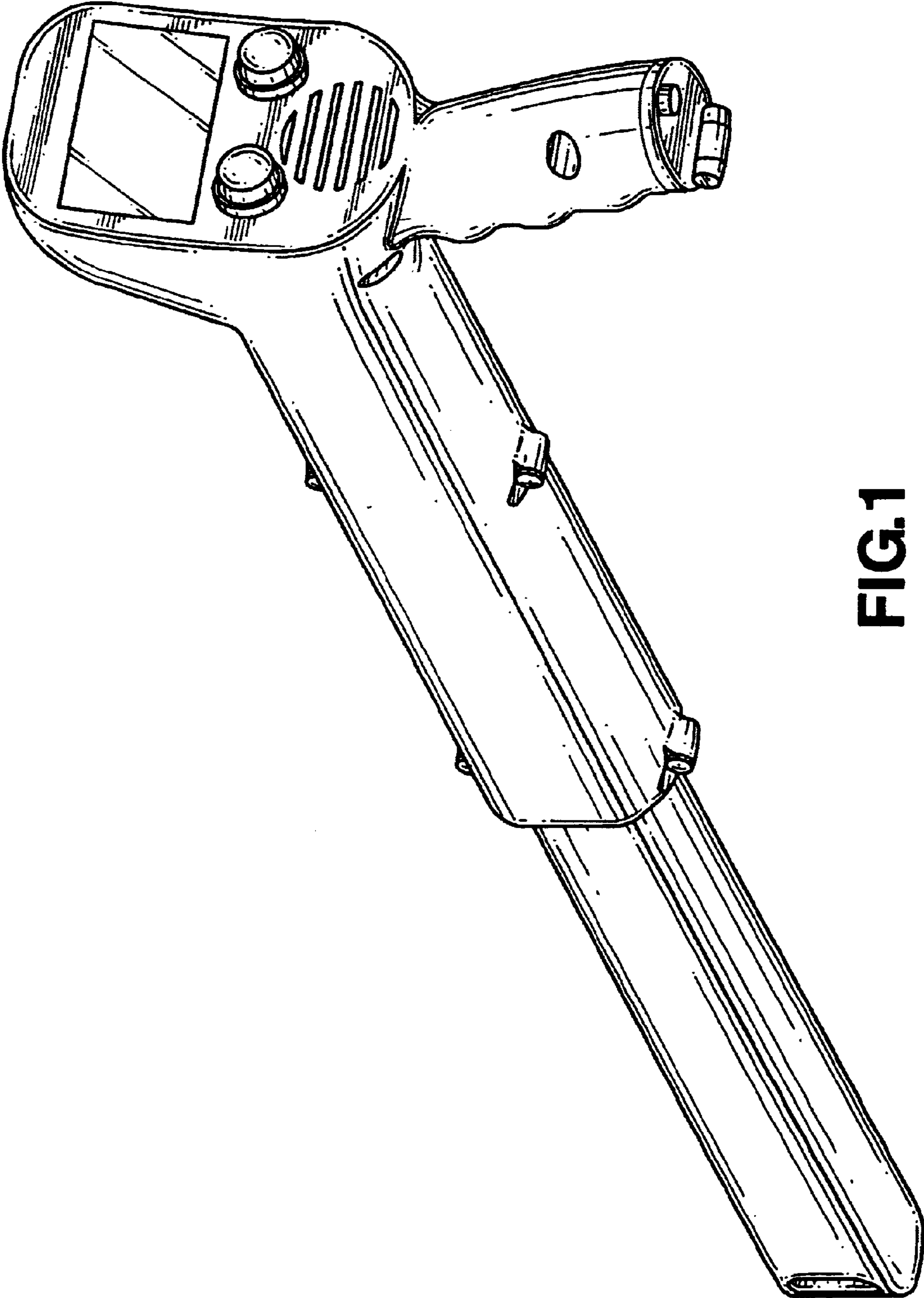
**DESCRIPTION**

FIG. 1 is a perspective view of the detector with the wand extended;  
 FIG. 2 is a perspective view of the detector with the wand retracted;  
 FIGS. 3A and 3B are left side views with the wand extended and retracted, respectively;  
 FIGS. 4A and 4B are front views with the wand extended and retracted, respectively;  
 FIGS. 5A and 5B are right side views with the wand extended and retracted, respectively;  
 FIGS. 6A and 6B are back views with the wand extended and retracted, respectively;  
 FIG. 7 is a top view; and,  
 FIG. 8 is a bottom view.

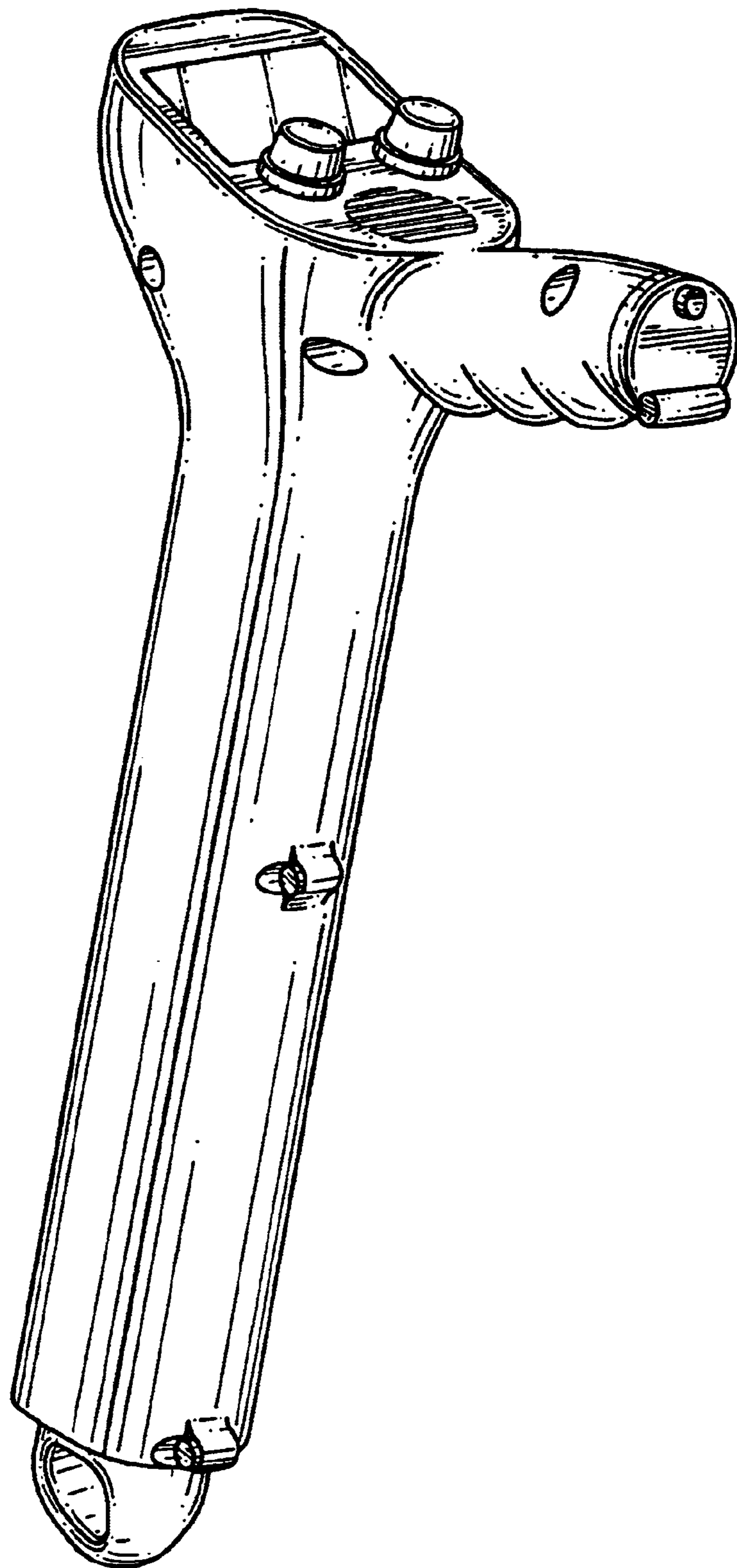
FIGS. 1–2 and 7–8 are enlarged relative to FIGS. 3–6 in order to better show the details.

**1 Claim, 7 Drawing Sheets**

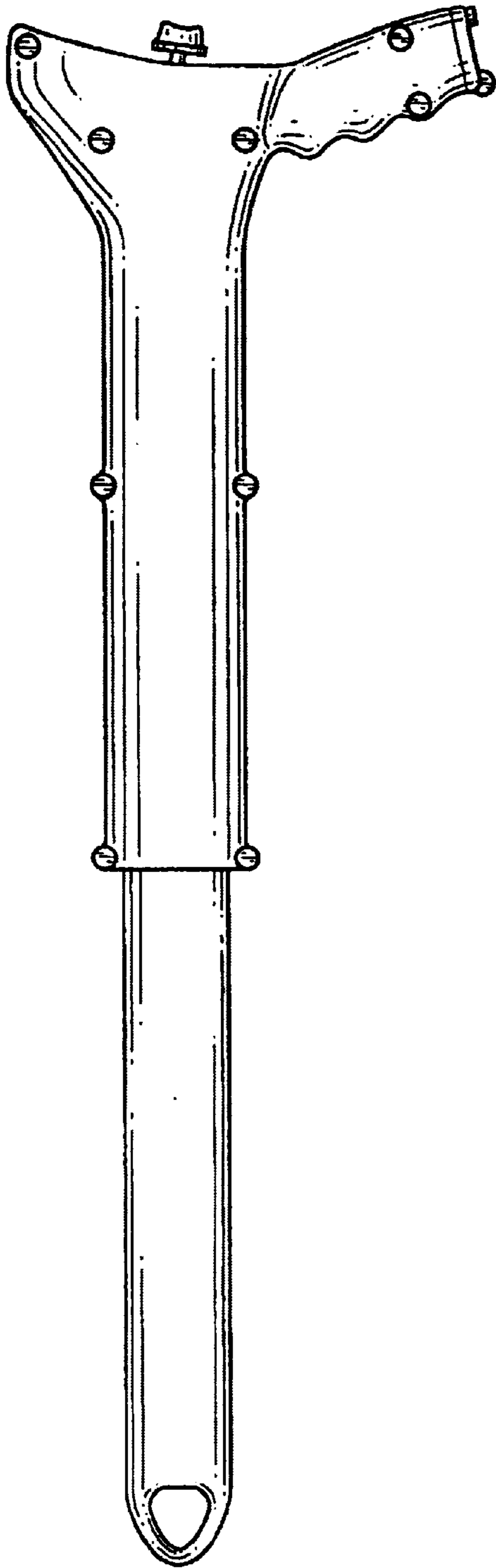




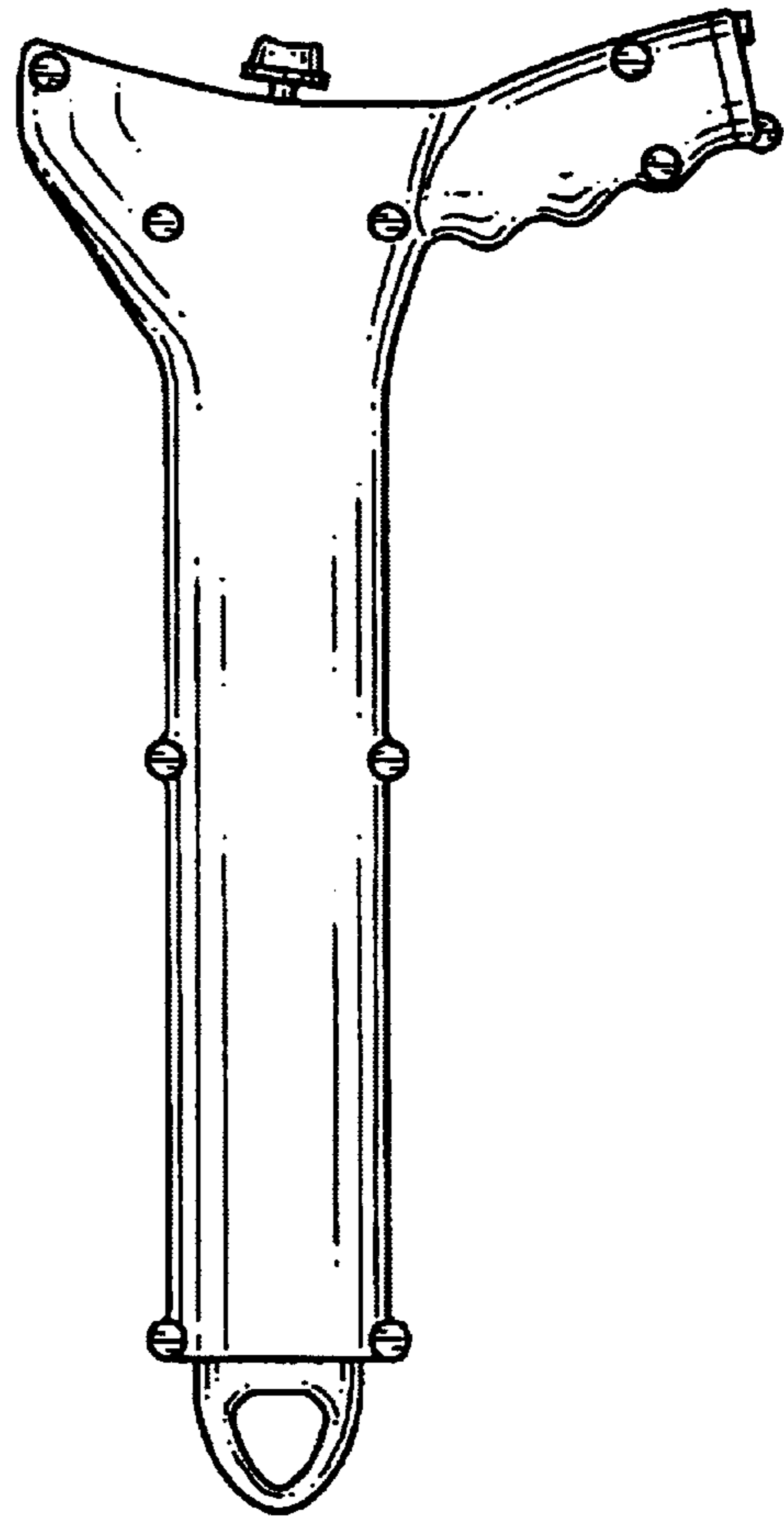
**FIG.1**



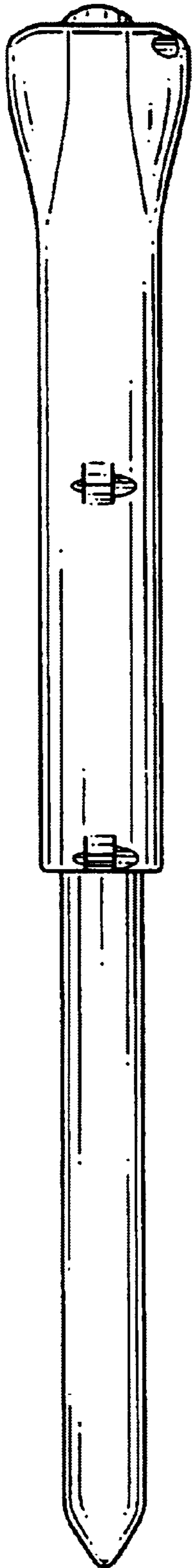
**FIG.2**



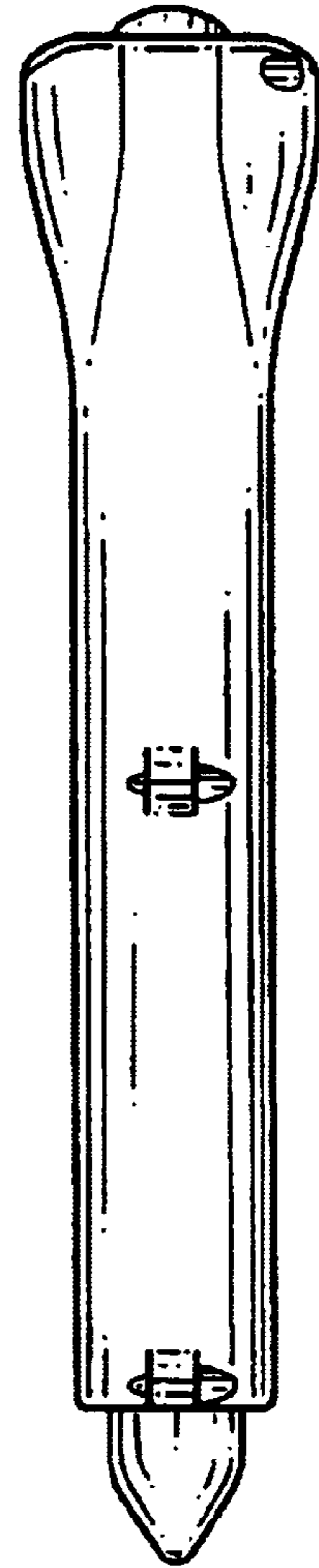
**FIG.3A**



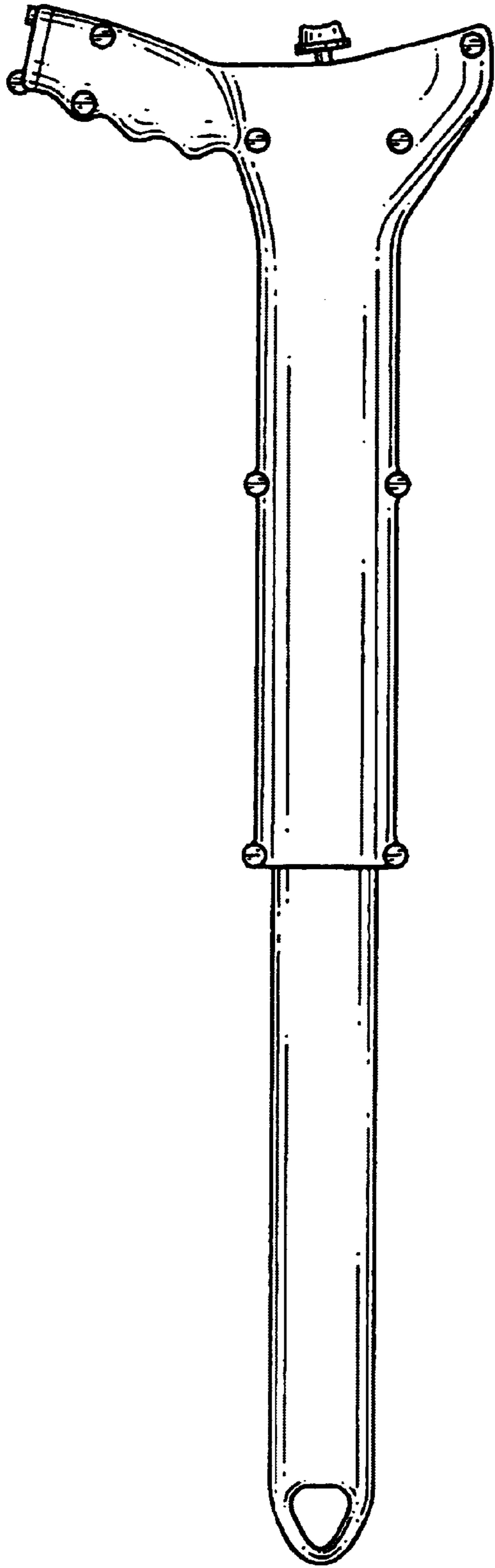
**FIG.3B**



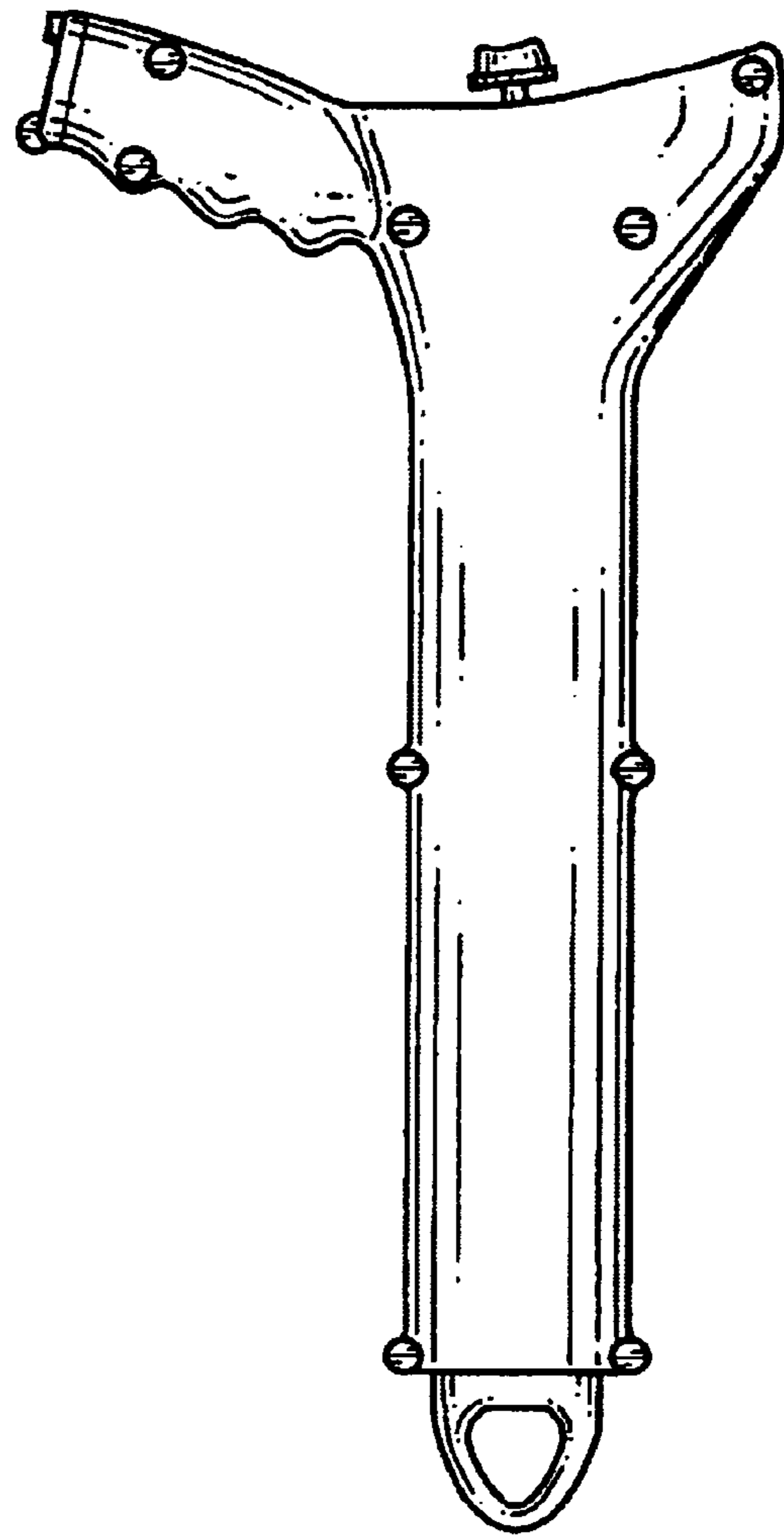
**FIG.4A**



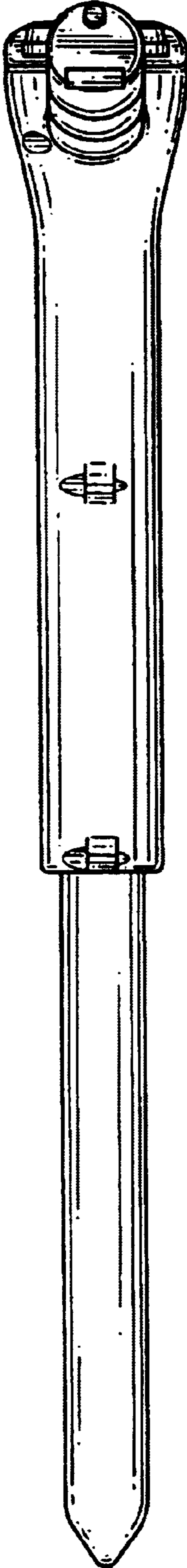
**FIG.4B**



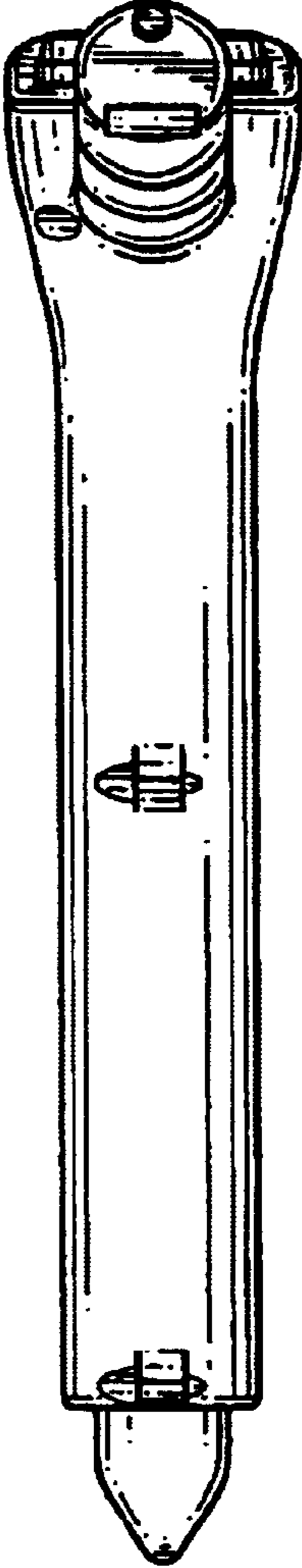
**FIG. 5A**



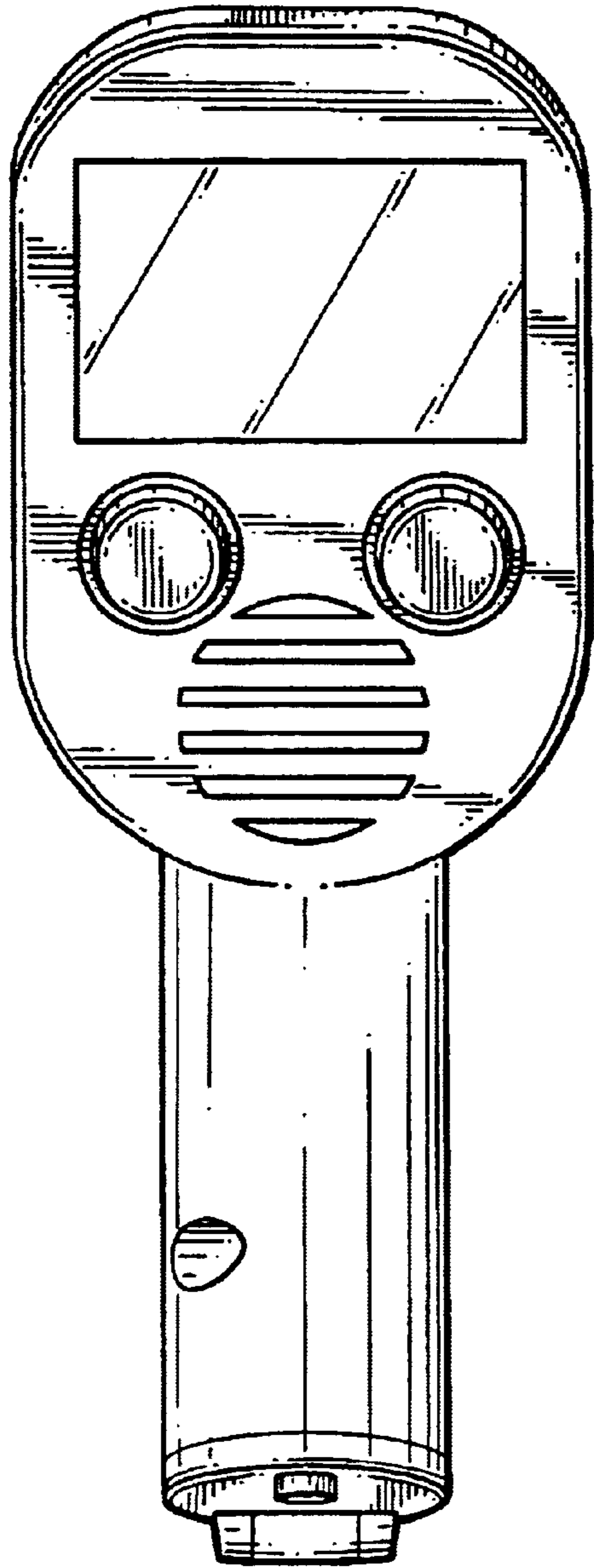
**FIG. 5B**



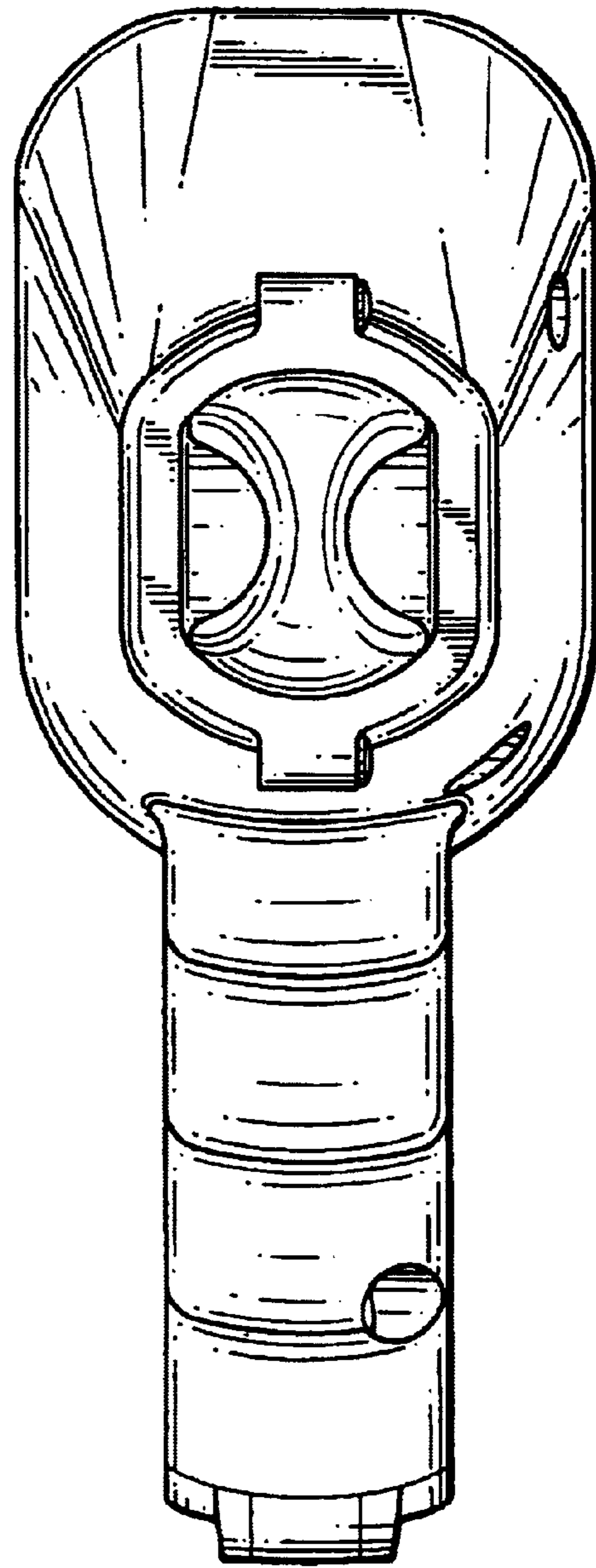
**FIG.6A**



**FIG.6B**



**FIG.7**



**FIG.8**