



US00D496281S1

(12) **United States Design Patent**
Trude

(10) **Patent No.:** **US D496,281 S**

(45) **Date of Patent:** **** Sep. 21, 2004**

(54) **PLASTIC CONTAINER WITH MULTI-FACETED DOME**

(75) **Inventor:** **Gregory Trude**, Seven Valleys, PA (US)

(73) **Assignee:** **Graham Packaging Company, L.P.**, York, PA (US)

(**) **Term:** **14 Years**

(21) **Appl. No.:** **29/179,721**

(22) **Filed:** **Apr. 15, 2003**

(51) **LOC (7) Cl.** **09-01**

(52) **U.S. Cl.** **D9/540; D9/553; D9/557**

(58) **Field of Search** D9/516, 530, 537-543, D9/553, 555, 557, 566, 568, 574, 575, 546; D23/366; 215/381-384, 396, 398, 400

(56) **References Cited**

U.S. PATENT DOCUMENTS

D86,408 S	*	3/1932	Piazolli	D9/546
D395,826 S	*	7/1998	Hygaard, Sr.	D9/520
D413,520 S	*	9/1999	Comper	D9/553
D423,936 S	*	5/2000	Smith et al.	D9/520
D424,446 S	*	5/2000	Silvers et al.	D9/520
D428,815 S	*	8/2000	Mooney et al.	D9/520
D439,166 S	*	3/2001	Denner et al.	D9/538
D441,660 S	*	5/2001	Denner et al.	D9/574 X

D442,866 S	*	5/2001	Mooney et al.	D9/520
D443,521 S	*	6/2001	Bansai et al.	D9/543
D448,674 S	*	10/2001	Mooney	D9/540
6,439,413 B1	*	8/2002	Prevot et al.	215/381
D467,813 S	*	12/2002	Silvers et al.	D9/538
D474,534 S	*	5/2003	Choke-arpornchai et al.	...	D23/366

* cited by examiner

Primary Examiner—Carol Rademaker

(74) *Attorney, Agent, or Firm*—Venable LLP; James R. Burdett; Dan G. Vivarelli

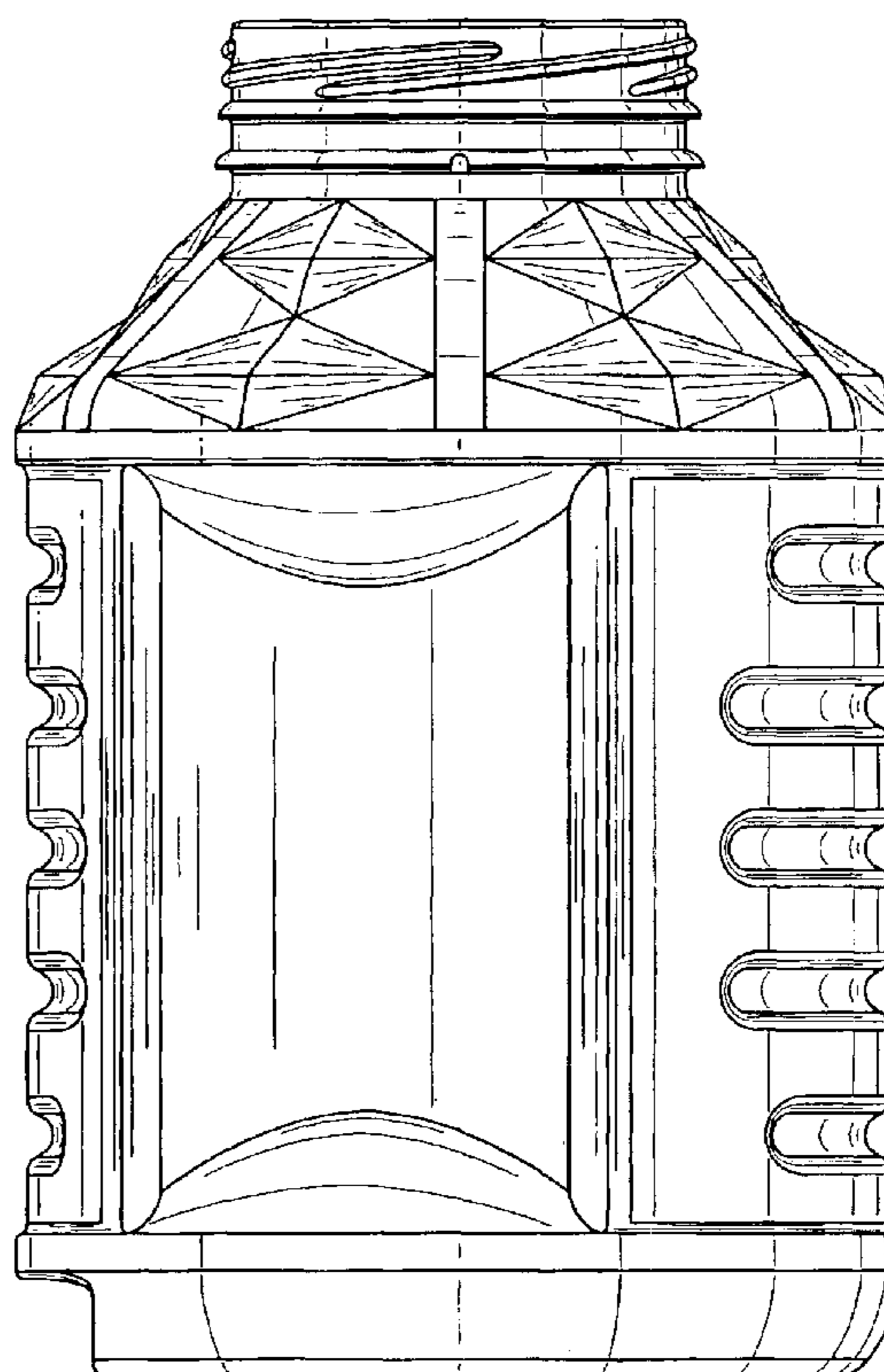
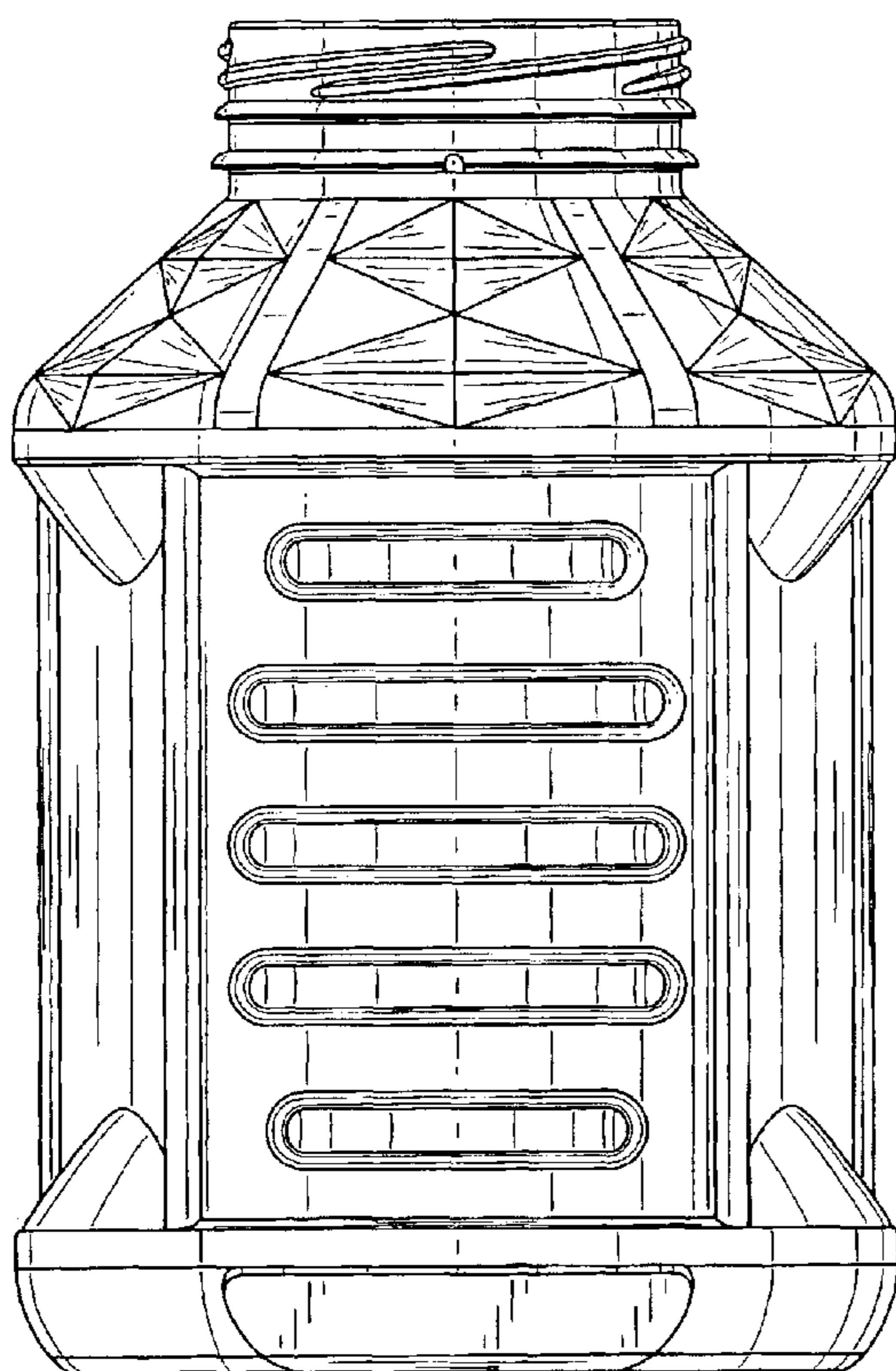
(57) **CLAIM**

The ornamental design for a plastic container with multi-faceted dome, as shown and described.

DESCRIPTION

FIG. 1 is a perspective view of a plastic container with multi-faceted dome according to the present invention; FIG. 2 is a front view of a plastic container with multi-faceted dome according to the present invention; FIG. 3 is a rear view of a plastic container with multi-faceted dome according to the present invention; FIG. 4 is a left side view of a plastic container with multi-faceted dome according to the present invention; FIG. 5 is a right side view of a plastic container with multi-faceted dome according to the present invention; and, FIG. 6 is a top view of a plastic container with multi-faceted dome according to the present invention.

1 Claim, 6 Drawing Sheets



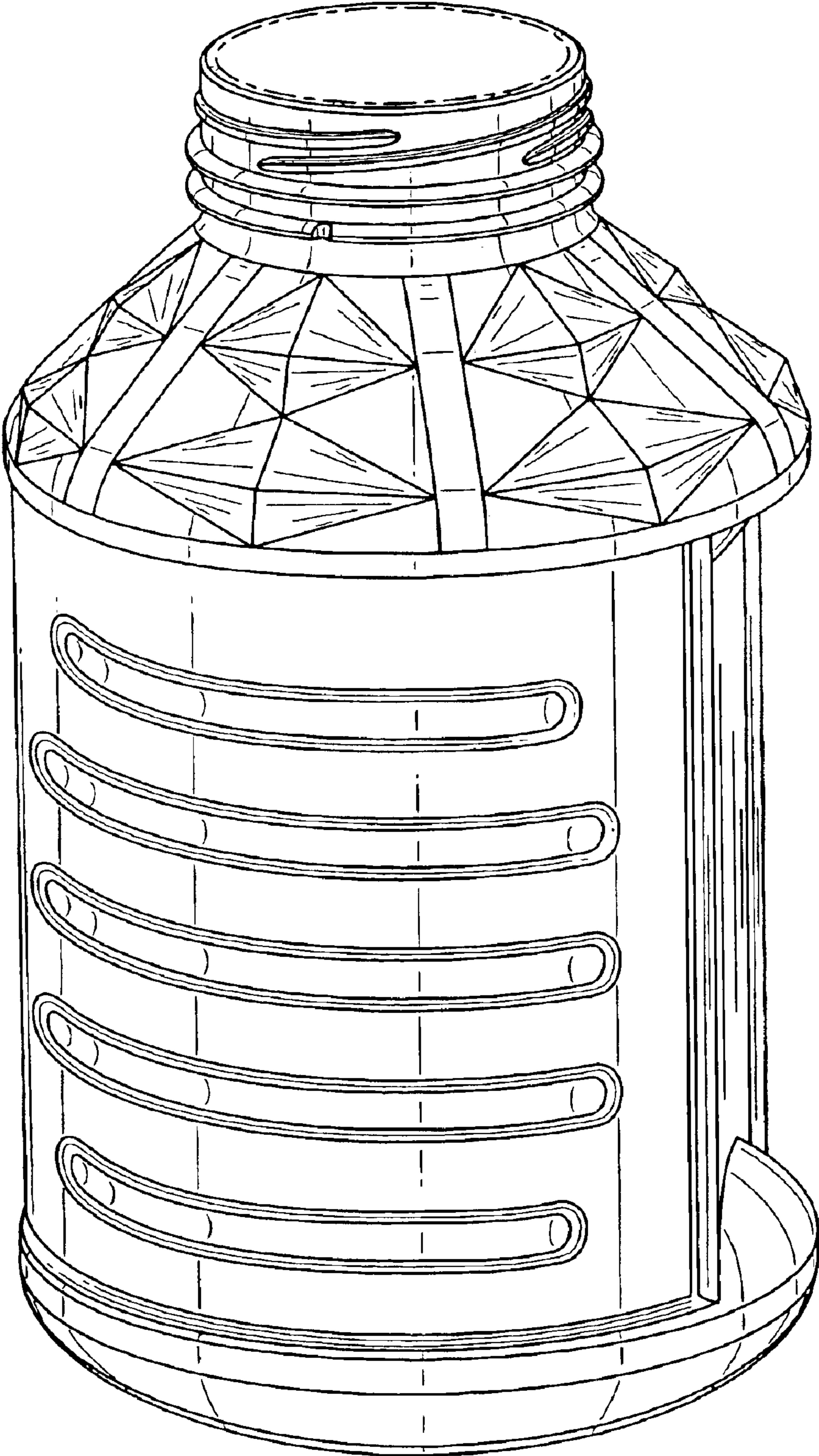


FIG. 1

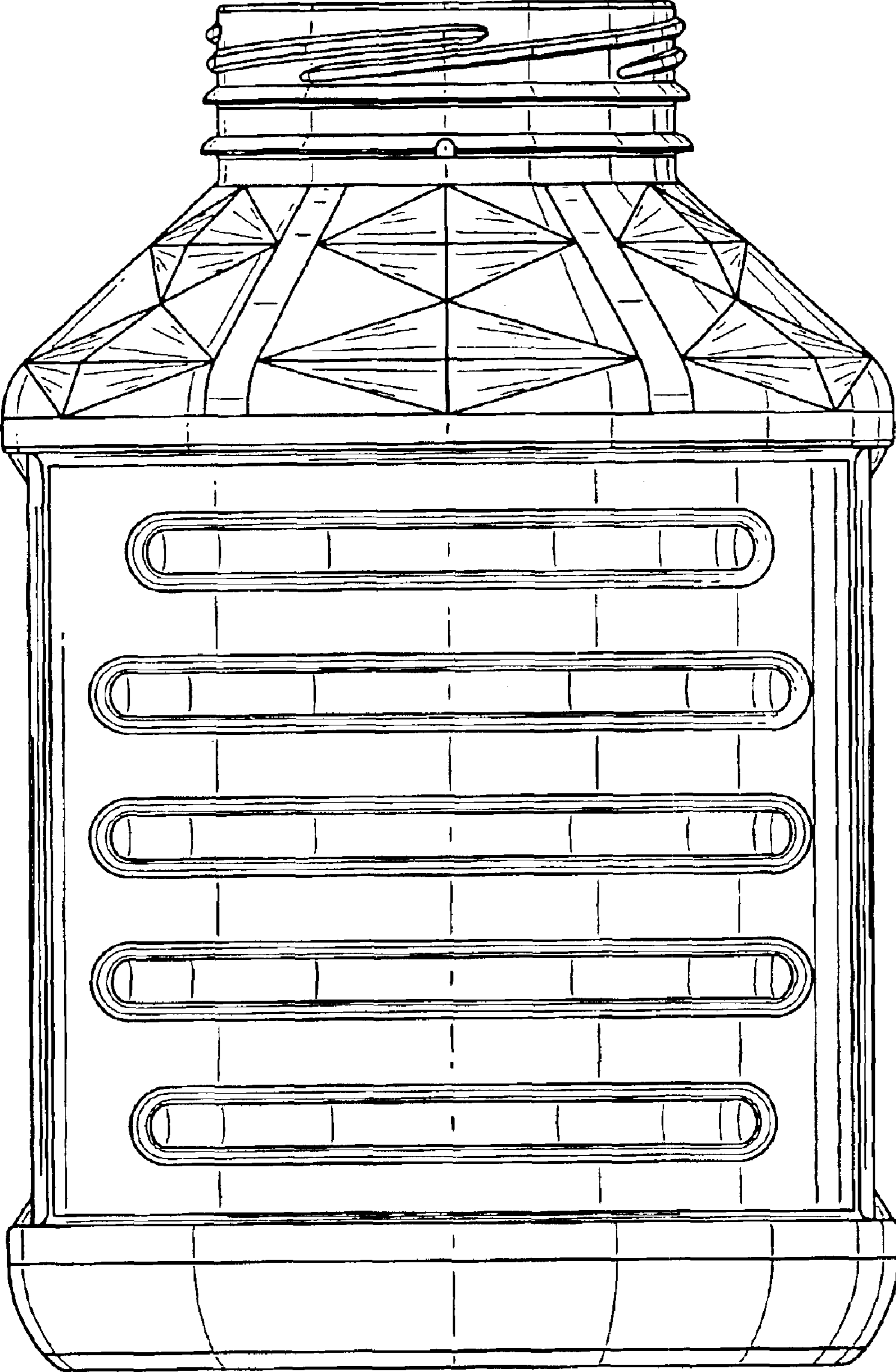


FIG. 2

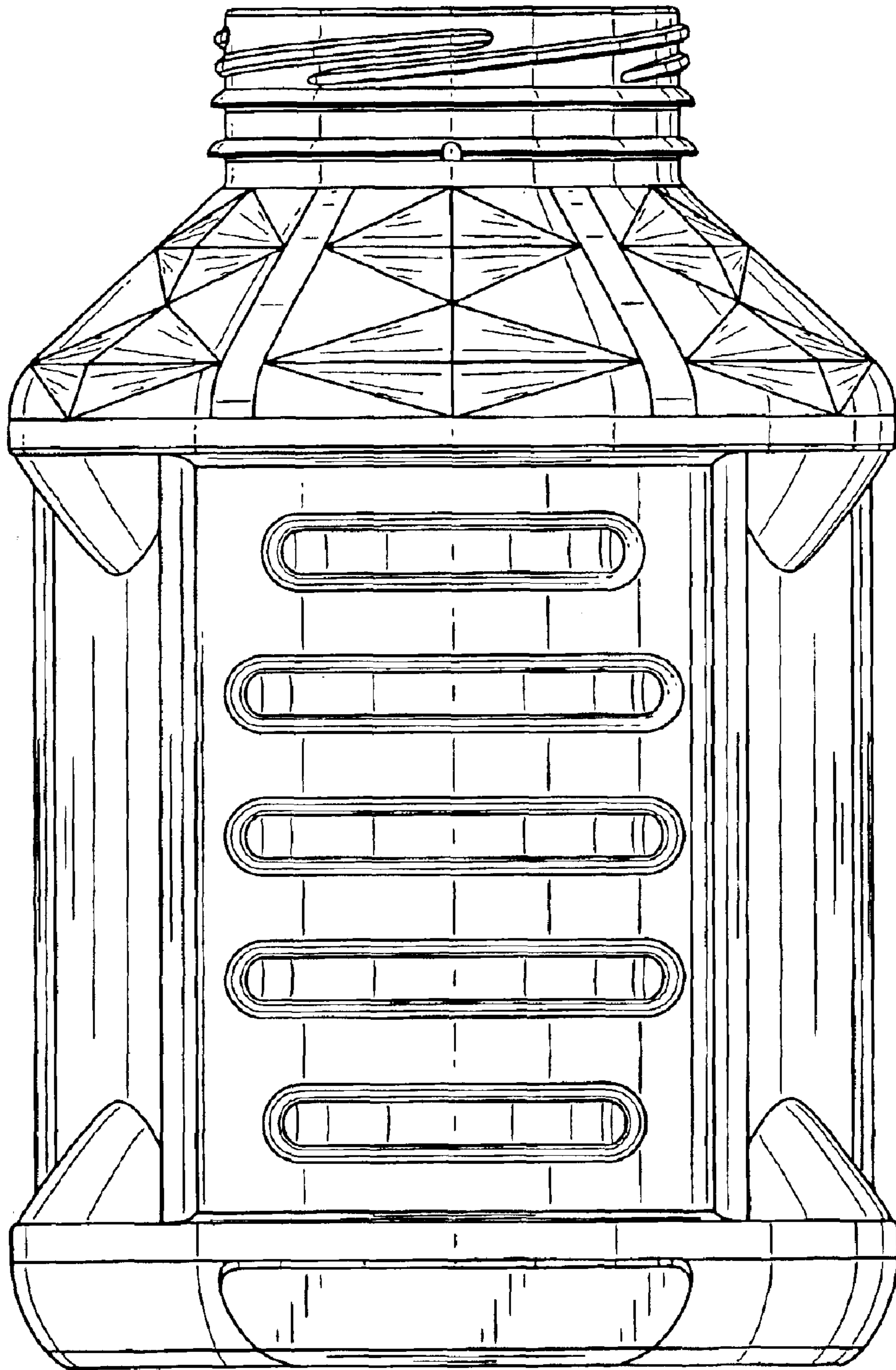


FIG. 3

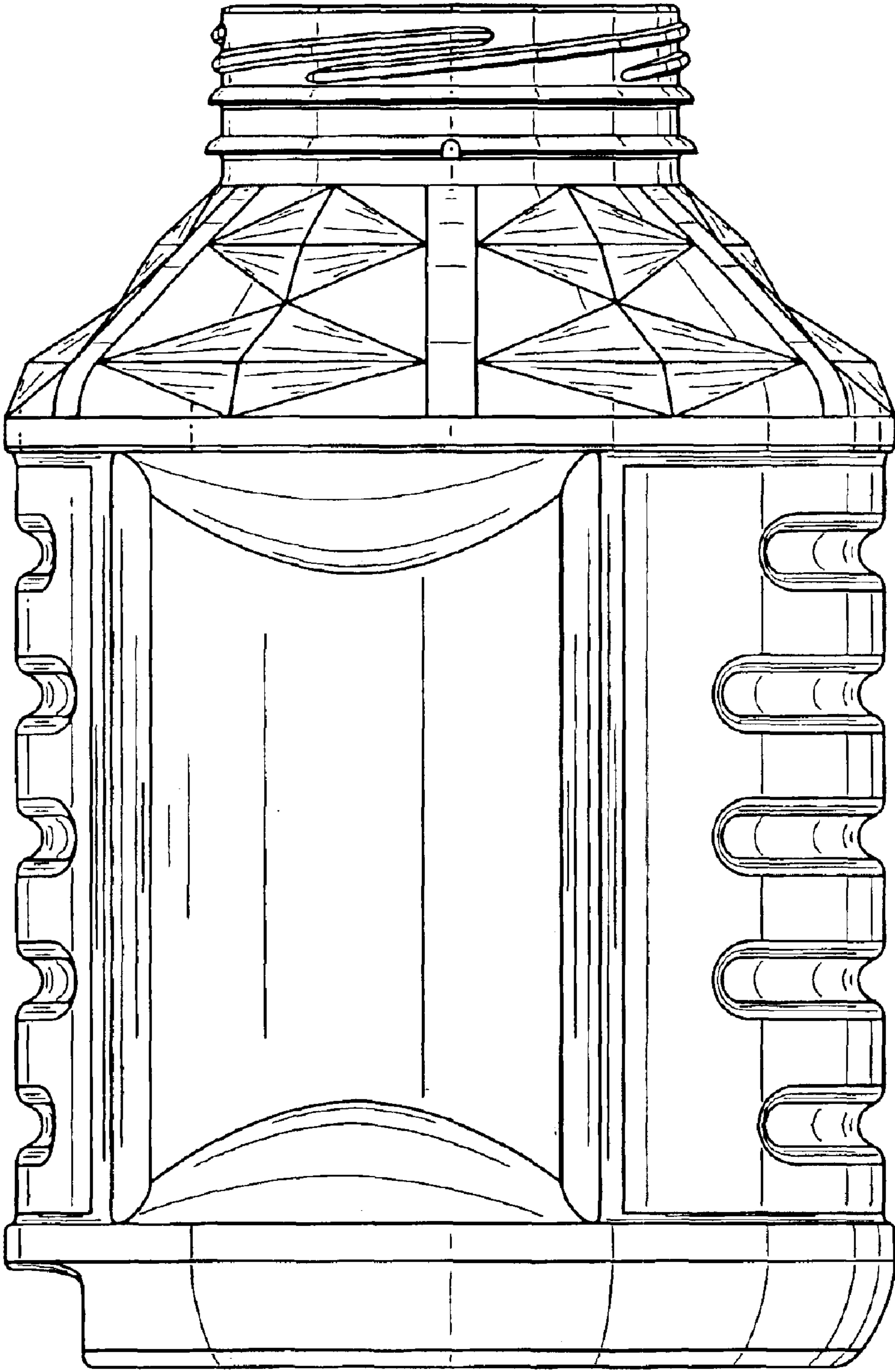


FIG. 4

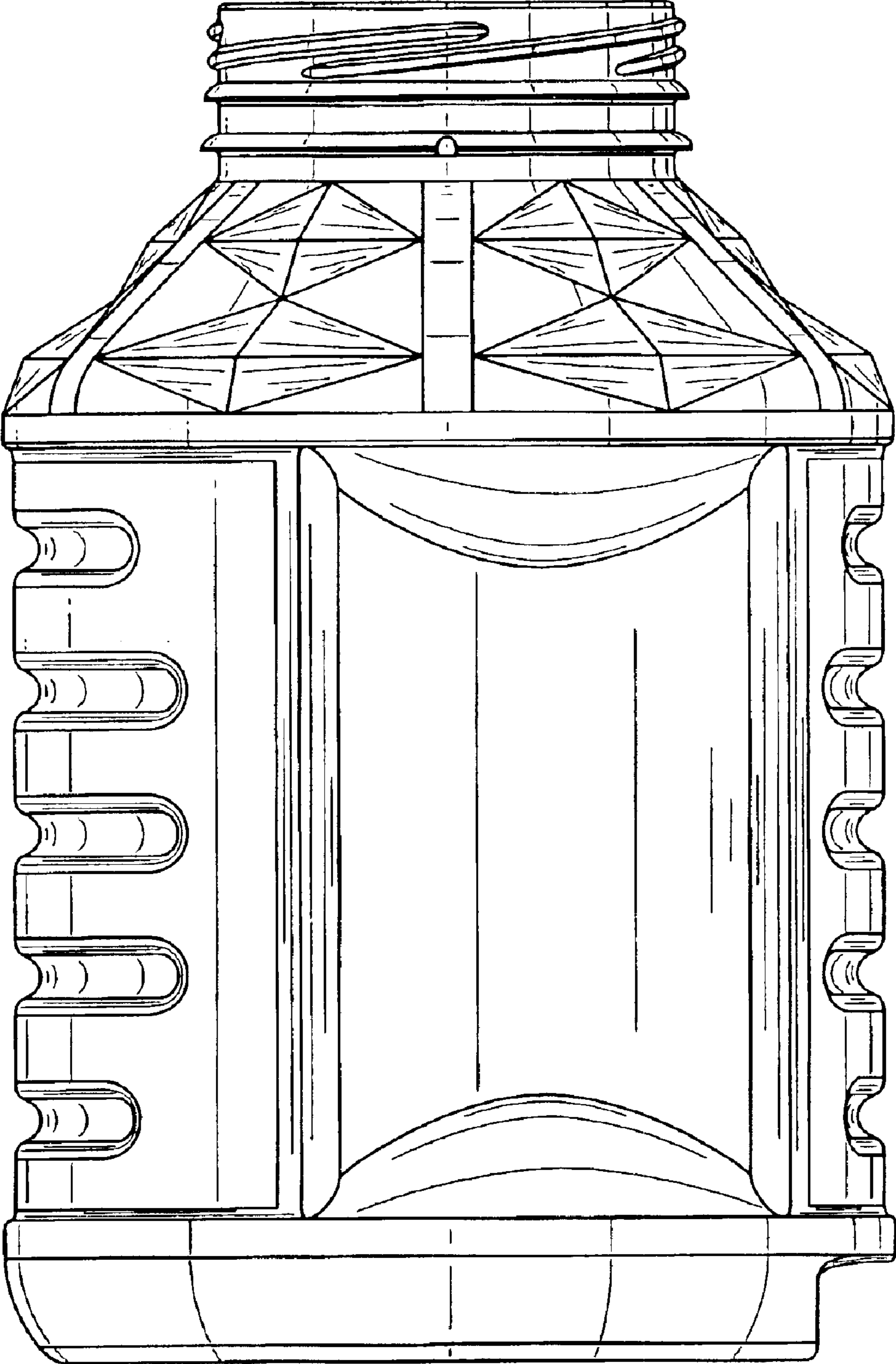


FIG. 5

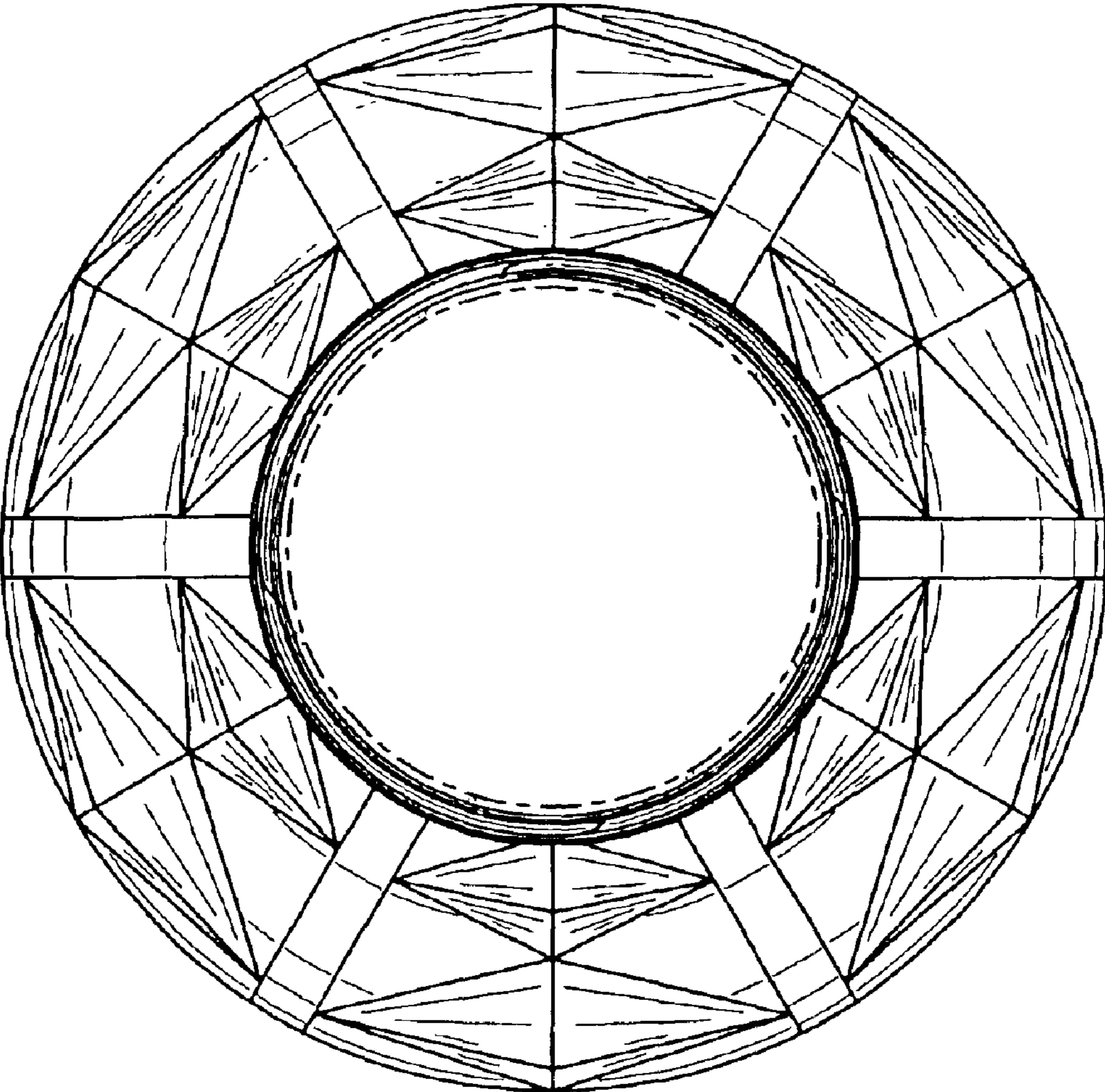


FIG. 6