

US00D496270S1

(12) **United States Design Patent** (10) **Patent No.:** **US D496,270 S**
Baxter (45) **Date of Patent:** **** Sep. 21, 2004**

(54) **PACKAGE OF BRICK PACKS**

(75) Inventor: **Ronald A. Baxter**, Douglasville, GA (US)

(73) Assignee: **MeadWestvaco Packaging Systems, LLC**, Stamford, CT (US)

(**) Term: **14 Years**

(21) Appl. No.: **29/178,453**

(22) Filed: **Mar. 26, 2003**

(51) **LOC (7) Cl.** **09-03**

(52) **U.S. Cl.** **D9/418**

(58) **Field of Search** D9/418, 414, 415, D9/432; 206/141, 162, 322, 321, 428, 819; 229/117.13, 117.12, 117.09, 117.22, 117.14, 103.2

(56) **References Cited**

U.S. PATENT DOCUMENTS

2,723,027 A 11/1955 Guyer
2,748,499 A * 6/1956 Shafer 434/74
3,063,767 A * 11/1962 Pearce 312/31
3,078,032 A * 2/1963 Robinson et al. 229/117.13
3,540,581 A * 11/1970 Koolnis 206/193
D252,258 S * 7/1979 Roccaforte D9/418
4,222,485 A 9/1980 Focke
D283,796 S * 5/1986 Schuster D9/418
4,785,991 A * 11/1988 Schuster 229/117.13

4,989,778 A 2/1991 Saulas
5,004,104 A 4/1991 Saulas
D372,861 S * 8/1996 Hoell et al. D9/418
6,302,320 B1 * 10/2001 Stout 229/117.13

FOREIGN PATENT DOCUMENTS

EP 0 060 504 A2 9/1982
EP 0 475 147 A1 3/1992

* cited by examiner

Primary Examiner—Prabhakar Deshmukh

(74) *Attorney, Agent, or Firm*—Tsugihiko Suzuki

(57) **CLAIM**

The ornamental design for a package of brick packs, as shown and described.

DESCRIPTION

FIG. 1 is an isometric view of a package of brick packs, showing my new design;

FIG. 2 is a top plan view thereof;

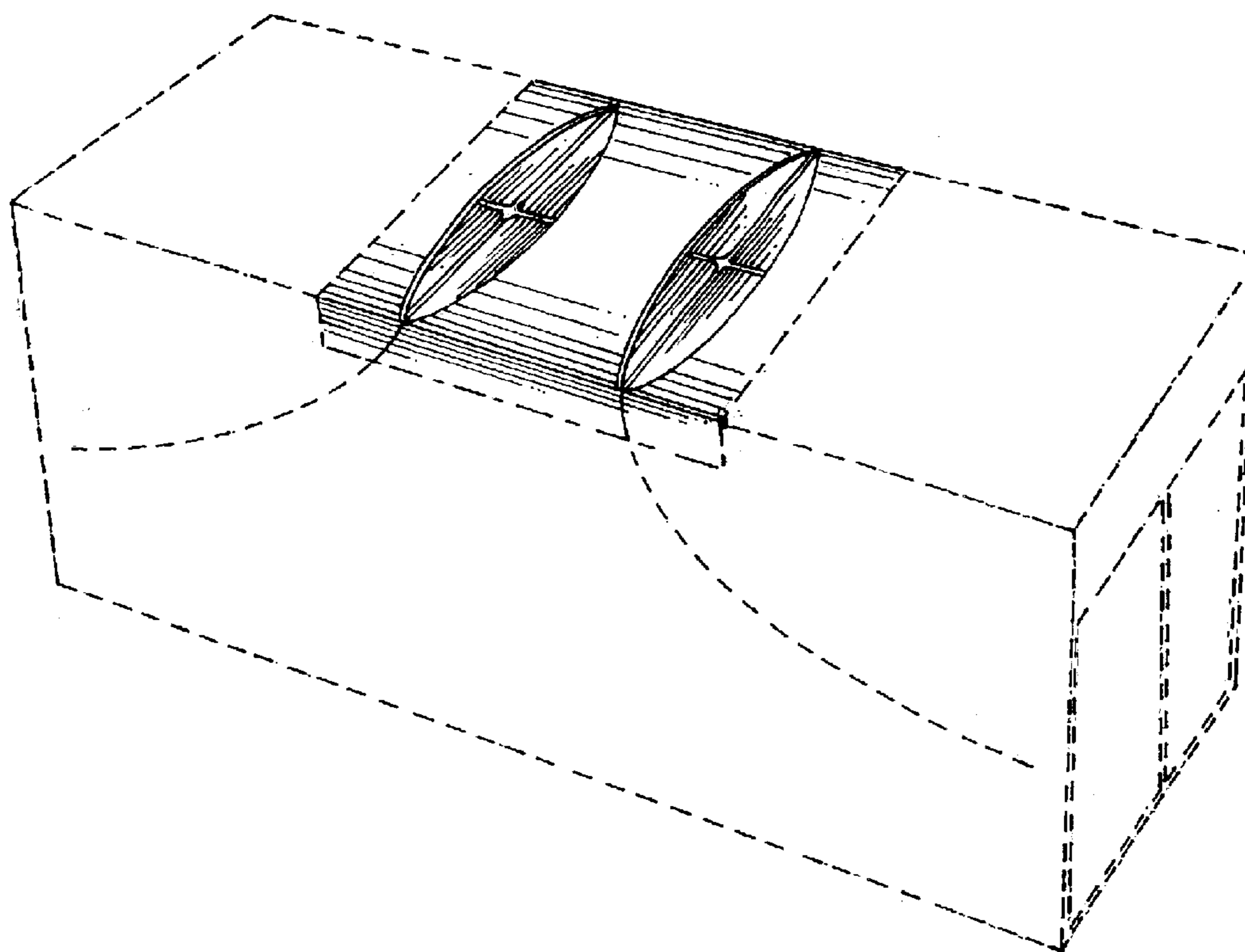
FIG. 3 is a bottom plan view thereof;

FIG. 4 is a front elevation thereof; the rear elevation being a mirror image thereof; and,

FIG. 5 is a right side elevation thereof; the left side elevation being a mirror image thereof.

The broken lines define the bounds of the claimed design. The broken lines showing of a package is for illustrative purposes only and forms no part of the claimed design.

1 Claim, 2 Drawing Sheets



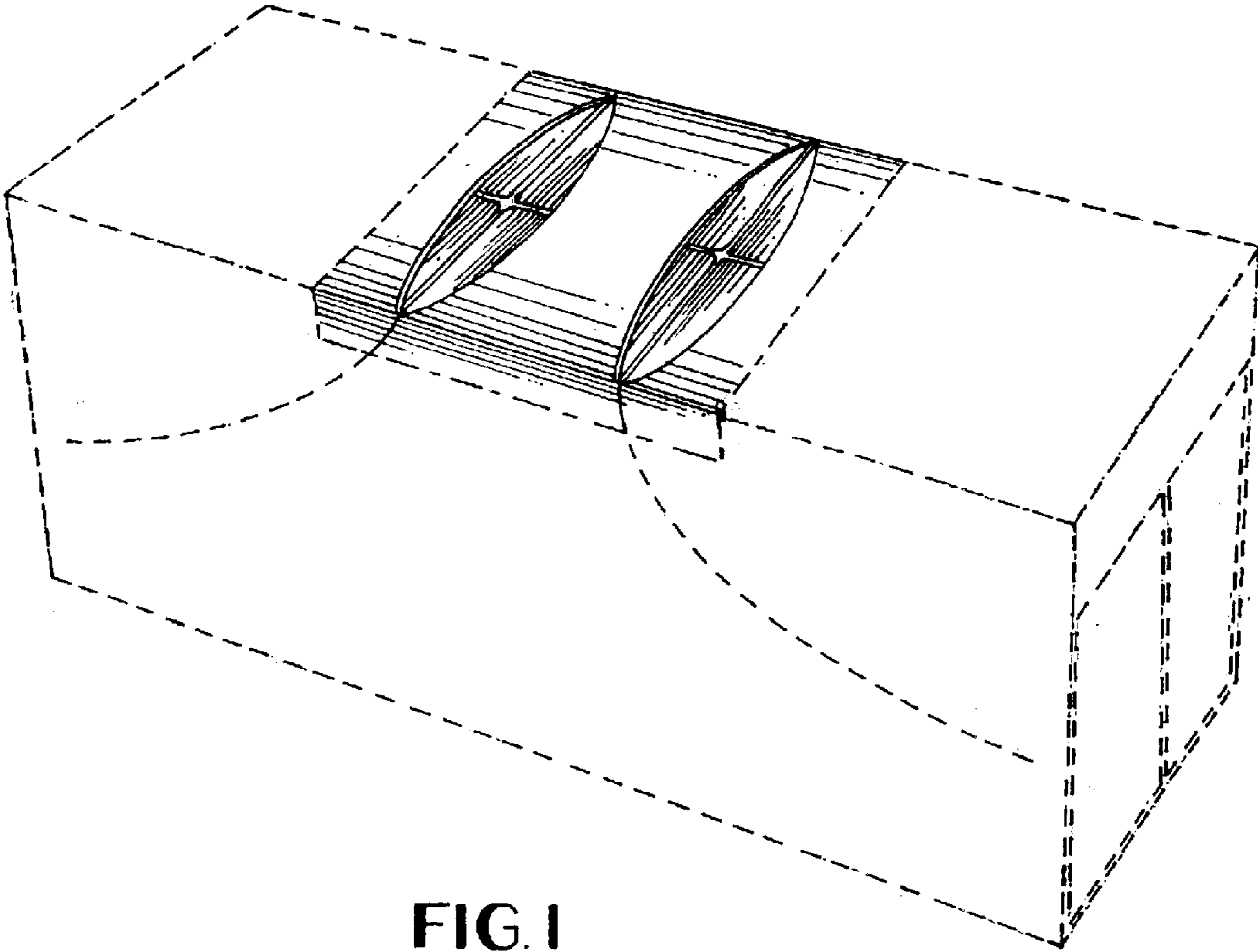


FIG. 1

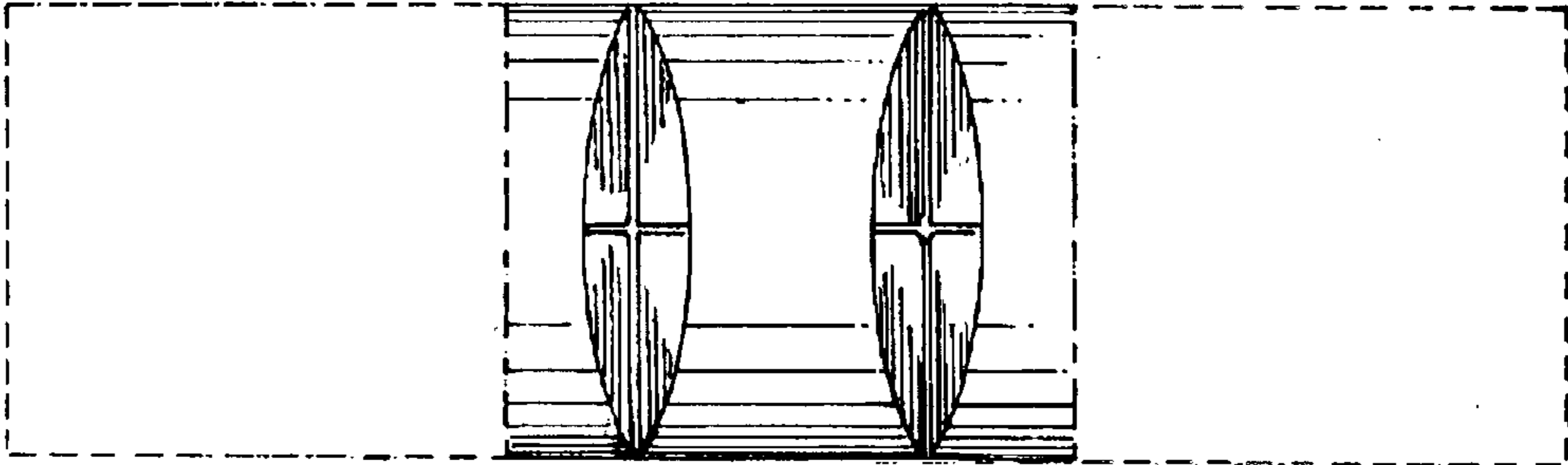


FIG. 2

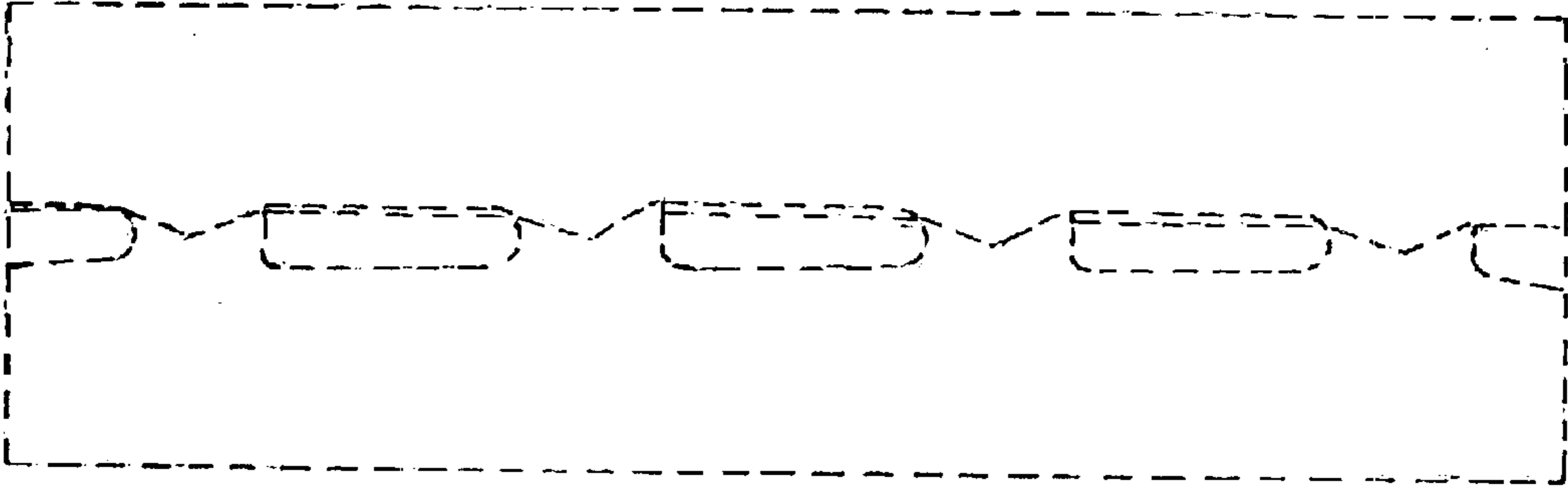


FIG. 3

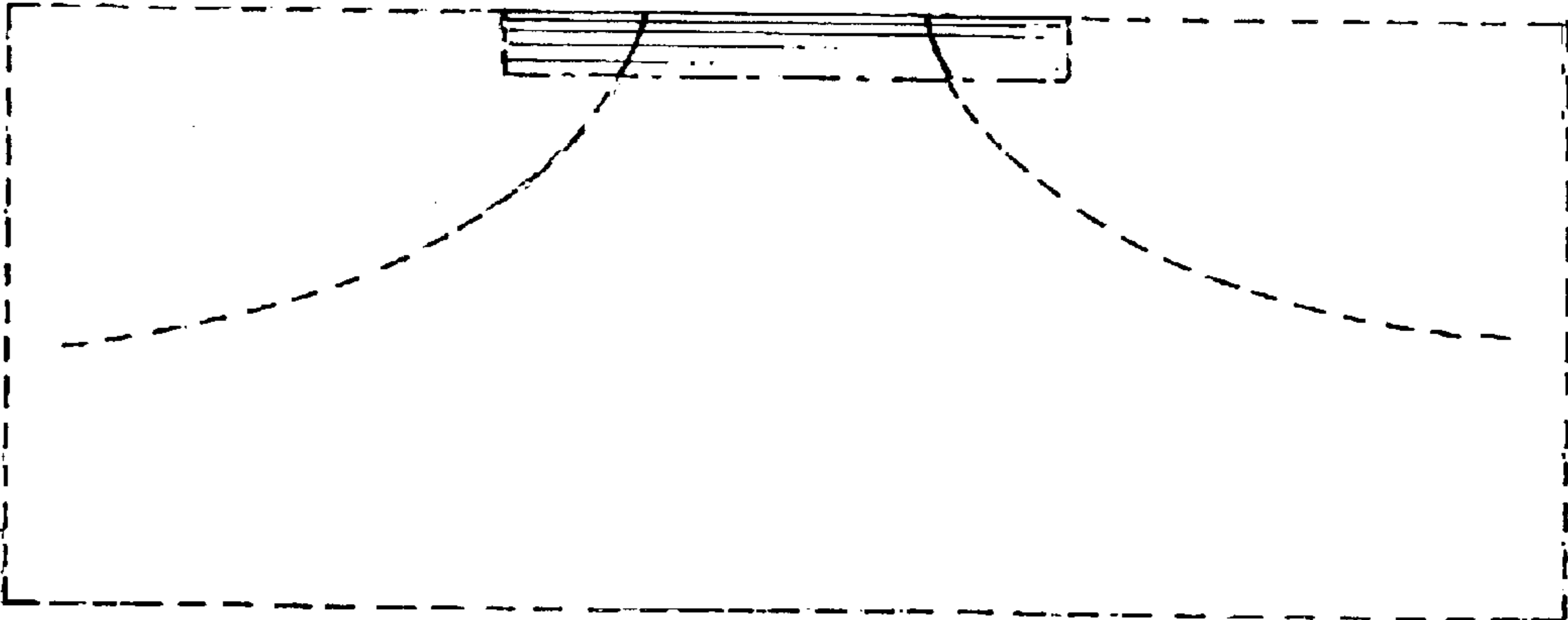


FIG. 4

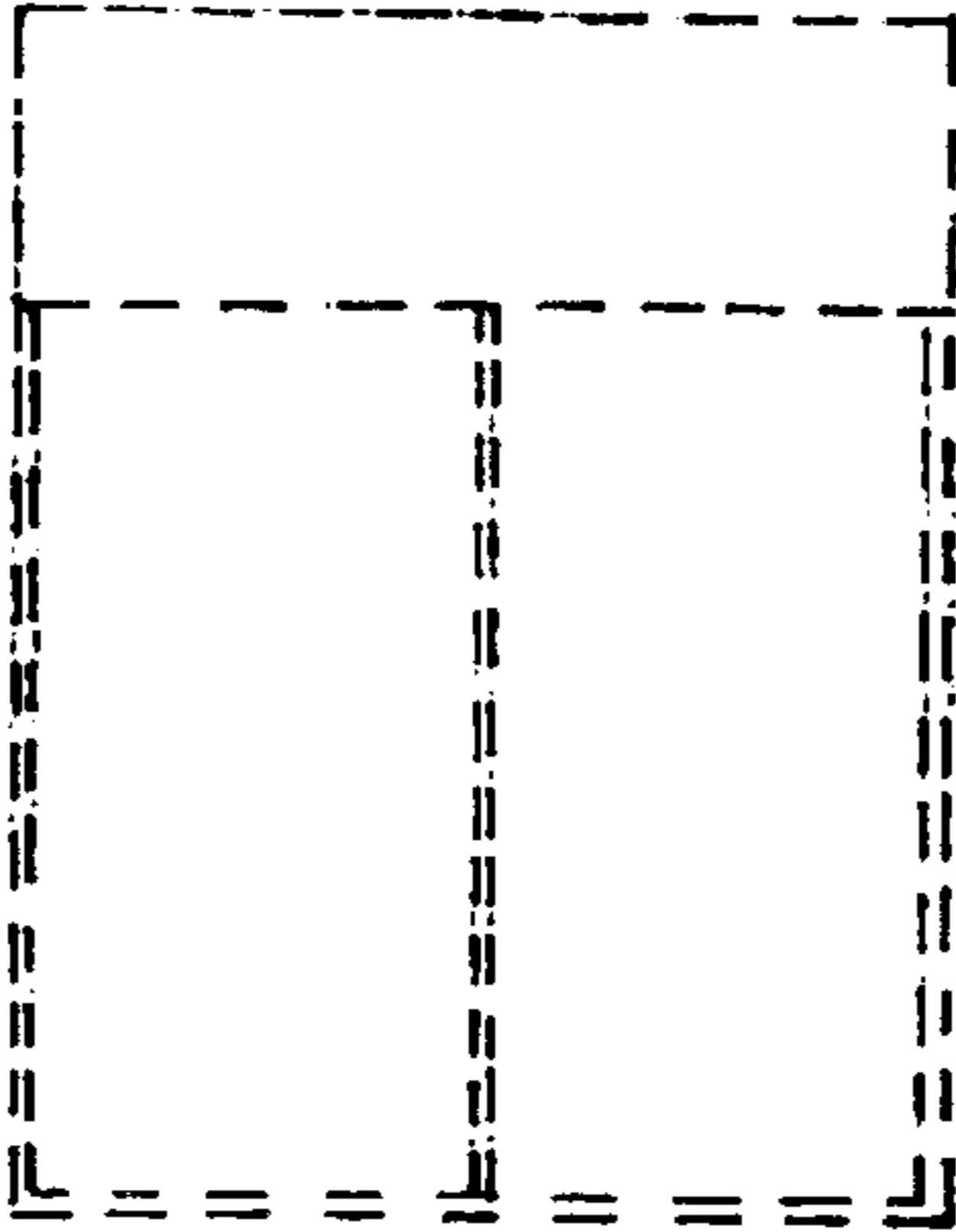


FIG. 5