

US00D496260S1

(12) **United States Design Patent** (10) **Patent No.:** **US D496,260 S**
Echazabal (45) **Date of Patent:** **** Sep. 21, 2004**

(54) **BOLT**
 (75) Inventor: **Albert Echazabal**, Pasadena, CA (US)
 (73) Assignee: **Kinetik, LLC**, Miami, FL (US)
 (**) Term: **14 Years**

AU 117539 S (Jenway Industries Pty Ltd.) Apr. 6, 1998
 [online] [retrieved on May 12, 2004]. retrieved from Aus-
 tralian patent database.*

* cited by examiner

(21) Appl. No.: **29/196,751**
 (22) Filed: **Jan. 5, 2004**

Primary Examiner—Holly Baynham
 (74) *Attorney, Agent, or Firm*—Stuart D. Frenkel

(51) **LOC (7) Cl.** **08-08**
 (52) **U.S. Cl.** **D8/387**
 (58) **Field of Search** D8/382, 387; 411/378,
 411/352–353

(57) **CLAIM**

The ornamental design for a bolt, as shown and described.

DESCRIPTION

(56) **References Cited**

U.S. PATENT DOCUMENTS

RE19,348 E * 10/1934 Kaufman 411/378
 2,403,330 A * 7/1946 Benton 411/54
 D317,862 S * 7/1991 Yamamoto D8/387
 5,558,480 A * 9/1996 Kazino et al. 411/368
 5,743,692 A * 4/1998 Schwarz 411/353
 D473,126 S * 4/2003 Fergusson D8/387

OTHER PUBLICATIONS

AU 148054 S (Jeffrey Robert Ferguson) Oct. 23, 2002
 [online] [retrieved on May 12, 2004]. Retrieved from Aus-
 tralian patent database.*

FIG. 1 is a front view of a bolt showing my new design.
 FIG. 2 is a rear view of the bolt shown in FIG. 1.
 FIG. 3 is a left side view of the bolt shown in FIG. 1.
 FIG. 4 is a right side view of the bolt shown in FIG. 1.
 FIG. 5 is a top end view of the bolt shown in FIG. 1.
 FIG. 6 is a bottom end view of the bolt shown in FIG. 1; and,
 FIG. 7 is a top and side perspective view of the bolt shown
 in FIG. 1.

1 Claim, 2 Drawing Sheets

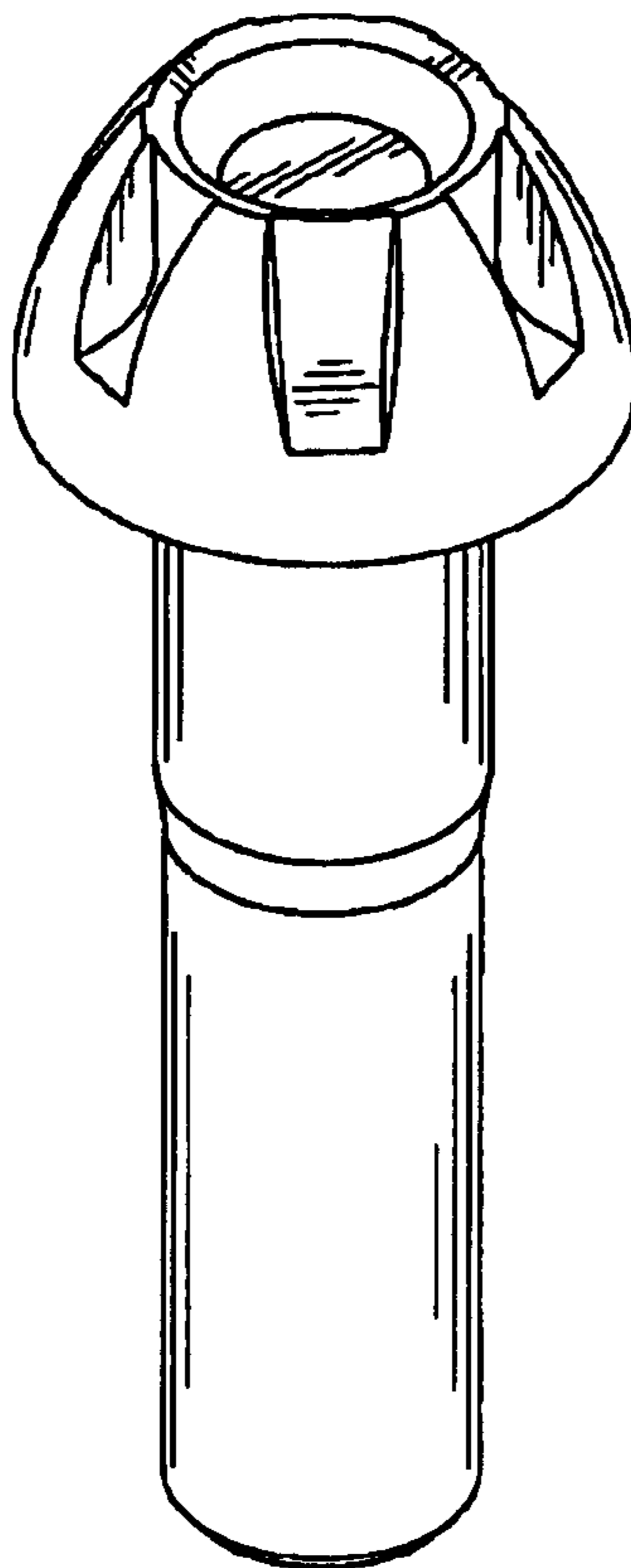


Fig. 1

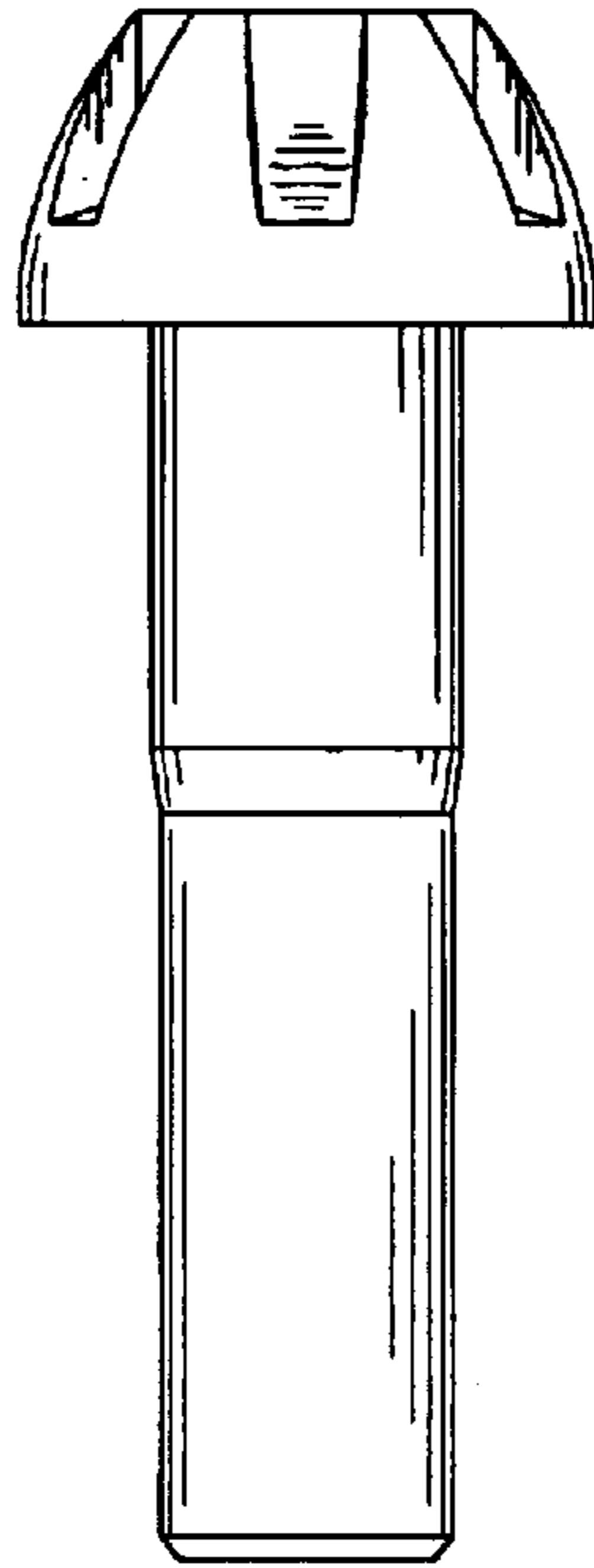


Fig. 2

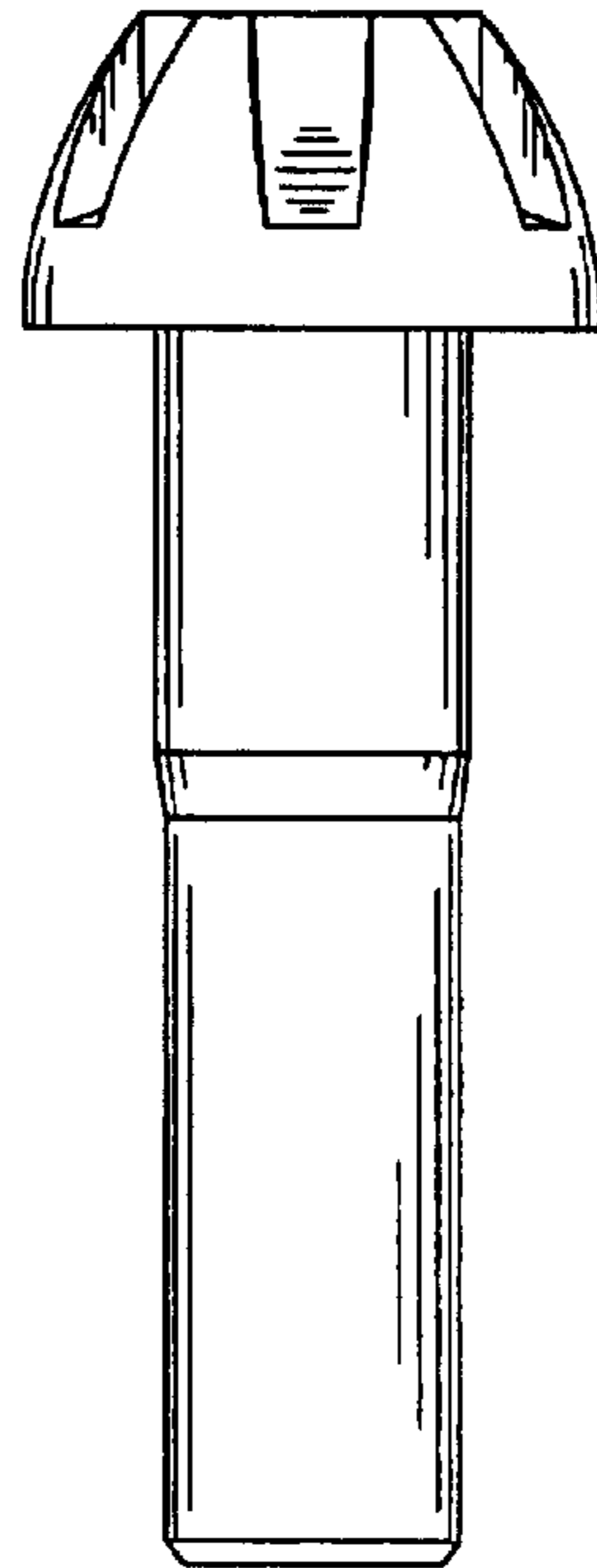


Fig. 3

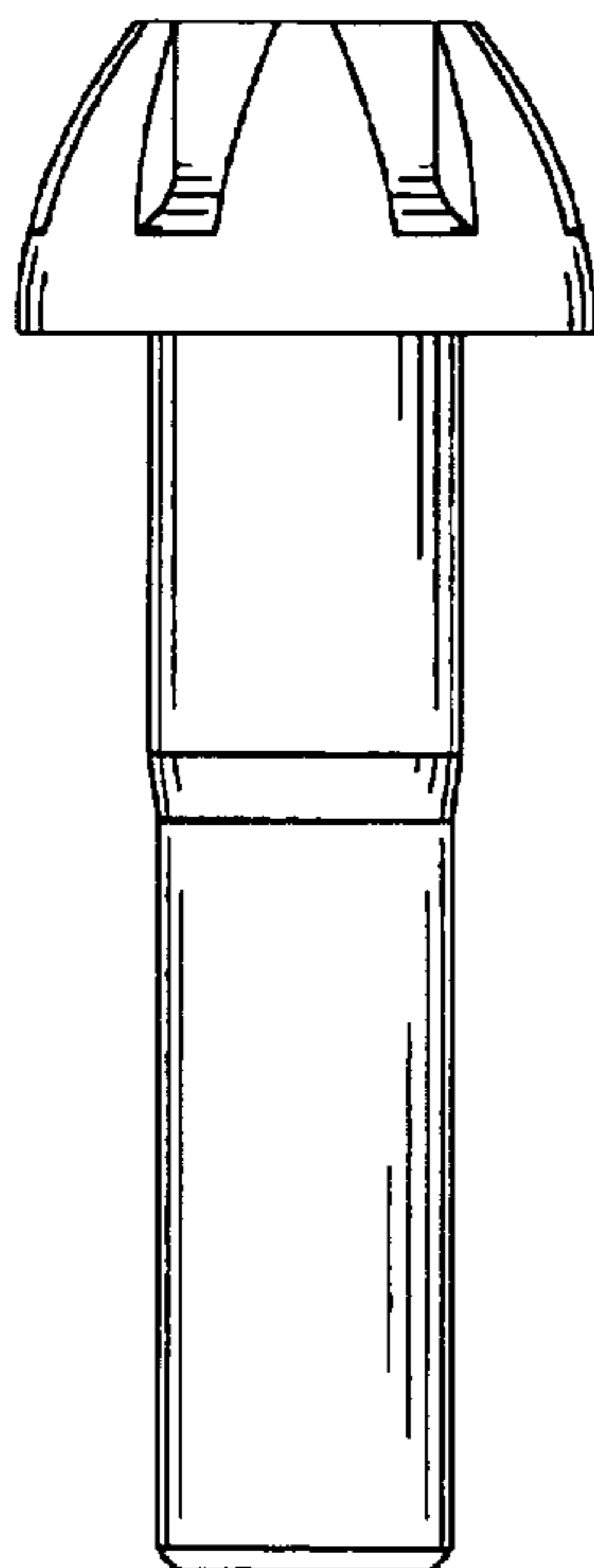


Fig. 4

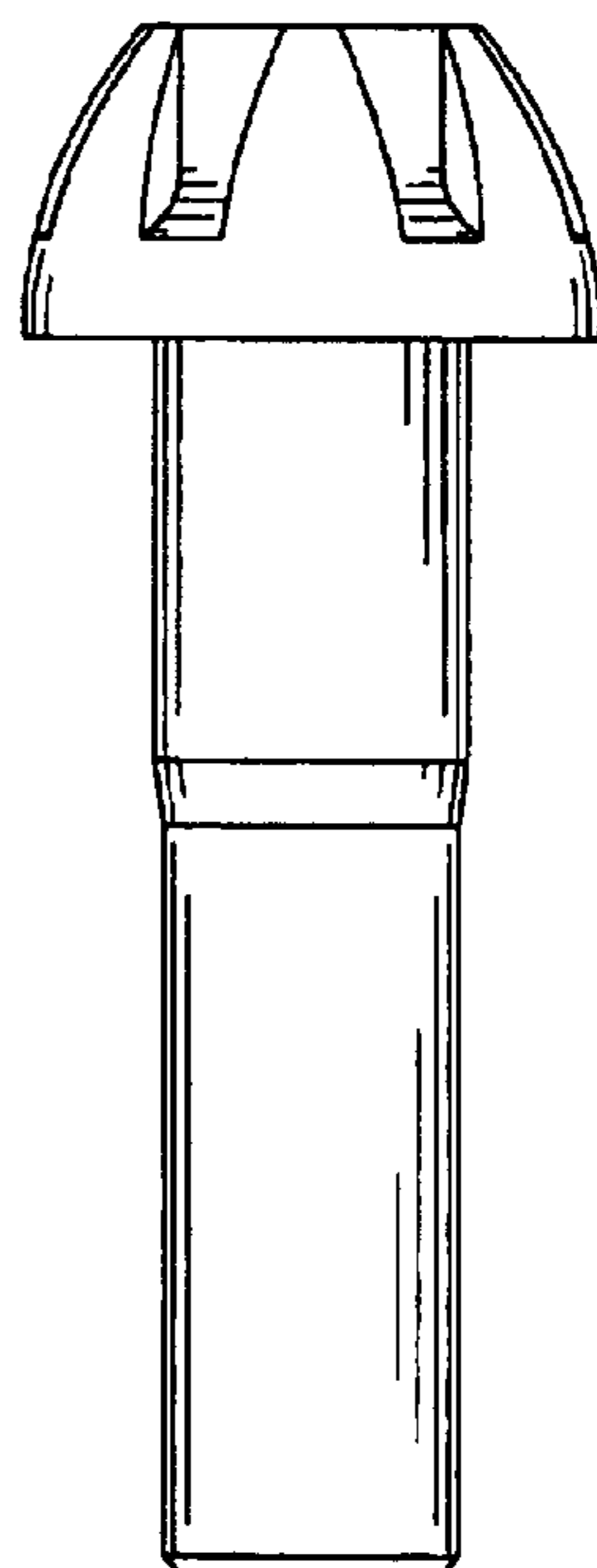


Fig. 5

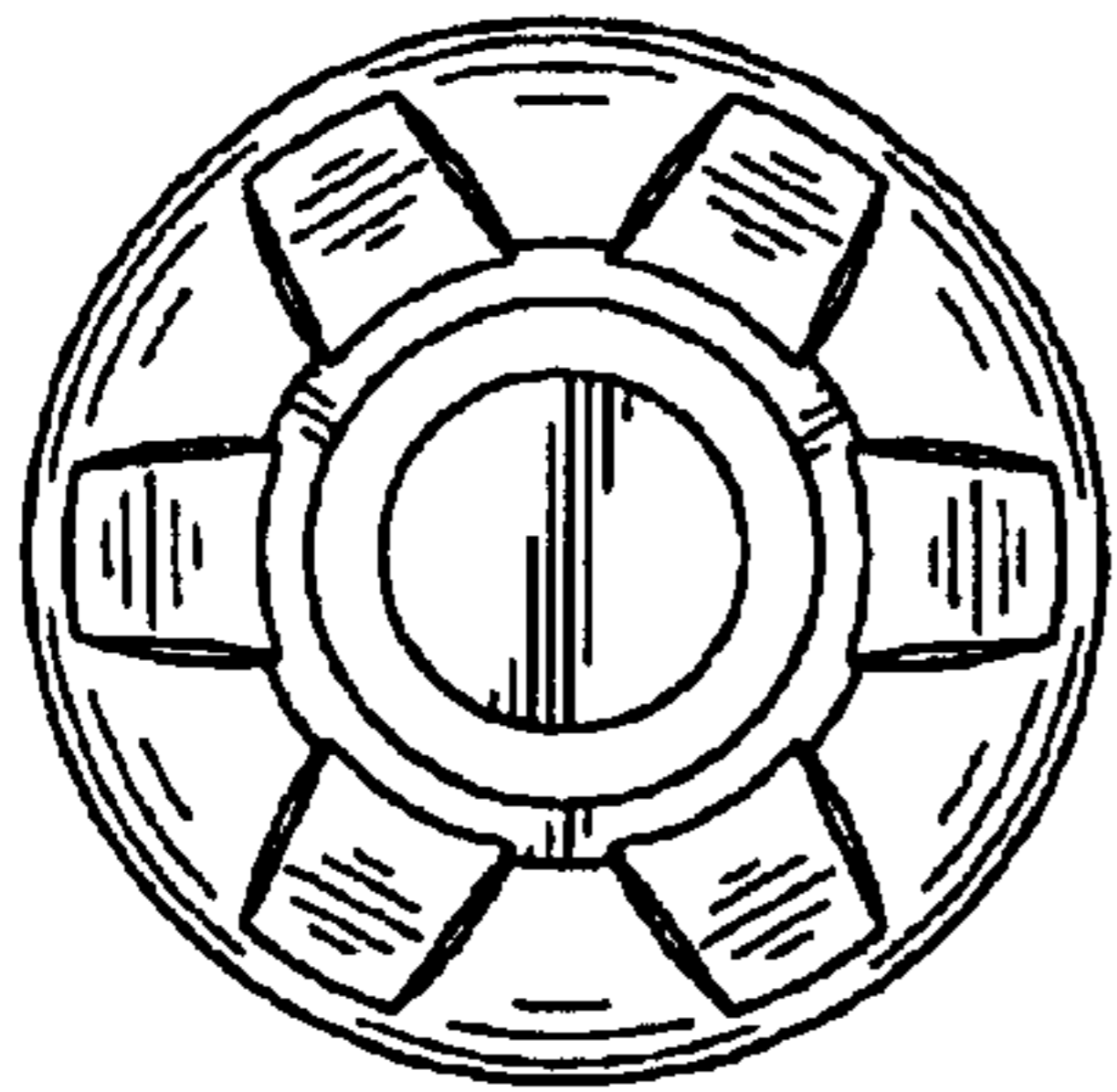


Fig. 6

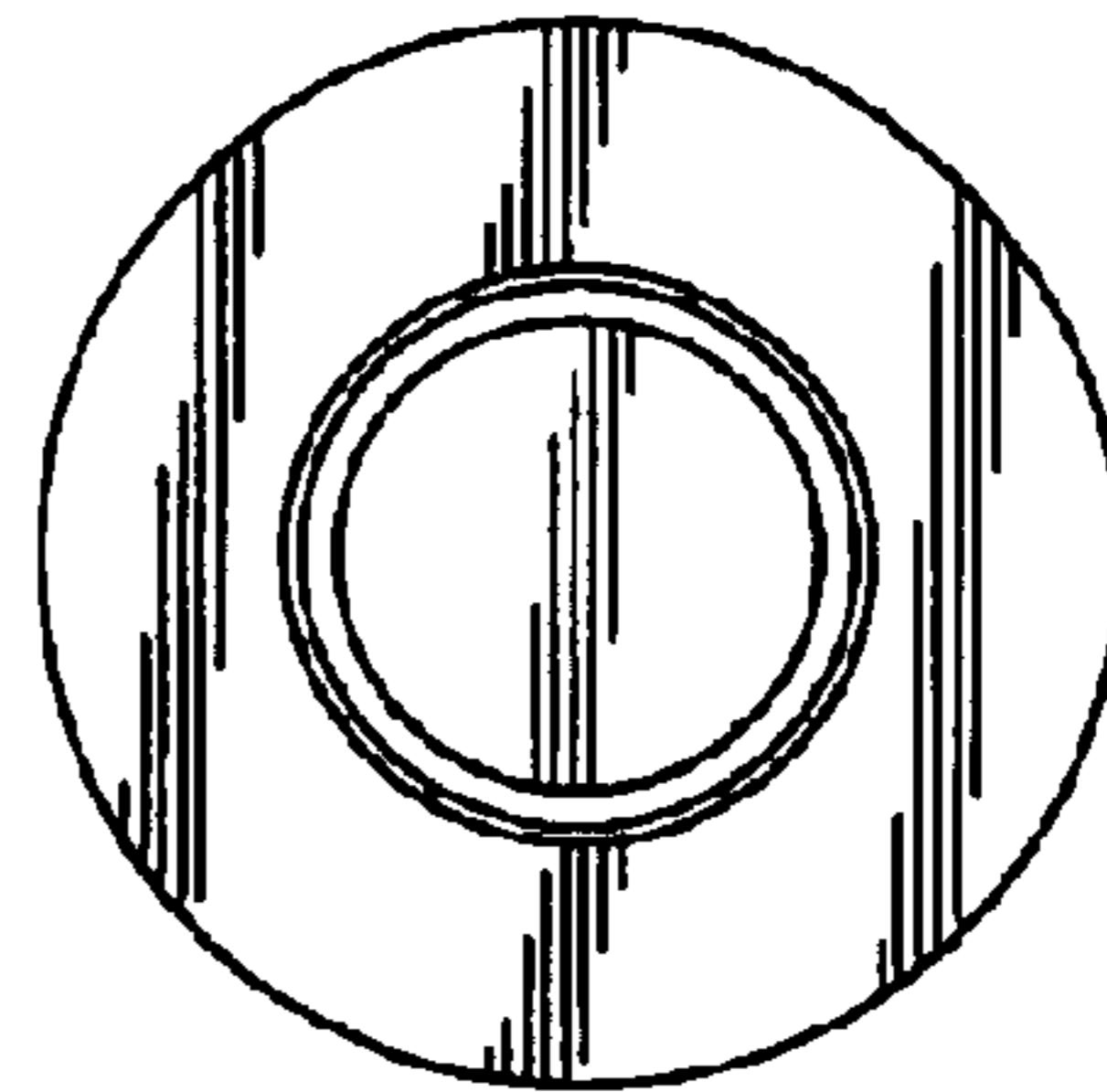


Fig. 7

