



US00D496259S1

(12) **United States Design Patent**  
**Cheng**

(10) **Patent No.:** **US D496,259 S**

(45) **Date of Patent:** **\*\* Sep. 21, 2004**

(54) **CASTER**

(76) **Inventor:** **Fu Cheng**, PMB#1008, 1867 Ygnacio Valley Rd., Walnut Creek, CA (US) 94598

(\*\*) **Term:** **14 Years**

(21) **Appl. No.:** **29/191,829**

(22) **Filed:** **Oct. 16, 2003**

(51) **LOC (7) Cl.** ..... **08-05**

(52) **U.S. Cl.** ..... **D8/375**

(58) **Field of Search** ..... D8/375; D12/204, D12/207, 133; 190/18 A; 16/18 R, 18 CG, 45-47

(56) **References Cited**

**U.S. PATENT DOCUMENTS**

D470,747 S \* 2/2003 Chi ..... D8/375

**OTHER PUBLICATIONS**

DM/054593 (BBS Kraftfahrzeugtechnik) 200-12-14 (abstract). [online].\*

\* cited by examiner

*Primary Examiner*—Holly Baynham

(74) *Attorney, Agent, or Firm*—Leong C. Lei

(57) **CLAIM**

The ornamental design for a caster, as shown and described.

**DESCRIPTION**

FIG. 1 is front perspective view of a caster showing my new design;

FIG. 2 is a front side elevation view thereof;

FIG. 3 is a rear side elevation view thereof;

FIG. 4 is a left side elevation view thereof;

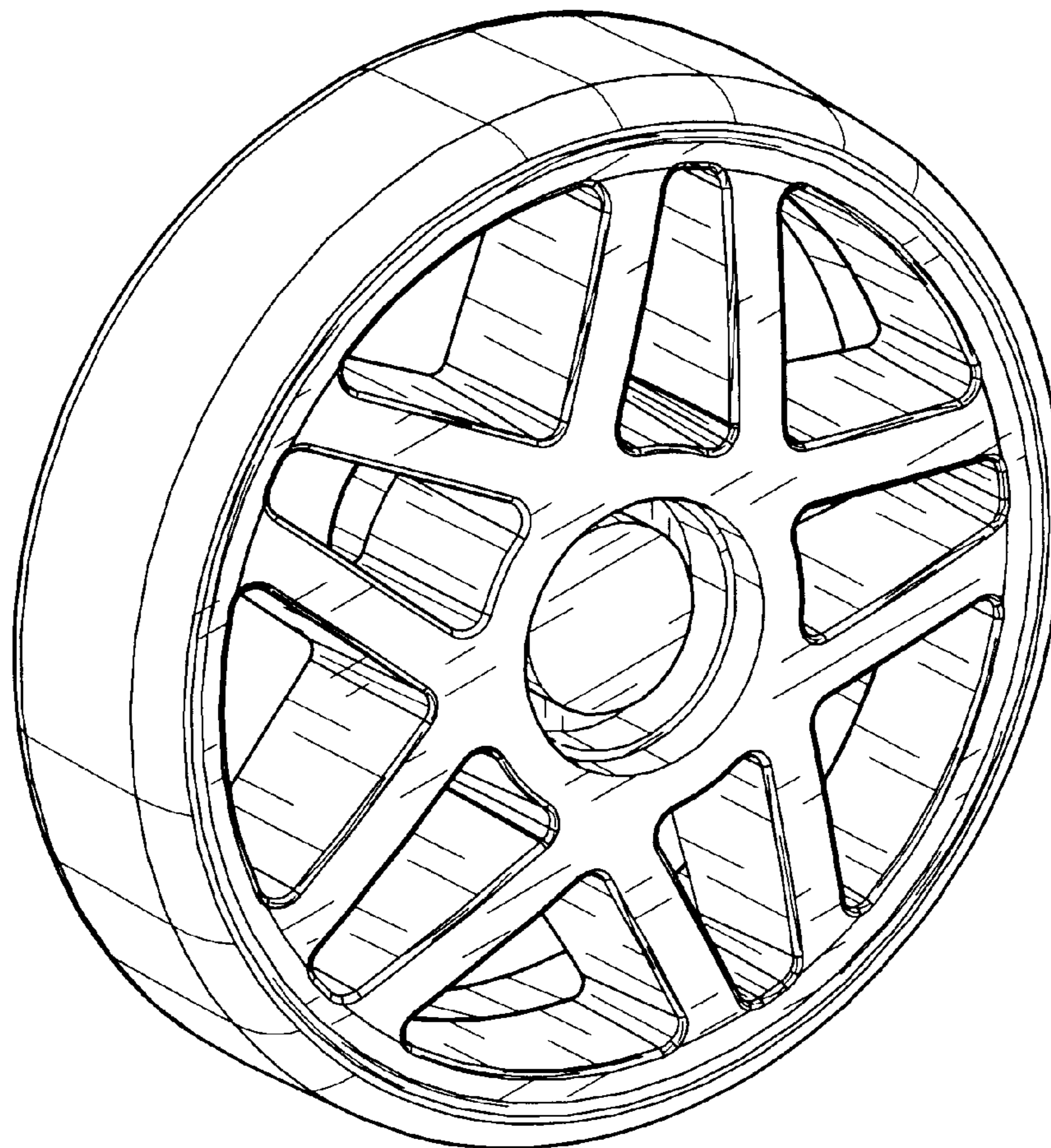
FIG. 5 is a right side elevation view thereof;

FIG. 6 is a top plan view thereof;

FIG. 7 is a bottom plan view thereof; and,

FIG. 8 is a rear perspective view thereof.

**1 Claim, 5 Drawing Sheets**



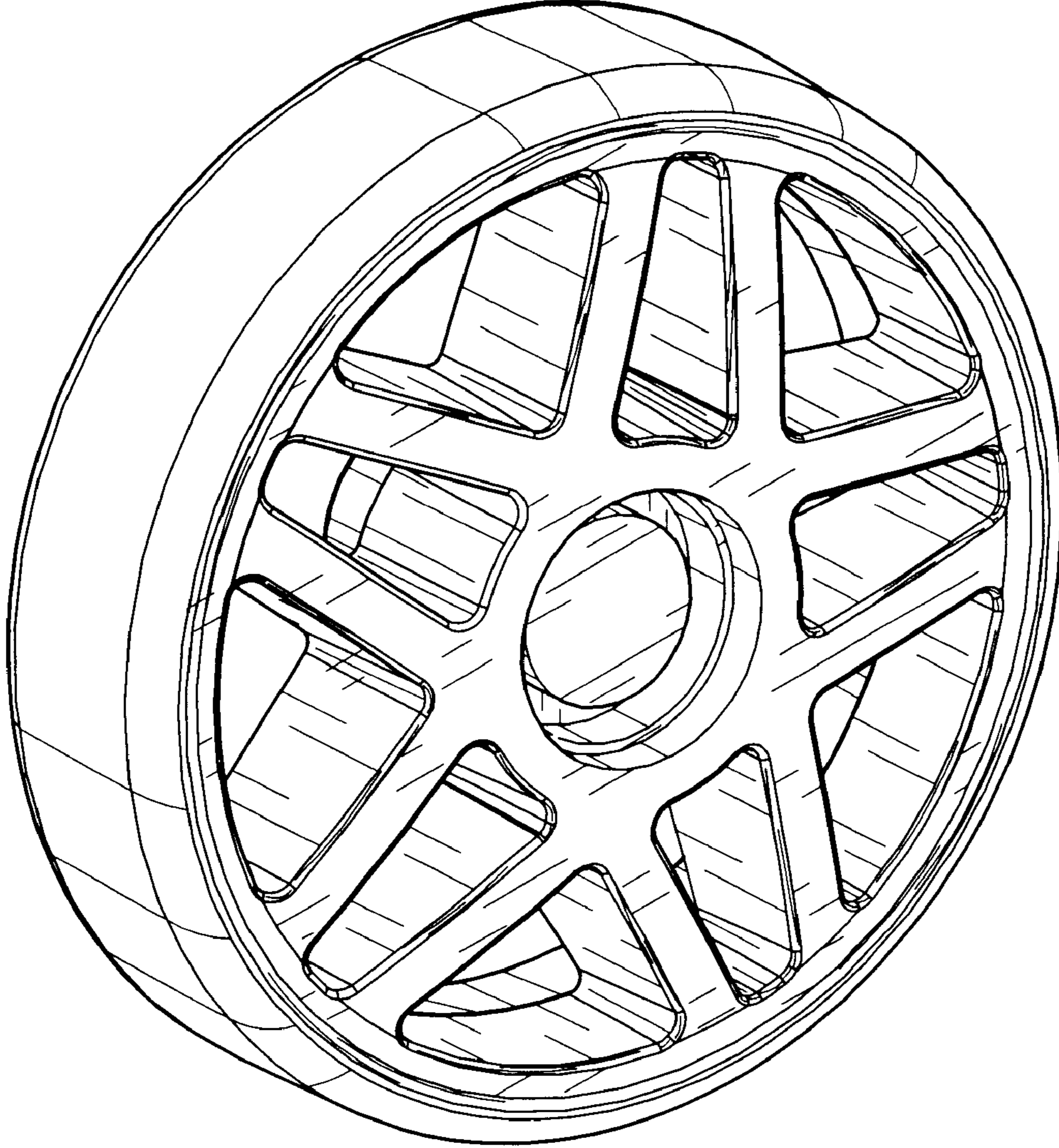


FIG. 1



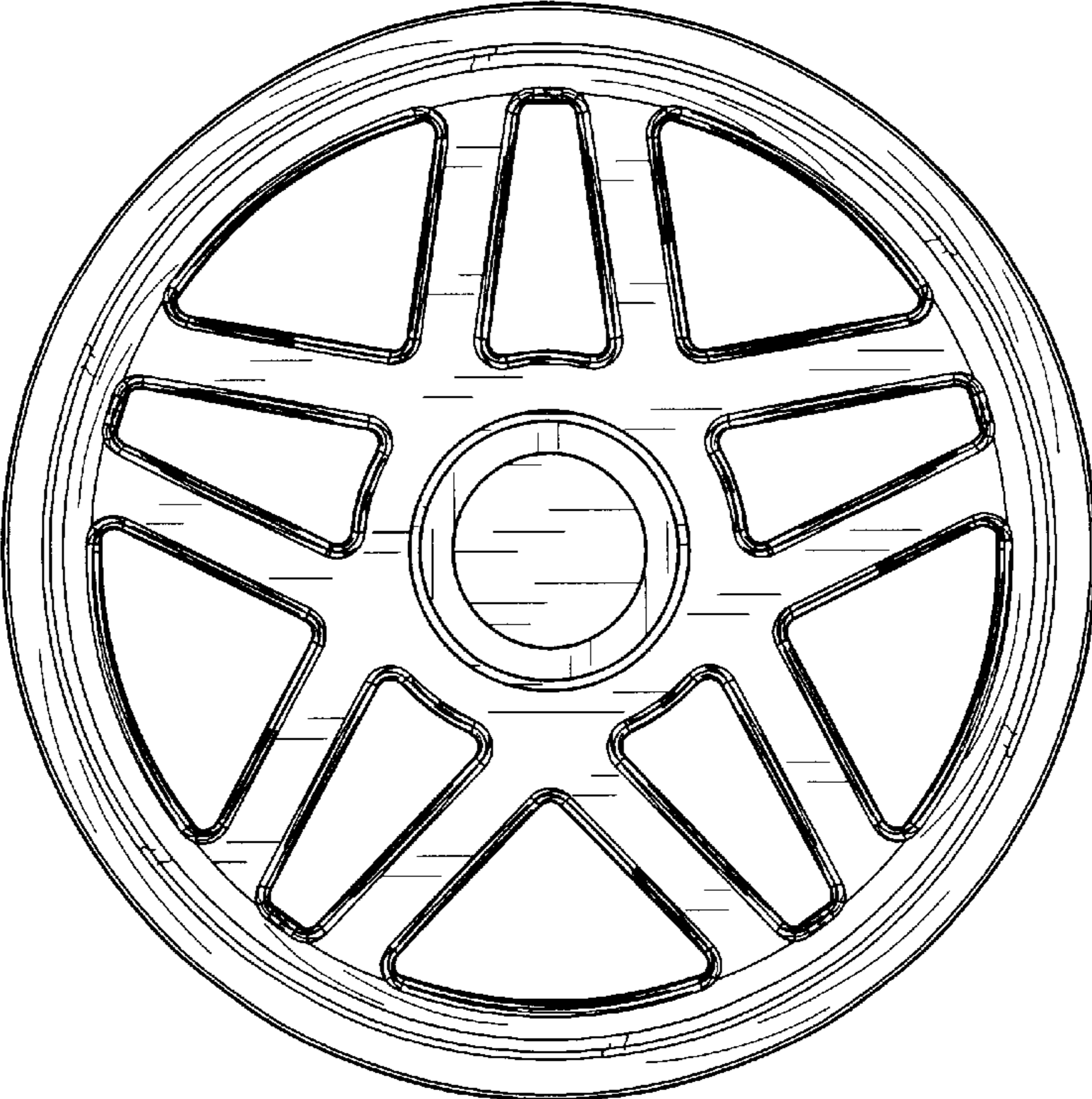


FIG. 2

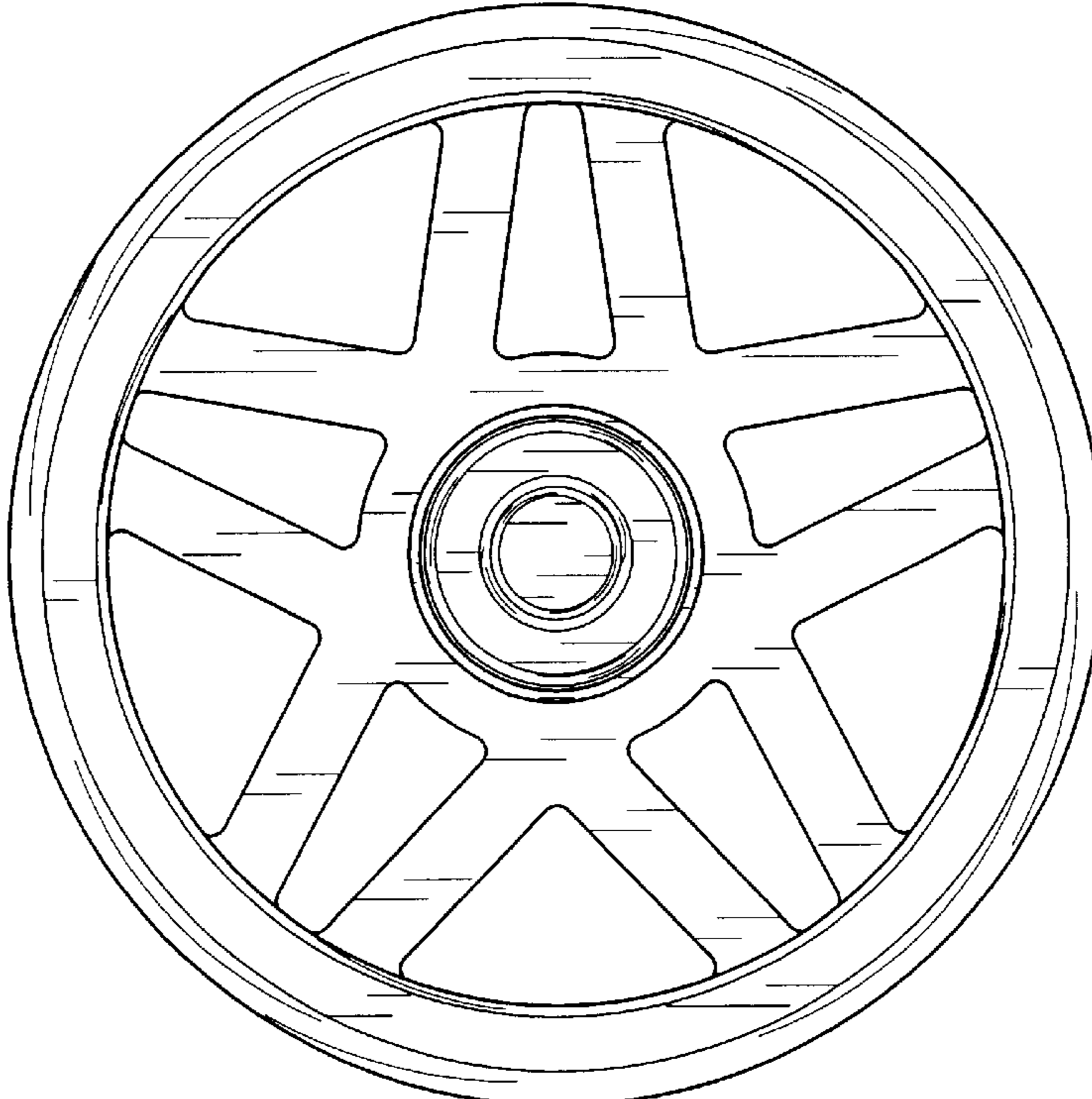


FIG. 3

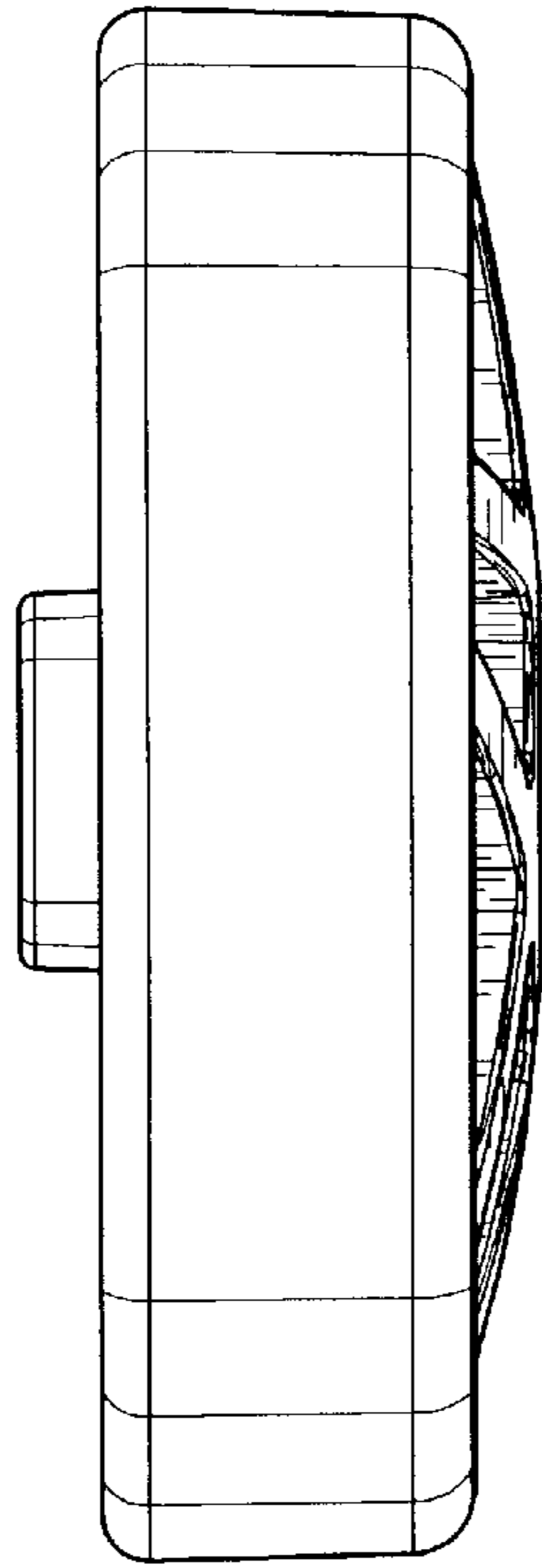


FIG. 4



FIG. 5

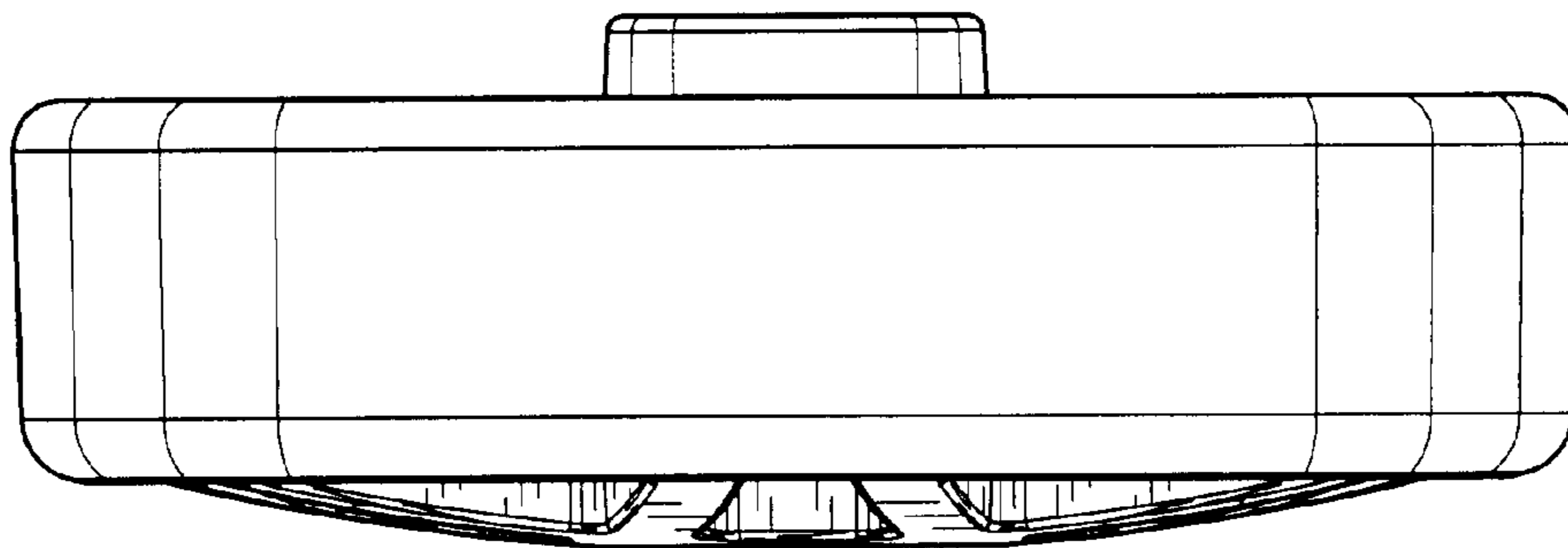


FIG. 6

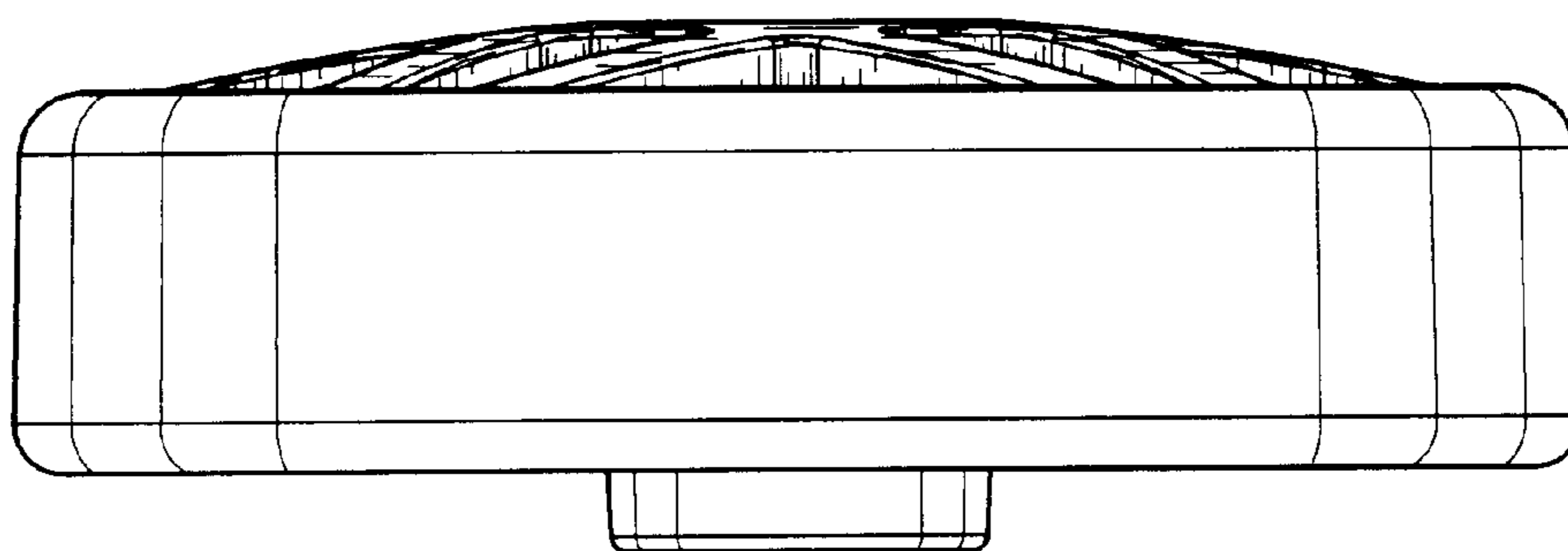


FIG. 7

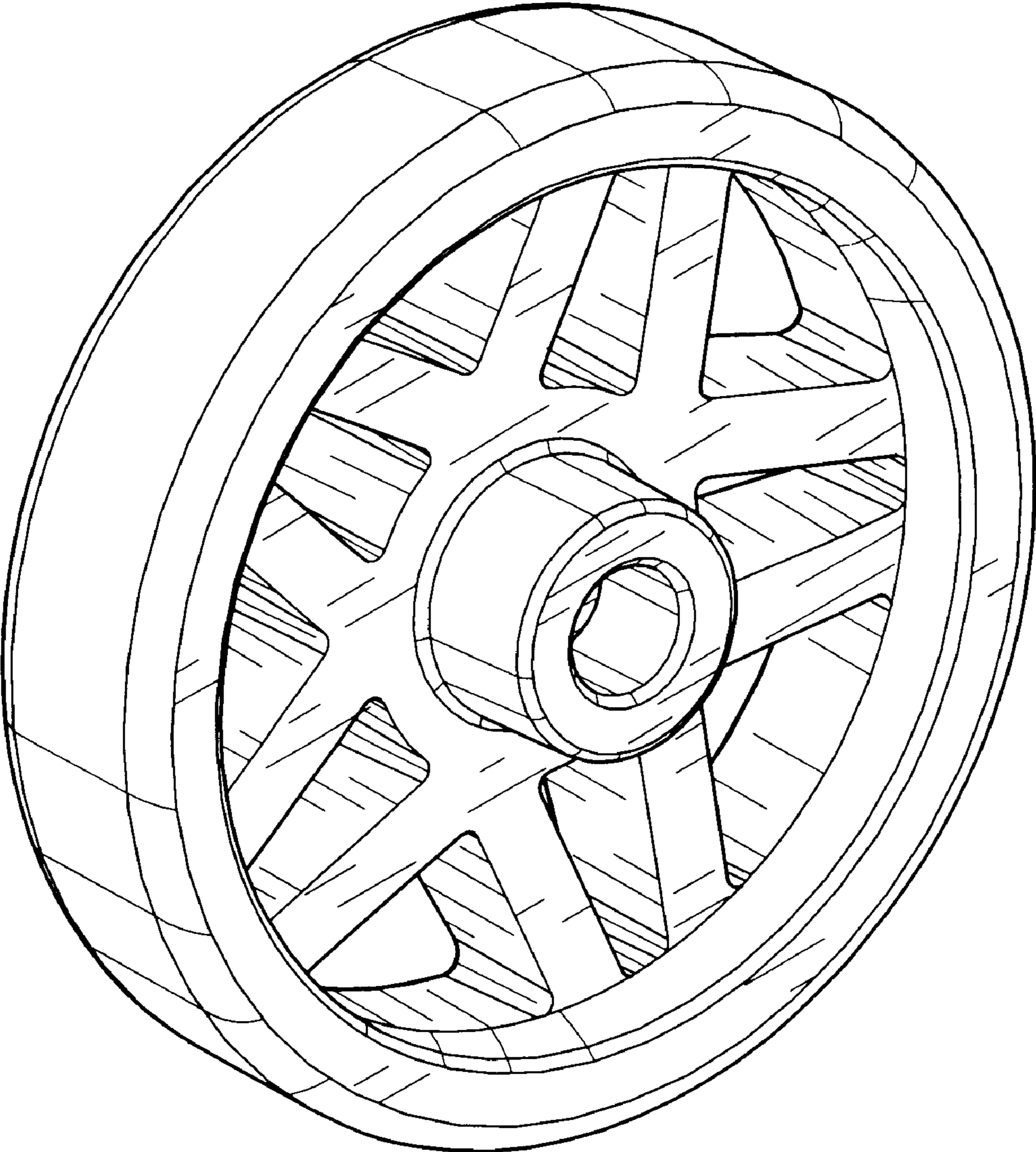


FIG. 8