

US00D496258S1

(12) **United States Design Patent**  
**Fields**

(10) **Patent No.:** **US D496,258 S**

(45) **Date of Patent:** **\*\* Sep. 21, 2004**

(54) **ROBE HOOK**

D472,059 S \* 3/2003 Hoernig ..... D6/323  
D472,061 S \* 3/2003 Hoernig ..... D6/323

(75) Inventor: **Betsy E. Fields**, Silverton, CO (US)

\* cited by examiner

(73) Assignee: **Liberty Hardware Mfg. Corp.**,  
Winston-Salem, NC (US)

*Primary Examiner*—Holly Baynham

(74) *Attorney, Agent, or Firm*—Edgar A. Zarins; Lloyd D. Doigan

(\*\*) Term: **14 Years**

(21) Appl. No.: **29/197,331**

(57) **CLAIM**

(22) Filed: **Jan. 13, 2004**

The ornamental design for a robe hook, as shown and described.

(51) **LOC (7) Cl.** ..... **08-05**

(52) **U.S. Cl.** ..... **D8/367**

(58) **Field of Search** ..... D8/367, 373, 363;  
D6/323; 248/301, 304, 214–215

**DESCRIPTION**

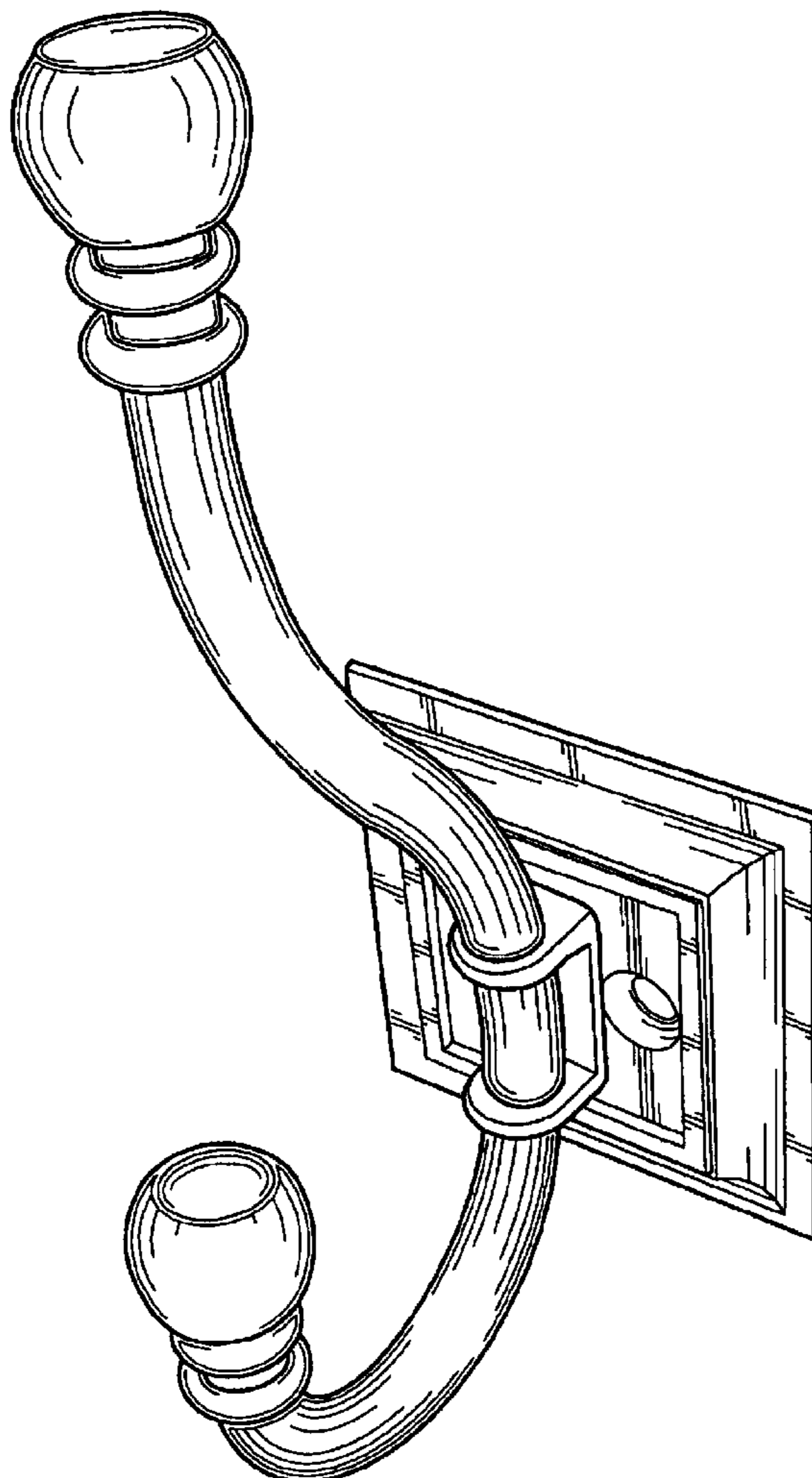
FIG. 1 is a perspective view of a robe hook showing my new design;  
FIG. 2 is a front elevational view thereof;  
FIG. 3 is a left side view thereof;  
FIG. 4 is a top plan view thereof;  
FIG. 5 is a bottom plan view thereof;  
FIG. 6 is a right side view thereof; and,  
FIG. 7 is a rear view thereof.

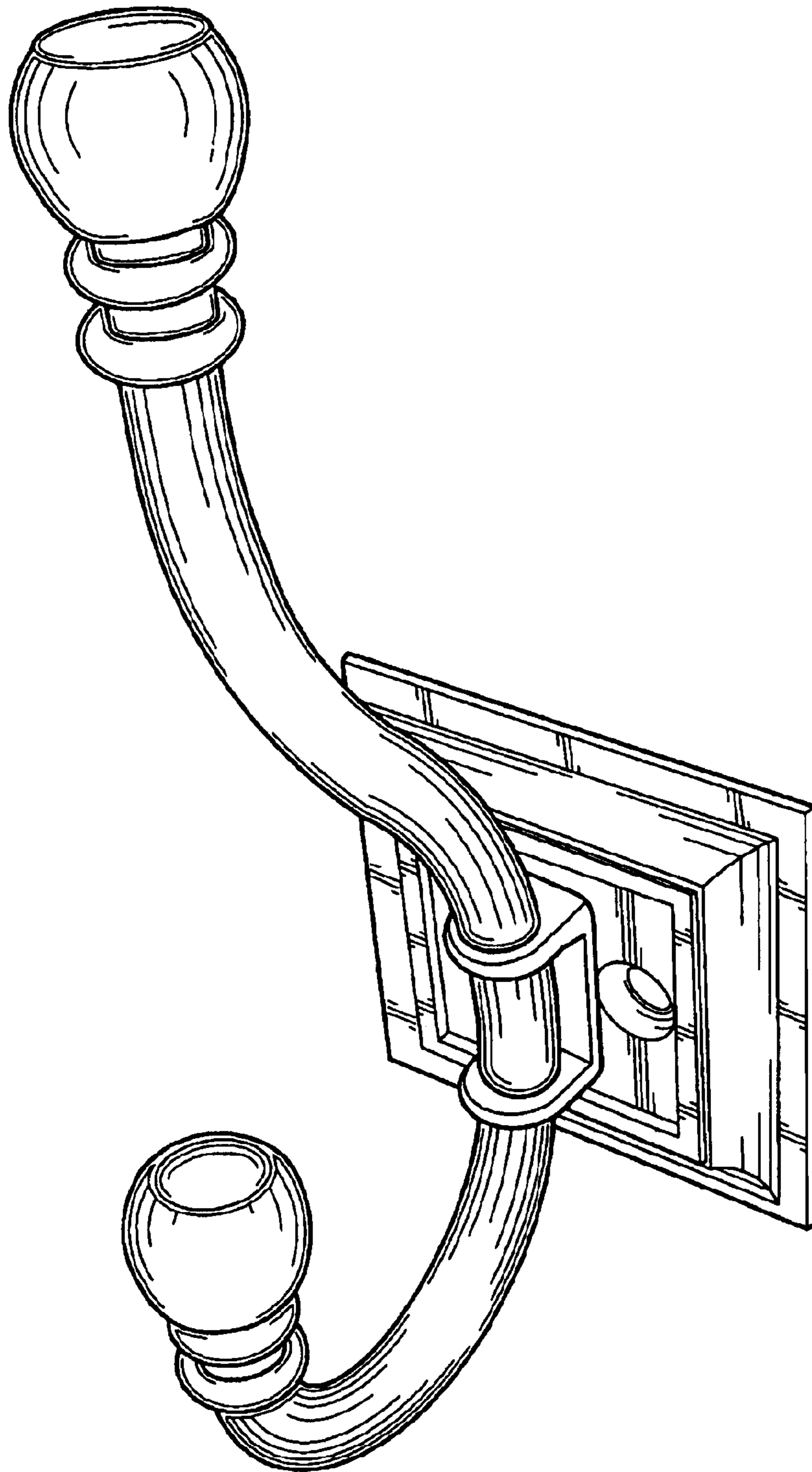
(56) **References Cited**

**U.S. PATENT DOCUMENTS**

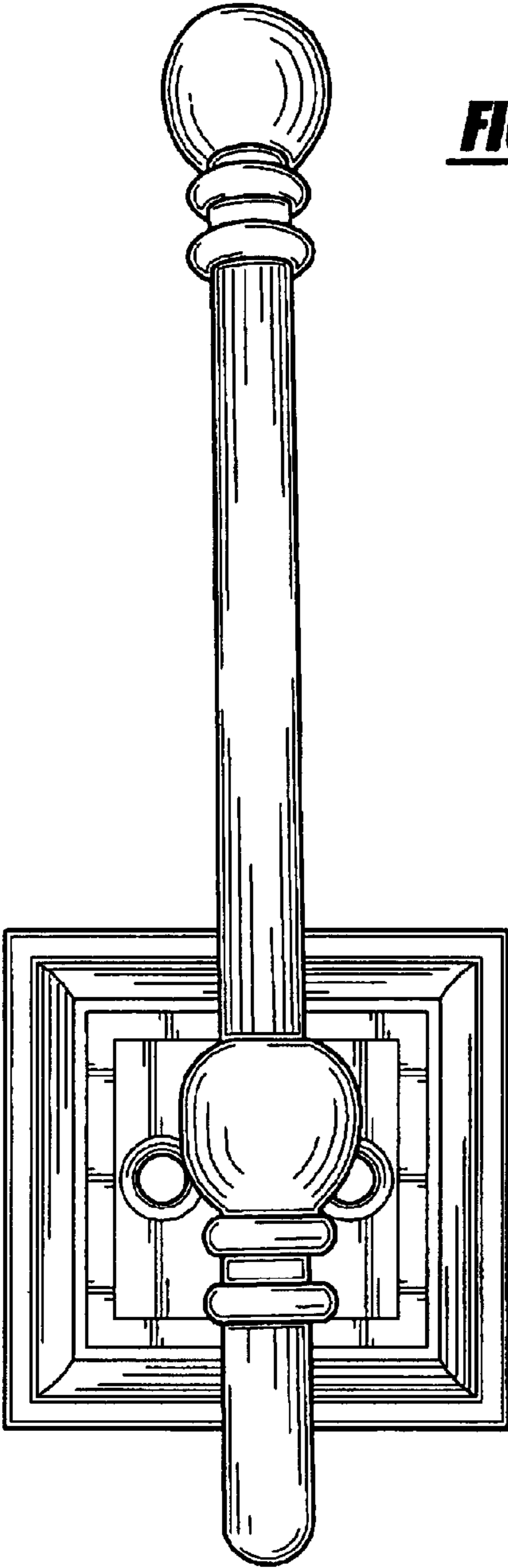
465,259 A \* 12/1891 Glover ..... 248/304  
4,082,243 A \* 4/1978 Watt et al. .... 248/205.1  
D267,137 S \* 12/1982 Mayer ..... D8/367  
D343,066 S \* 1/1994 Hsu ..... D6/323

**1 Claim, 4 Drawing Sheets**

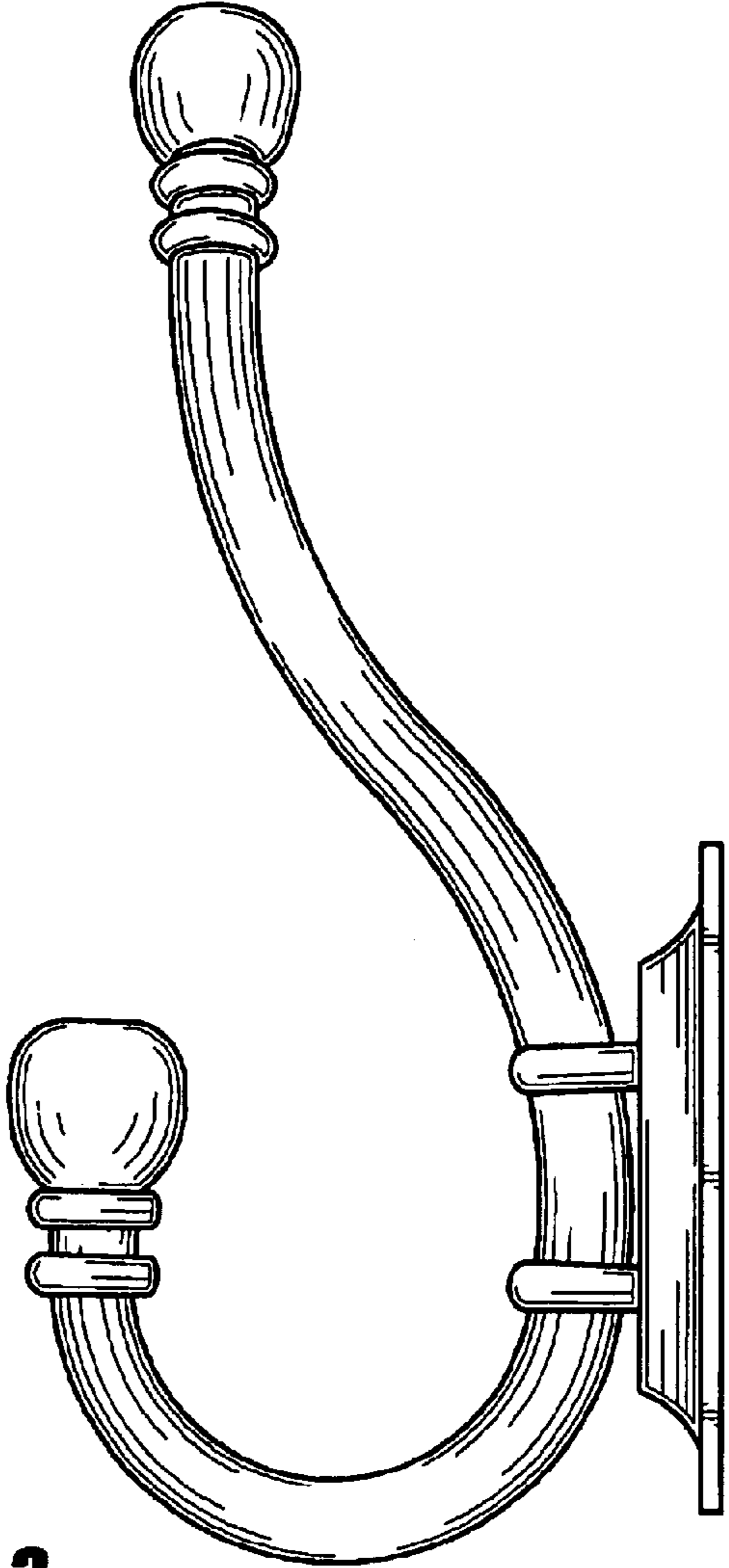




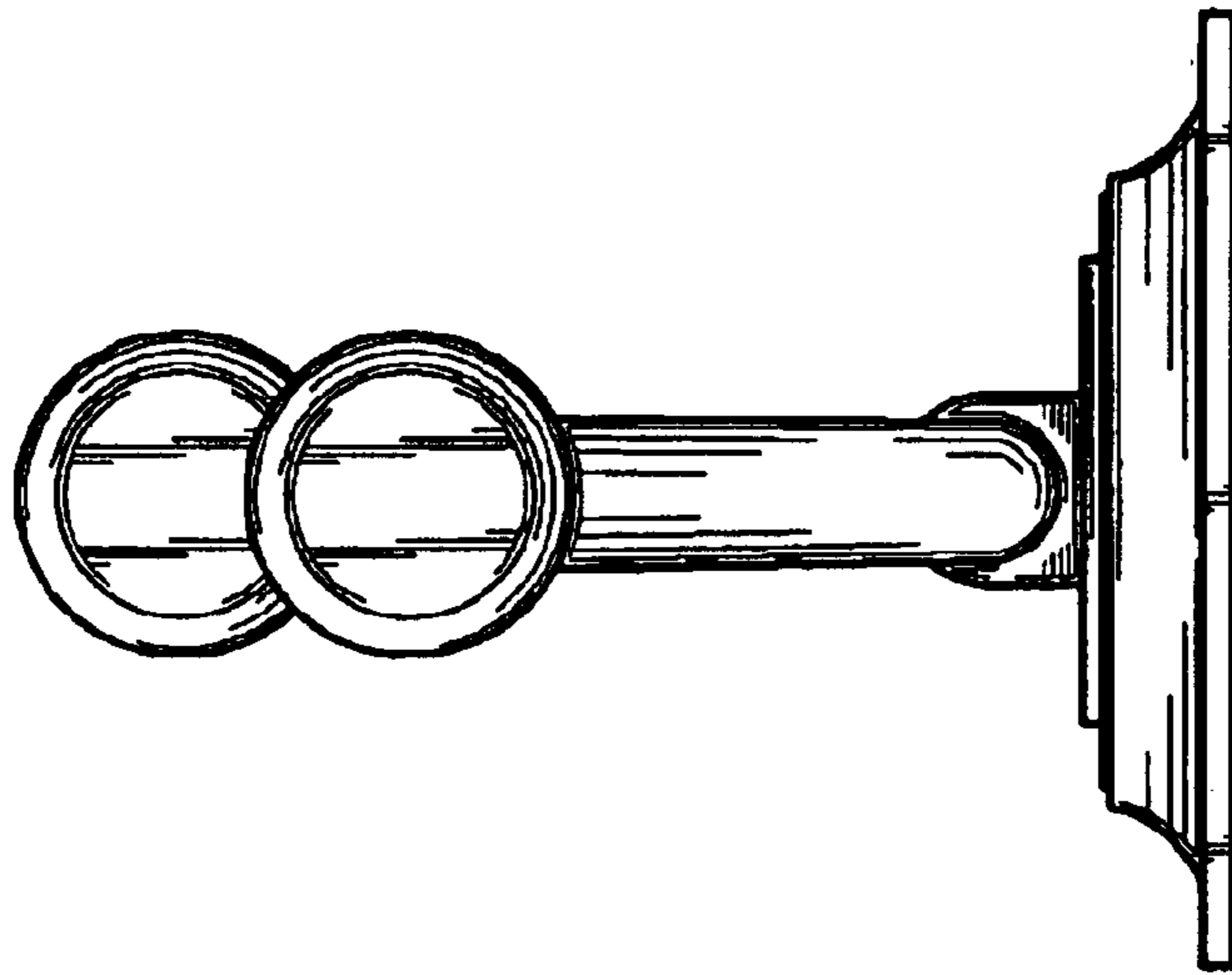
**FIG - 1**



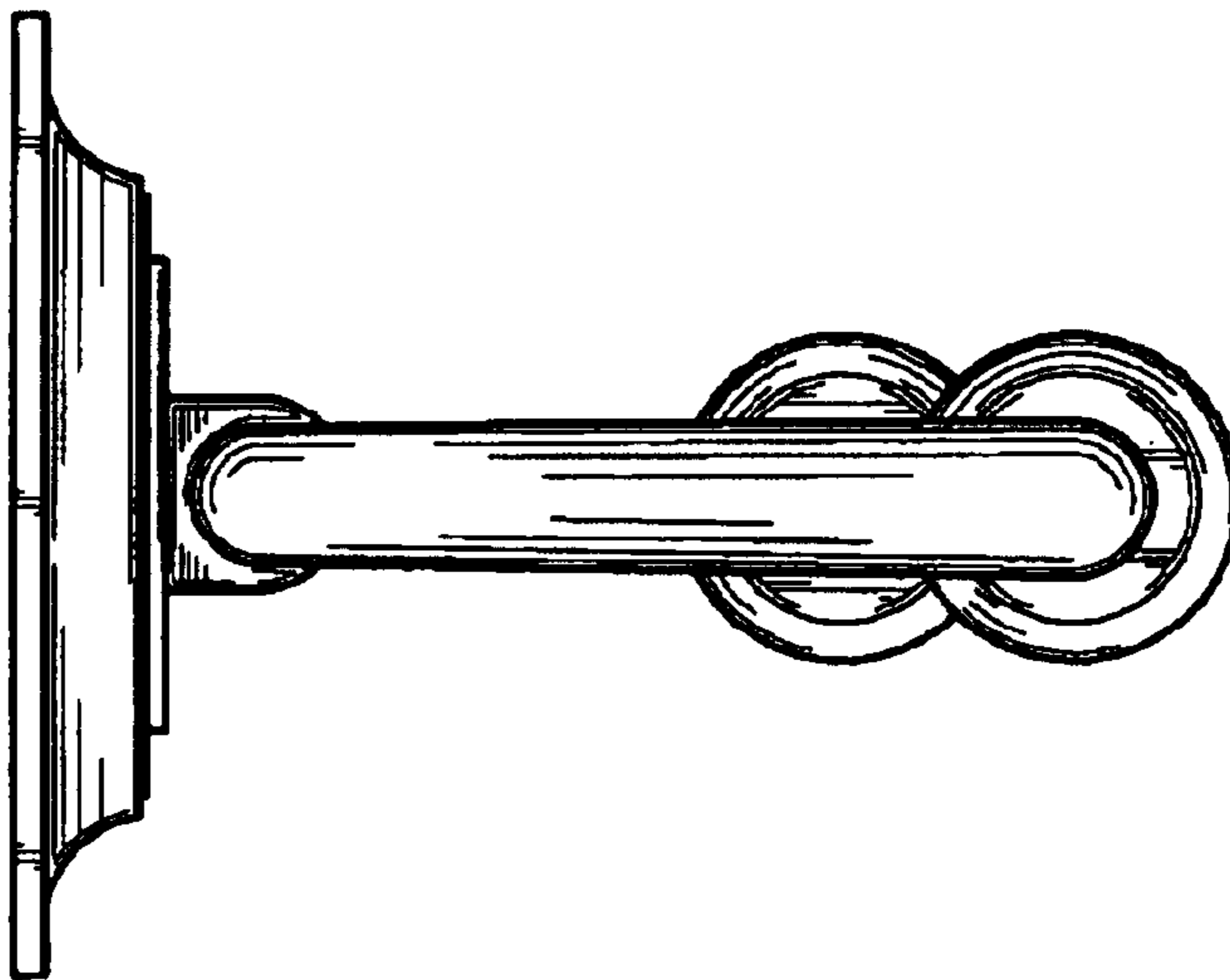
**FIG - 2**



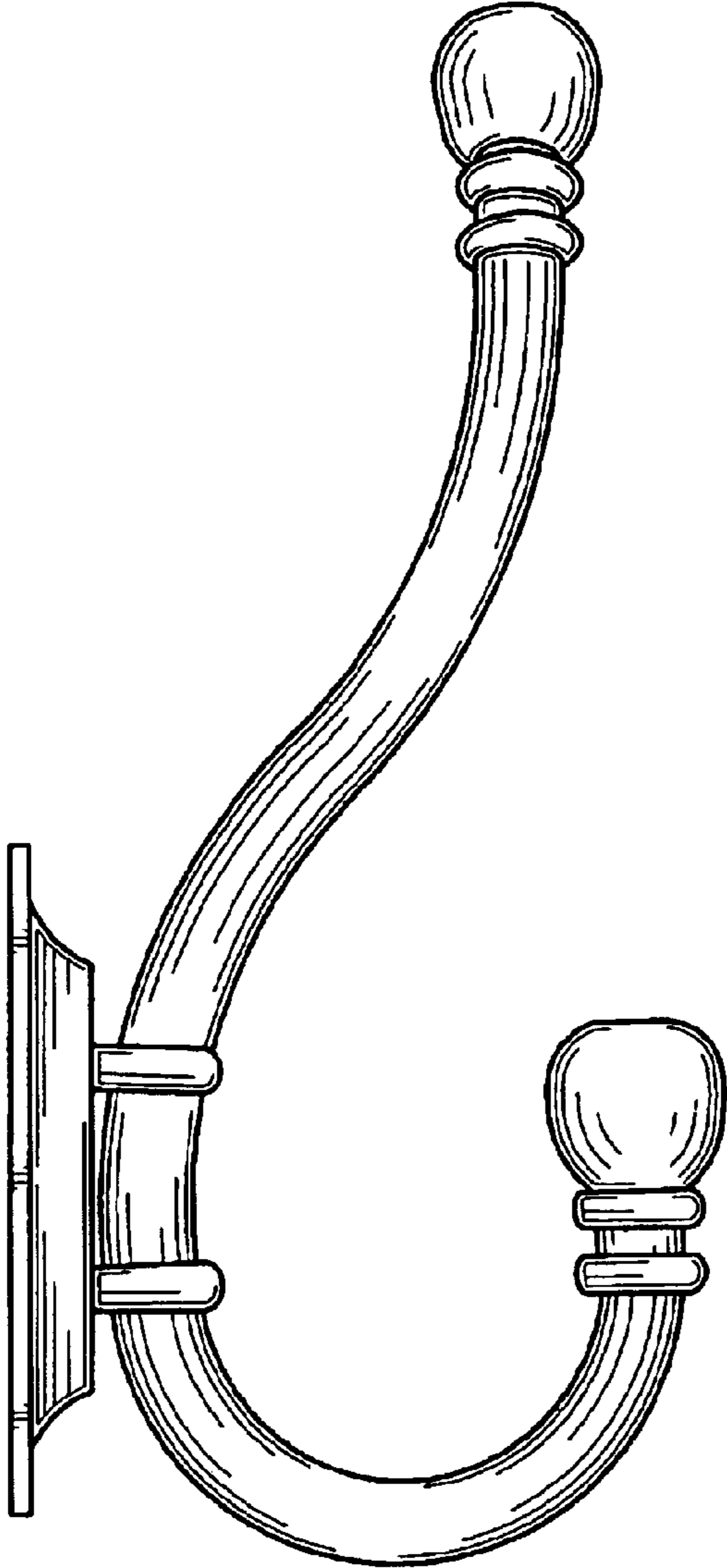
**FIG - 3**



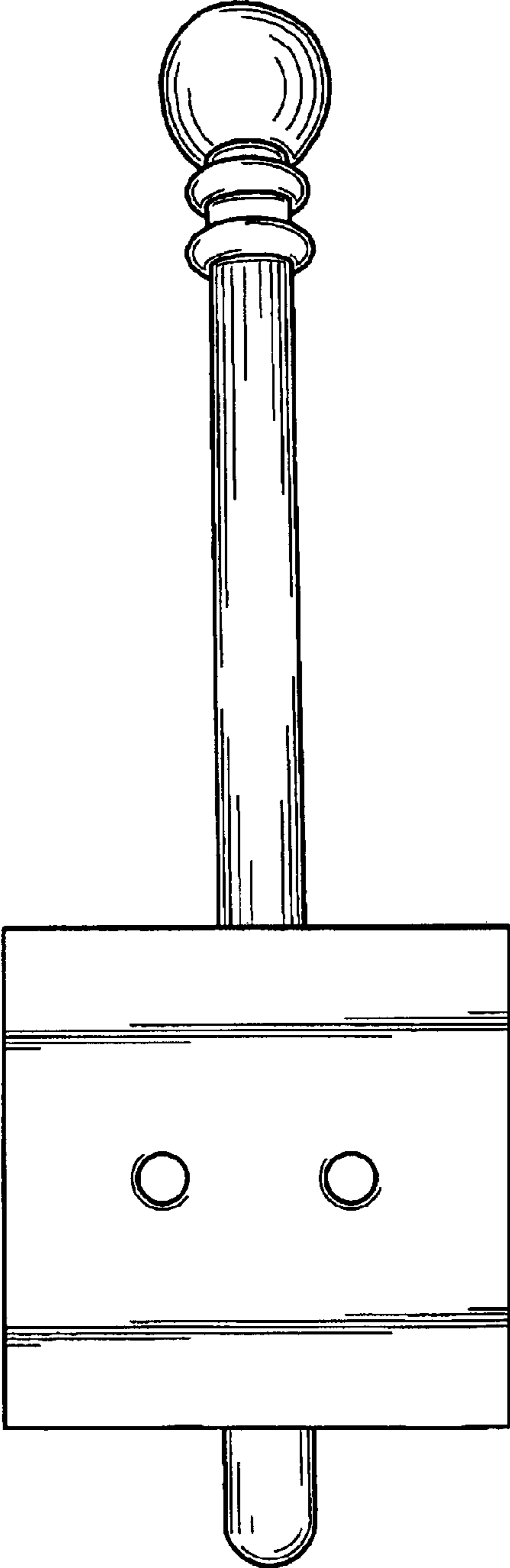
**FIG - 4**



**FIG - 5**



**FIG - 6**



**FIG - 7**