

US00D496257S1

(12) **United States Design Patent**
Fields

(10) **Patent No.:** **US D496,257 S**

(45) **Date of Patent:** **** Sep. 21, 2004**

(54) **ROBE HOOK**

D453,271 S * 2/2002 Gilbert et al. D6/323

(75) Inventor: **Betsy E. Fields**, Silverton, CO (US)

* cited by examiner

(73) Assignee: **Liberty Hardware Mfg. Corp.**,
Winston-Salem, NC (US)

Primary Examiner—Holly Baynham

(74) *Attorney, Agent, or Firm*—Edgar A. Zarins; Lloyd D. Doigan

(**) Term: **14 Years**

(57) **CLAIM**

(21) Appl. No.: **29/197,328**

The ornamental design for a robe hook, as shown and described.

(22) Filed: **Jan. 13, 2004**

DESCRIPTION

(51) **LOC (7) Cl.** **08-05**

(52) **U.S. Cl.** **D8/367**

(58) **Field of Search** D8/367, 363, 373;
D6/323; 248/301, 304, 214–215

FIG. 1 is a perspective view of a robe hook showing my new design;

FIG. 2 is a front elevational view thereof;

FIG. 3 is a rear view thereof;

FIG. 4 is a top plan view thereof;

FIG. 5 is a bottom plan view thereof;

FIG. 6 is a right side view thereof; and,

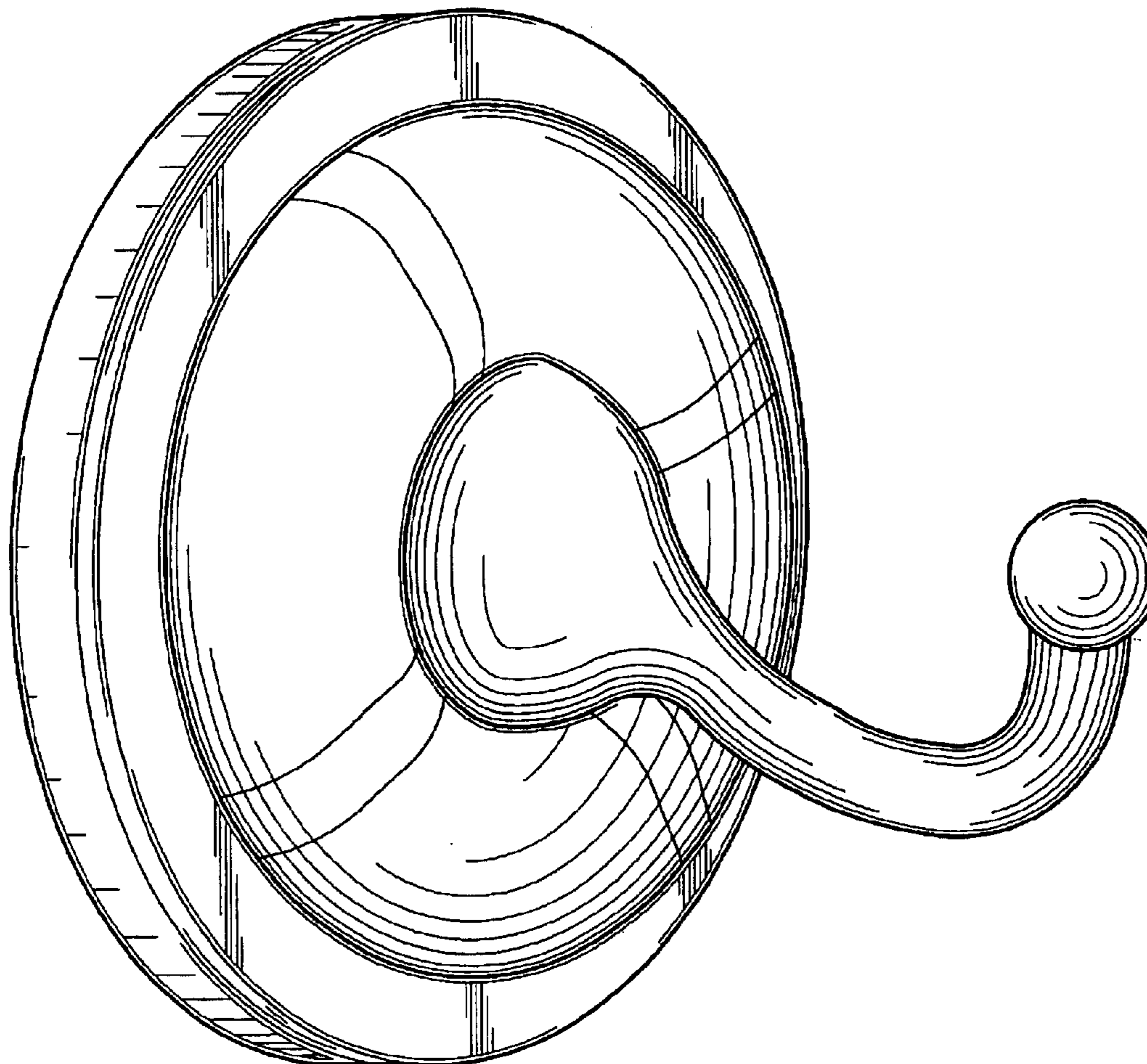
FIG. 7 is a left side view thereof.

(56) **References Cited**

U.S. PATENT DOCUMENTS

- D305,863 S * 2/1990 Gresens et al. D8/352
- D394,973 S * 6/1998 Moore et al. D6/550
- D416,139 S * 11/1999 Roth et al. D6/323

1 Claim, 4 Drawing Sheets



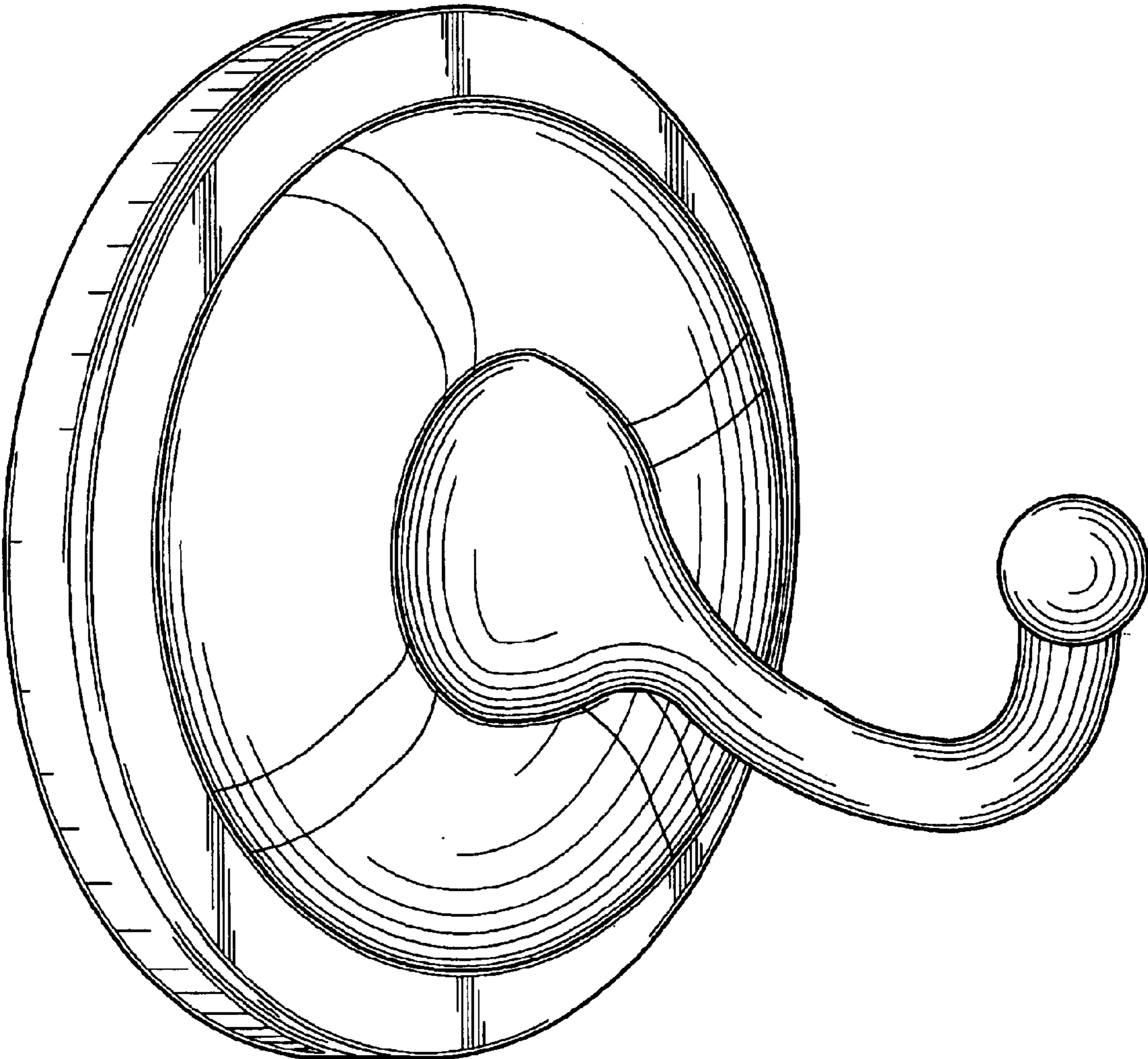


FIG - 1

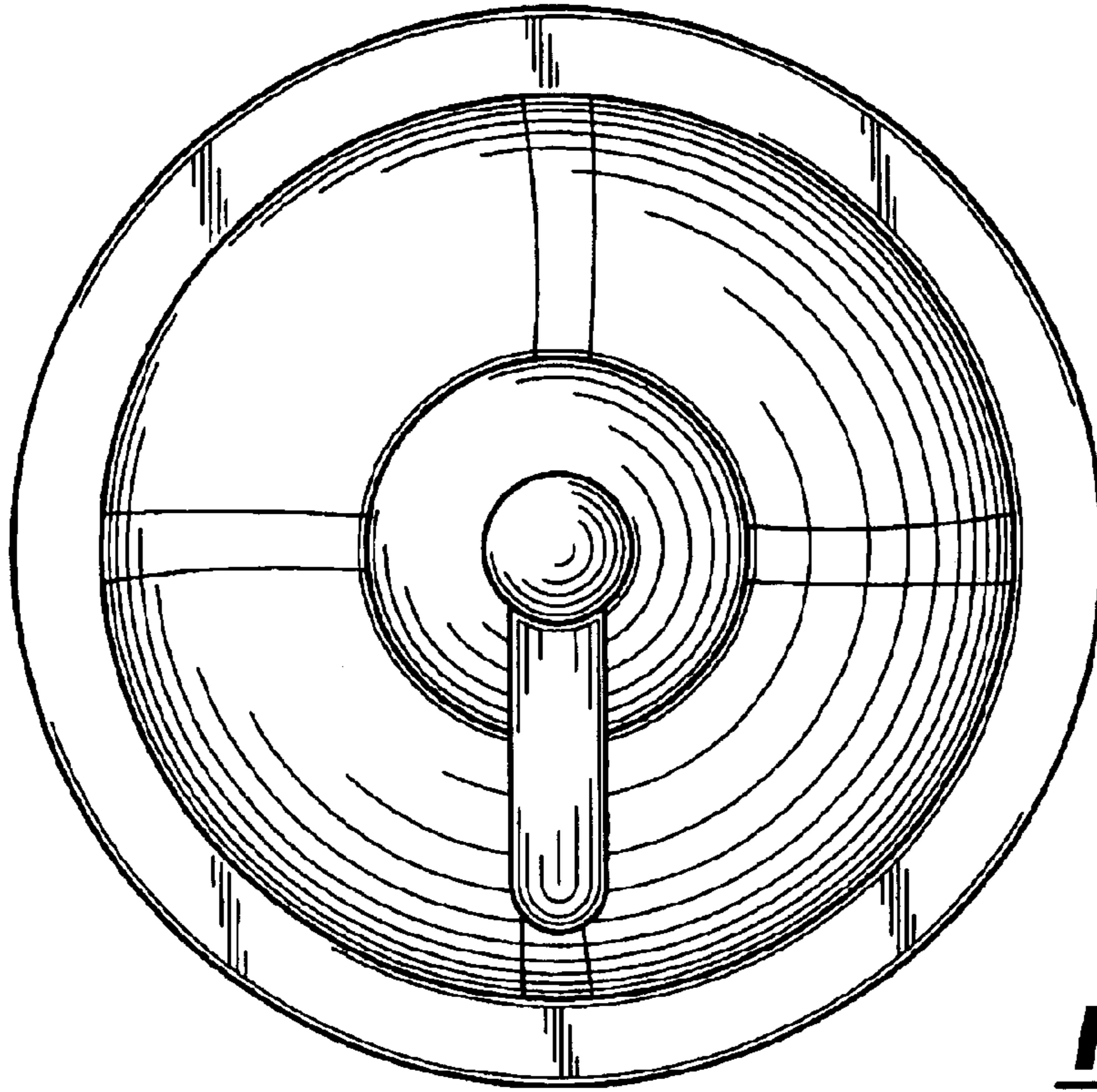


FIG - 2

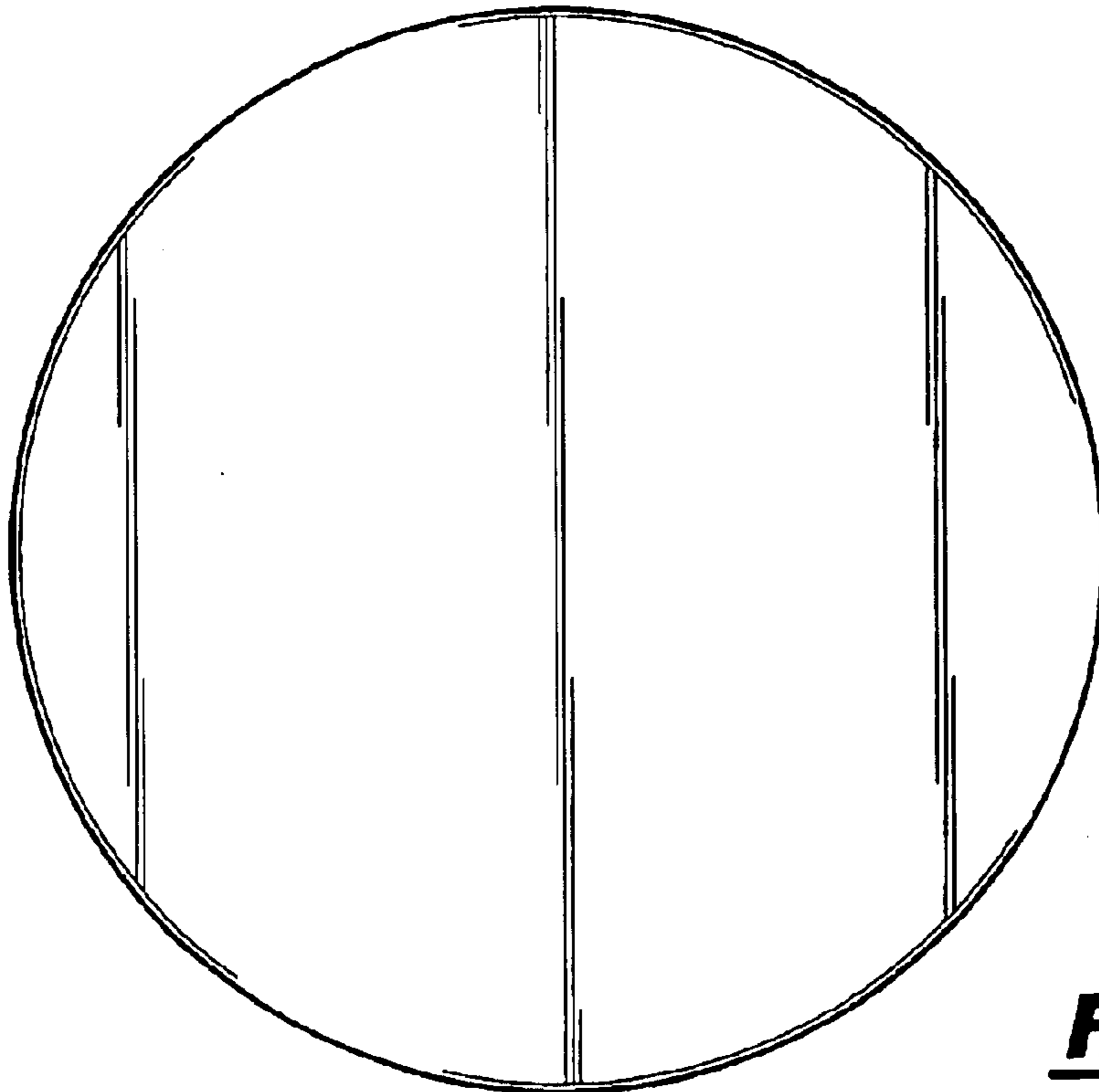


FIG - 3

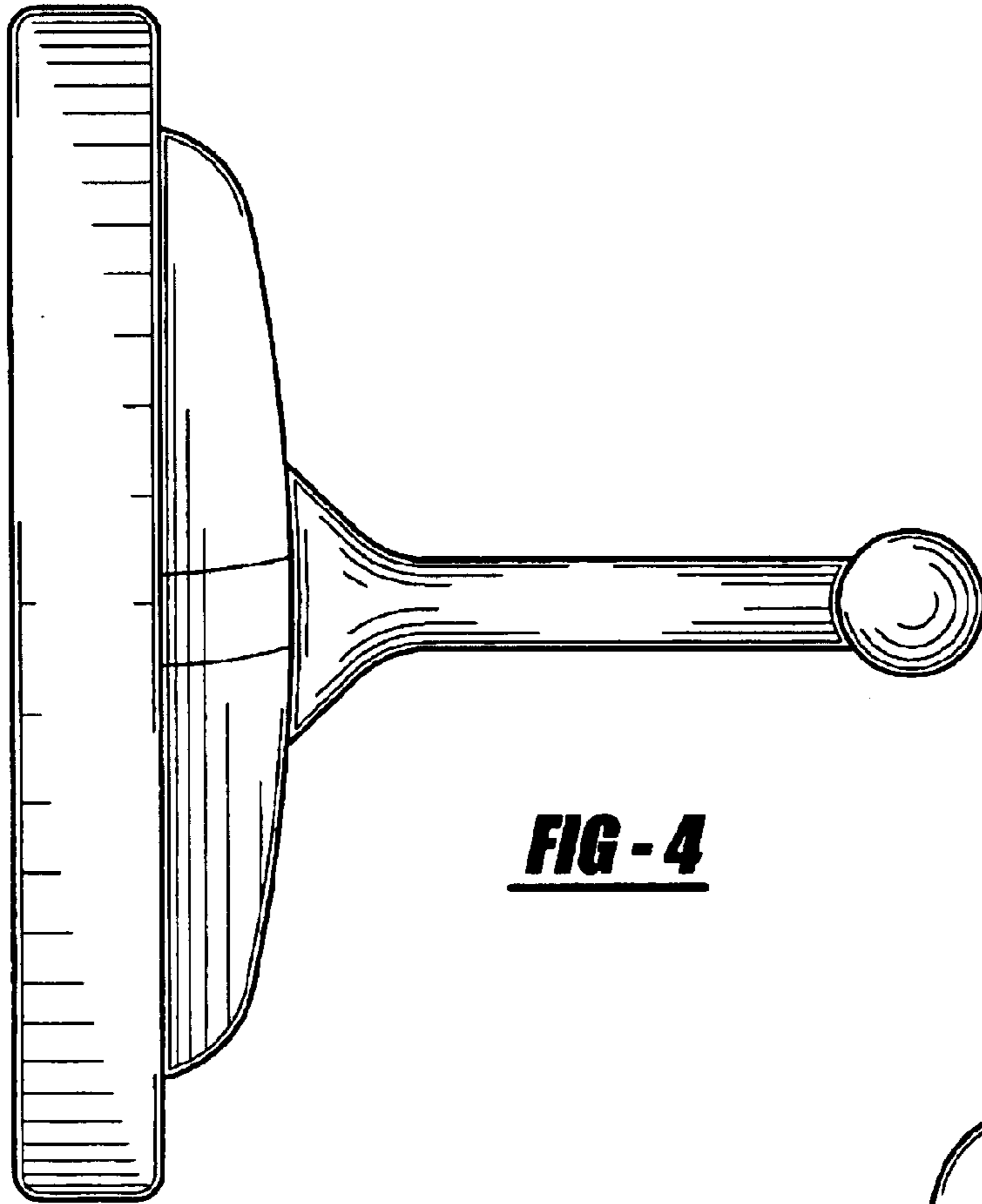


FIG - 4

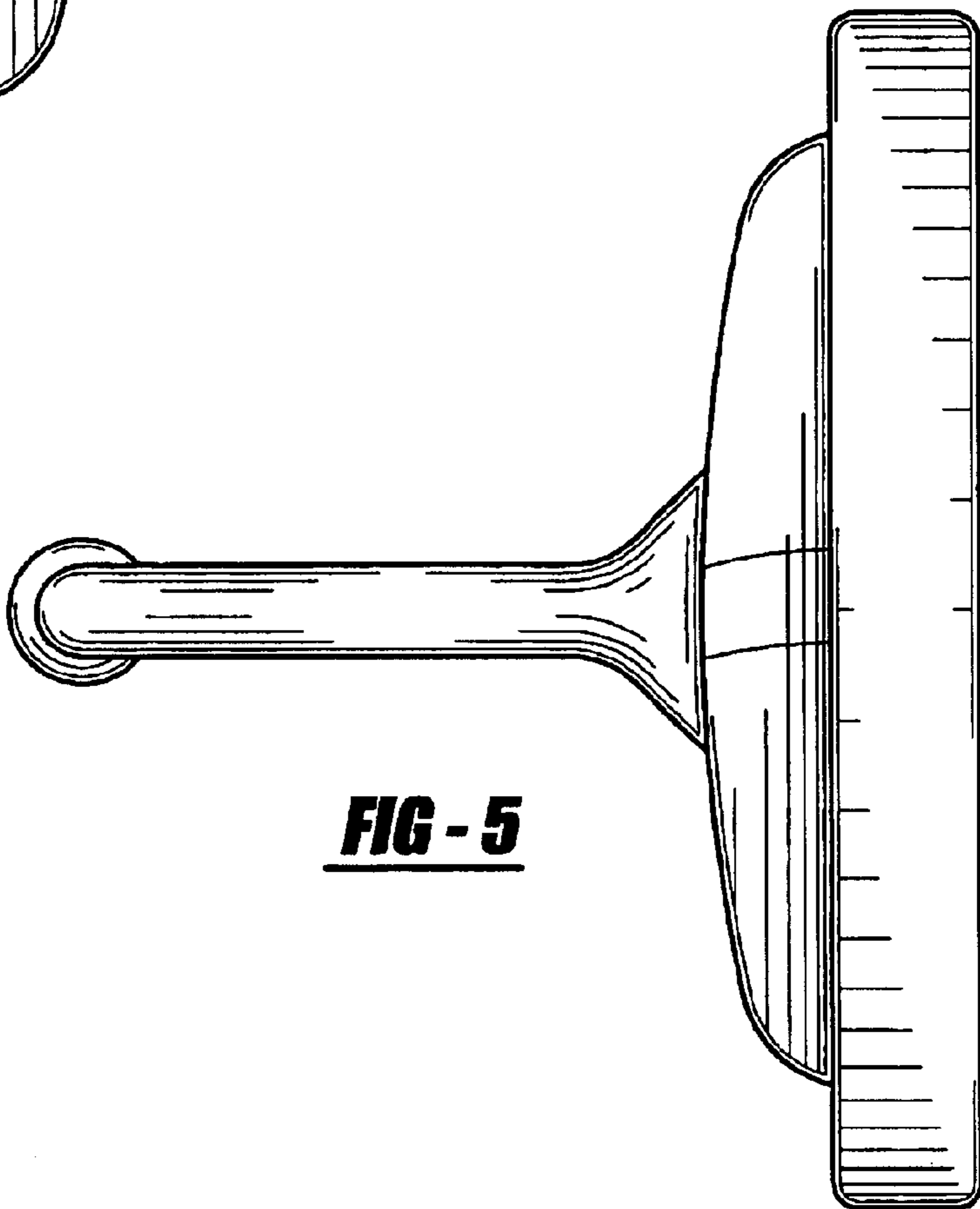


FIG - 5

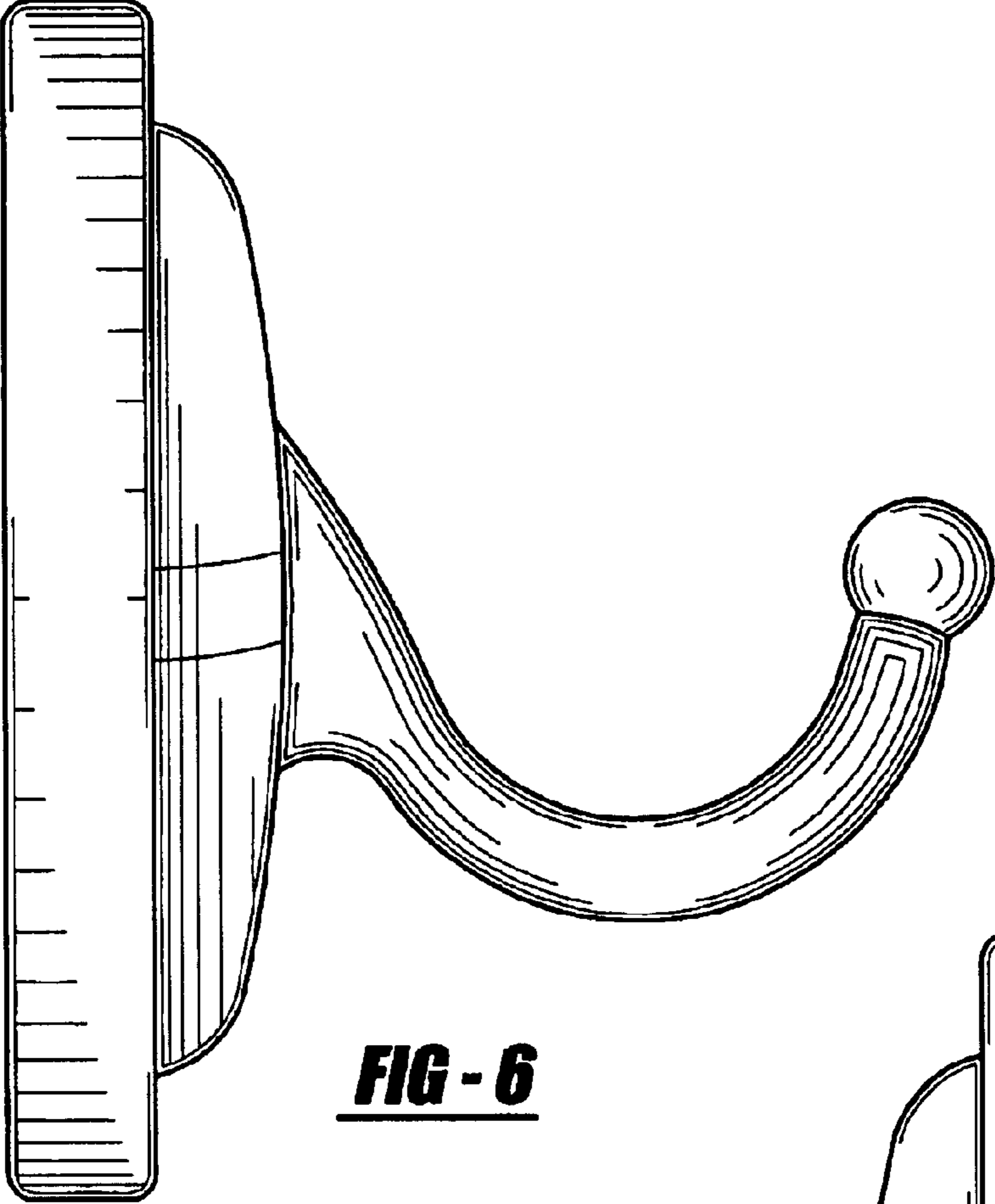


FIG - 6

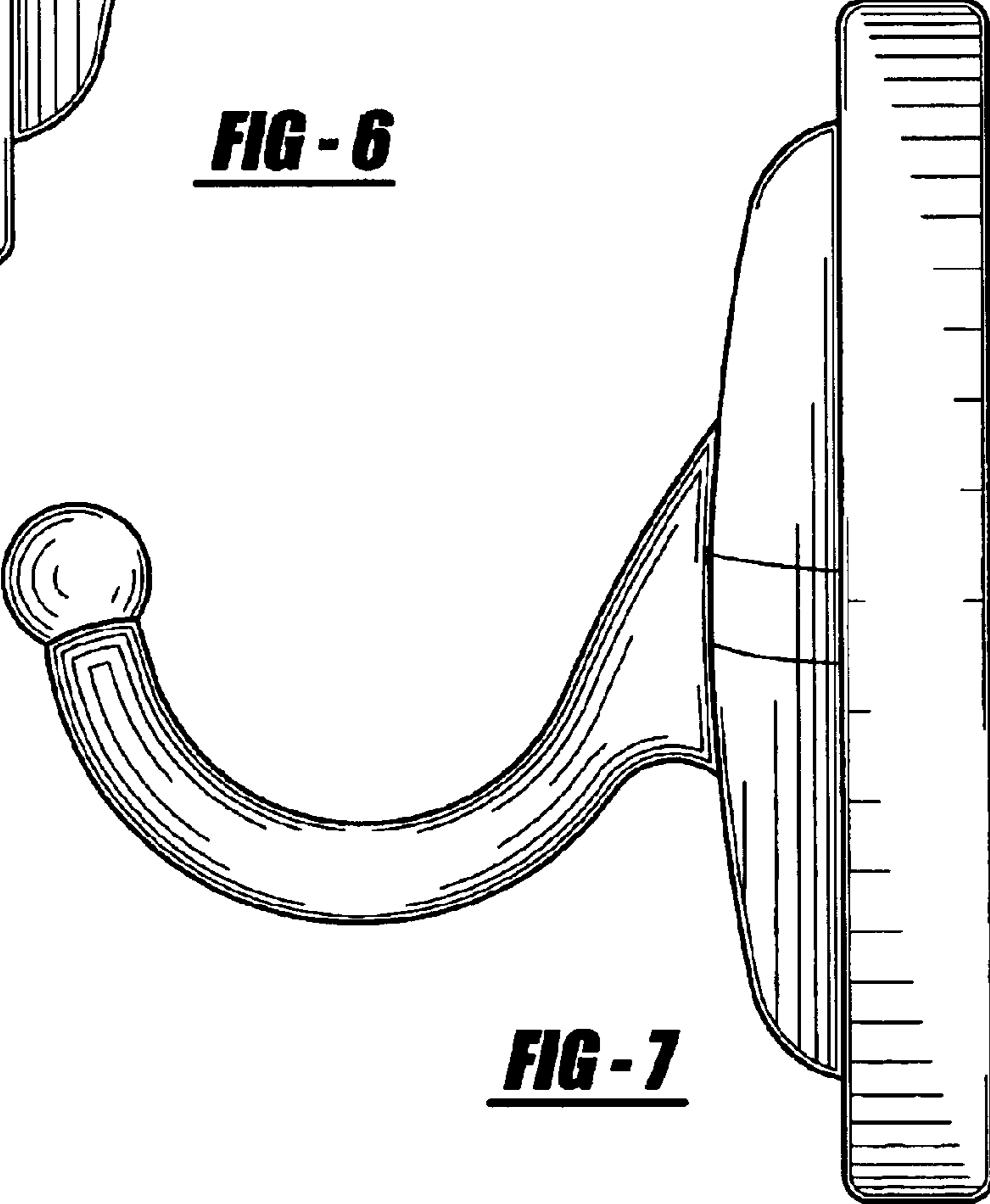


FIG - 7