

US00D496246S1

(12) **United States Design Patent**
Nguyen

(10) **Patent No.:** **US D496,246 S**
(45) **Date of Patent:** **** Sep. 21, 2004**

(54) **WINDOW LOCK HANDLE**

(75) Inventor: **Tam Nguyen**, Edmonton (CA)

(73) Assignee: **Acme Window Hardware Ltd.**,
Alberta (CA)

(**) Term: **14 Years**

(21) Appl. No.: **29/163,350**

(22) Filed: **Jul. 3, 2002**

(51) **LOC (7) Cl.** **08-07**

(52) **U.S. Cl.** **D8/338**

(58) **Field of Search** D8/330, 331, 336-338,
D8/343, 301, 302; 70/8-9, 137, 141, 192,
266, 431, DIG. 20; 292/96, 100, 101, 336.3,
195, 241, 137, 348, DIG. 30, DIG. 55

(56) **References Cited**

U.S. PATENT DOCUMENTS

2,613,525 A * 10/1952 Holmsten 70/89
4,674,777 A * 6/1987 Guelck 292/101
5,489,131 A * 2/1996 Blom 292/241

D391,141 S * 2/1998 Finkelstein et al. D8/331
5,927,771 A * 7/1999 Simon et al. 292/101
D415,011 S * 10/1999 Ng D8/302
D435,429 S * 12/2000 Barnett et al. D8/338

* cited by examiner

Primary Examiner—Prabhakar Deshmukh

(74) *Attorney, Agent, or Firm*—Sughrue Mion, PLLC

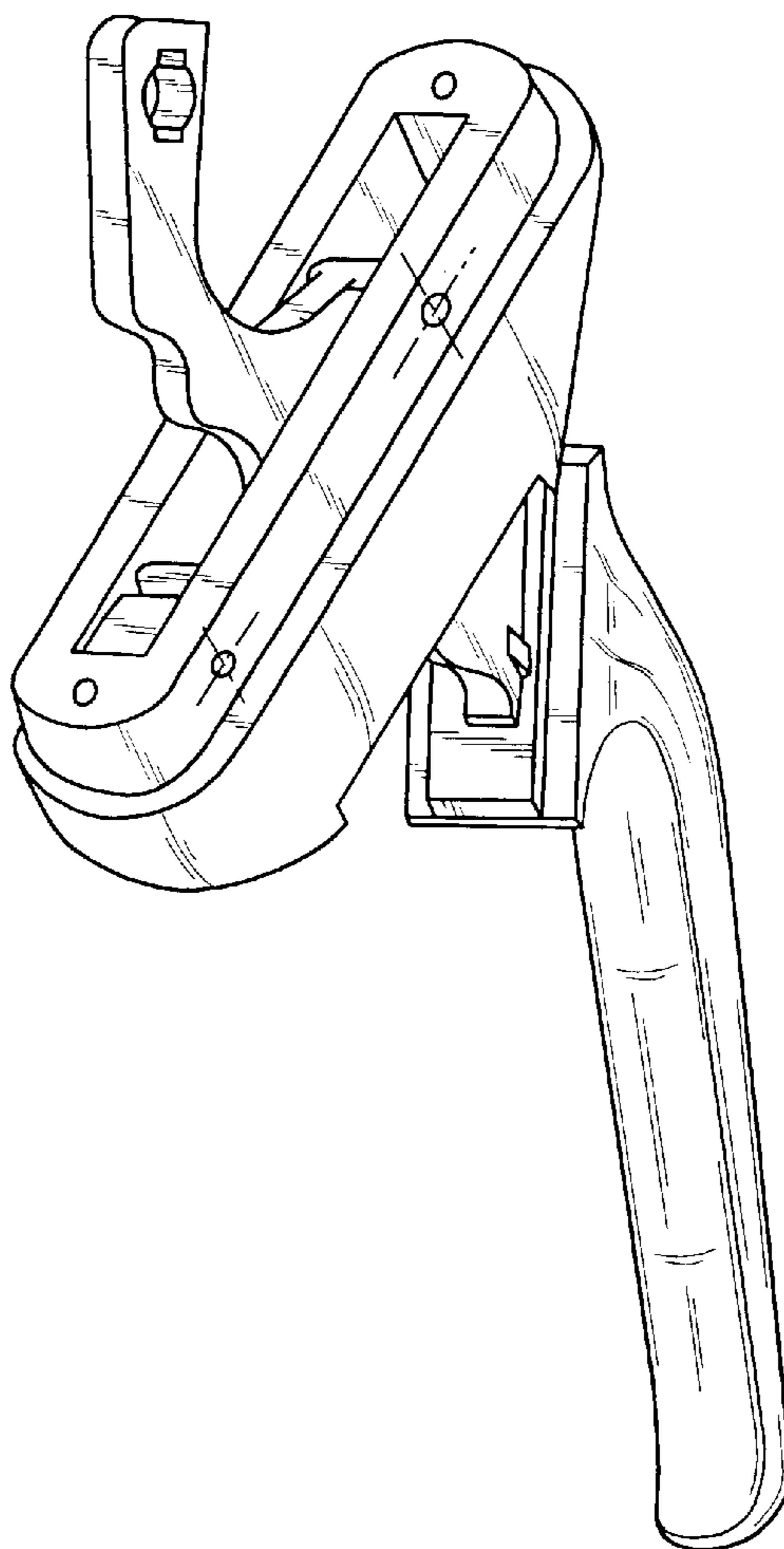
(57) **CLAIM**

The ornamental design for a window lock handle, as shown and described.

DESCRIPTION

FIG. 1 is a left side elevational view of a window lock handle showing my new design;
FIG. 2. is a right side elevational view thereof;
FIG. 3 is a top plan view thereof;
FIG. 4 is a bottom plan view thereof;
FIG. 5 is a front elevational view thereof;
FIG. 6 is a rear elevational view thereof; and,
FIG. 7 is an isometric view thereof.

1 Claim, 5 Drawing Sheets



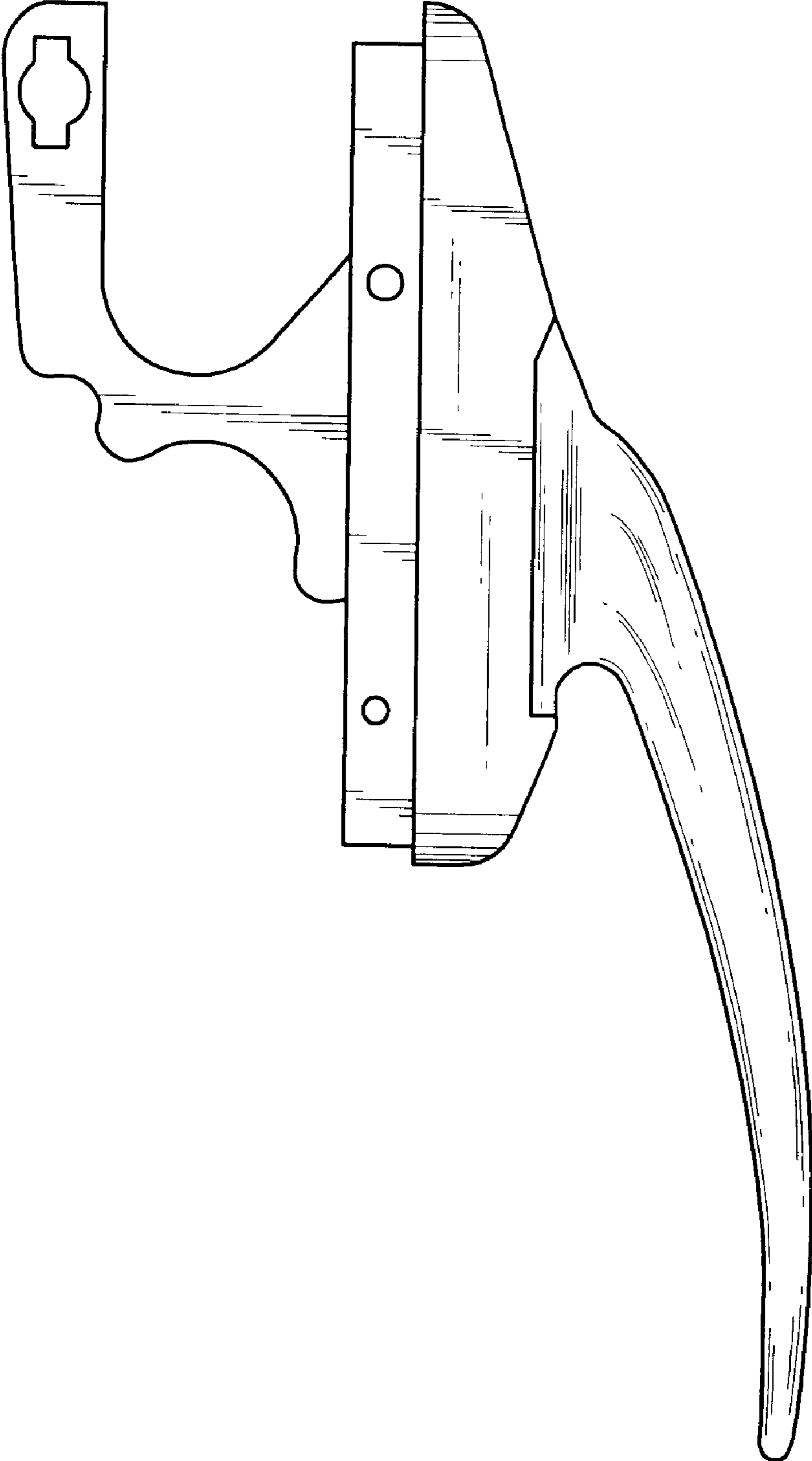


Fig. 1

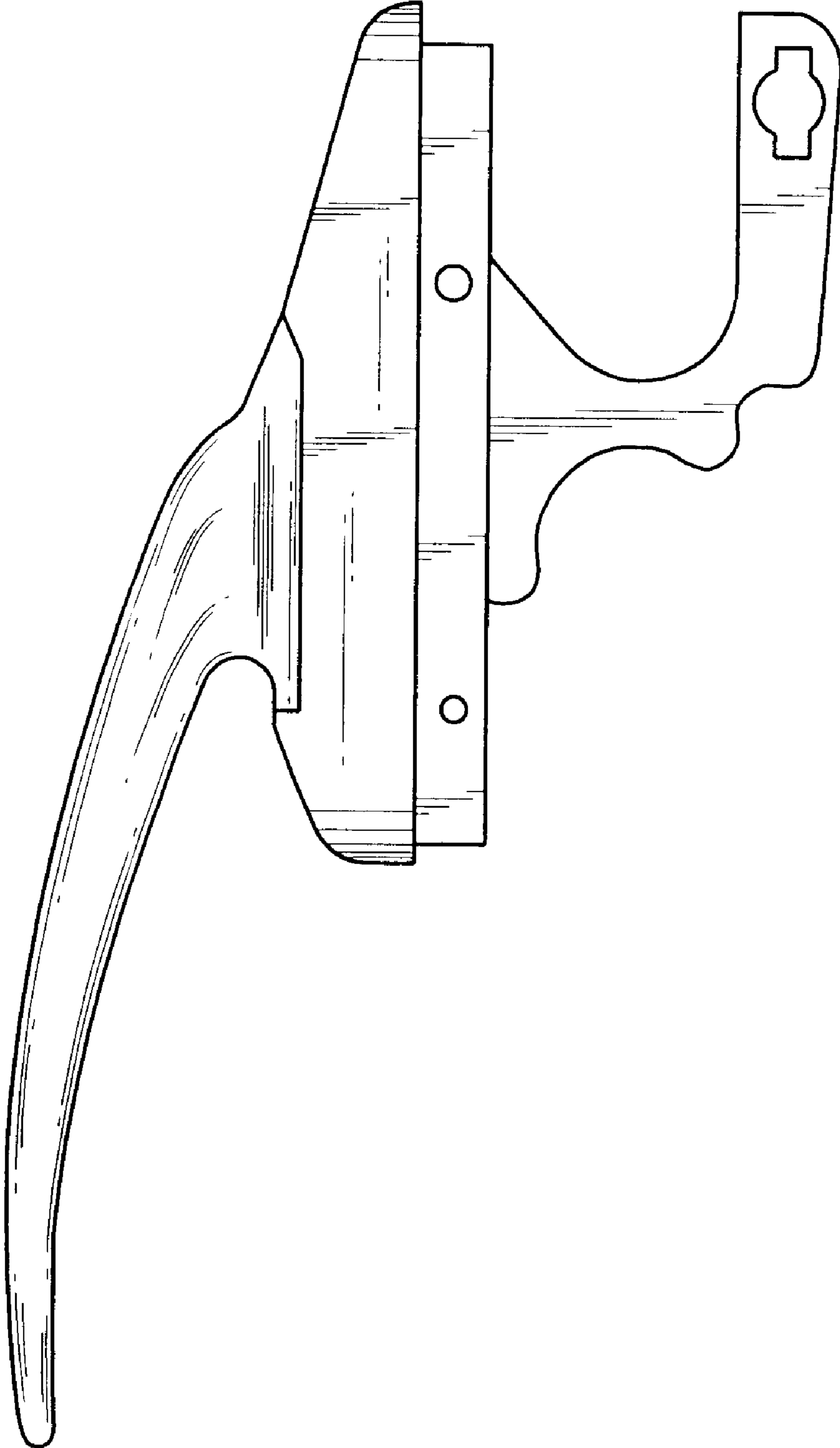


Fig. 2

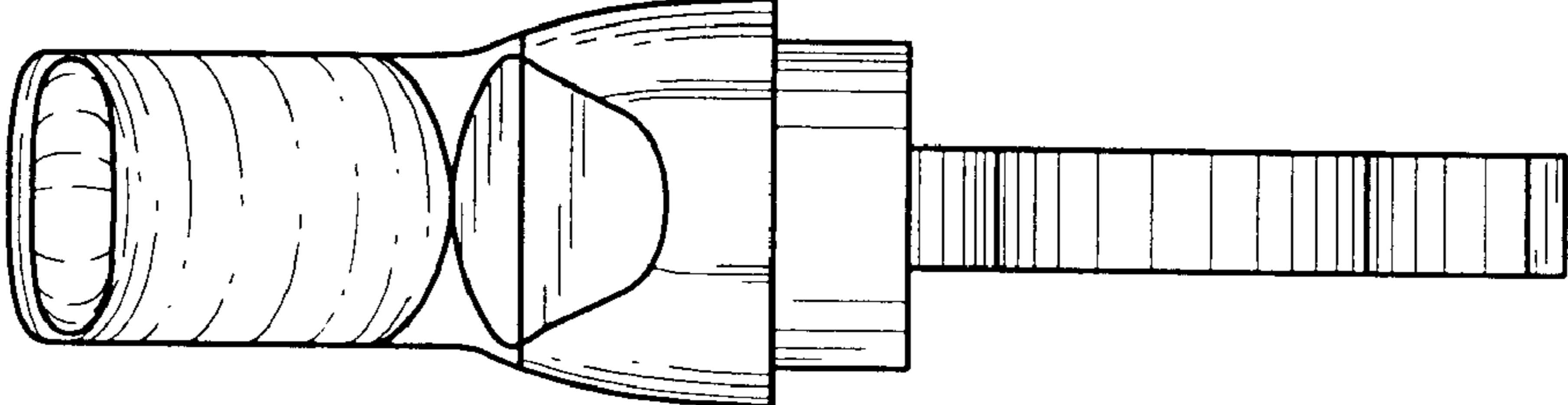


Fig. 4

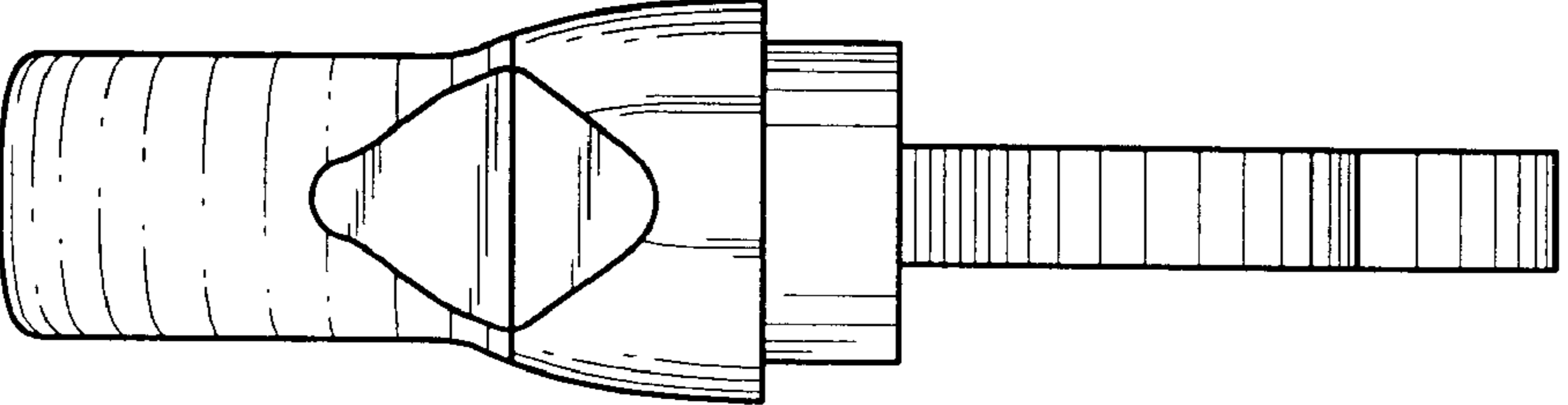


Fig. 3

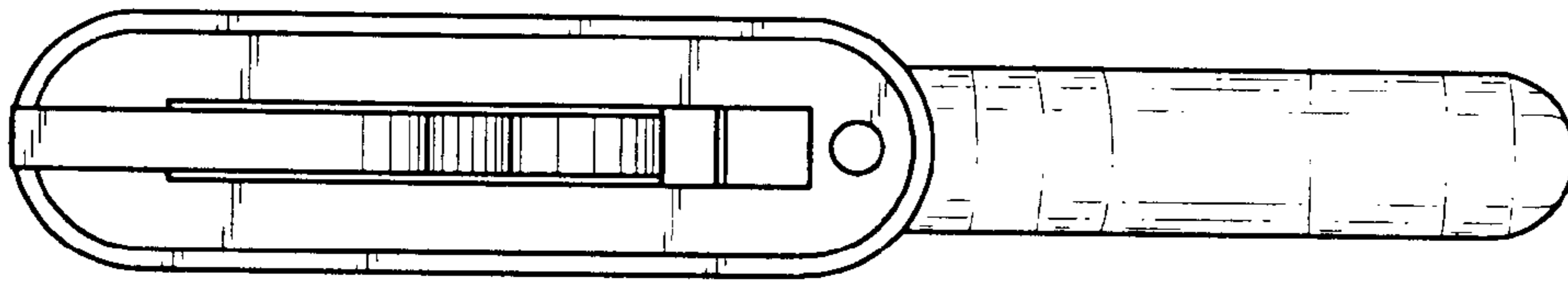


Fig. 6

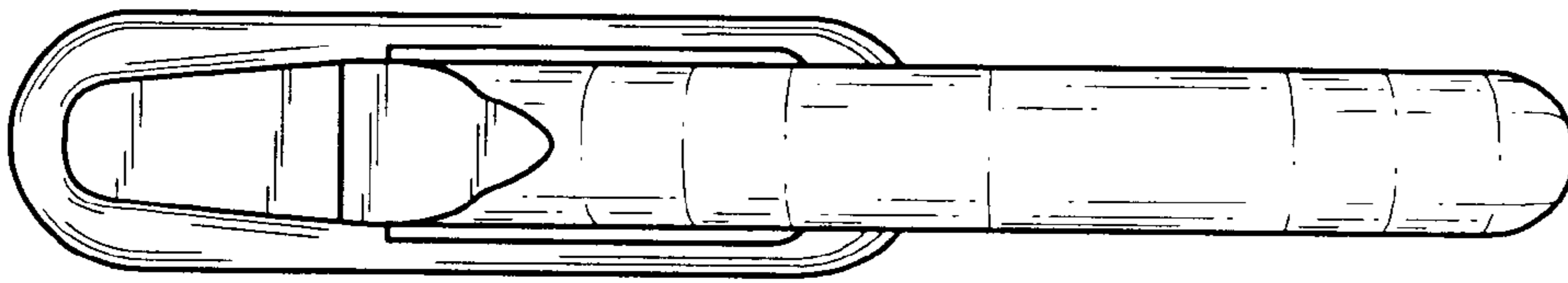


Fig. 5

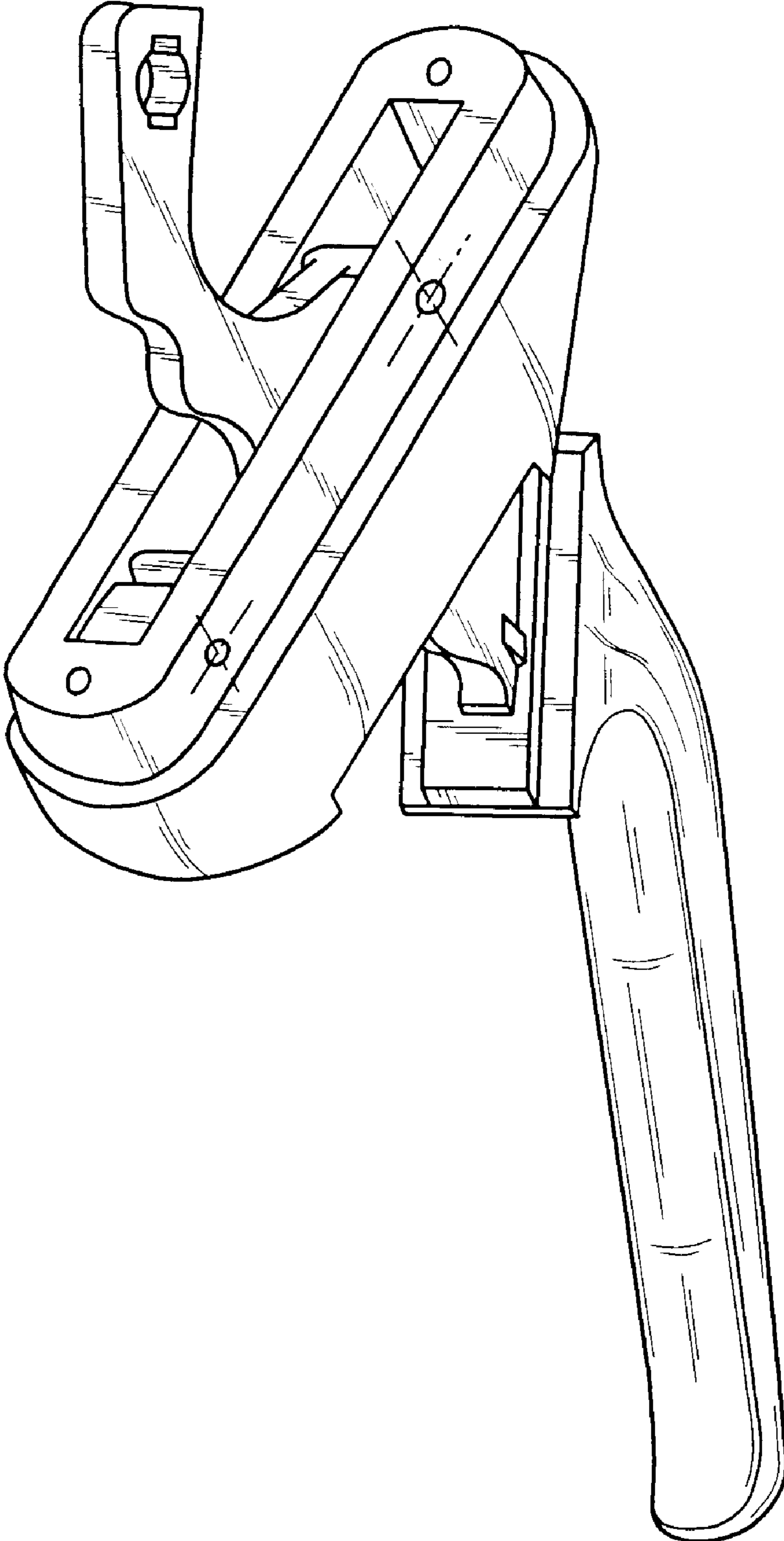


Fig. 7