

US00D496245S1

(12) **United States Design Patent**
Ebert

(10) **Patent No.:** **US D496,245 S**

(45) **Date of Patent:** **** Sep. 21, 2004**

(54) **LEVER HANDLE**

(75) **Inventor:** **David A. Ebert**, Schwenksville, PA
(US)

(73) **Assignee:** **Newfrey LLC**, Newark, DE (US)

(**) **Term:** **14 Years**

(21) **Appl. No.:** **29/188,385**

(22) **Filed:** **Aug. 18, 2003**

(51) **LOC (7) Cl.** **08-06**

(52) **U.S. Cl.** **D8/308**

(58) **Field of Search** D8/300, 82, 307-308;
D23/250, 252, 254; D19/57; 81/489

(56) **References Cited**

U.S. PATENT DOCUMENTS

D142,267 S	*	8/1945	Walraven	D8/82
3,093,172 A	*	6/1963	Reed	81/489
D285,106 S	*	8/1986	Yost	D23/252
D290,578 S	*	6/1987	Belaiche et al.	D8/308
D372,736 S	*	8/1996	Stabler	D19/57

D390,087 S	*	2/1998	Ebbersten	D8/308
D402,003 S	*	12/1998	Milrud et al.	D23/250
D439,954 S	*	4/2001	Spangler	D23/250
D471,964 S	*	3/2003	Bates et al.	D23/252

* cited by examiner

Primary Examiner—Paula A. Greene

(74) *Attorney, Agent, or Firm*—Richard J. Veltman; John D. Del Ponti

(57) **CLAIM**

The ornamental design for a lever handle, as shown and described.

DESCRIPTION

FIG. 1 is a perspective view of a lever handle showing my new design;

FIG. 2 is a top plan view thereof;

FIG. 3 is a front elevational view thereof;

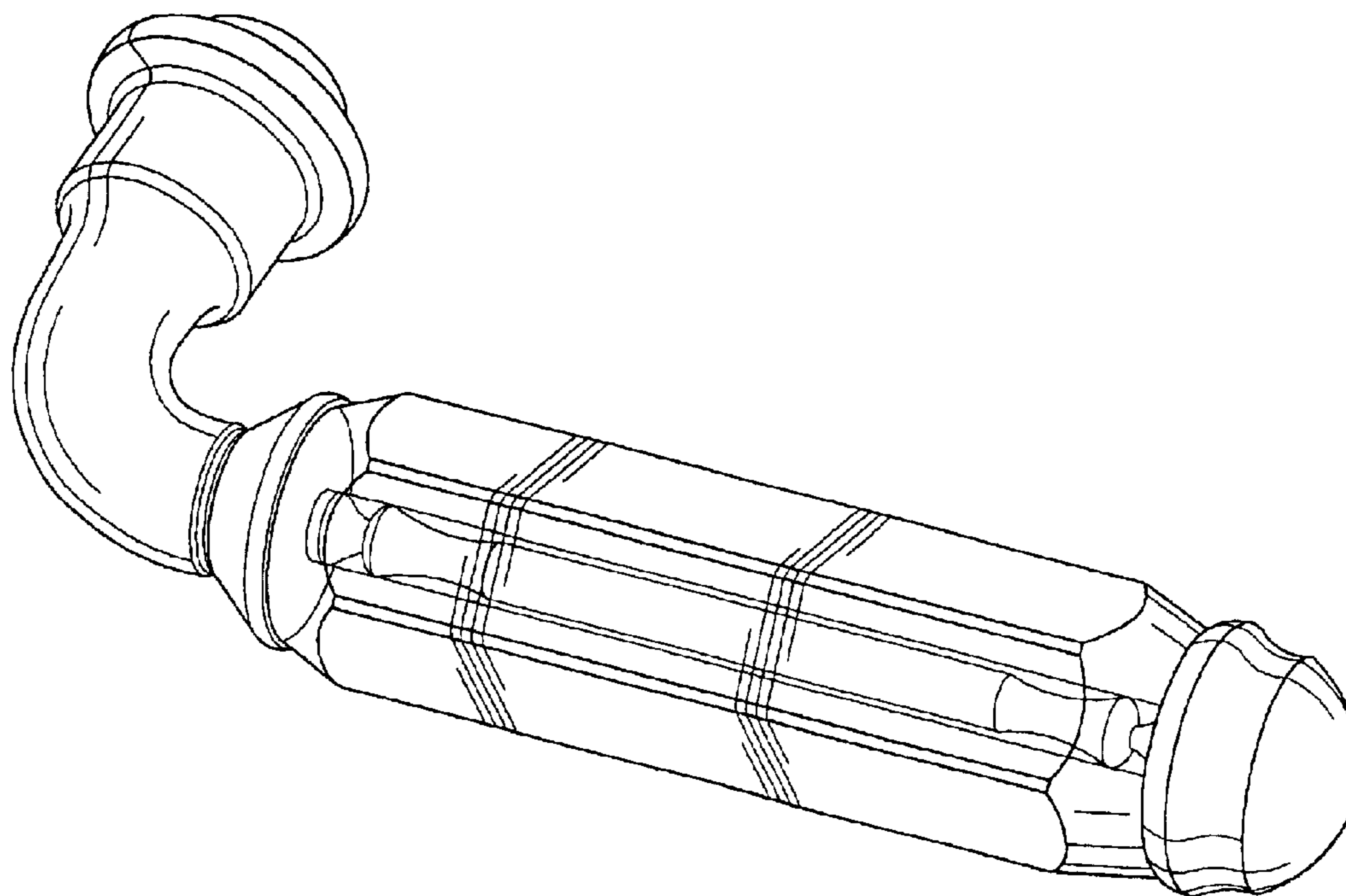
FIG. 4 is a rear view thereof;

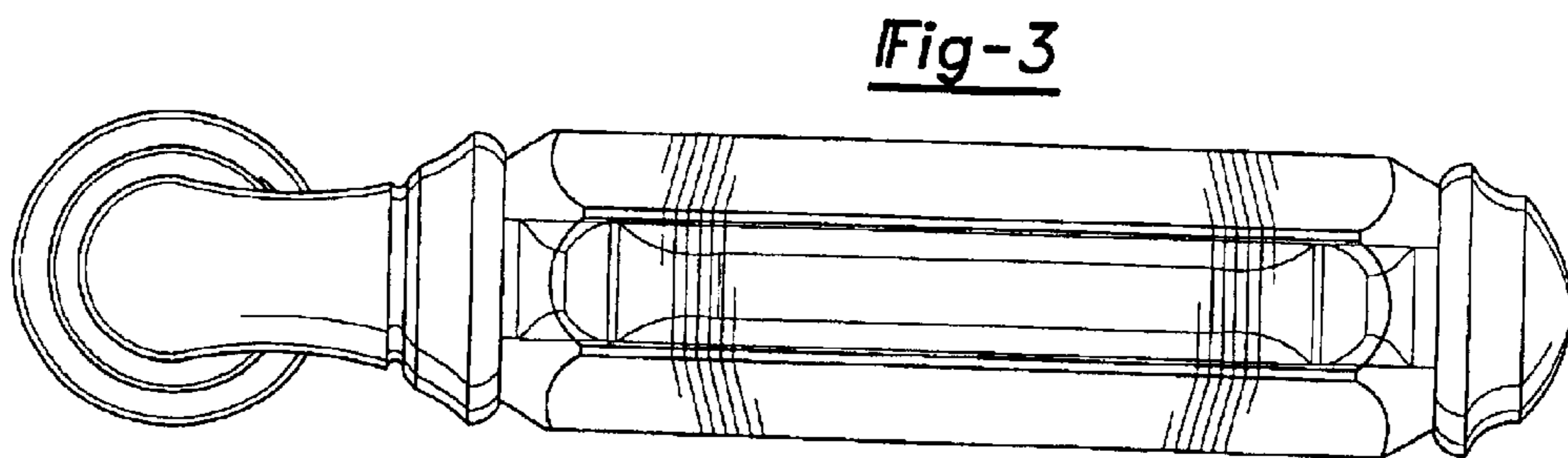
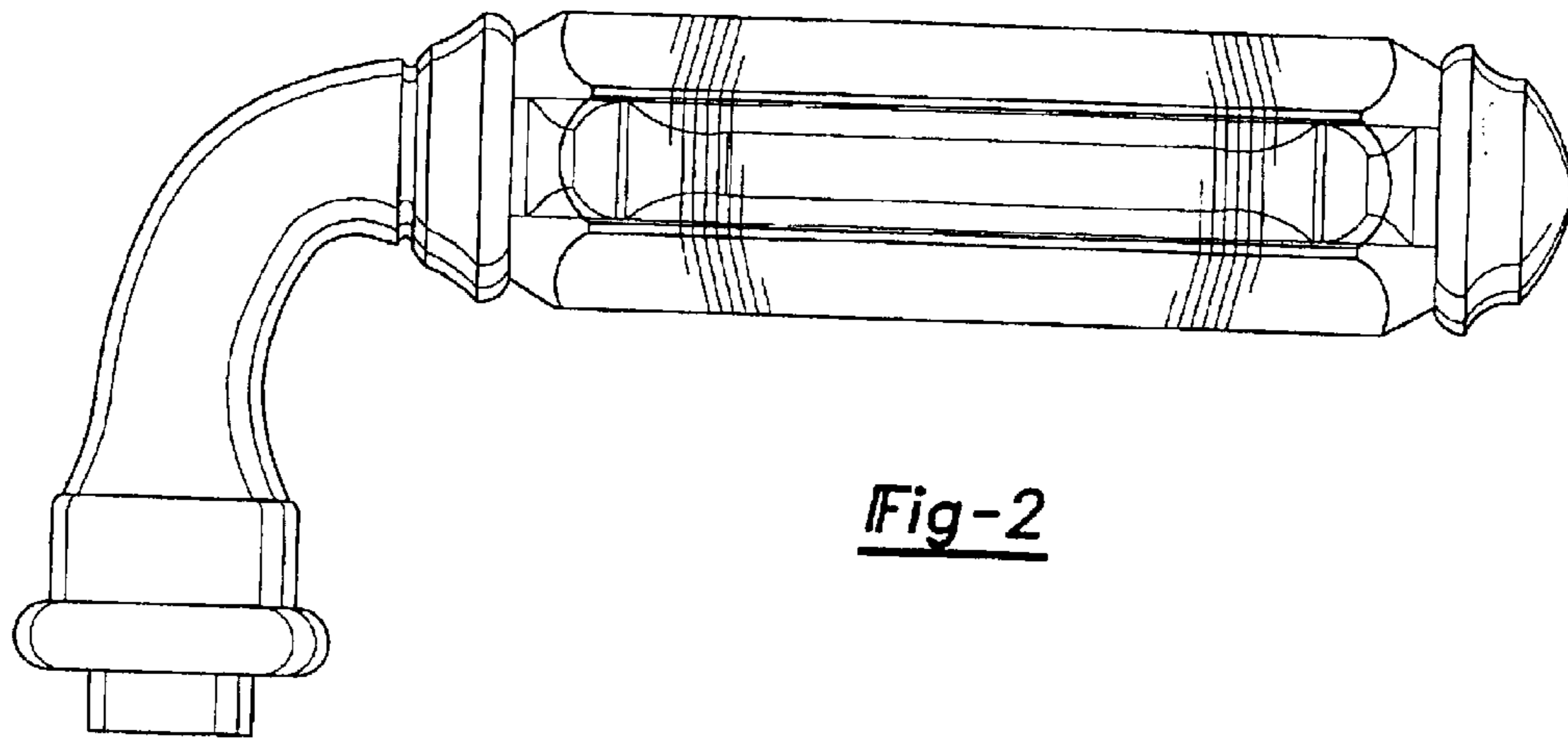
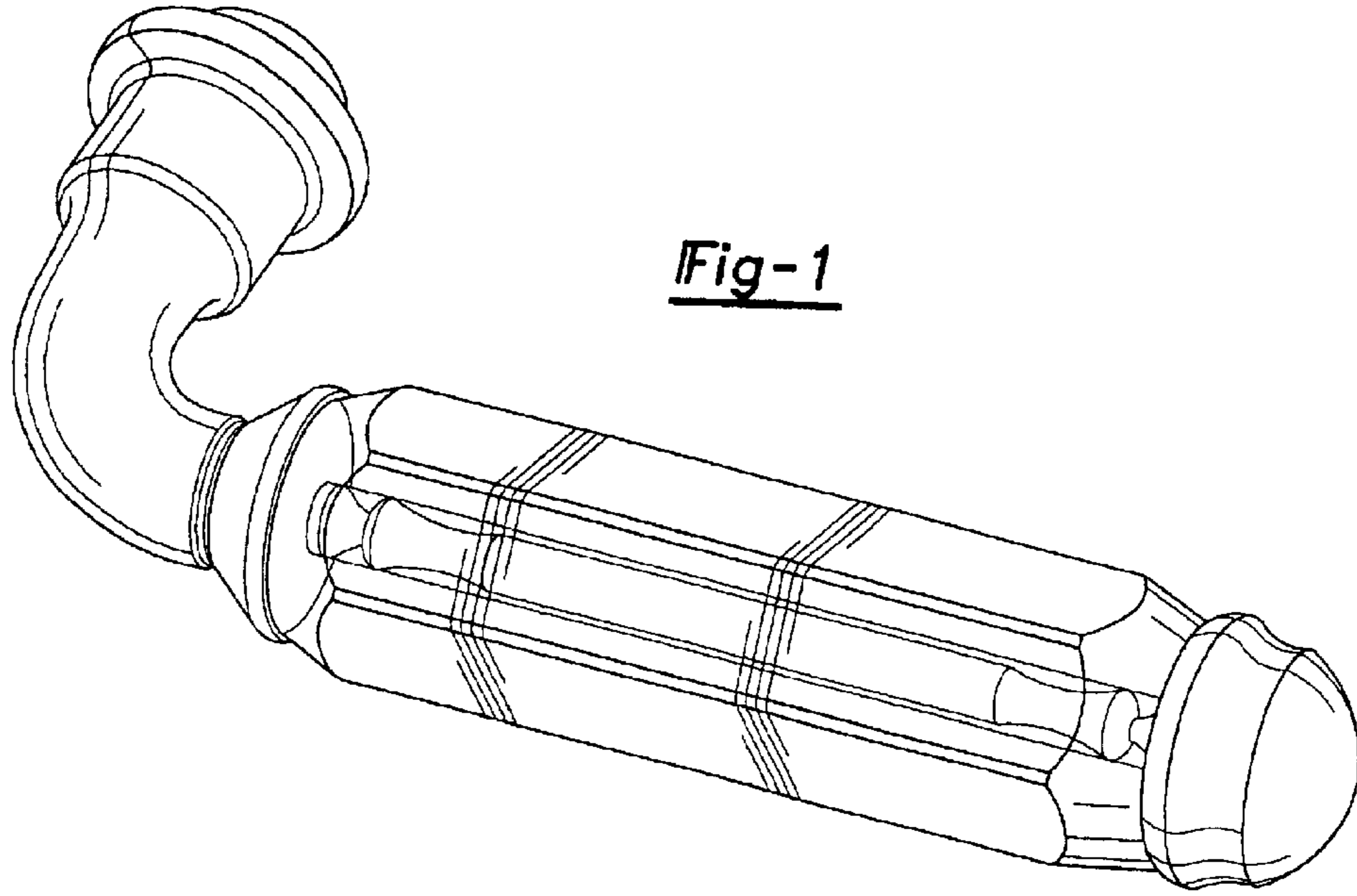
FIG. 5 is a right end view thereof;

FIG. 6 is a left end view thereof; and,

FIG. 7 is a bottom plan view thereof.

1 Claim, 2 Drawing Sheets





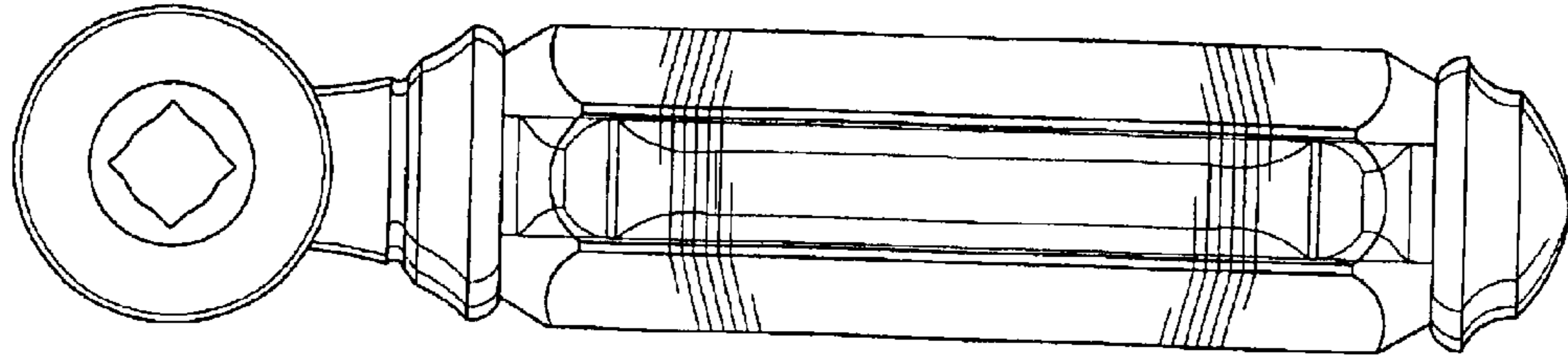


Fig-4

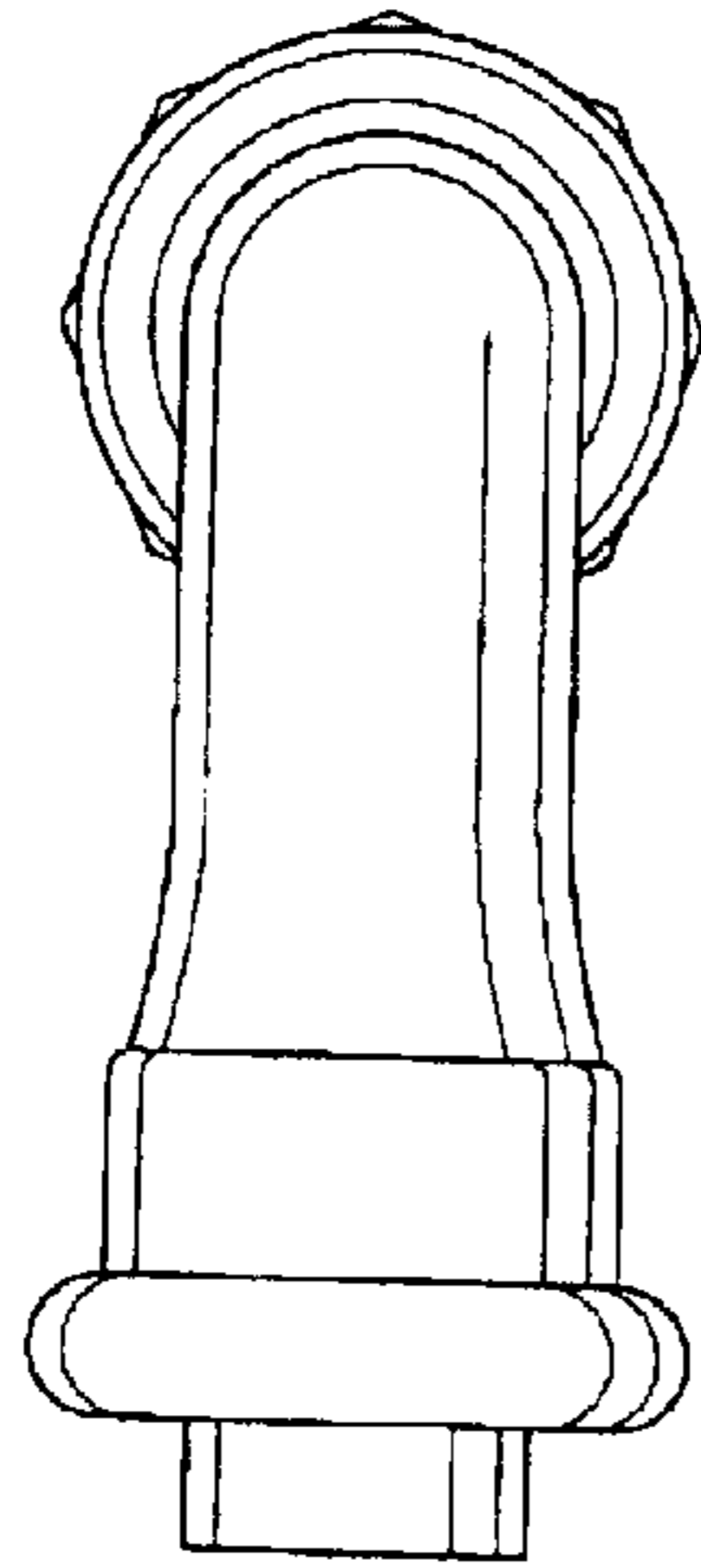


Fig-5

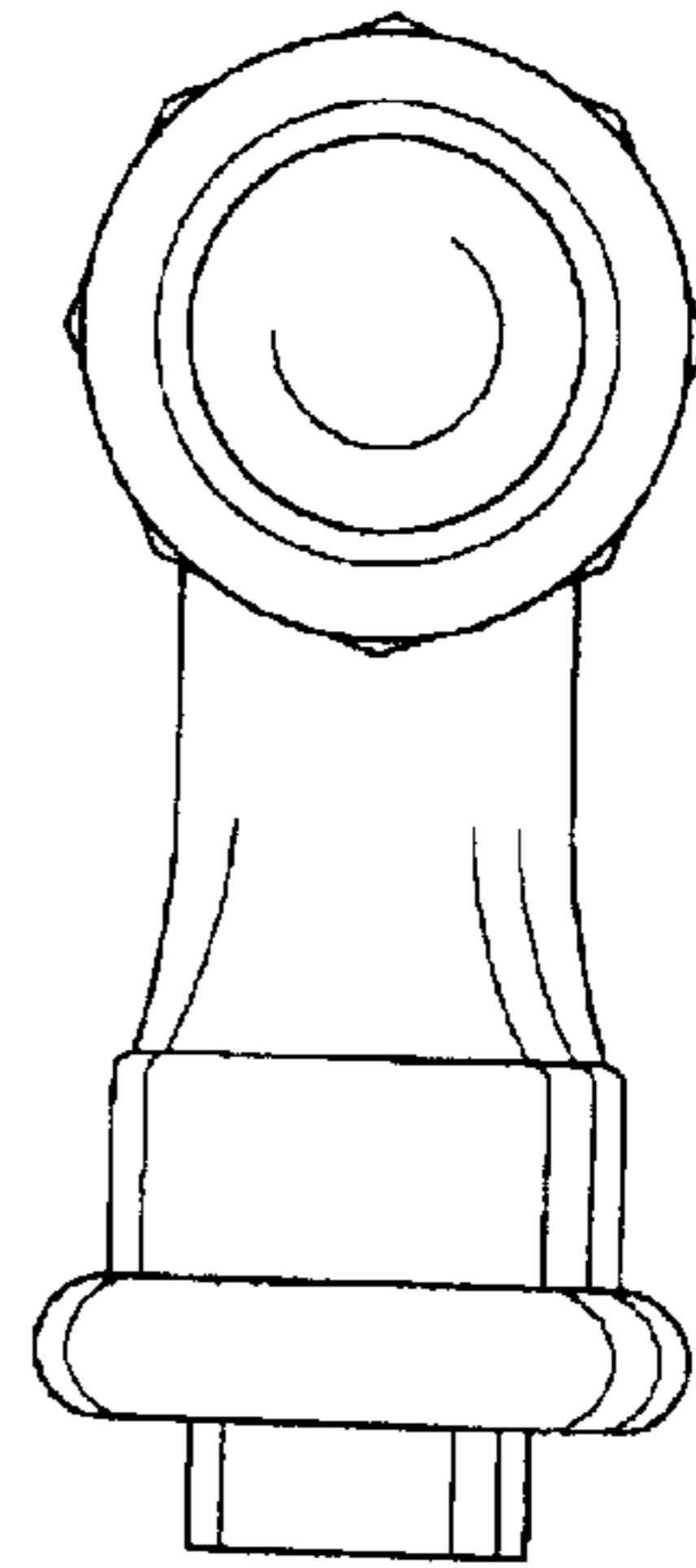


Fig-6

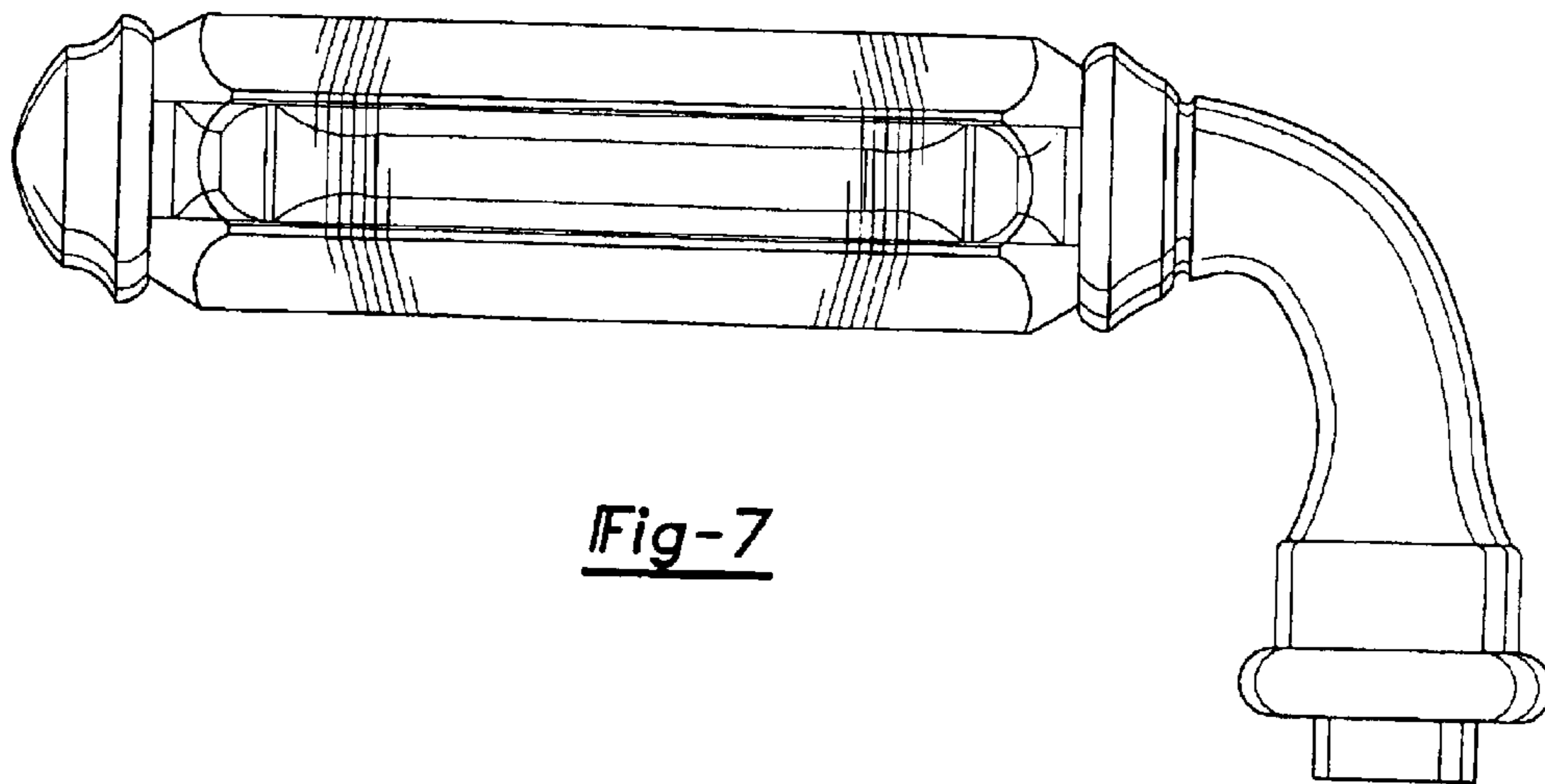


Fig-7