

US00D496243S1

(12) **United States Design Patent**
Huang

(10) **Patent No.: US D496,243 S**

(45) **Date of Patent: ** Sep. 21, 2004**

(54) **PNEUMATIC IMPACT WRENCH**

(76) **Inventor: Yung-Chao Huang**, 20F, No. 29, Sec. 2, Chungcheng E. Rd., Tamshui Chen, Taipei Hsien (TW)

(**) **Term: 14 Years**

(21) **Appl. No.: 29/196,160**

(22) **Filed: Dec. 23, 2003**

(51) **LOC (7) Cl. 08-05**

(52) **U.S. Cl. D8/68**

(58) **Field of Search** D8/14.1, 61, 62, D8/63, 64, 65, 66, 67, 68, 69, 70; 81/57.11, 429, 464, 465, 466, 469, 489; 173/13, 169, 178, 213, 217; 227/8, 114, 120, 130, 136, 142; 310/50; 408/20, 124, 125, 234, 241 R; 451/358

(56) **References Cited**

U.S. PATENT DOCUMENTS

D205,091 S	*	6/1966	Averitt	D8/68
3,352,368 A	*	11/1967	Maffey, Jr.	173/169
3,354,732 A	*	11/1967	Wickham	173/169
3,759,336 A	*	9/1973	Marcovitz et al.	408/20
D339,726 S	*	9/1993	Bruno et al.	D8/68
D388,678 S	*	1/1998	Bantly et al.	D8/68
D393,580 S	*	4/1998	Bantly et al.	D8/68
D403,564 S	*	1/1999	Izumisawa	D8/68
D434,297 S	*	11/2000	Iritani et al.	D8/68
D434,298 S	*	11/2000	Izumisawa	D8/68

D434,958 S	*	12/2000	Izumisawa	D8/68
D436,818 S	*	1/2001	Izumisawa	D8/68
D441,628 S	*	5/2001	Bass et al.	D8/68
6,338,389 B1	*	1/2002	Chang	173/169
D472,782 S	*	4/2003	Pusateri et al.	D8/68
D476,210 S	*	6/2003	Chen	D8/68
D477,512 S	*	7/2003	Liu et al.	D8/68
D477,761 S	*	7/2003	Liu et al.	D8/68
D477,977 S	*	8/2003	Liu	D8/68
D482,947 S	*	12/2003	Lin	D8/68
2002/0152848 A1	*	10/2002	Johnson	81/465

* cited by examiner

Primary Examiner—James Gandy

Assistant Examiner—T. Chase Nelson

(74) *Attorney, Agent, or Firm*—Alan D. Kamrath; Nikolai & Mersereau, P.A.

(57) **CLAIM**

The ornamental design for a pneumatic impact wrench, as shown.

DESCRIPTION

FIG. 1 is a perspective view of a pneumatic impact wrench, showing my new design;

FIG. 2 is a front elevational view thereof;

FIG. 3 is a rear elevational view thereof;

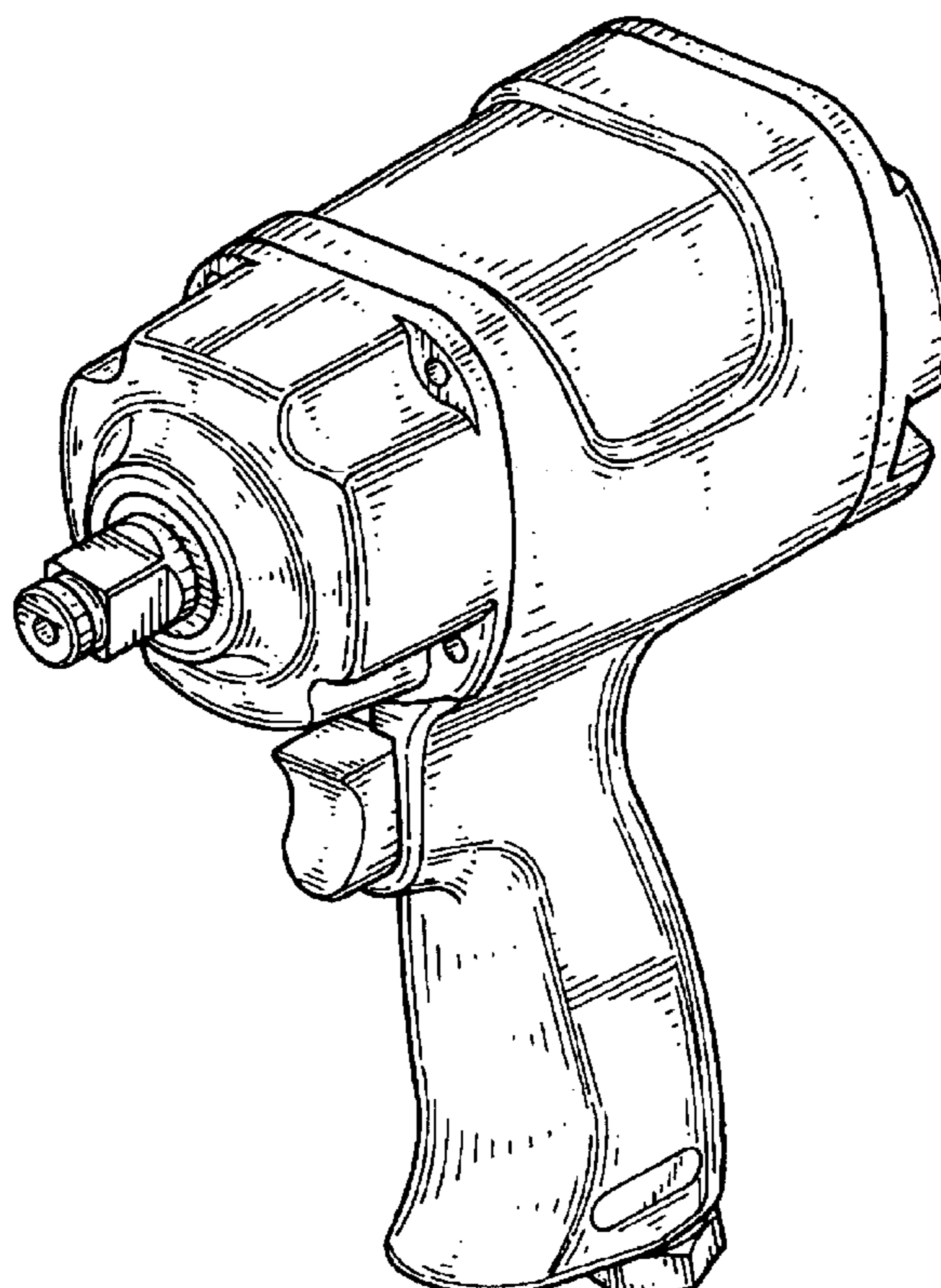
FIG. 4 is a left side elevational view thereof;

FIG. 5 is a right side elevational view thereof;

FIG. 6 is a top plan view thereof; and,

FIG. 7 is a bottom plan view thereof.

1 Claim, 6 Drawing Sheets



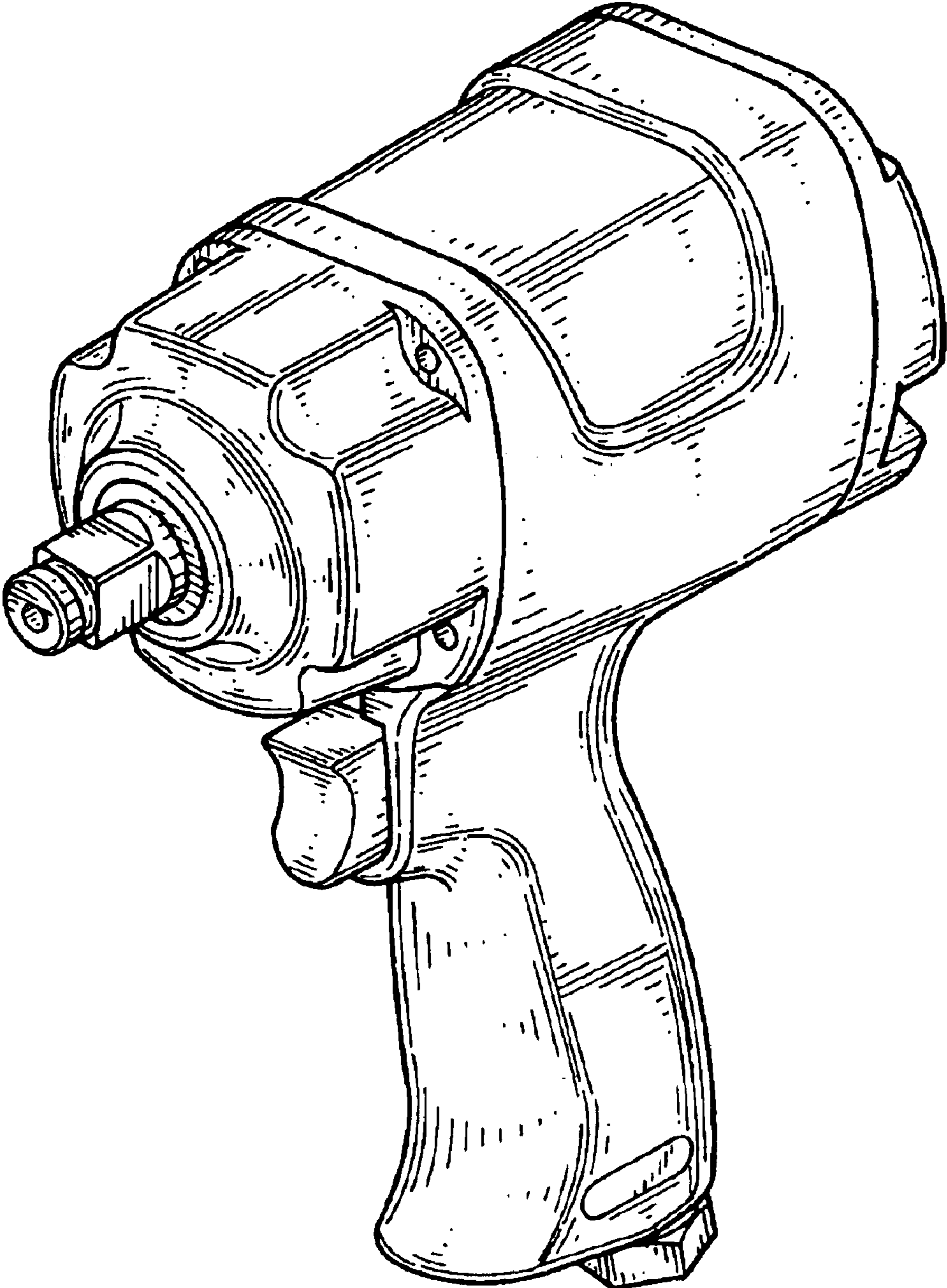


FIG. 1

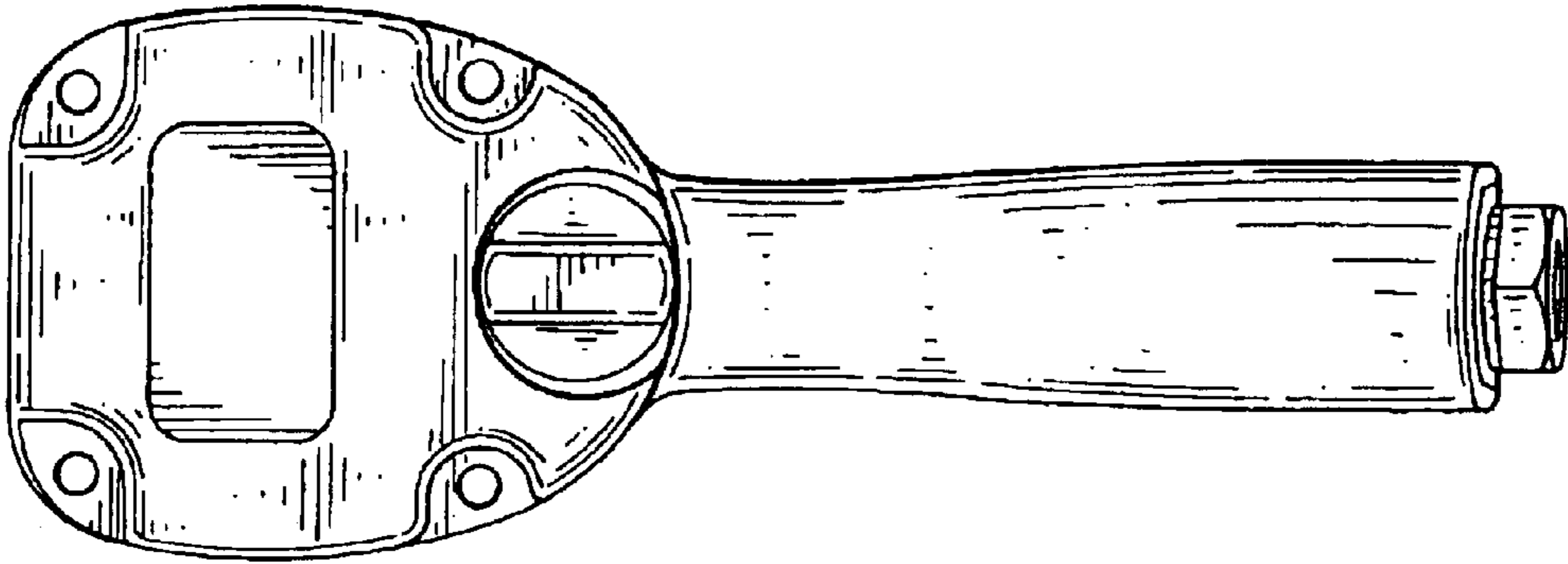


FIG.3

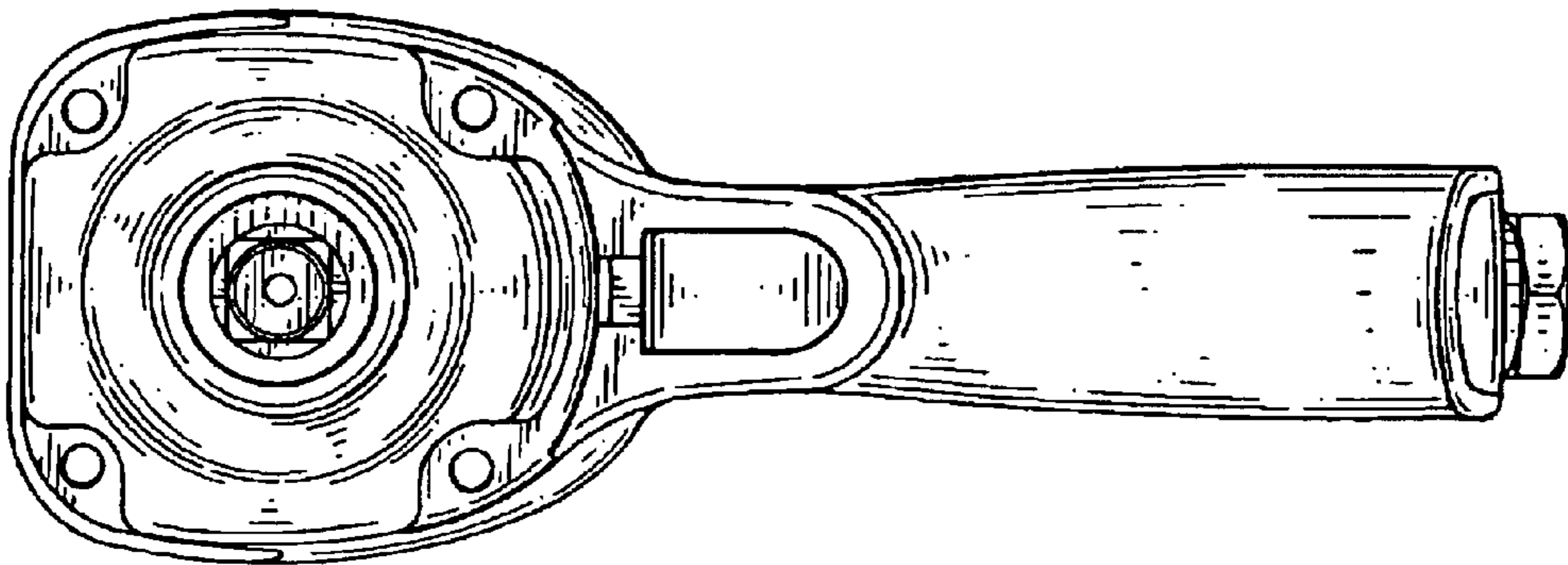


FIG.2

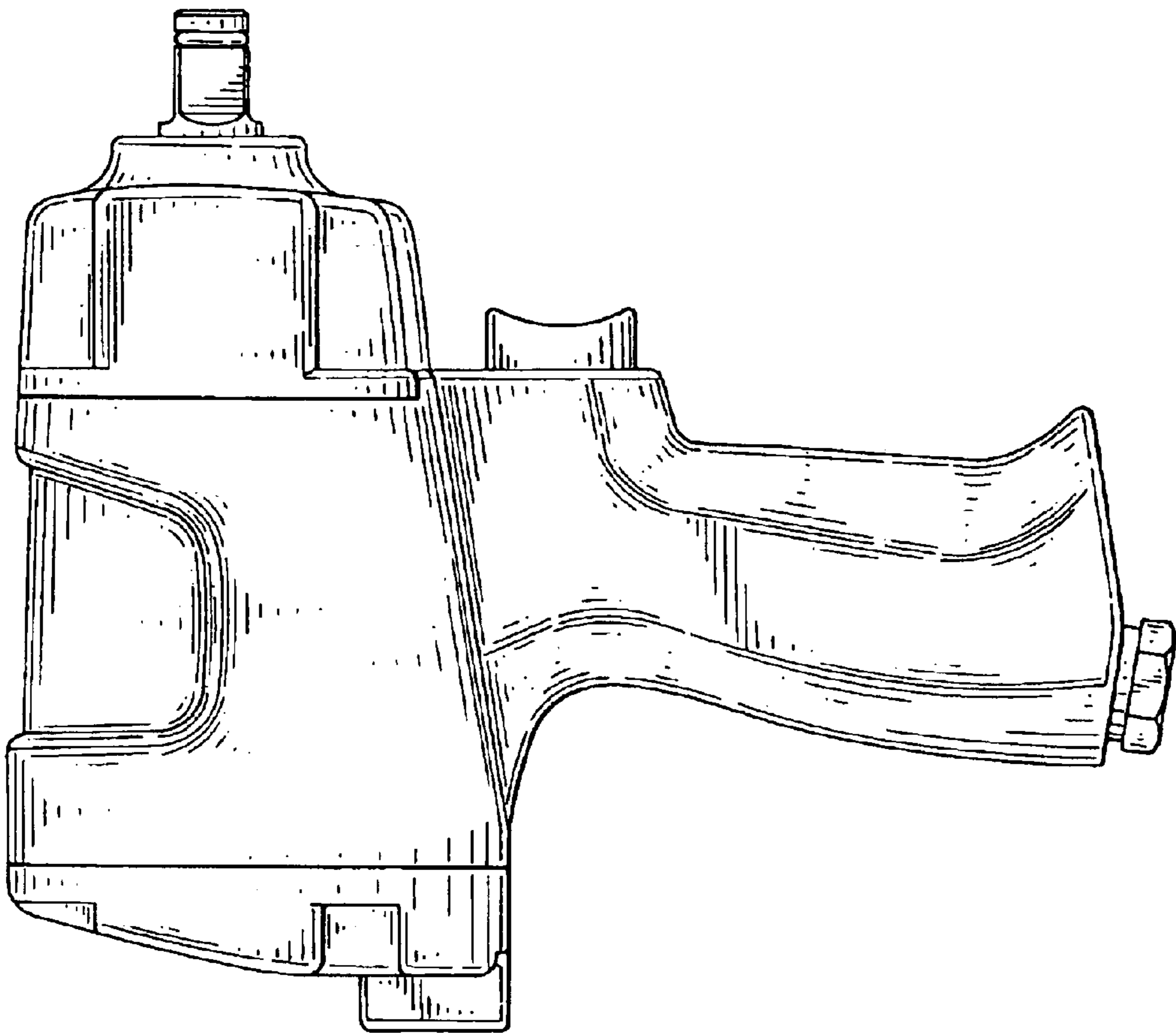


FIG.4

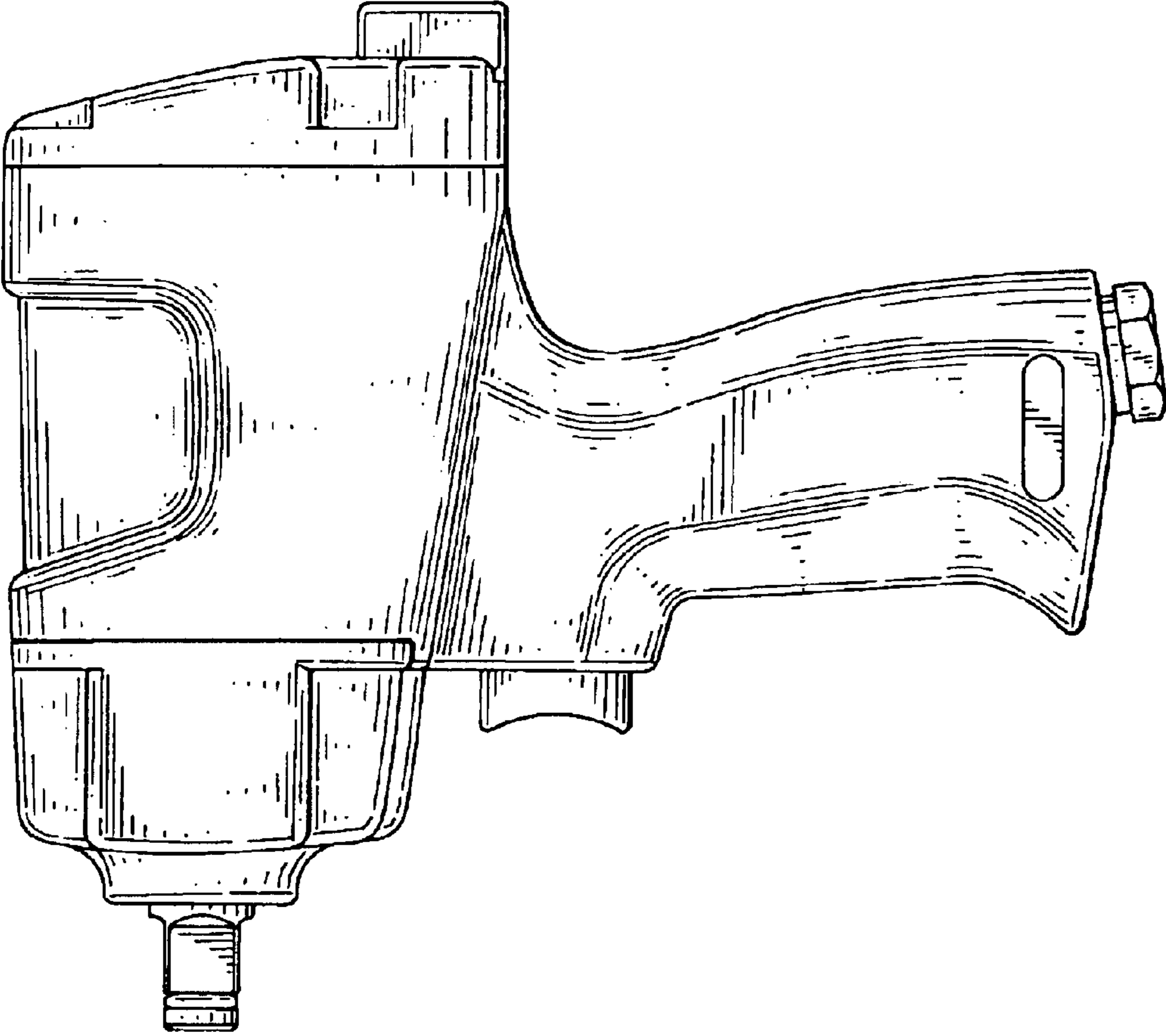


FIG.5

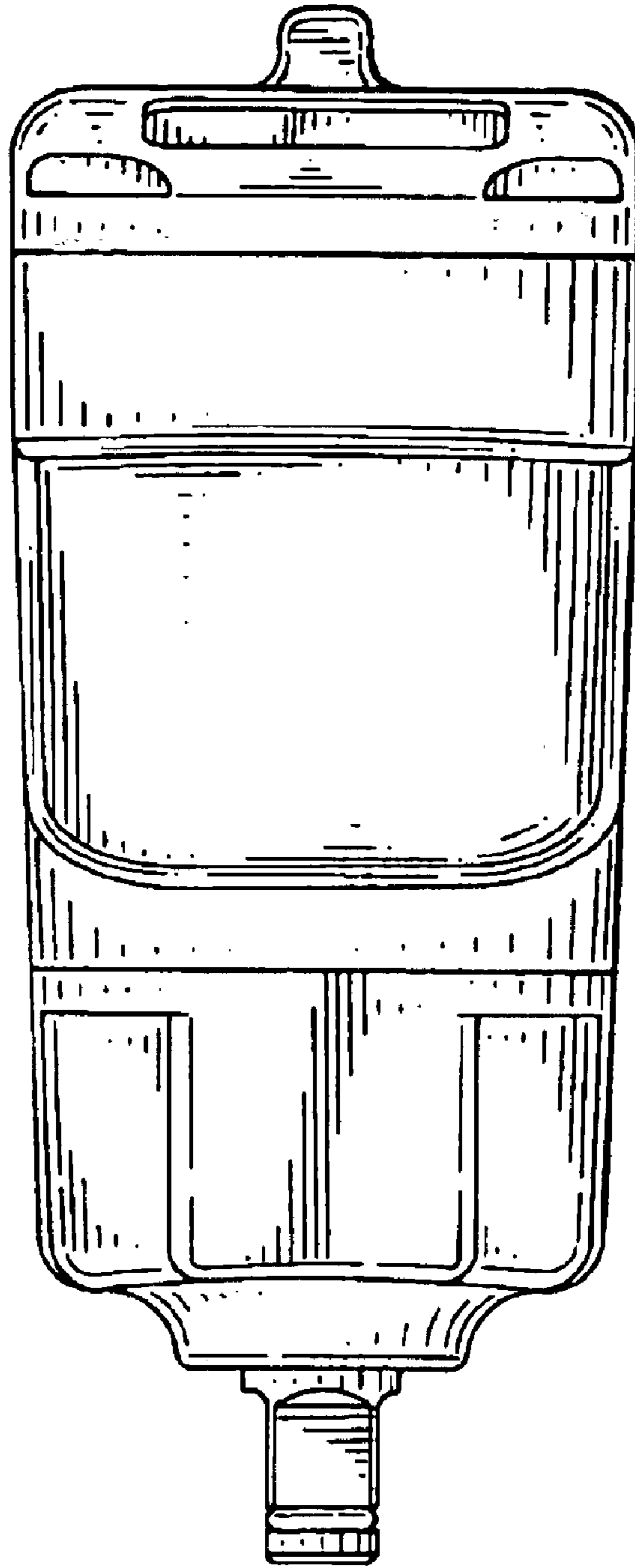


FIG. 6

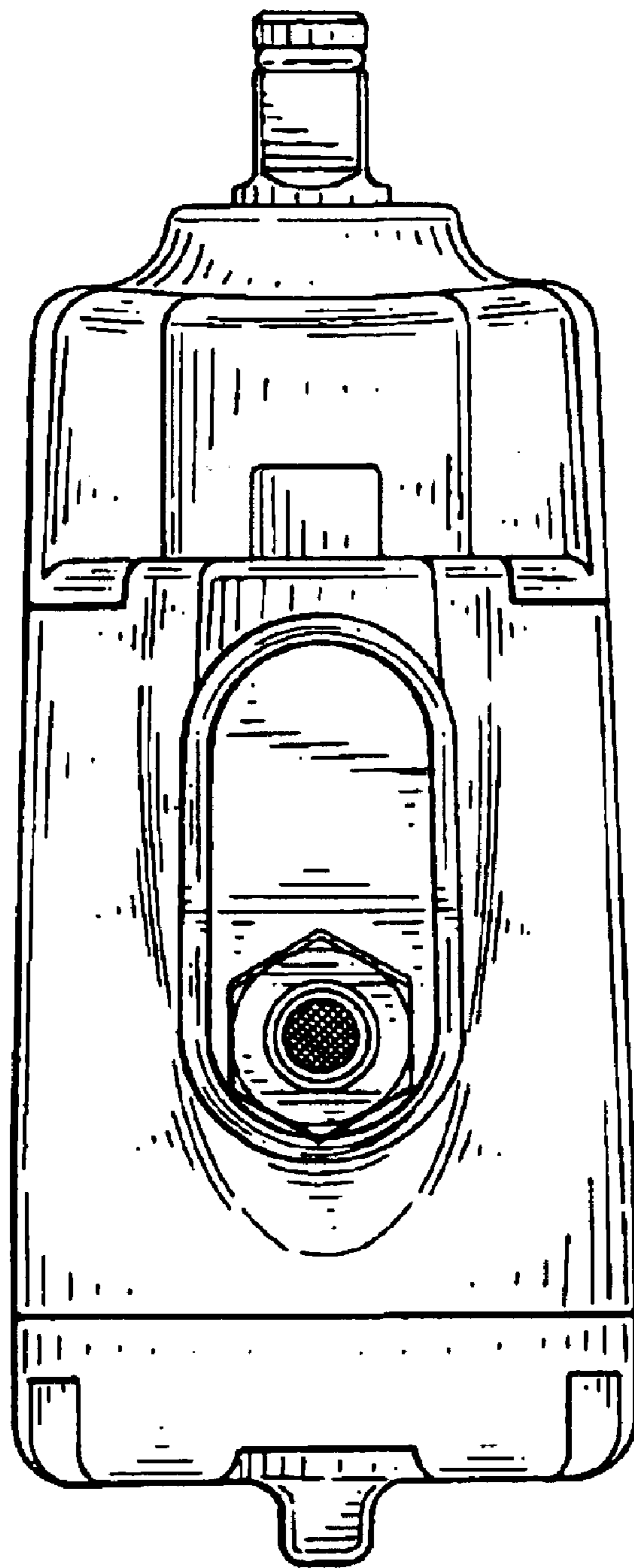


FIG. 7