



US00D496241S1

(12) **United States Design Patent**  
**Yu**

(10) **Patent No.:** **US D496,241 S**  
(45) **Date of Patent:** **\*\* Sep. 21, 2004**

(54) **ALLOYED CORKSCREW WITH STAND**

D481,599 S \* 11/2003 Yu ..... D8/39

(75) **Inventor:** **Kwok Leung Yu, Kwai Chung (HK)**

\* cited by examiner

(73) **Assignee:** **Ko Fung Products Industrial Limited,**  
**New Territories (HK)**

*Primary Examiner*—Caron D. Veynar  
(74) *Attorney, Agent, or Firm*—Rabin & Berdo, P.C.

(\*\*) **Term:** **14 Years**

(57) **CLAIM**

(21) **Appl. No.:** **29/193,125**

The ornamental design for an alloyed corkscrew with stand,  
as shown and described.

(22) **Filed:** **Nov. 5, 2003**

**DESCRIPTION**

(51) **LOC (7) Cl.** ..... **07-99**

FIG. 1 is a front view of an alloyed corkscrew with stand  
showing my new design;

(52) **U.S. Cl.** ..... **D8/39**

FIG. 2 is a rear view thereof;

(58) **Field of Search** ..... D8/33-43; 7/151-156;  
81/3.07-3.49; 30/400-450

FIG. 3 is a left side view thereof;

FIG. 4 is a right side view thereof;

FIG. 5 is a bottom view thereof;

FIG. 6 is a top view thereof;

FIG. 7 is a perspective view thereof; and,

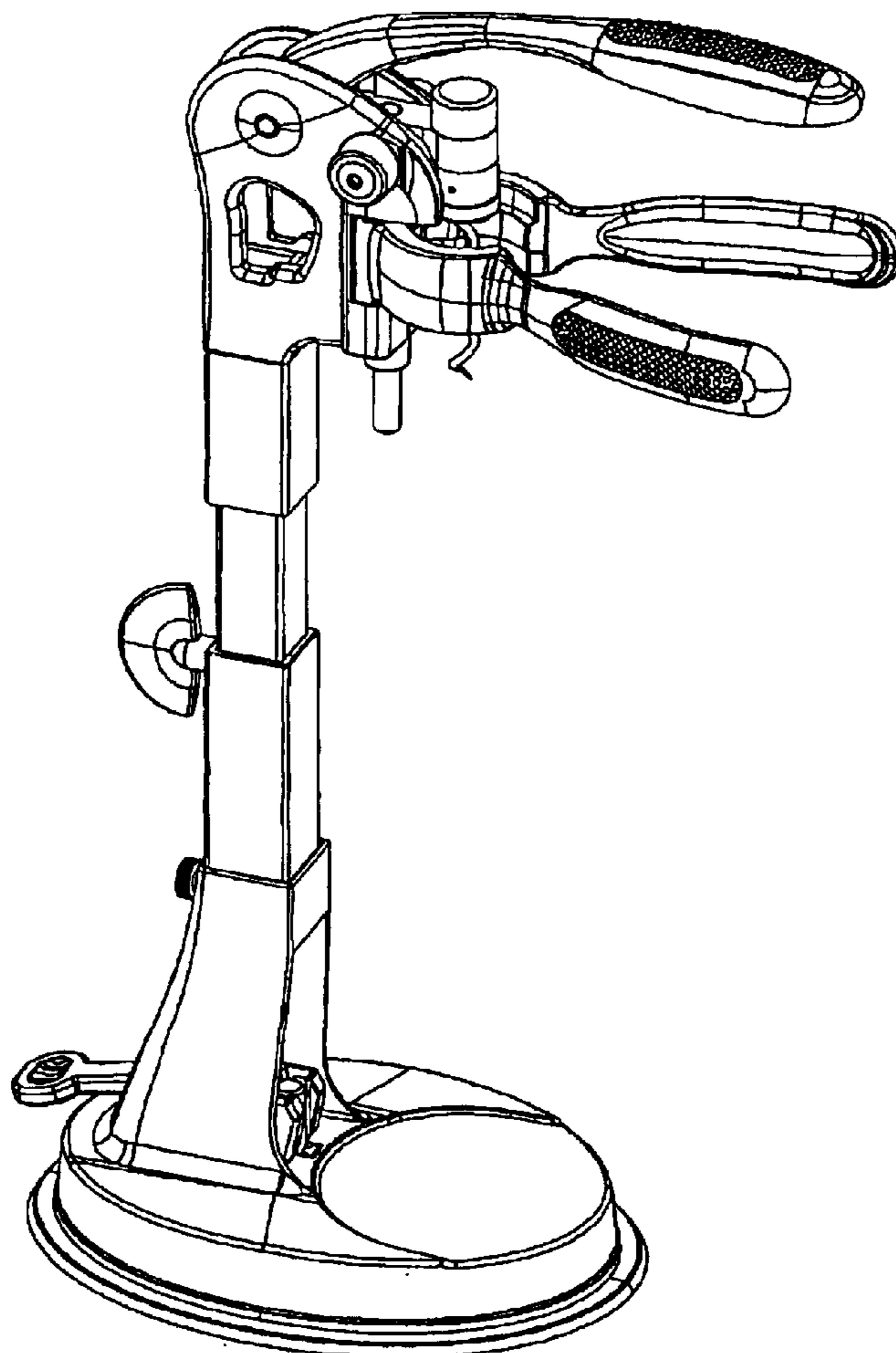
FIG. 8 is a front perspective view showing the corkscrew  
separated from the stand.

(56) **References Cited**

**U.S. PATENT DOCUMENTS**

D295,944 S	*	5/1988	Cooper	.....	D8/33
D442,043 S	*	5/2001	Kao	.....	D8/39
D468,602 S	*	1/2003	Yu	.....	D8/39
D477,973 S	*	8/2003	Yu	.....	D8/39

**1 Claim, 7 Drawing Sheets**



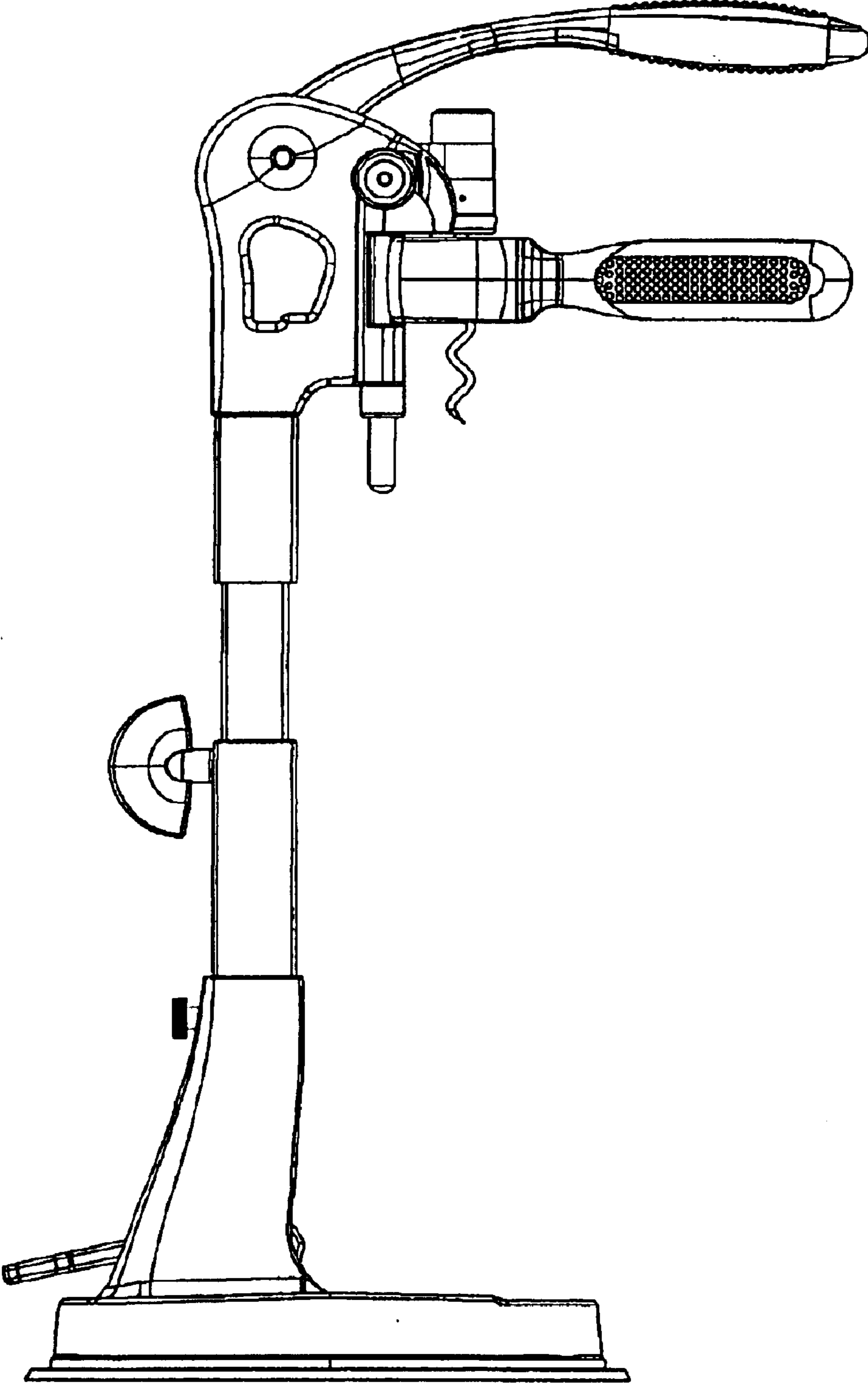


FIG. 1

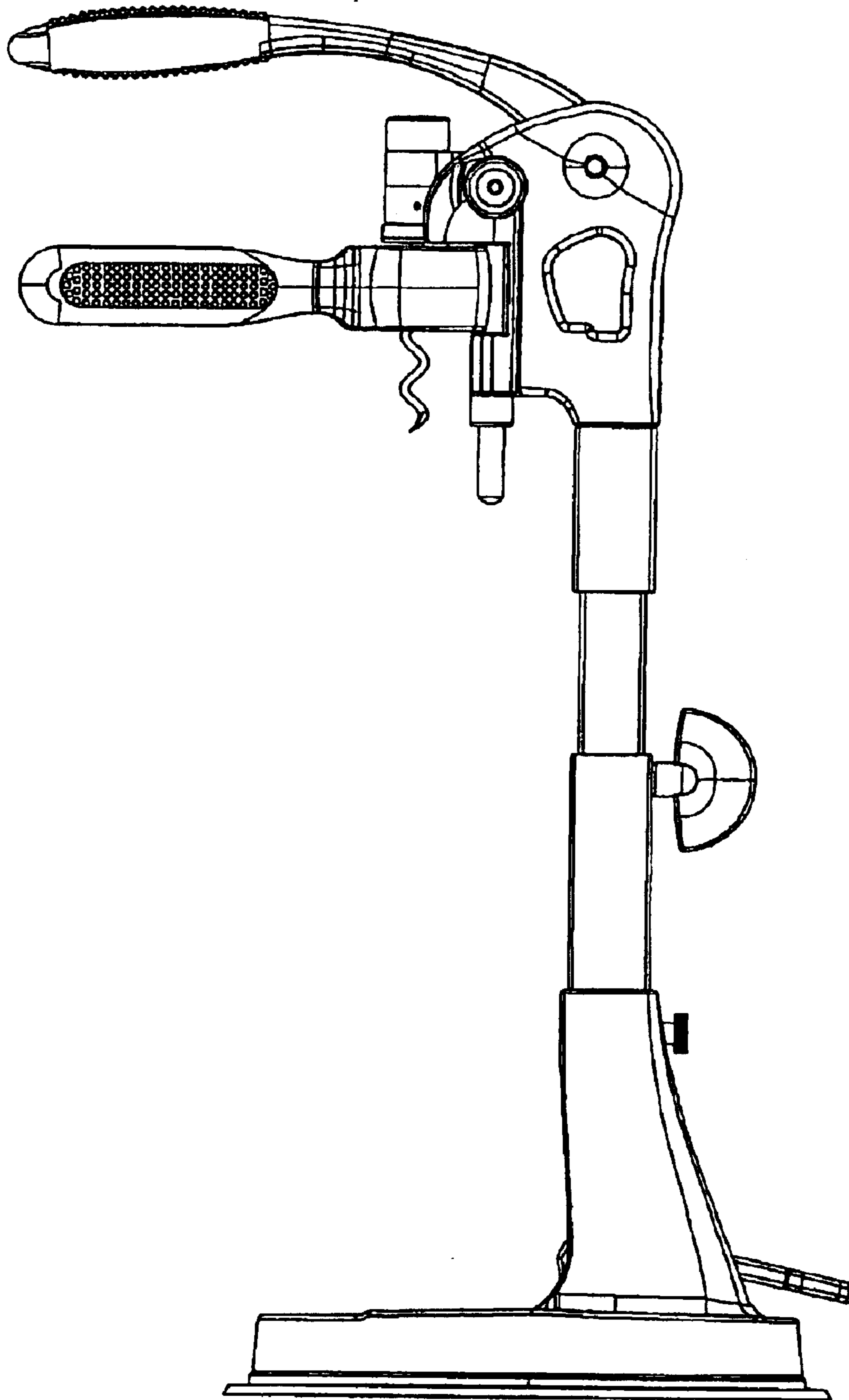


FIG. 2

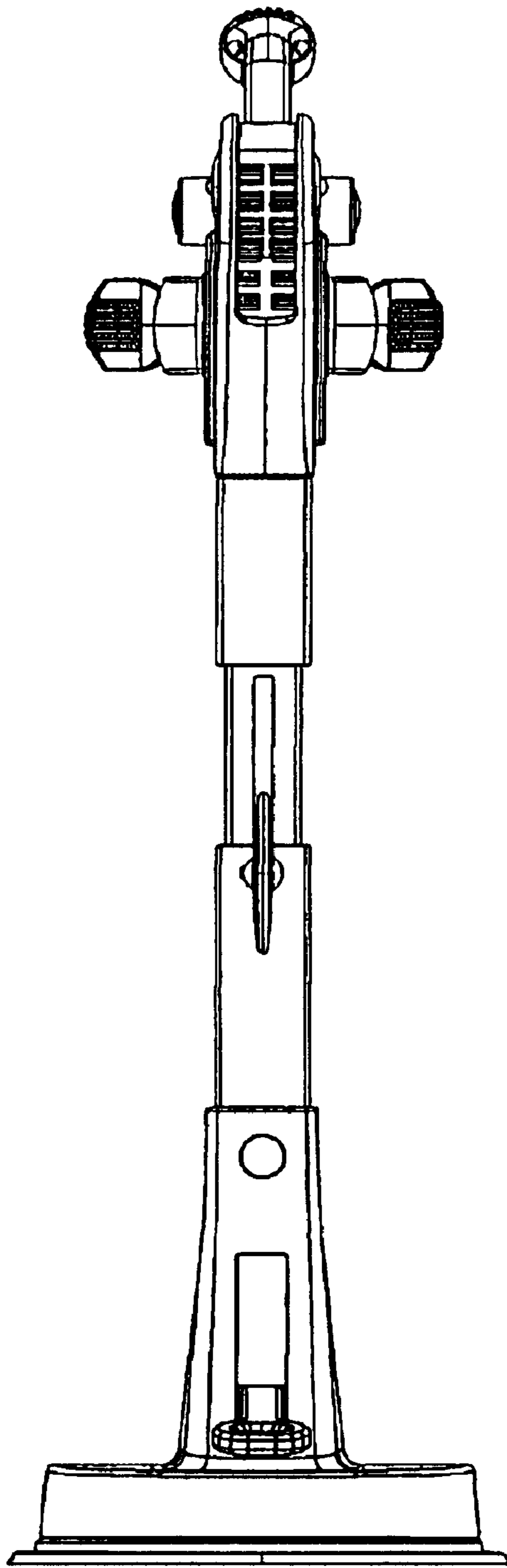


FIG. 3

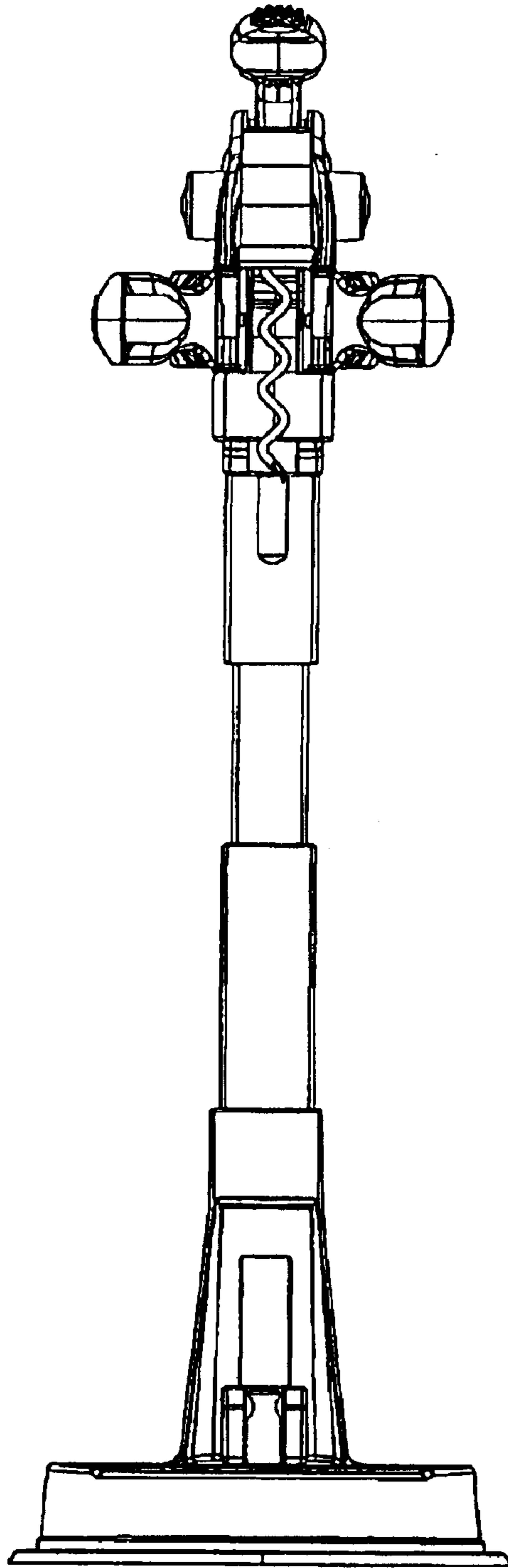


FIG. 4

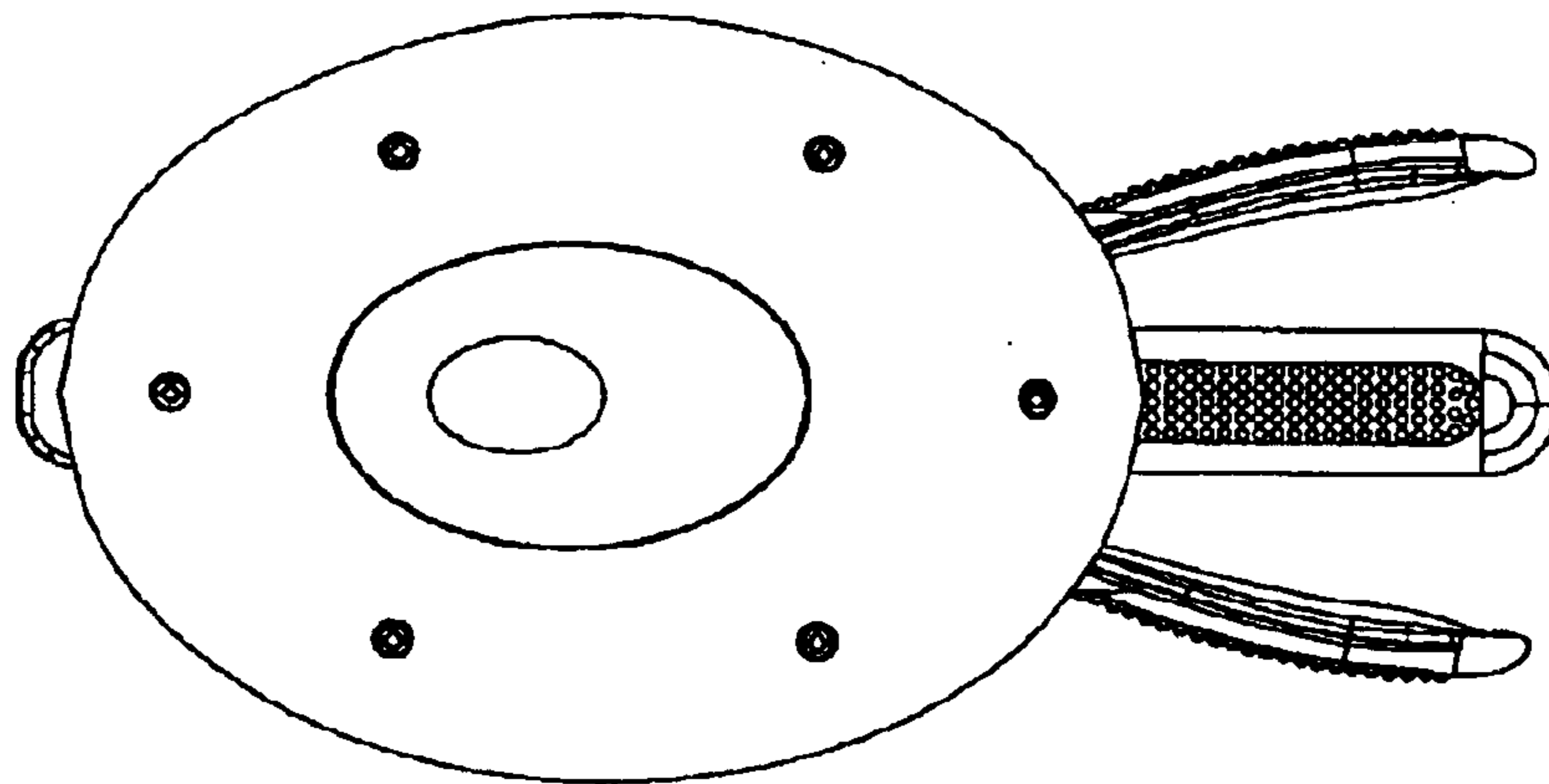


FIG. 5

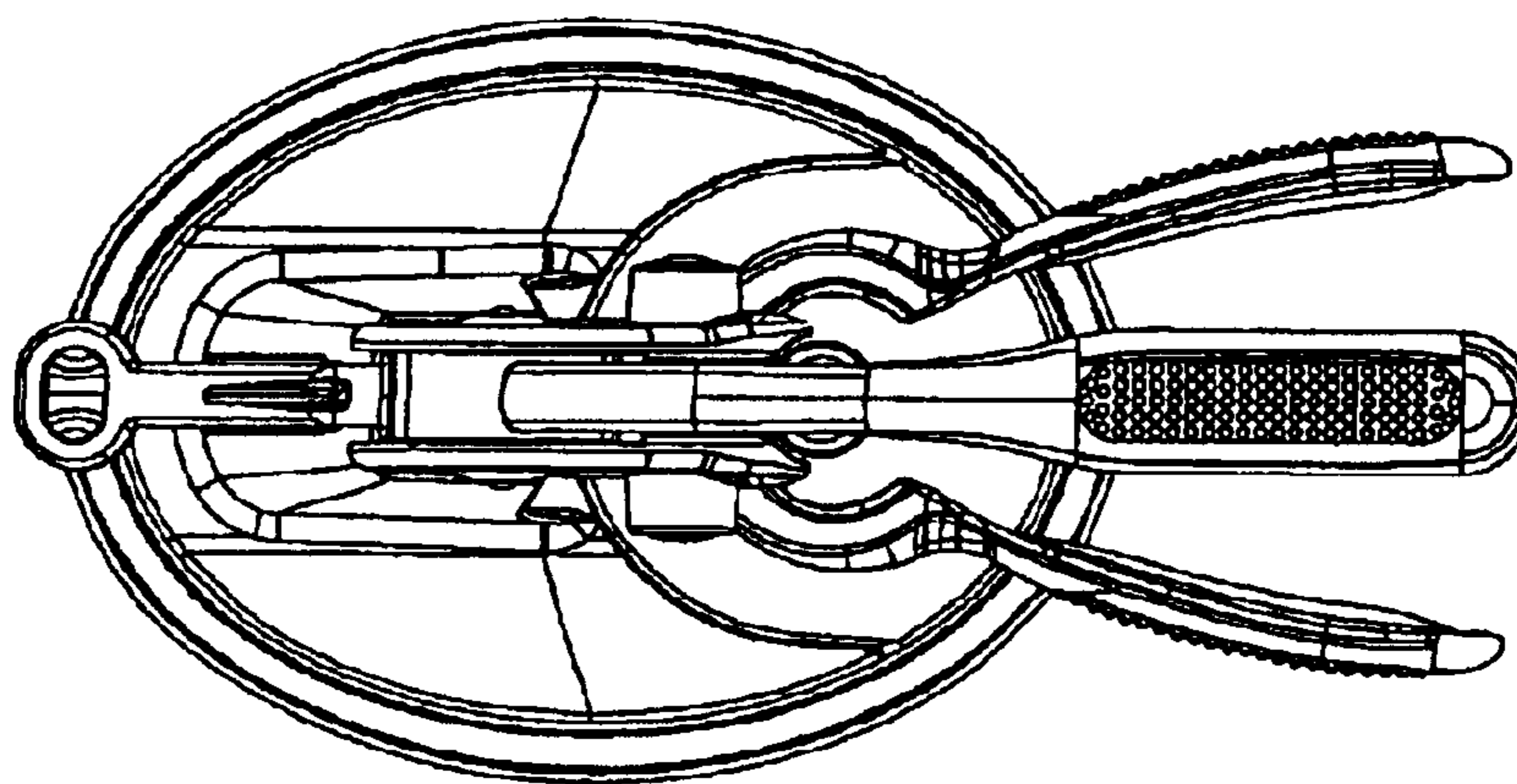


FIG. 6

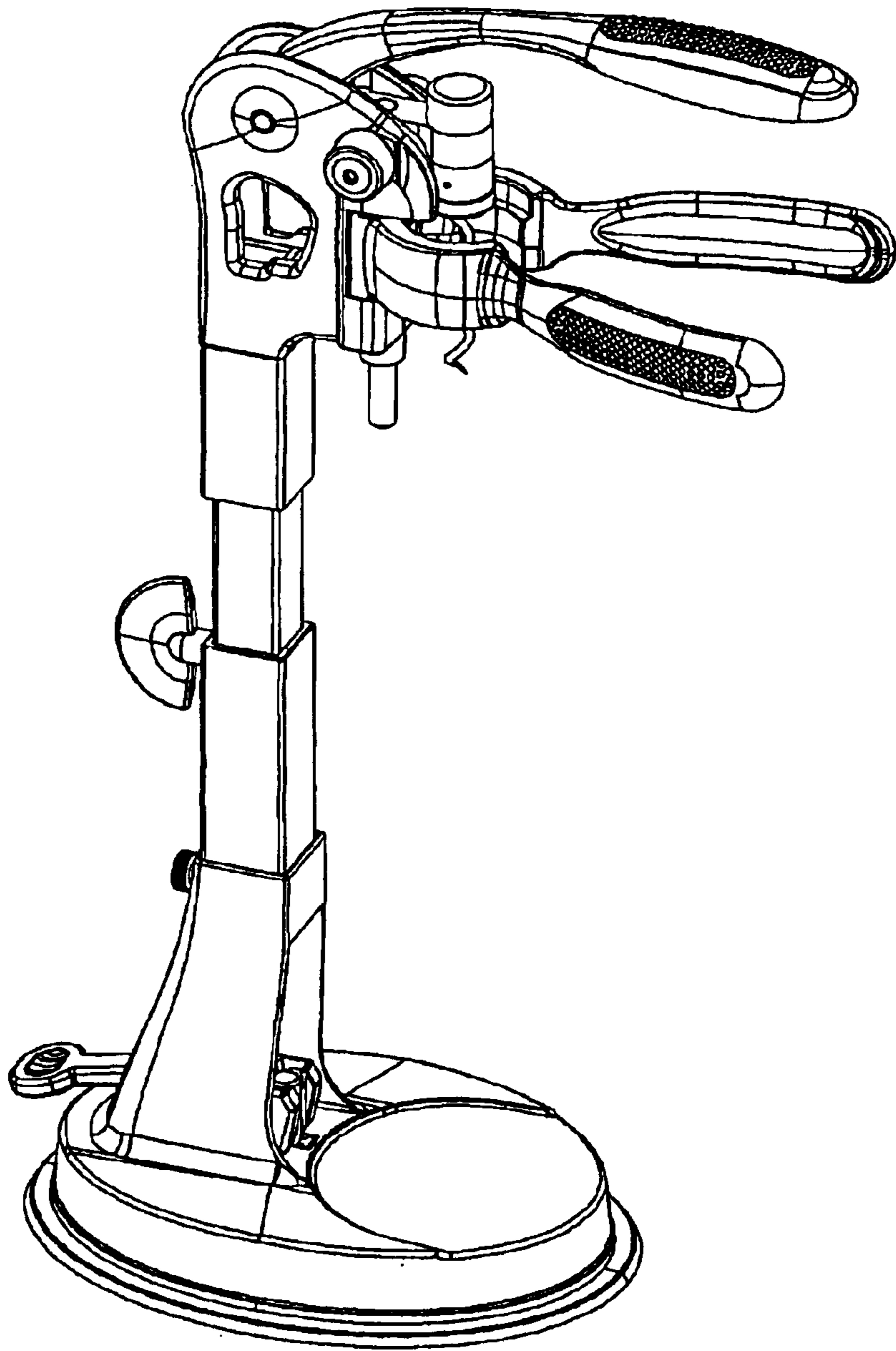


FIG. 7

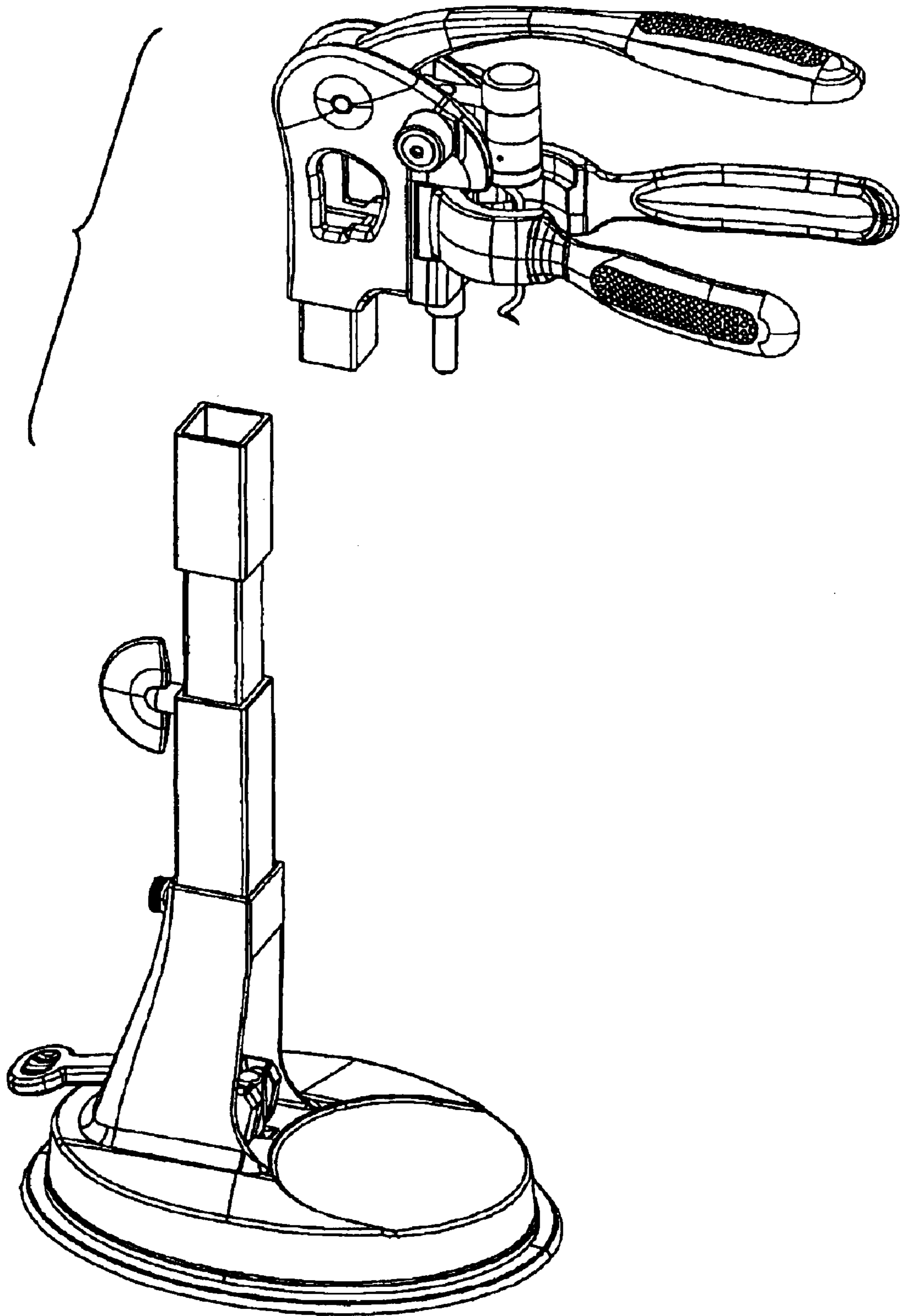


FIG. 8