

US00D496239S1

(12) **United States Design Patent** (10) **Patent No.:** **US D496,239 S**
Levine et al. (45) **Date of Patent:** **** Sep. 21, 2004**

(54) **GLUE GUN HANDLE**

(75) Inventors: **Steven R. Levine**, Mooresville, NC (US); **Lindsay J. Klebenow**, Charlotte, NC (US)

(73) Assignee: **Irwin Industrial Tool Company**, Freeport, IL (US)

(**) Term: **14 Years**

(21) Appl. No.: **29/170,803**

(22) Filed: **Nov. 12, 2002**

(51) **LOC (7) Cl.** **08-05**

(52) **U.S. Cl.** **D8/30**

(58) **Field of Search** D8/29.1, 30, 14.1; 222/146.1, 146.5, 146.2; 219/227

(56) **References Cited**

U.S. PATENT DOCUMENTS

- D315,852 S * 4/1991 Nusse et al. D8/30
- D316,019 S * 4/1991 Belanger D8/30
- D350,884 S * 9/1994 Sperling et al. D8/30
- 5,779,103 A * 7/1998 Massena 222/146.5

- D398,204 S * 9/1998 Lee D8/14.1
- D404,622 S * 1/1999 Singleton D8/29.1
- D412,432 S * 8/1999 Bokros D8/30
- 6,105,824 A * 8/2000 Singleton 222/146.5

* cited by examiner

Primary Examiner—Philip S. Hyder

(74) *Attorney, Agent, or Firm*—Brinks Hofer Gilson & Lione

(57) **CLAIM**

The ornamental design for a glue gun handle, as shown and described.

DESCRIPTION

FIG. 1 is a perspective view of an embodiment of the glue gun handle;
 FIG. 2 is a side view of the embodiment of FIG. 1, the opposite side being a substantial mirror image;
 FIG. 3 is a front view of the embodiment of FIG. 1; and,
 FIG. 4 is a bottom view of the embodiment of FIG. 1.
 The dotted lines indicate components for illustrative purposes only and form no part of the subject design.

1 Claim, 3 Drawing Sheets

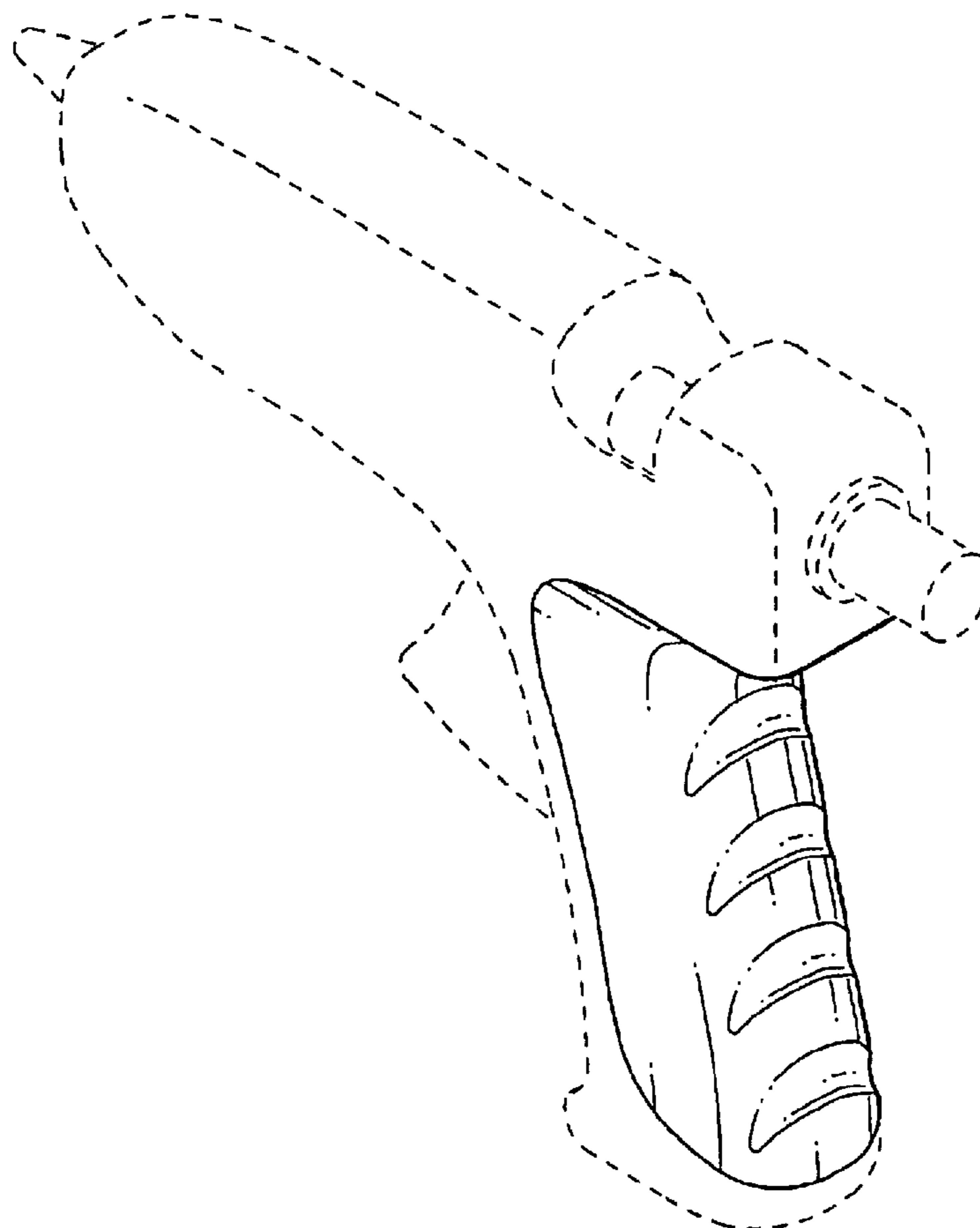
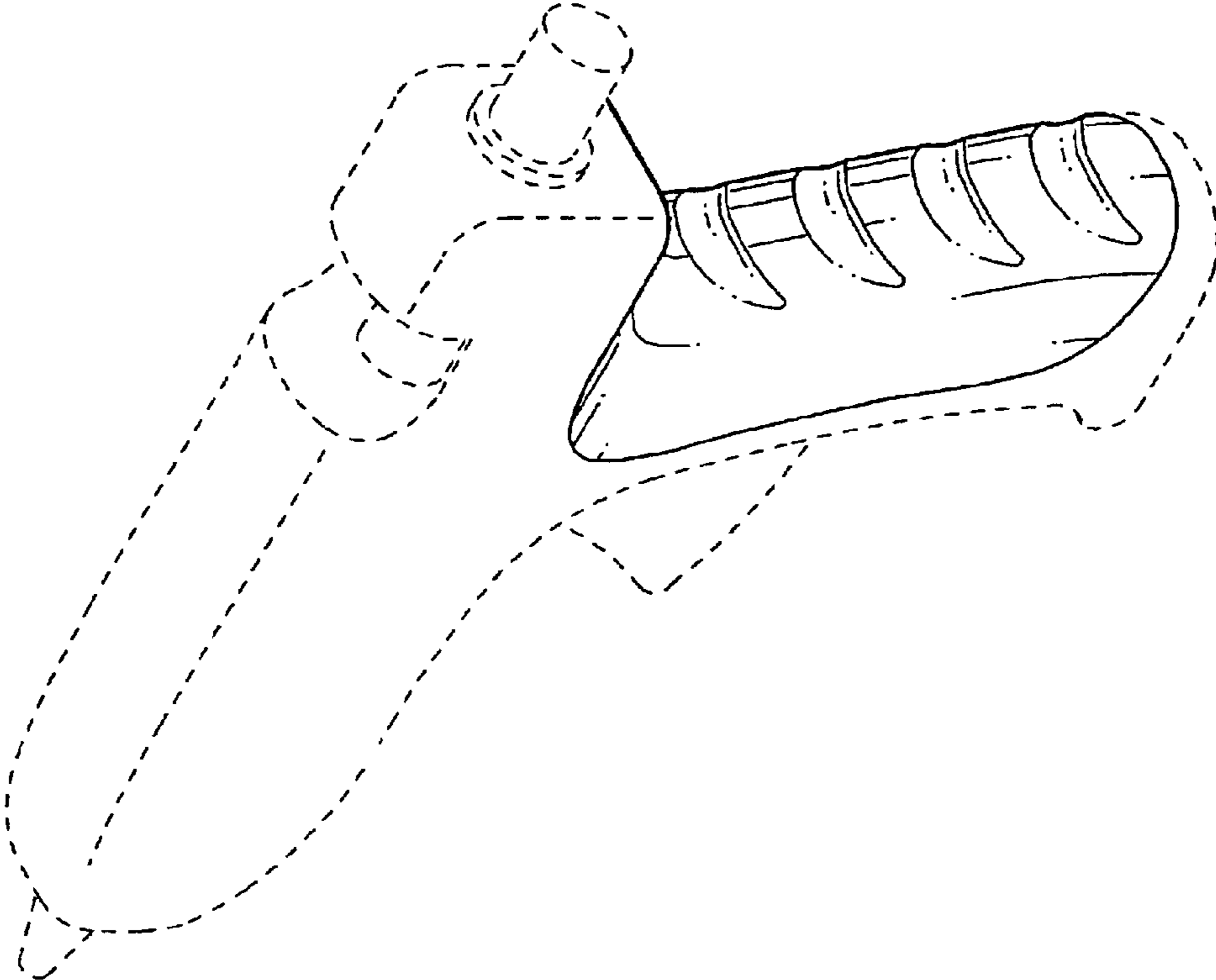


FIG. 1



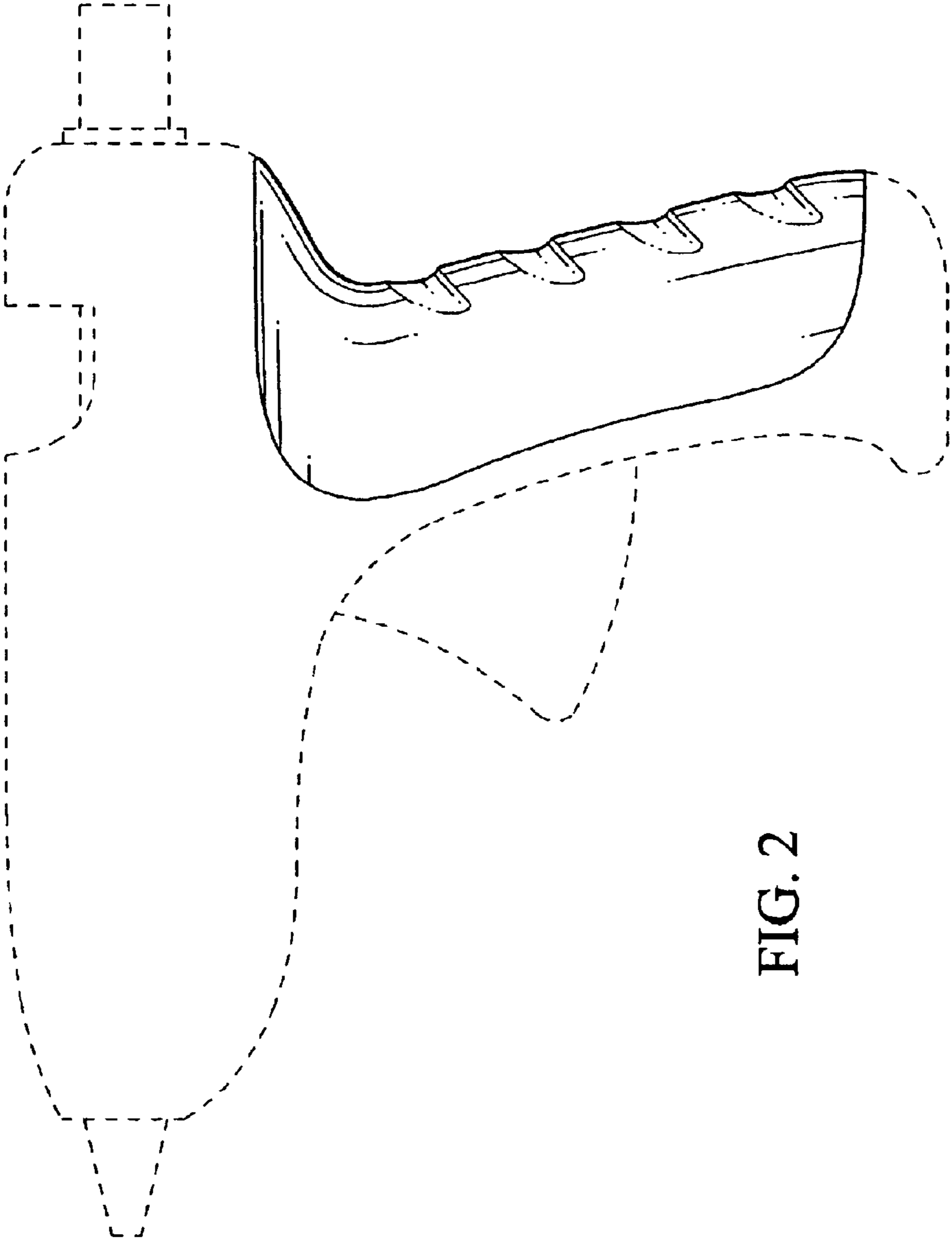


FIG. 2

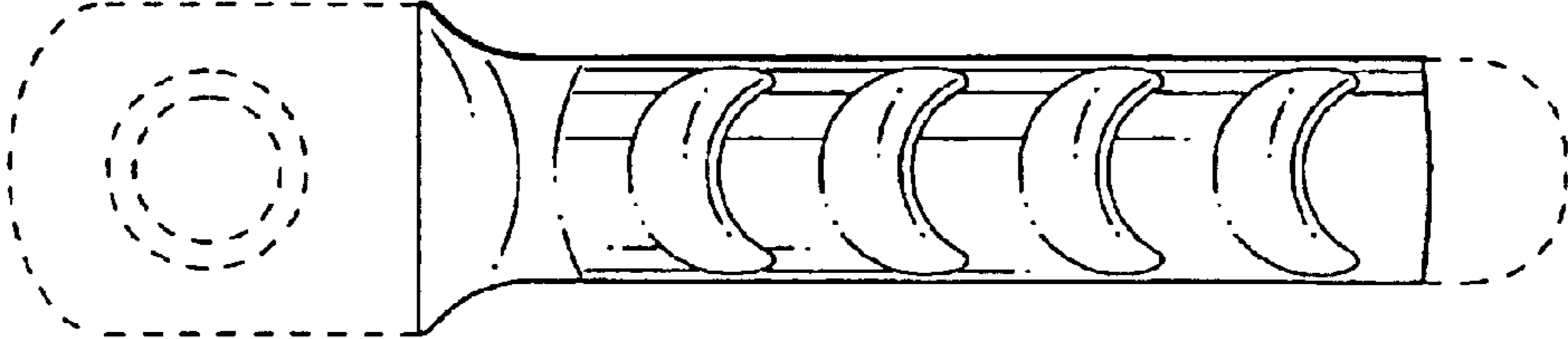


FIG. 3

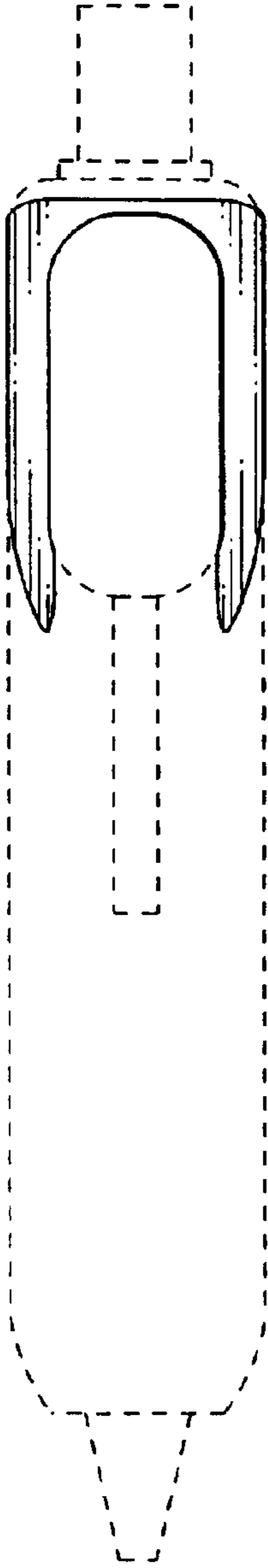


FIG. 4