

US00D496235S1

(12) **United States Design Patent**
Greene

(10) **Patent No.:** **US D496,235 S**

(45) **Date of Patent:** **** Sep. 21, 2004**

(54) **CULTIVATOR DEVICE**

(75) **Inventor:** **Patricia G. Greene**, St. Louis Park,
MN (US)

(73) **Assignee:** **Earth Bud-Eze, LLC**, Forest Lake,
MN (US)

(**) **Term:** **14 Years**

(21) **Appl. No.:** **29/180,480**

(22) **Filed:** **Apr. 24, 2003**

(51) **LOC (7) Cl.** **08-01**

(52) **U.S. Cl.** **D8/13**

(58) **Field of Search** D8/7, 9, 11, 13;
172/371-372, 378

(56) **References Cited**

U.S. PATENT DOCUMENTS

2,710,571 A * 6/1955 Pfister 172/378
D178,051 S * 6/1956 Greiner D8/13

5,518,284 A * 5/1996 Lynn 294/50.6
5,813,206 A * 9/1998 McKittrick 56/400.01
5,937,627 A * 8/1999 McKittrick 56/400.01
6,435,284 B1 * 8/2002 Aman 172/371

* cited by examiner

Primary Examiner—Holly Baynham

(74) *Attorney, Agent, or Firm*—Hugh D. Jaeger

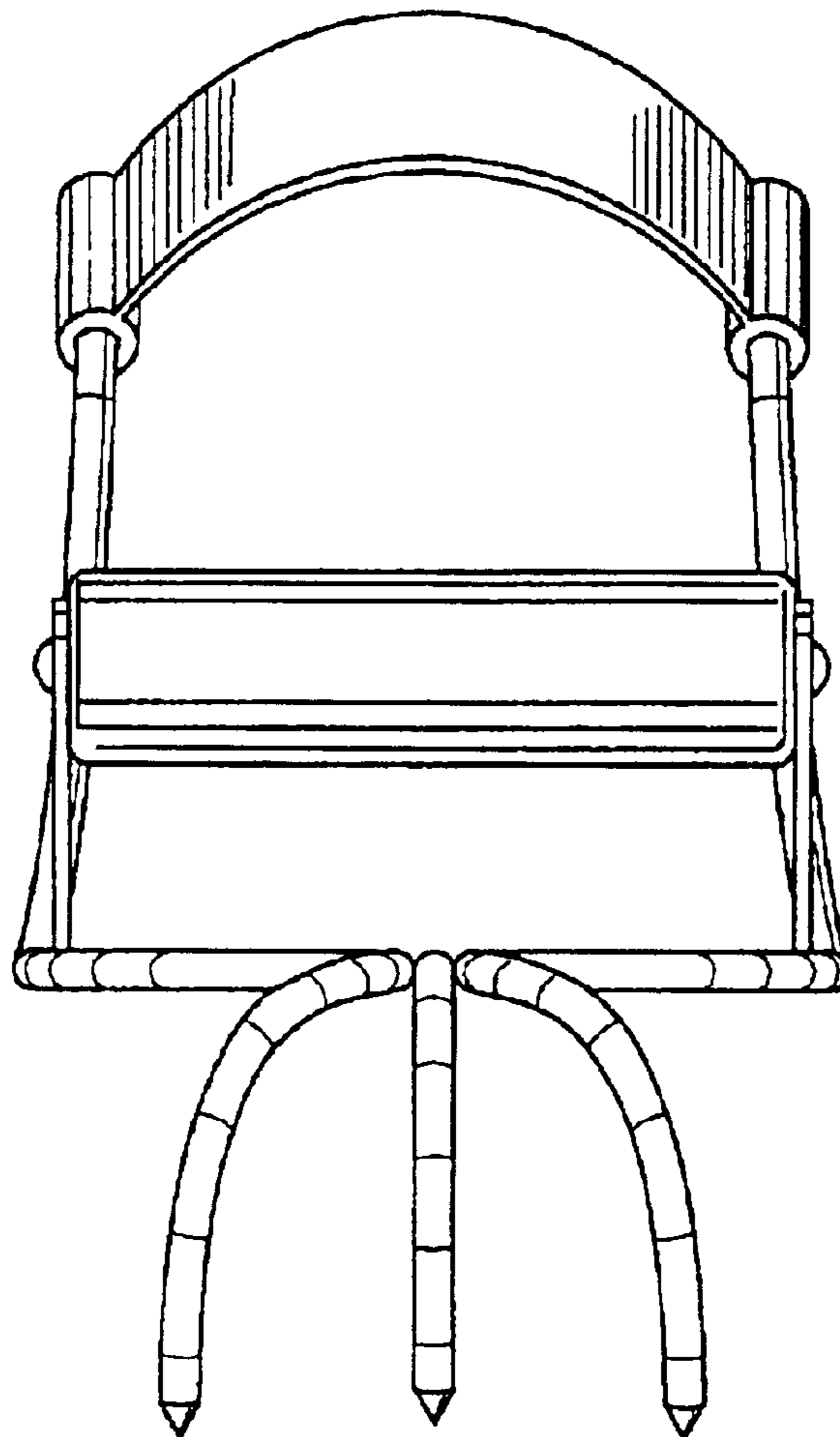
(57) **CLAIM**

The ornamental design for a cultivator device, as shown.

DESCRIPTION

FIG. 1 illustrates a front view thereof;
FIG. 2 illustrates a left side view thereof;
FIG. 3 illustrates a right side view thereof;
FIG. 4 illustrates a top view thereof;
FIG. 5 illustrates a bottom view thereof;
FIG. 6 illustrates a back view thereof; and,
FIG. 7 illustrates a isometric view thereof.

1 Claim, 7 Drawing Sheets



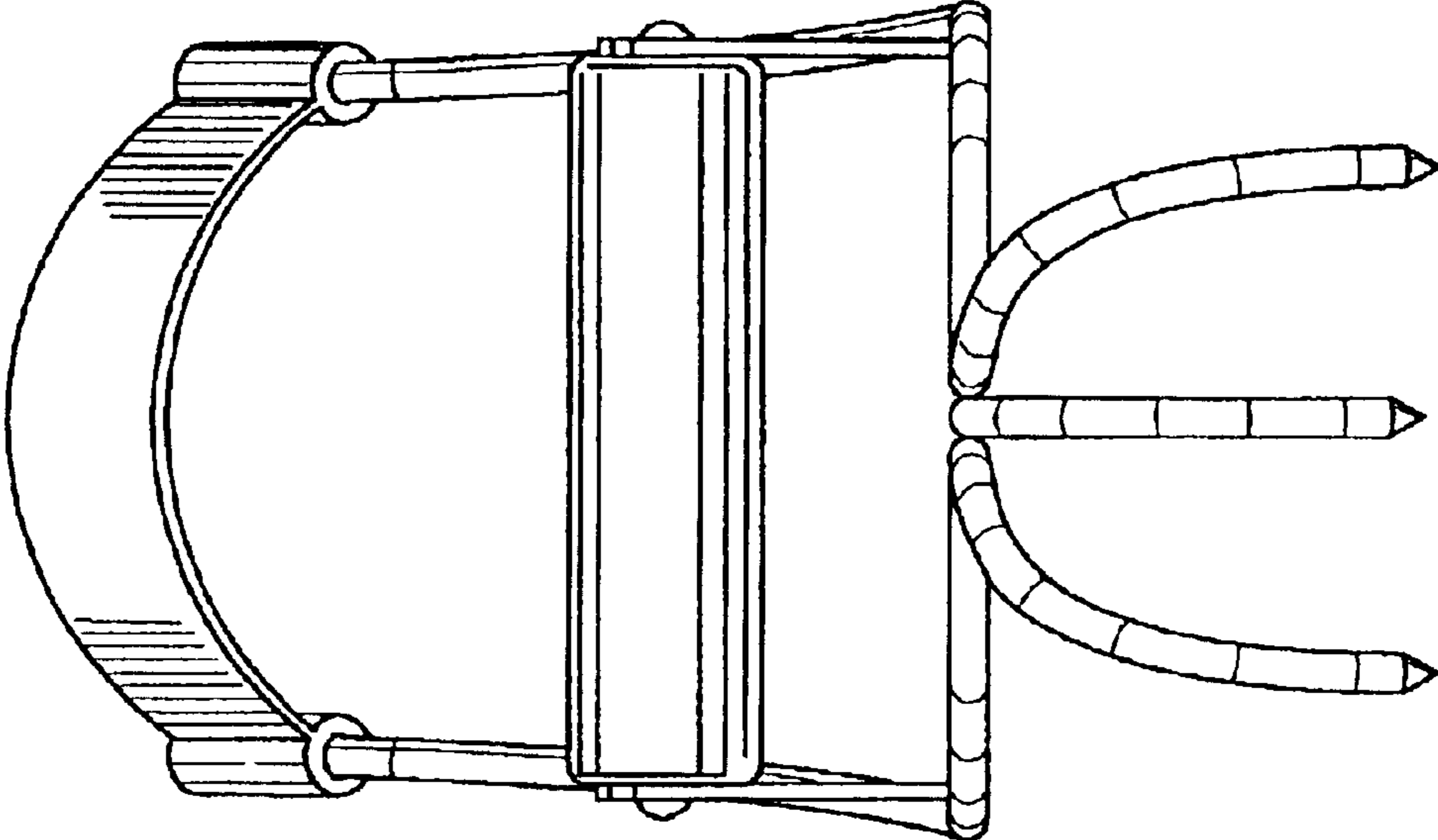


FIG. 1

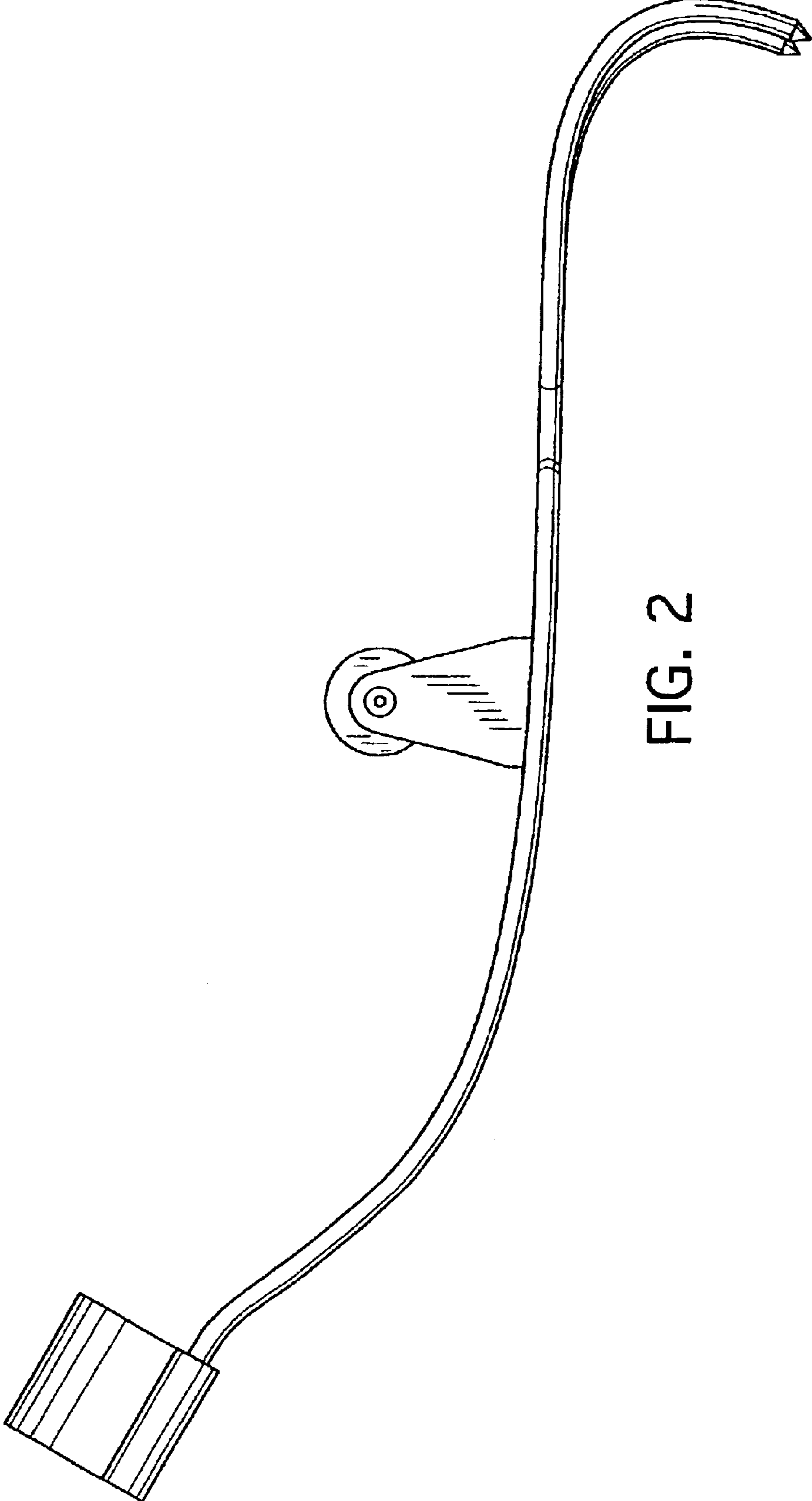


FIG. 2

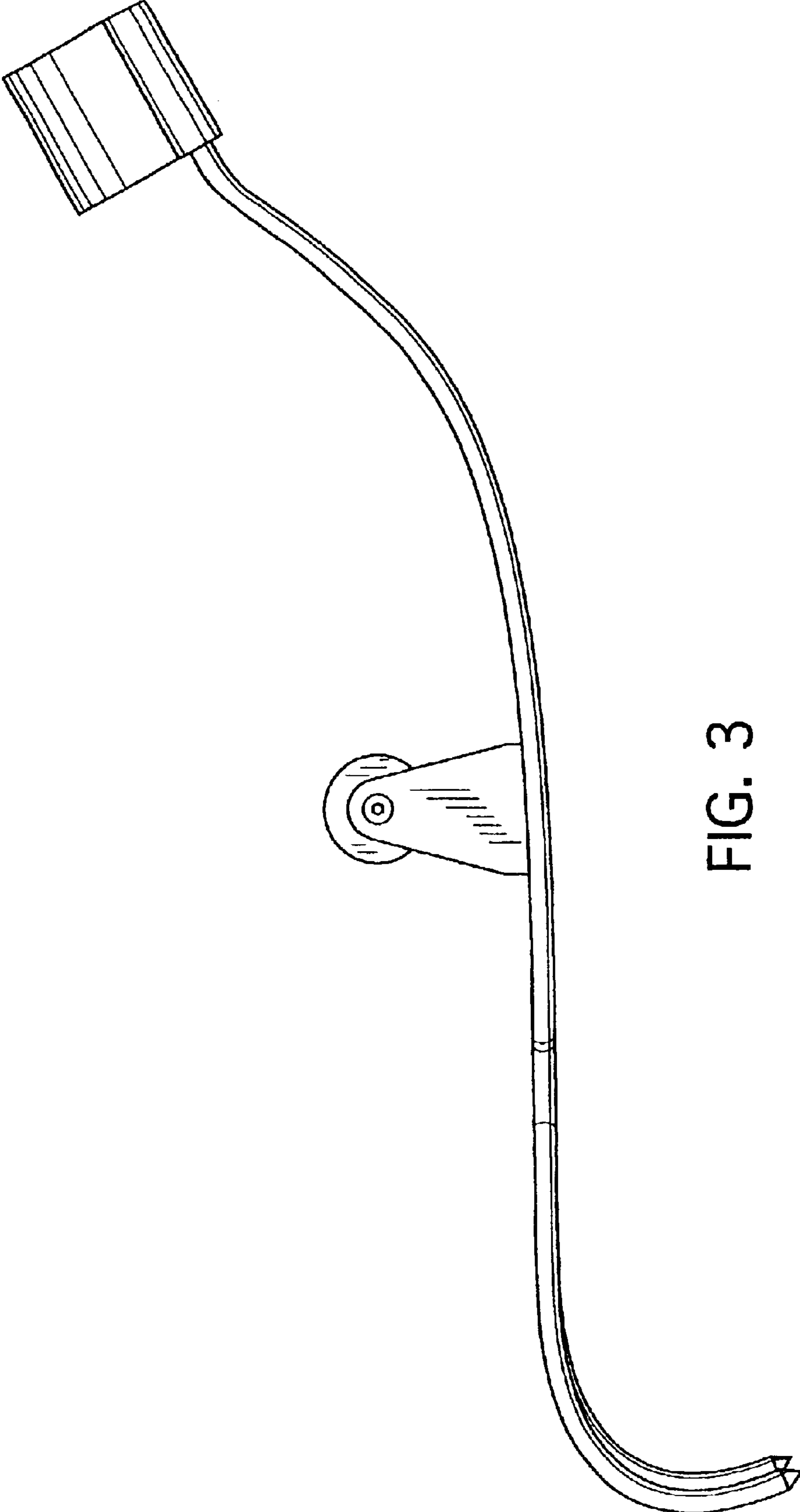


FIG. 3

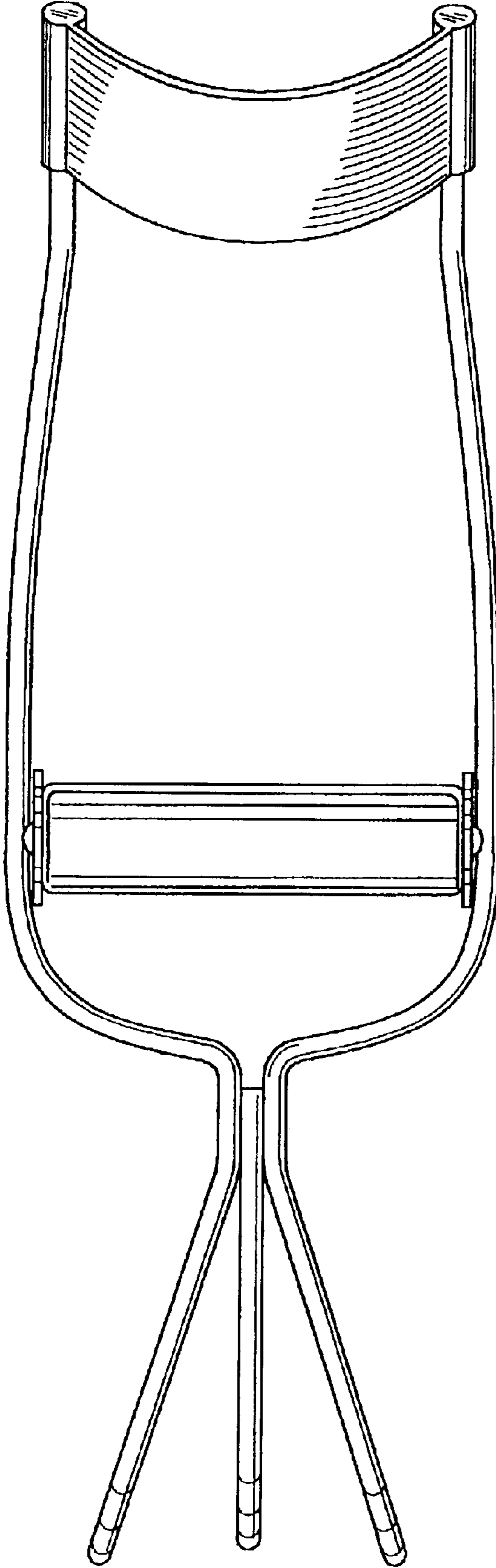


FIG. 4

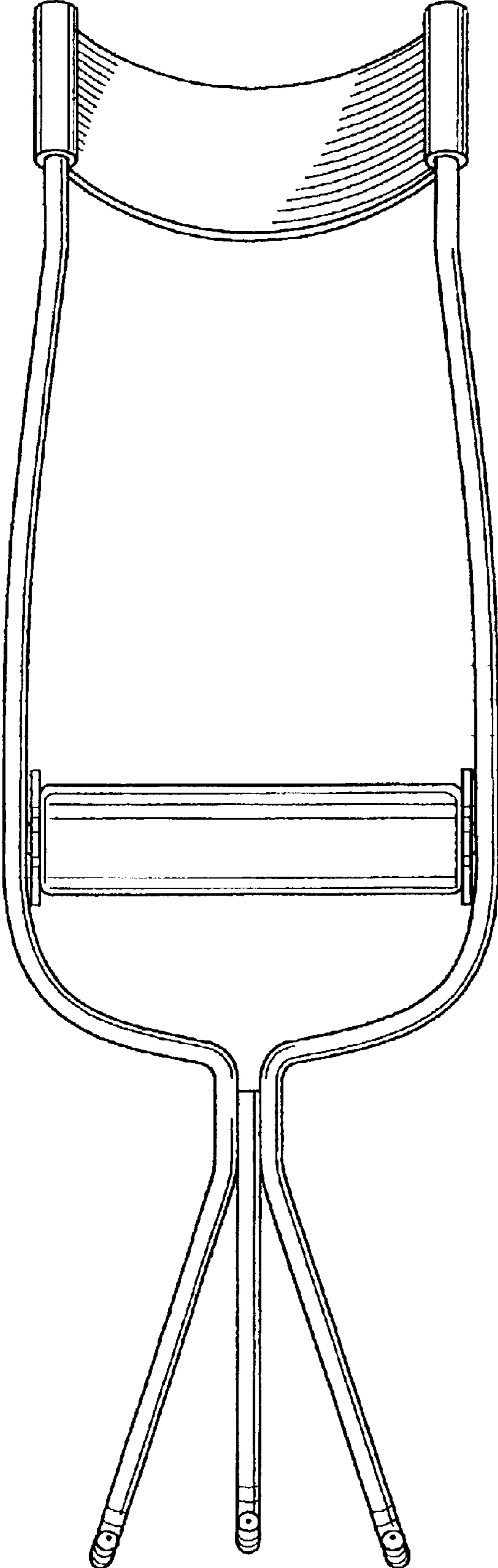


FIG. 5

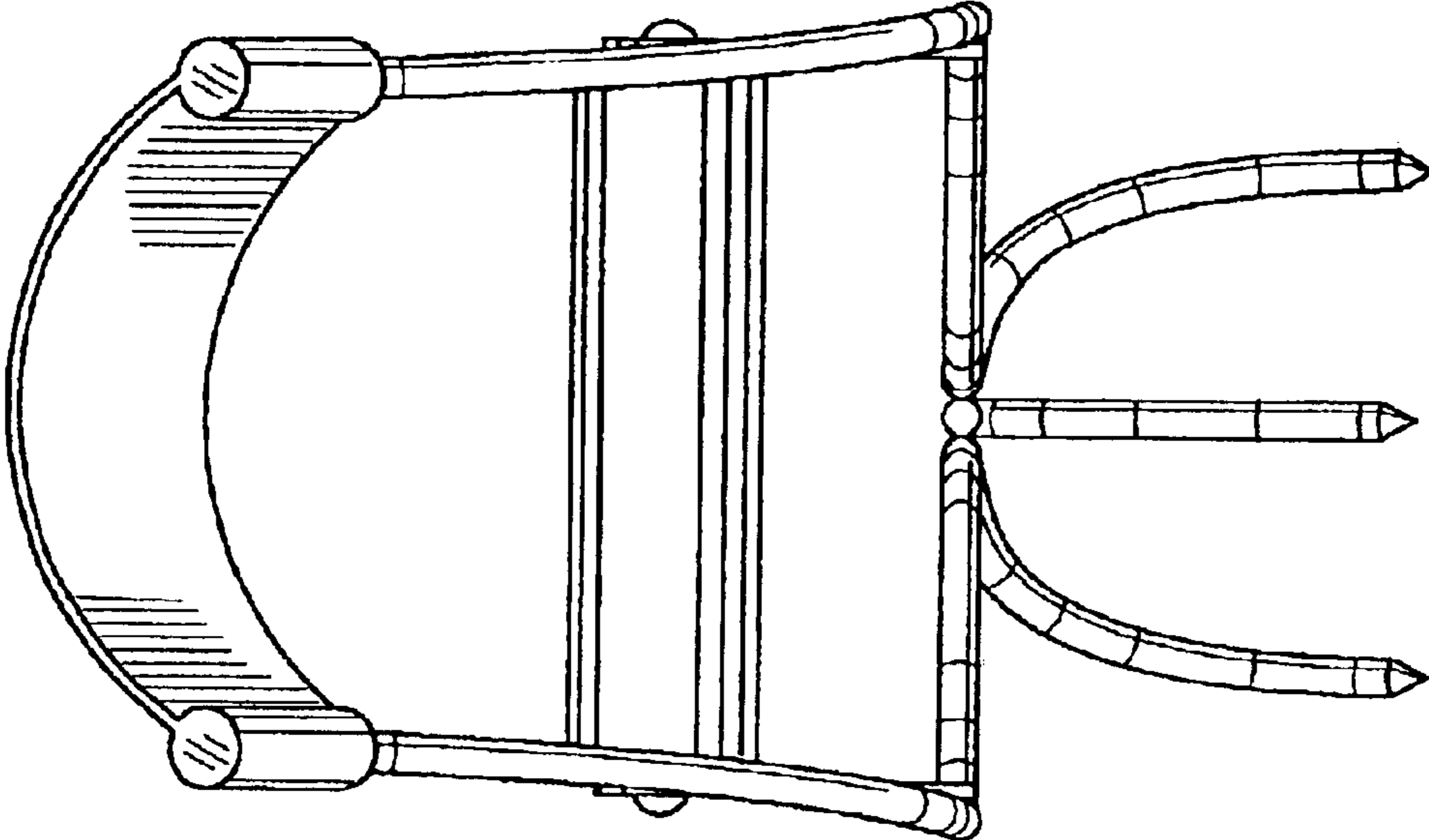


FIG. 6

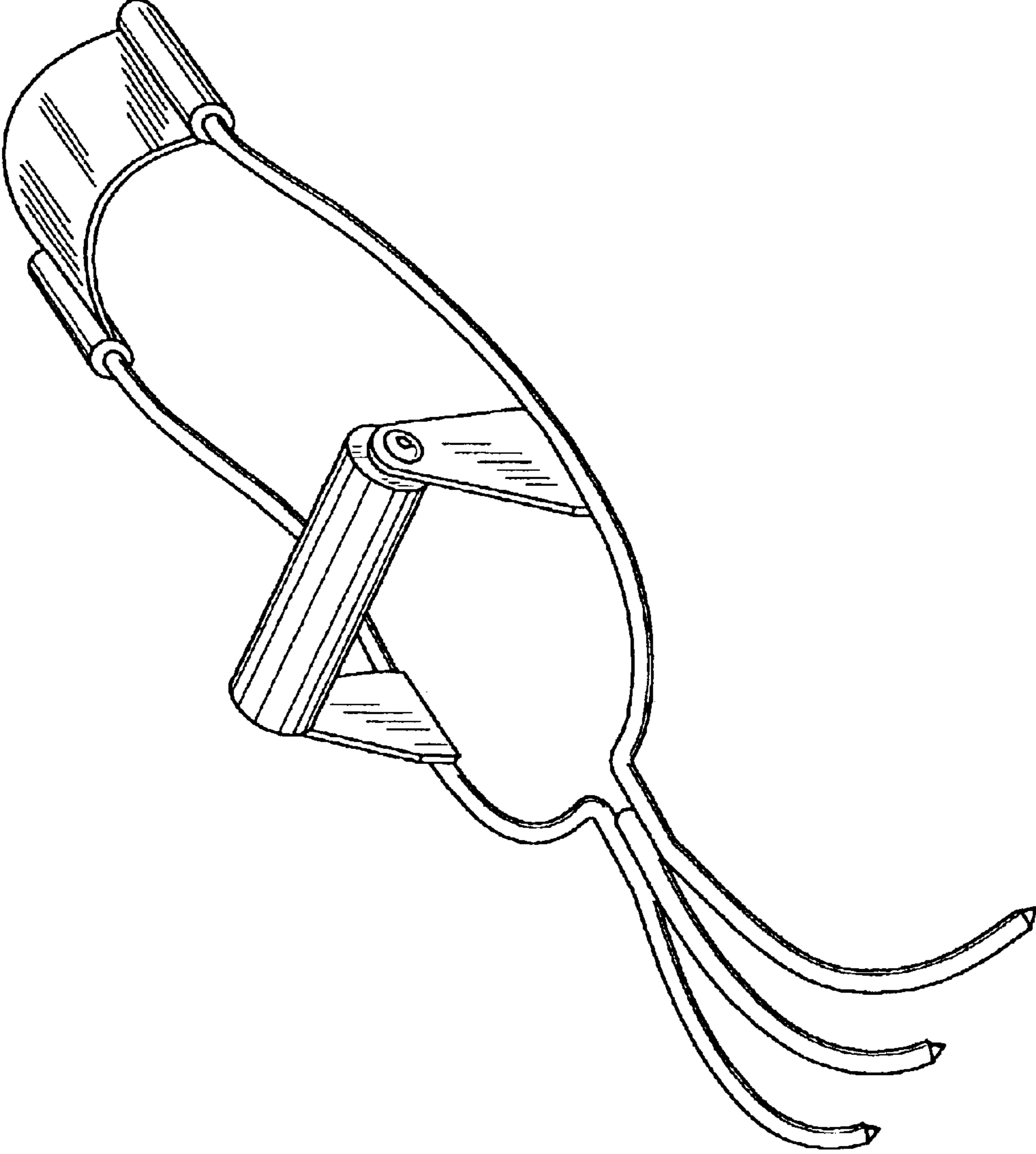


FIG. 7