

US00D496222S1

(12) **United States Design Patent** (10) **Patent No.:** **US D496,222 S**
Kleckauskas et al. (45) **Date of Patent:** **** Sep. 21, 2004**

(54) **DISPENSING CONTAINER WITH STORAGE COMPARTMENT**

D390,113 S * 2/1998 Rausch D9/520
D394,010 S * 5/1998 Lynd D9/531
D407,946 S * 4/1999 Brewer et al. D7/510
D470,014 S * 2/2003 Soehnlén et al. D7/536

(75) Inventors: **Robert Kleckauskas**, St. Charles, IL (US); **Bruce Ronner**, Glencoe, IL (US); **John P. Coursey**, Chicago, IL (US); **Rita Sifuentes**, Melrose Park, IL (US); **Robert Giacolo**, Woodridge, IL (US); **Boris Goldstein**, Glenview, IL (US); **Brian Horwath**, Naperville, IL (US)

* cited by examiner

Primary Examiner—M. N. Pandozzi
(74) *Attorney, Agent, or Firm*—Wood, Phillips, Katz, Clark & Mortimer

(73) Assignee: **Arrow Plastic Manufacturing Co.**, Elk Grove, IL (US)

(57) **CLAIM**

The ornamental design for a dispensing container with storage compartment, substantially as shown and described.

(**) Term: **14 Years**

DESCRIPTION

(21) Appl. No.: **29/185,945**

(22) Filed: **Jul. 7, 2003**

(51) **LOC (7) Cl.** **07-01**

(52) **U.S. Cl.** **D7/507; D7/511; D7/536; D7/510**

(58) **Field of Search** D7/533, 536, 510, D7/511, 509, 507; D24/197; D9/531, 520; 220/710, 771, 705, 710.5; 215/12.1, 12.2, 388, 384, 398

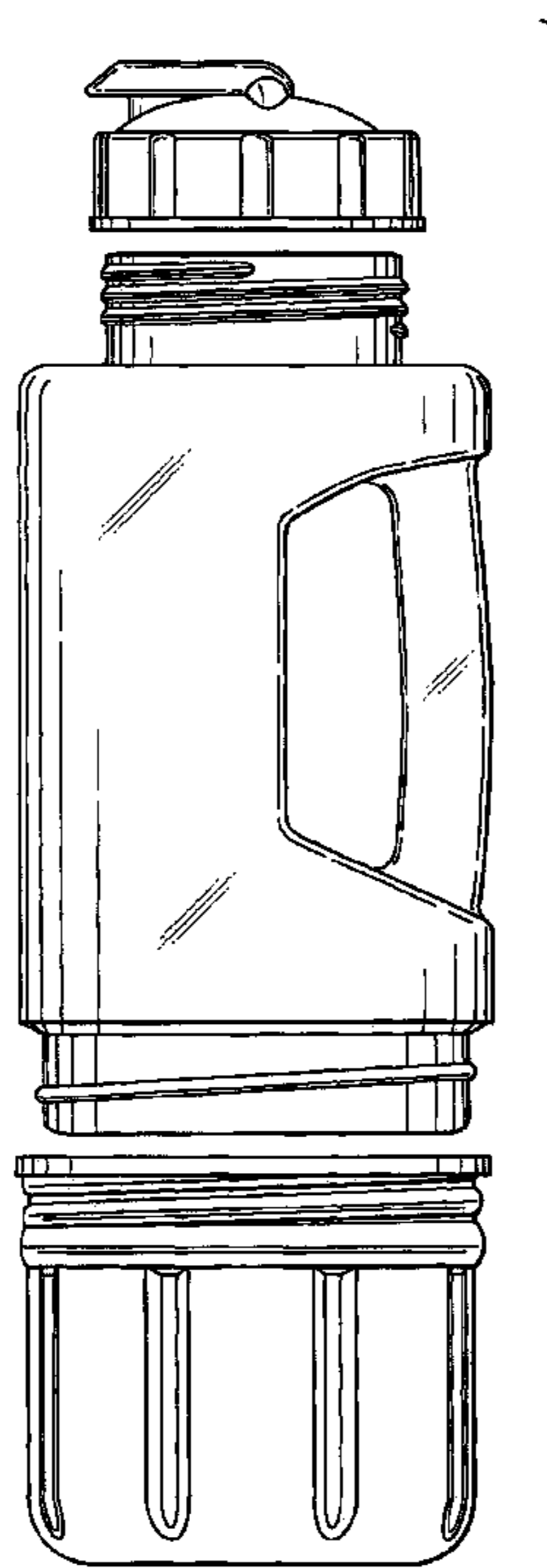
FIG. 1 is a perspective view of our new design; FIG. 2 is an exploded, front elevational view thereof; FIG. 3 is an exploded, rear elevational view thereof; FIG. 4 is an exploded, side elevational view thereof; FIG. 5 is an exploded, opposite side elevational view thereof; FIG. 6 is a top plan view thereof, with the lid and storage compartment removed for ease of illustration; FIG. 7 is a bottom plan view thereof; FIG. 8 is a top plan view of the storage compartment portion, the upper portion removed for ease of illustration; FIG. 9 is a bottom plan view thereof; FIG. 10 is top plan view of the lid thereof in a closed condition; FIG. 11 is a top plan view of the lid thereof in an open condition; and, FIG. 12 is a bottom plan view of the lid portion with the lower portions removed for ease of illustration.

(56) **References Cited**

U.S. PATENT DOCUMENTS

D318,229 S * 7/1991 Umetsu D9/531
D321,936 S * 11/1991 Donovan D24/197
D338,407 S * 8/1993 Lynd D9/531
5,322,184 A * 6/1994 Bergner et al. 220/771
D360,338 S * 7/1995 Westgerdes D7/511
D364,071 S * 11/1995 Lynd D7/510

1 Claim, 7 Drawing Sheets



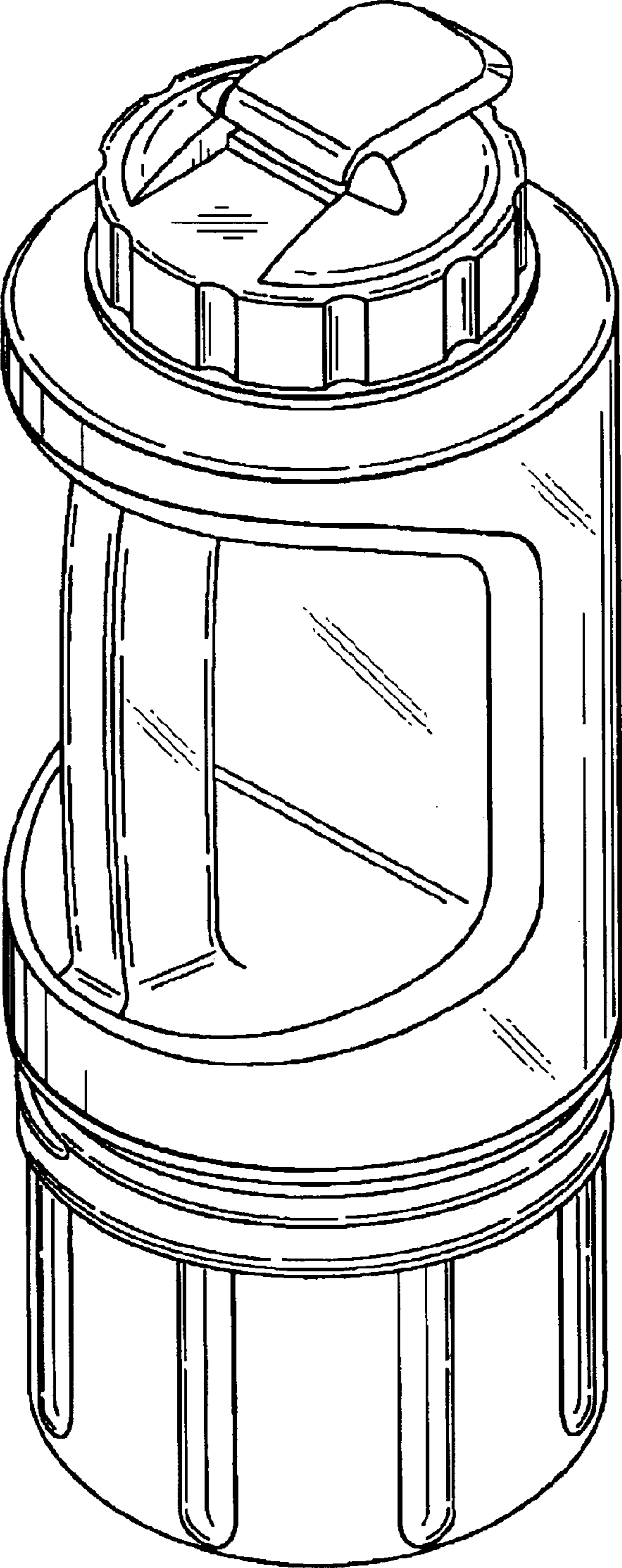


FIG. 1

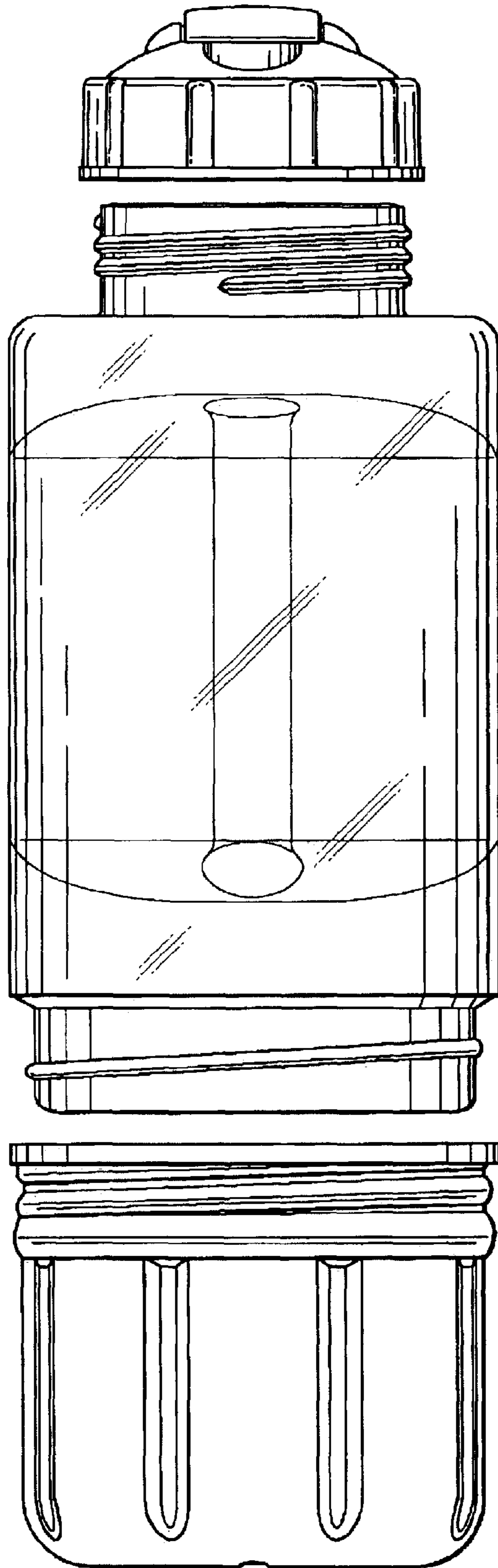


FIG. 2

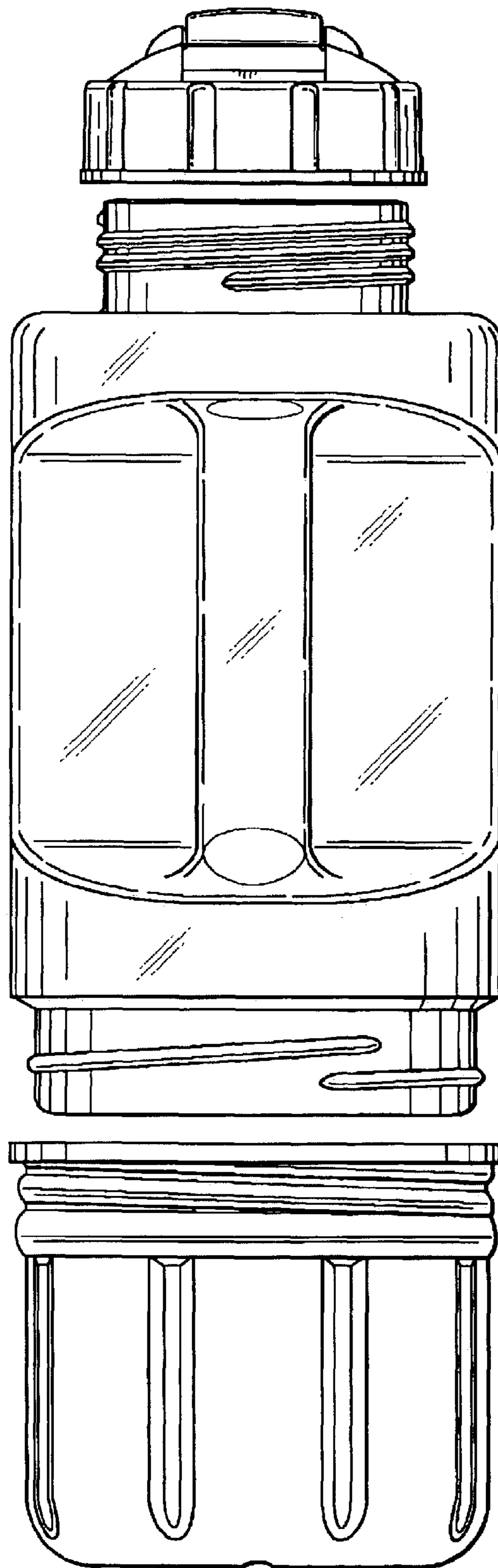


FIG. 3

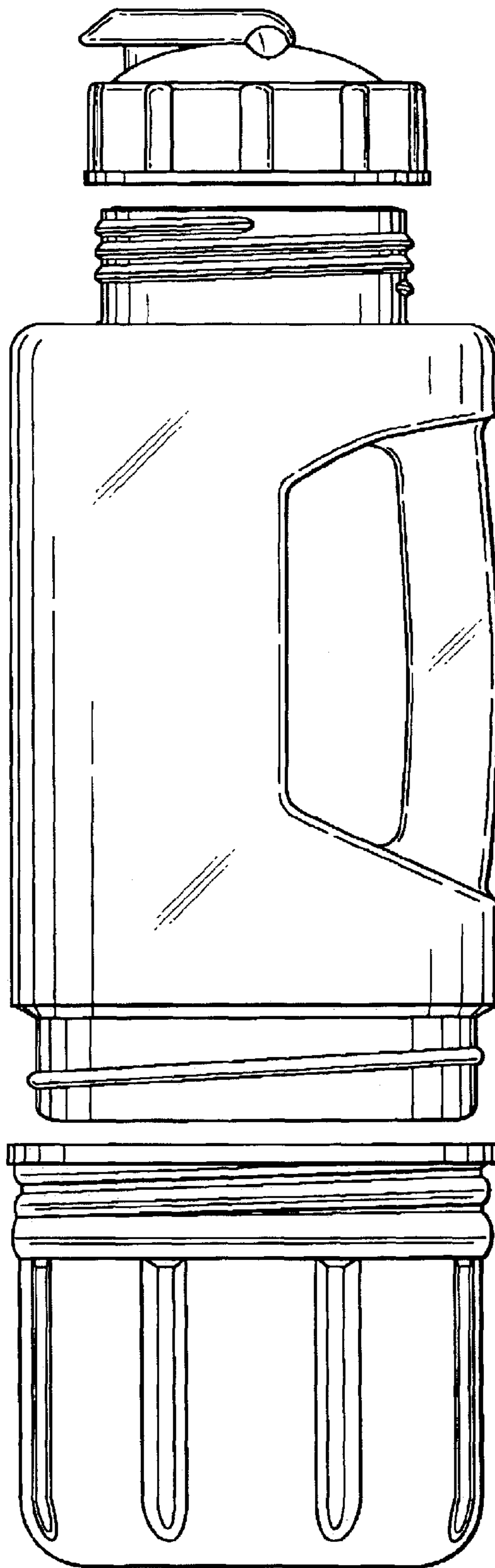


FIG. 4

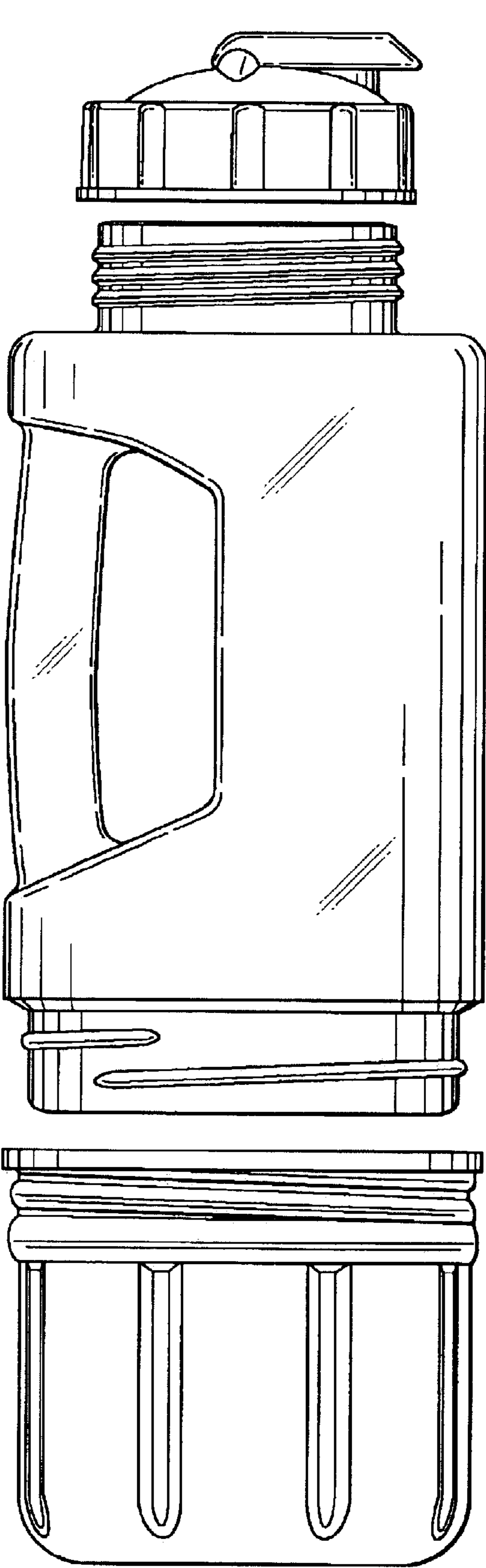


FIG. 5

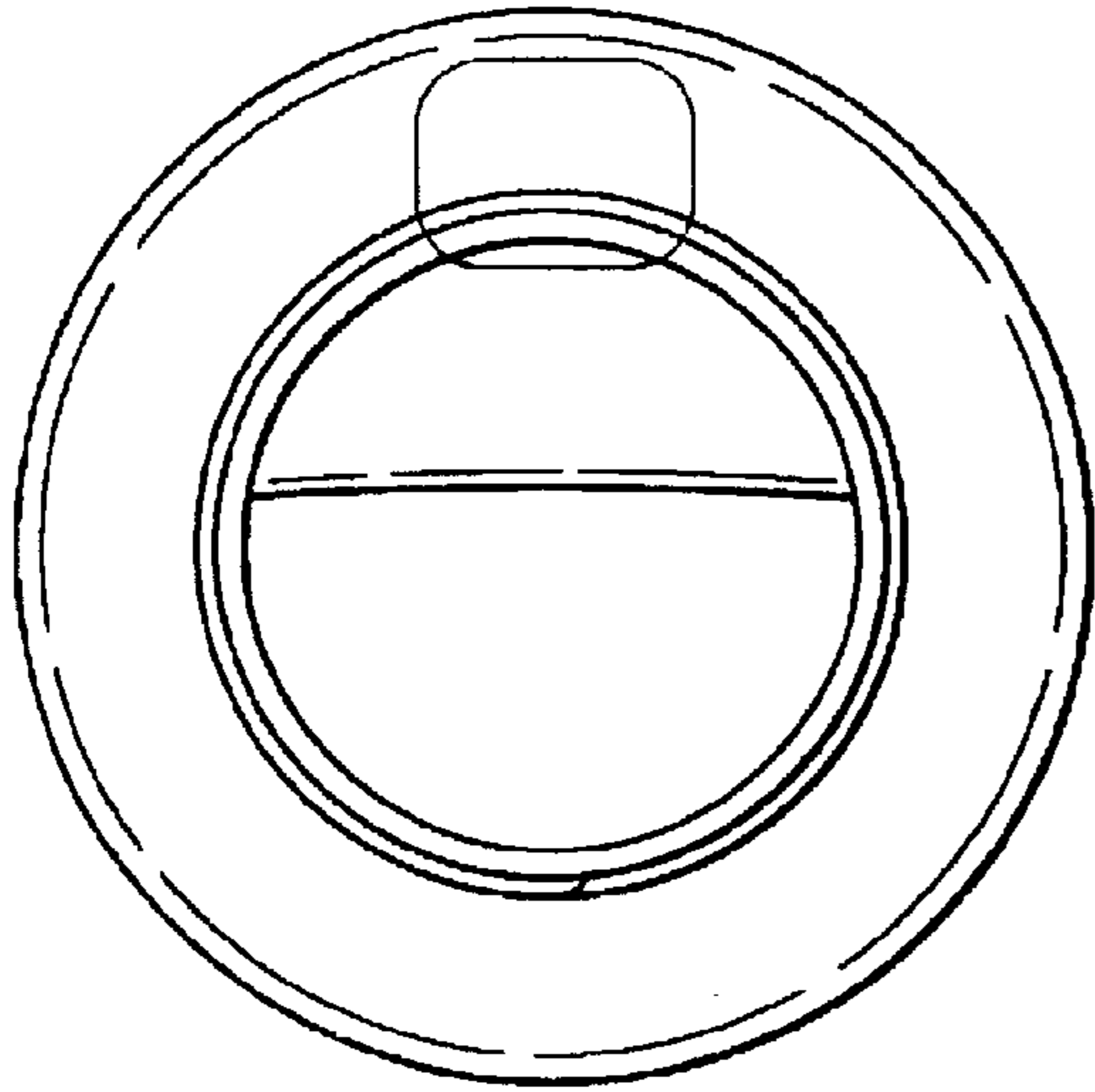


FIG. 6

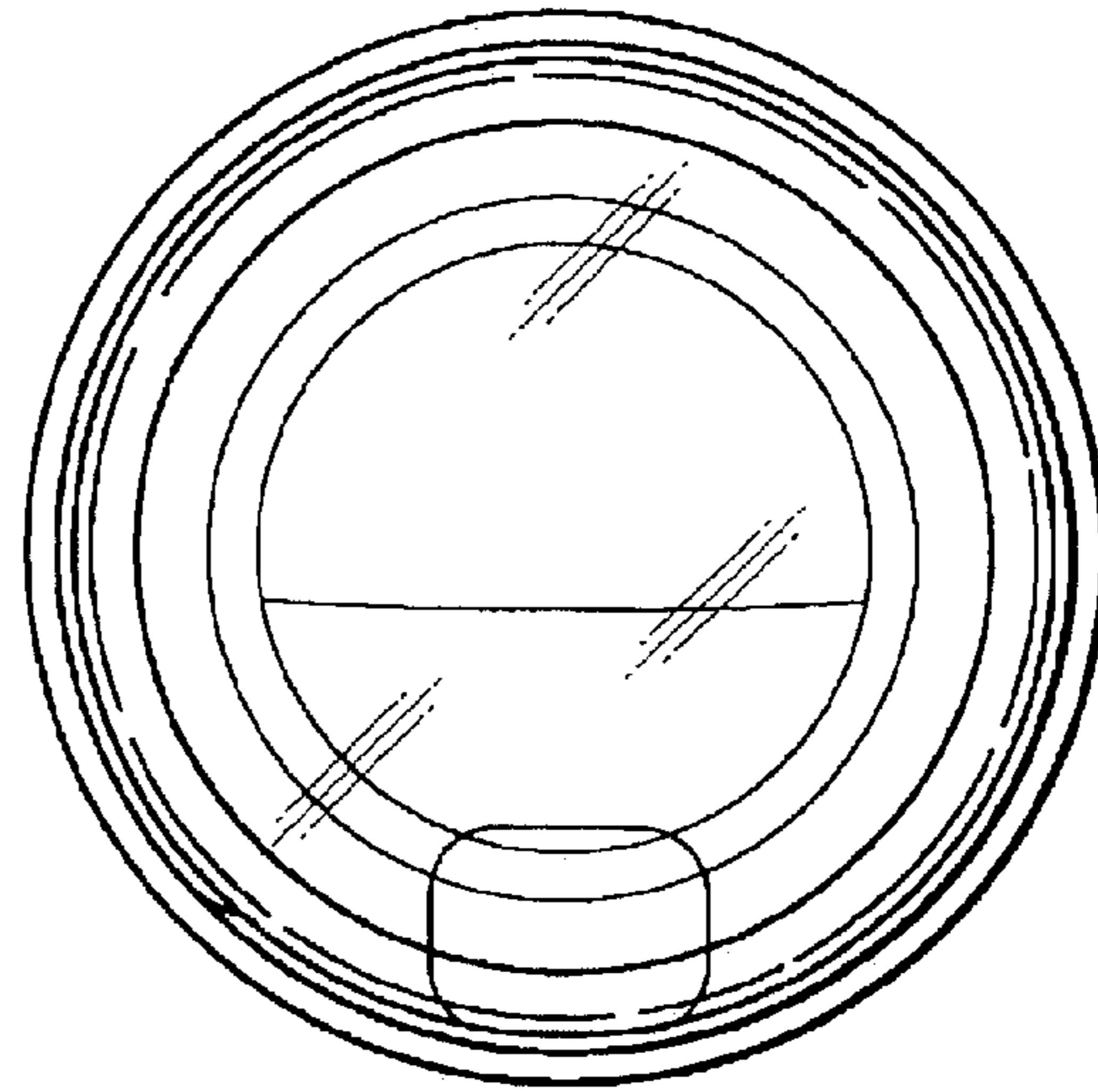


FIG. 7

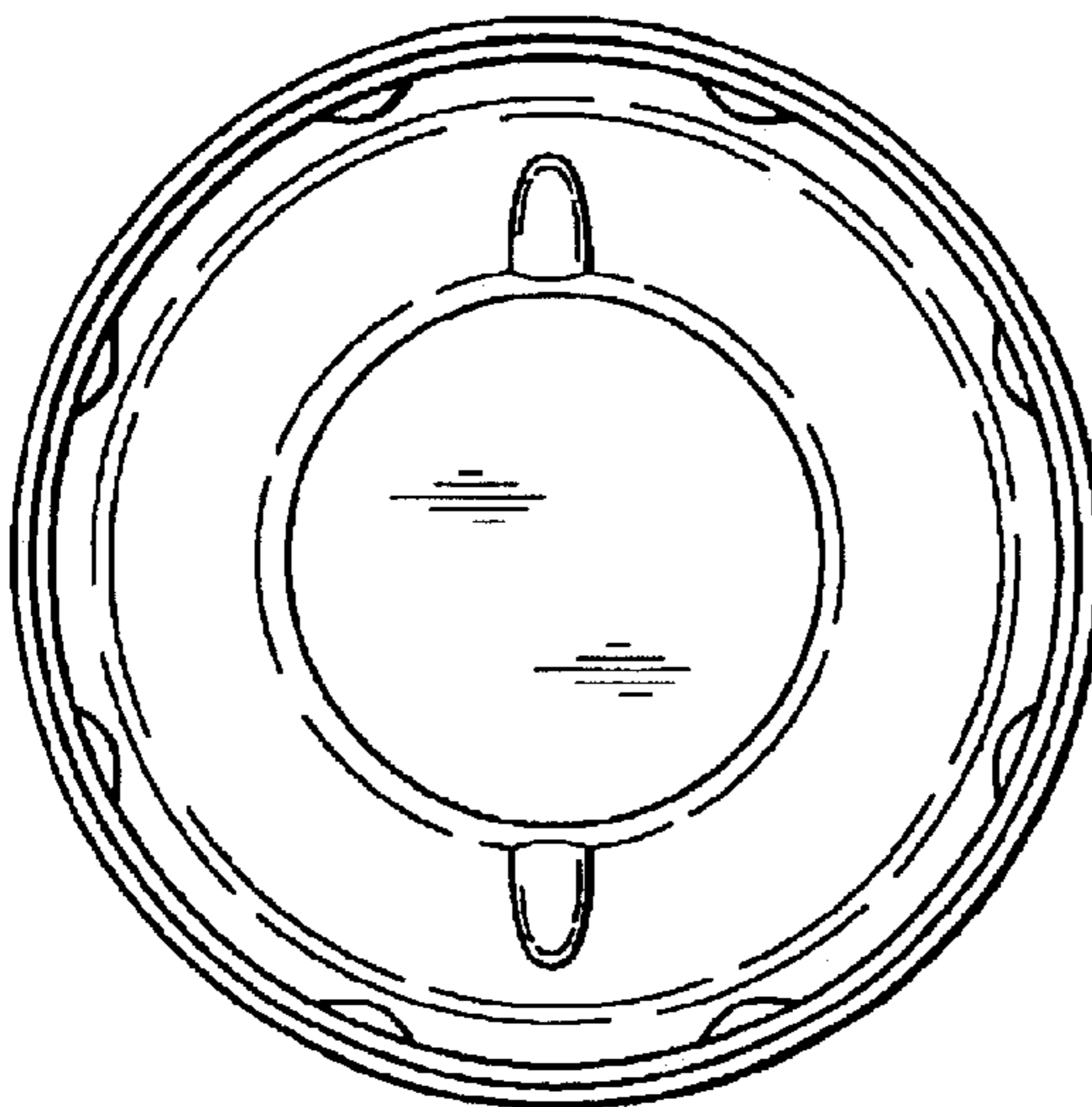


FIG. 8

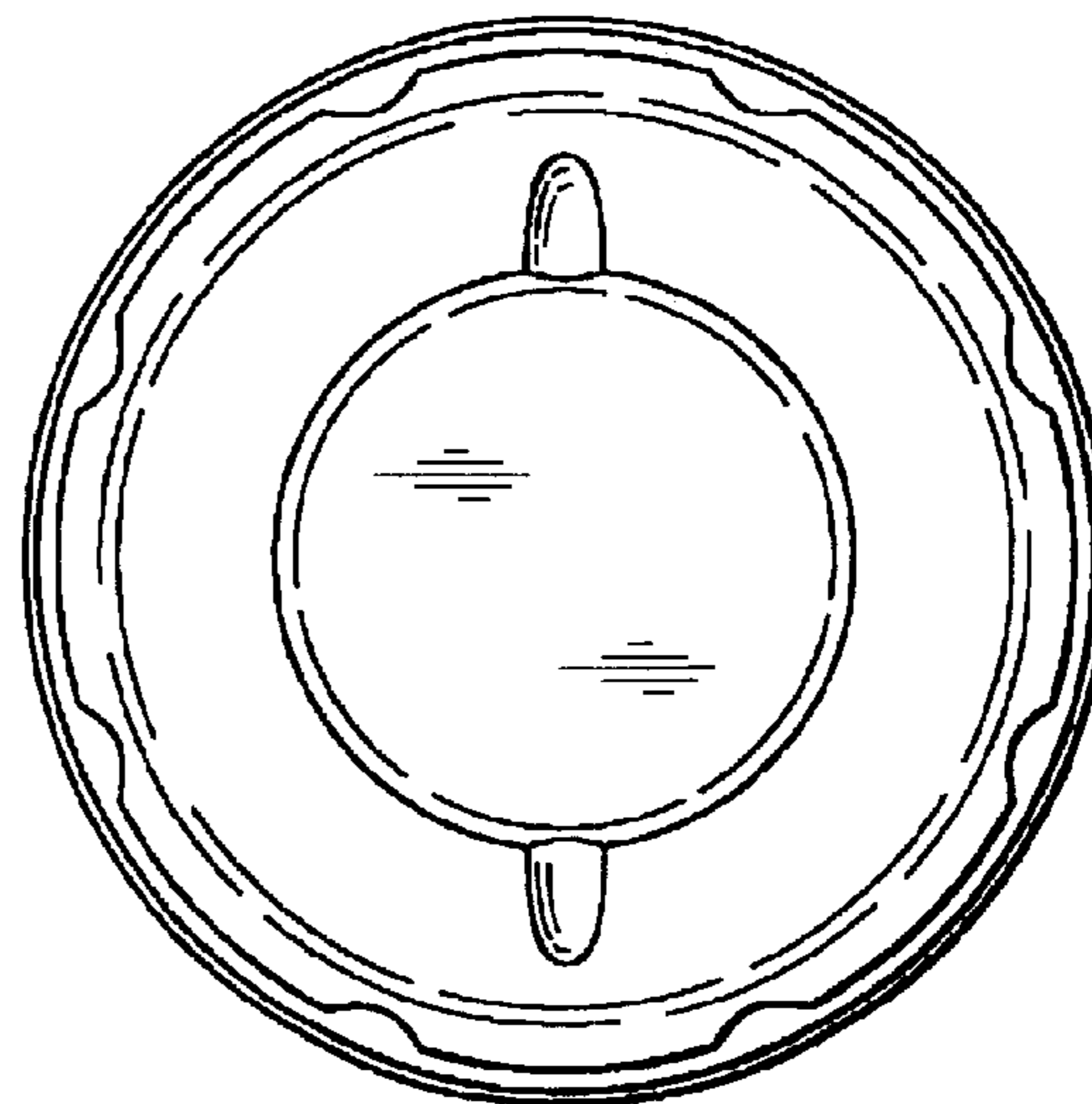


FIG. 9

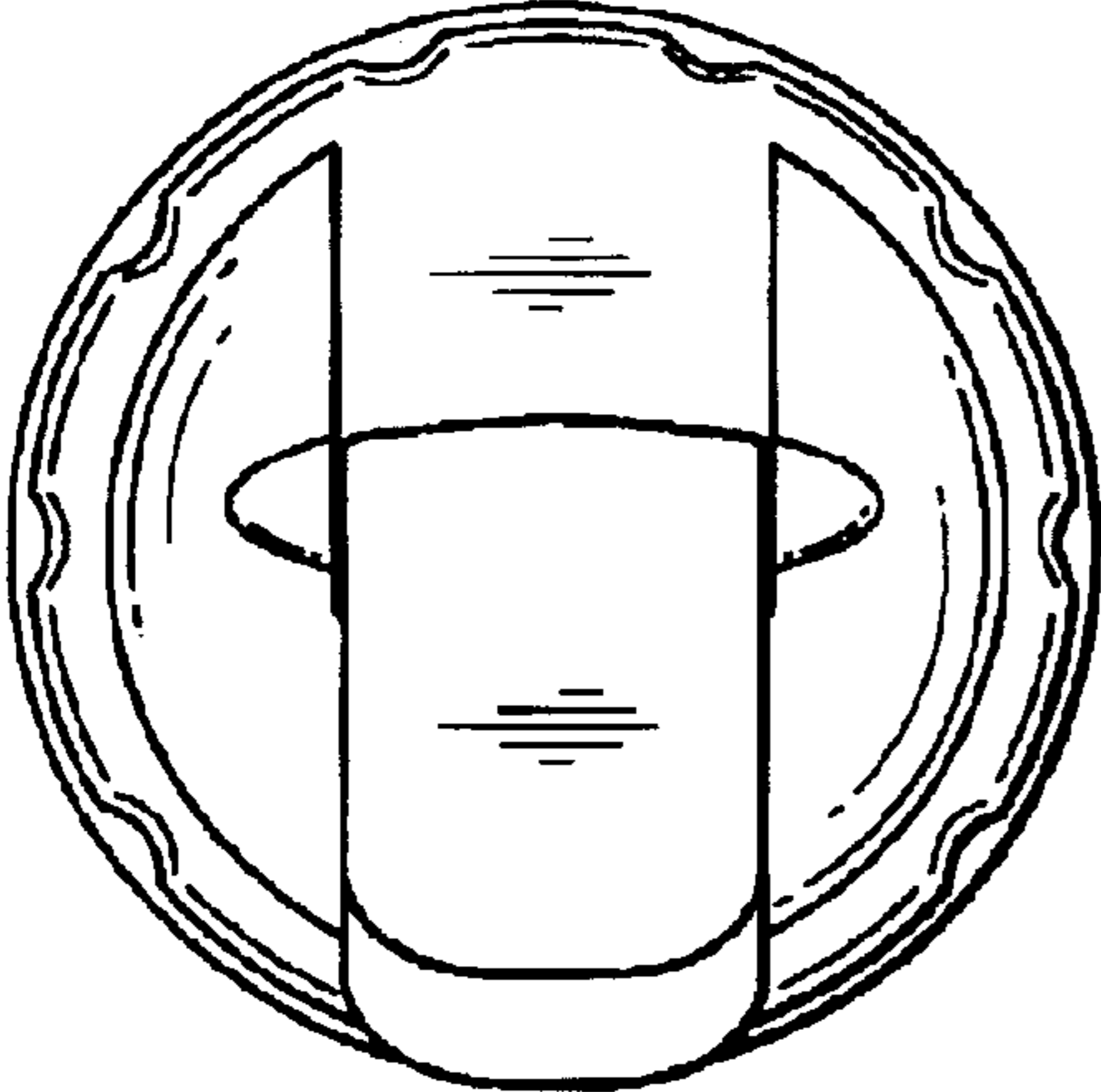


FIG. 10

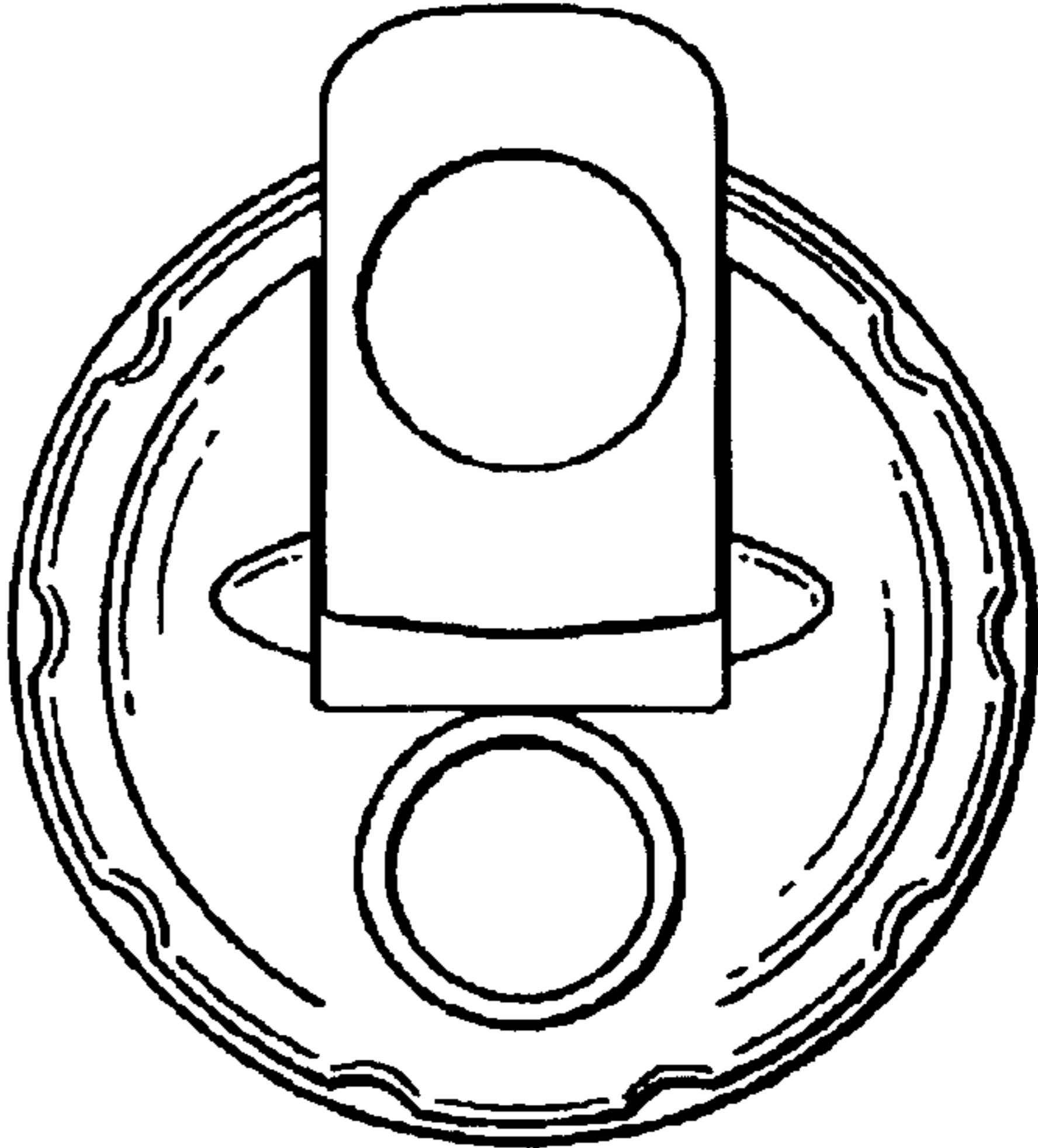


FIG. 11

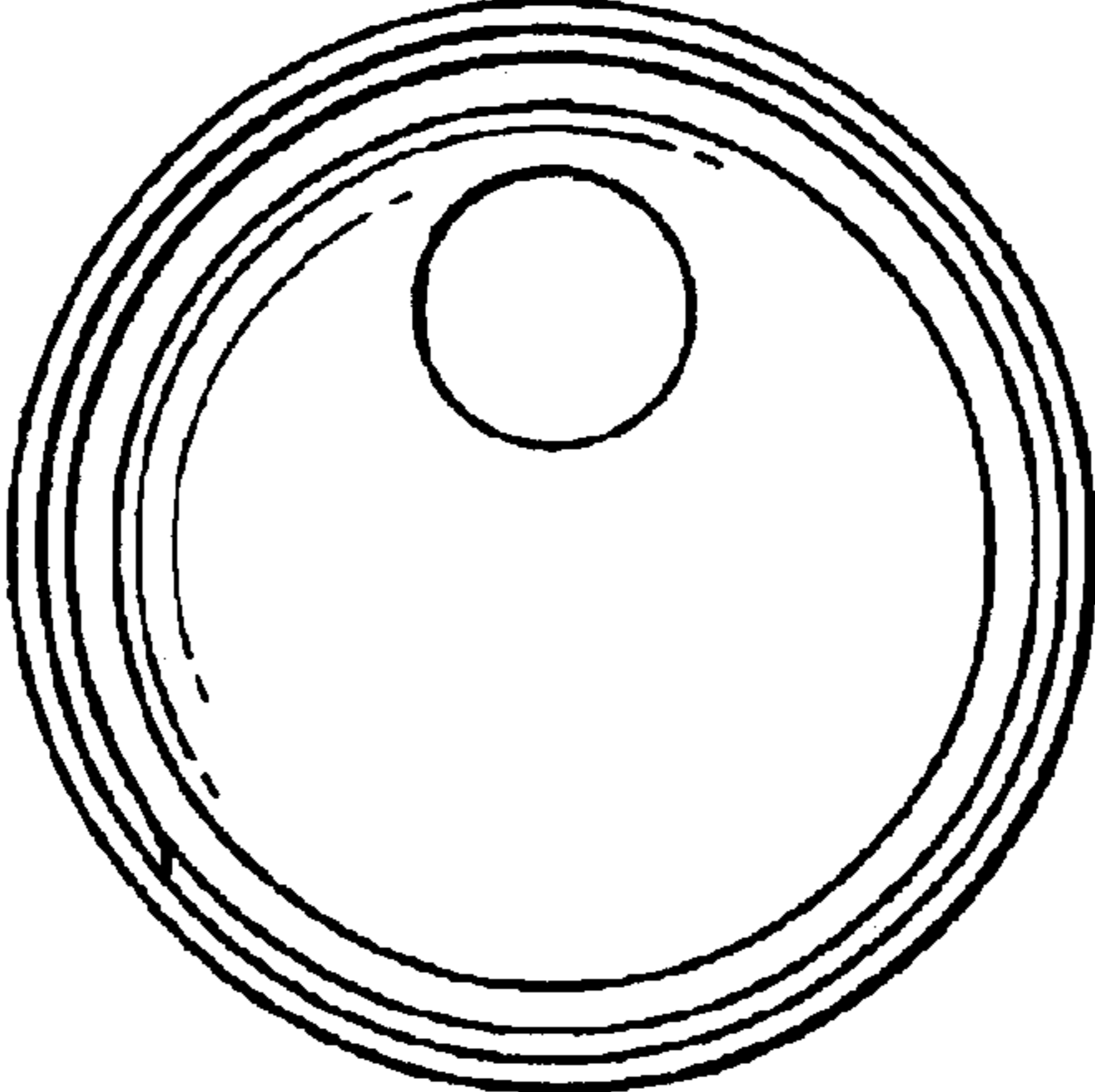


FIG. 12