

US00D496219S1

(12) **United States Design Patent** (10) **Patent No.:** **US D496,219 S**
Rae (45) **Date of Patent:** **** Sep. 21, 2004**

(54) **HANDLE FOR ARTICLE OF COOKWARE**

D446,079 S * 8/2001 Rae D7/395
D447,383 S * 9/2001 Rae D7/395
D461,363 S 8/2002 Law D7/395

(75) Inventor: **Robert Rae, Kowloon (HK)**

(73) Assignee: **Meyer Intellectual Properties Limited, Kowloon (HK)**

(**) Term: **14 Years**

(21) Appl. No.: **29/196,267**

(22) Filed: **Dec. 22, 2003**

Related U.S. Application Data

(62) Division of application No. 29/173,818, filed on Jan. 7, 2003.

(51) **LOC (7) Cl.** **07-02**

(52) **U.S. Cl.** **D7/395**

(58) **Field of Search** D7/393, 395, 401.2, D7/354-361; D8/107; 16/110.1, 430, 431, 436; 220/573.1-573.5, 752, 753, 757, 759, 769, 771, 912

(56) **References Cited**

U.S. PATENT DOCUMENTS

4,794,666 A 1/1989 Kim 220/753
4,926,521 A * 5/1990 Gagnepain 16/430
D392,151 S * 3/1998 Munari D7/395
D417,121 S * 11/1999 Brunianyn D7/395

OTHER PUBLICATIONS

Kitchen Etc Circular, 2/01, Handle for Griddle.

* cited by examiner

Primary Examiner—Terry A. Wallace

(74) *Attorney, Agent, or Firm*—Wood, Herron & Evans, L.L.P.

(57) **CLAIM**

The ornamental design for a handle for article of cookware, as shown and described.

DESCRIPTION

FIG. 1 is a front perspective view of a handle for article of cookware incorporating the design of my invention.

FIG. 2 is a top view of the handle shown in FIG. 1.

FIG. 3 is a bottom view of the handle shown in FIG. 1.

FIG. 4 is a side view of the handle shown in FIG. 1.

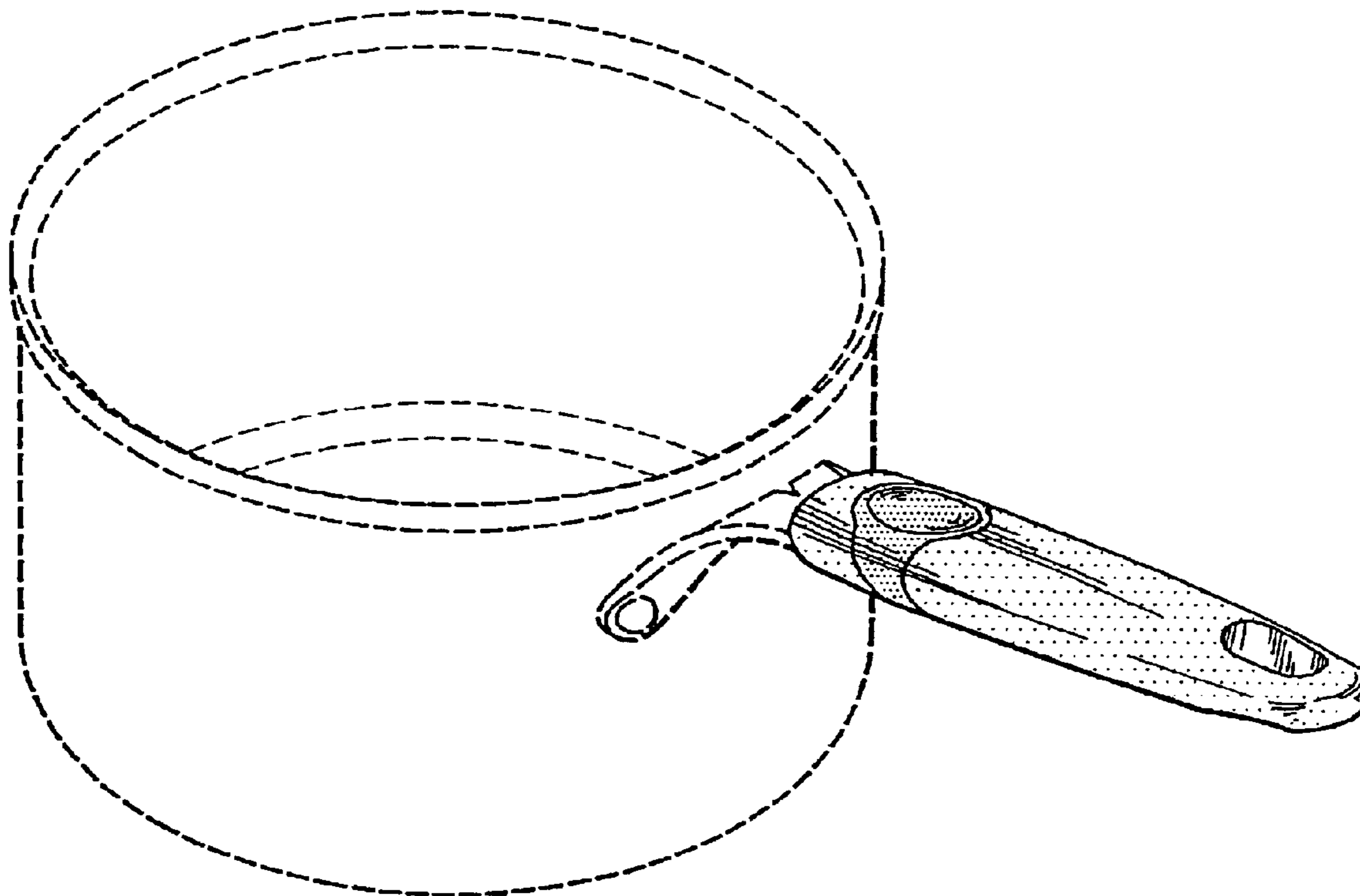
FIG. 5 is another side view of the handle shown in FIG. 1.

FIG. 6 is a front view of the handle shown in FIG. 1; and,

FIG. 7 is a rear view of the handle shown in FIG. 1.

The part of the drawings shown in phantom lines depicts the environment of my new design and forms no part of my design.

1 Claim, 6 Drawing Sheets



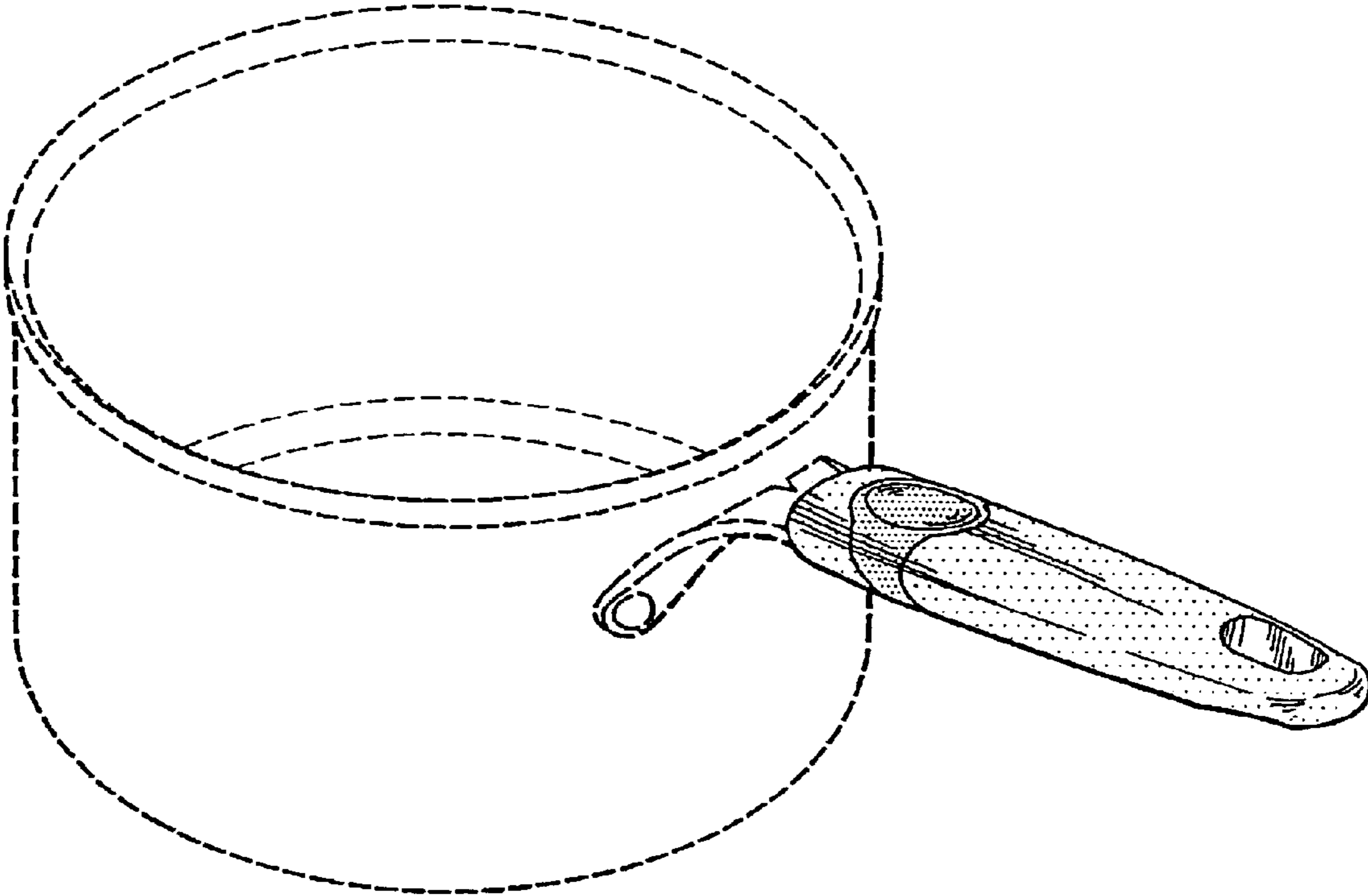


FIG. 1

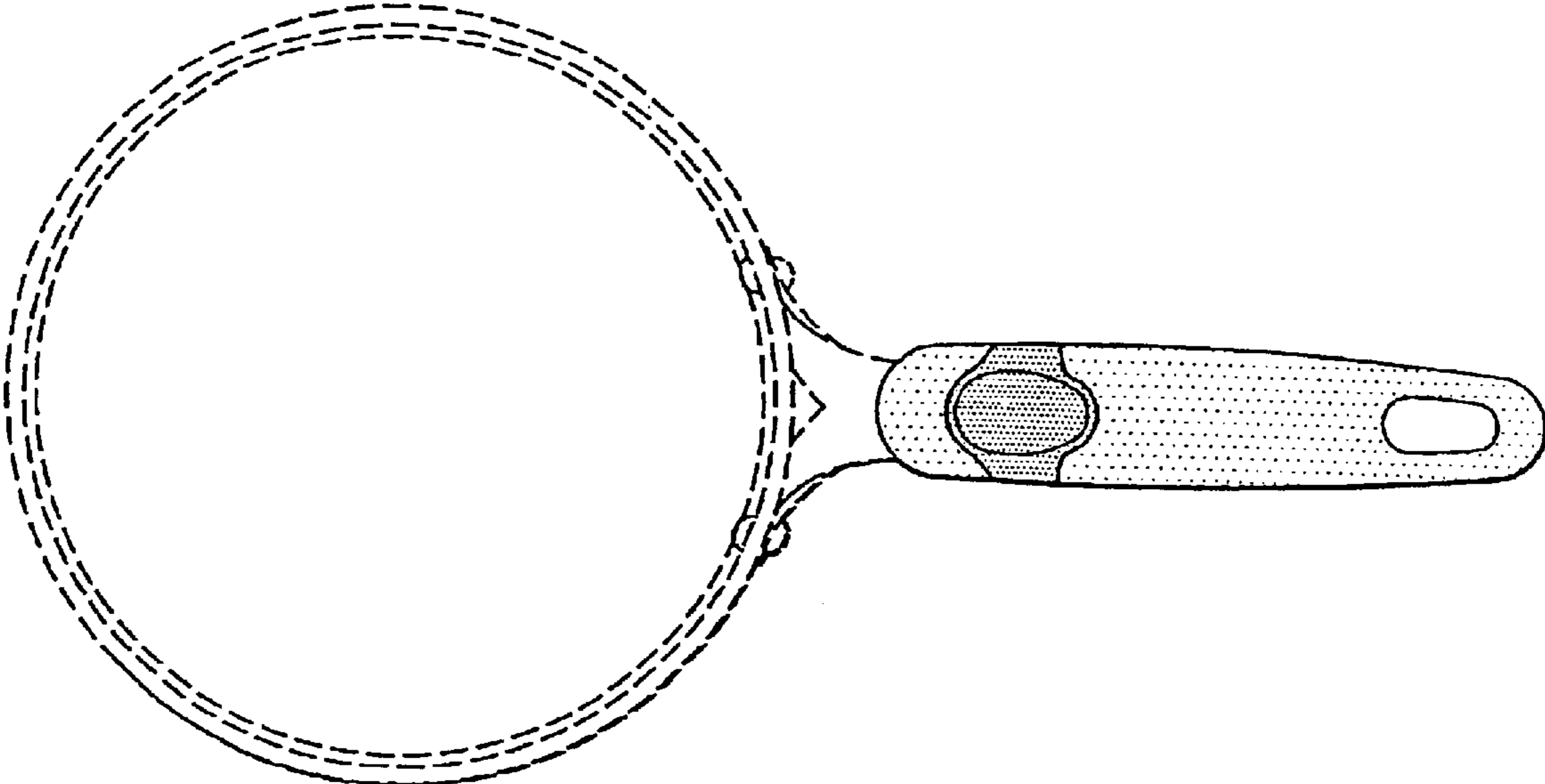


FIG. 2

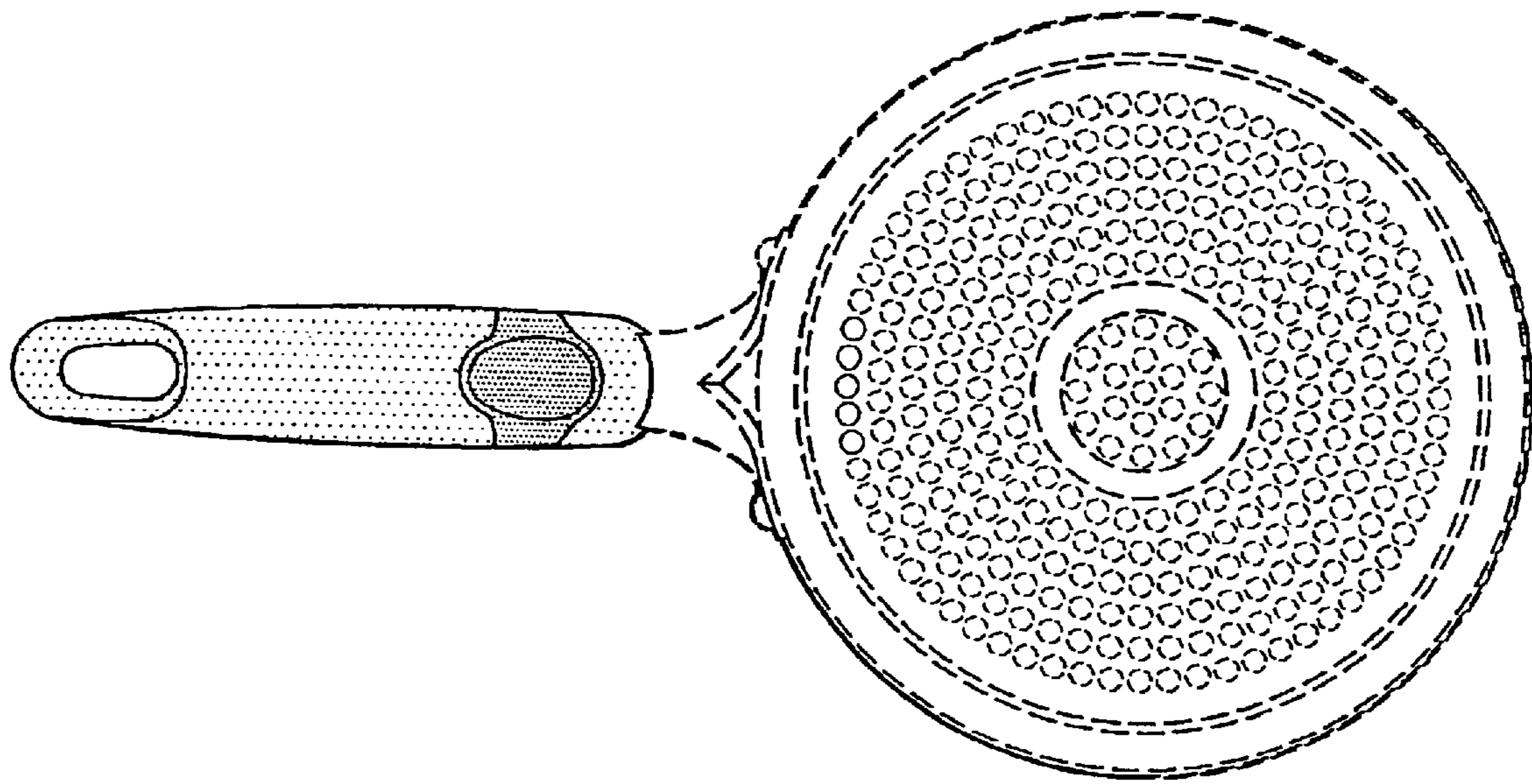


FIG. 3

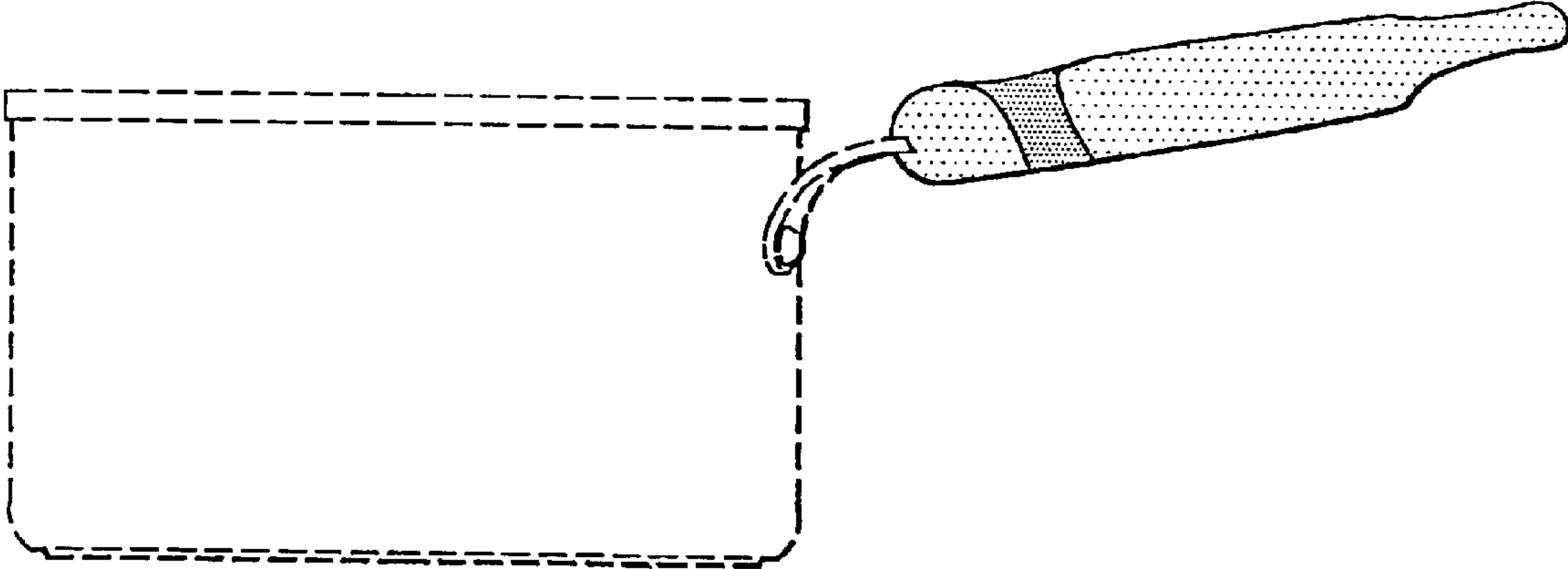


FIG. 4

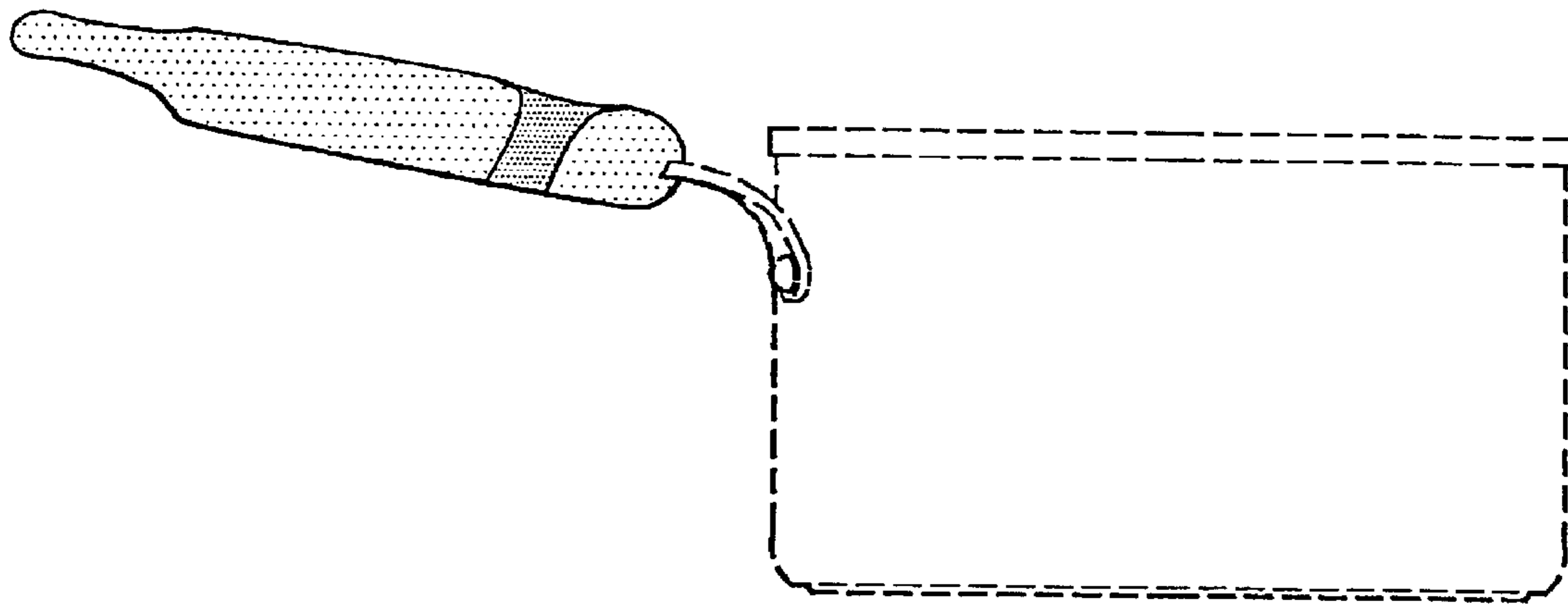


FIG. 5

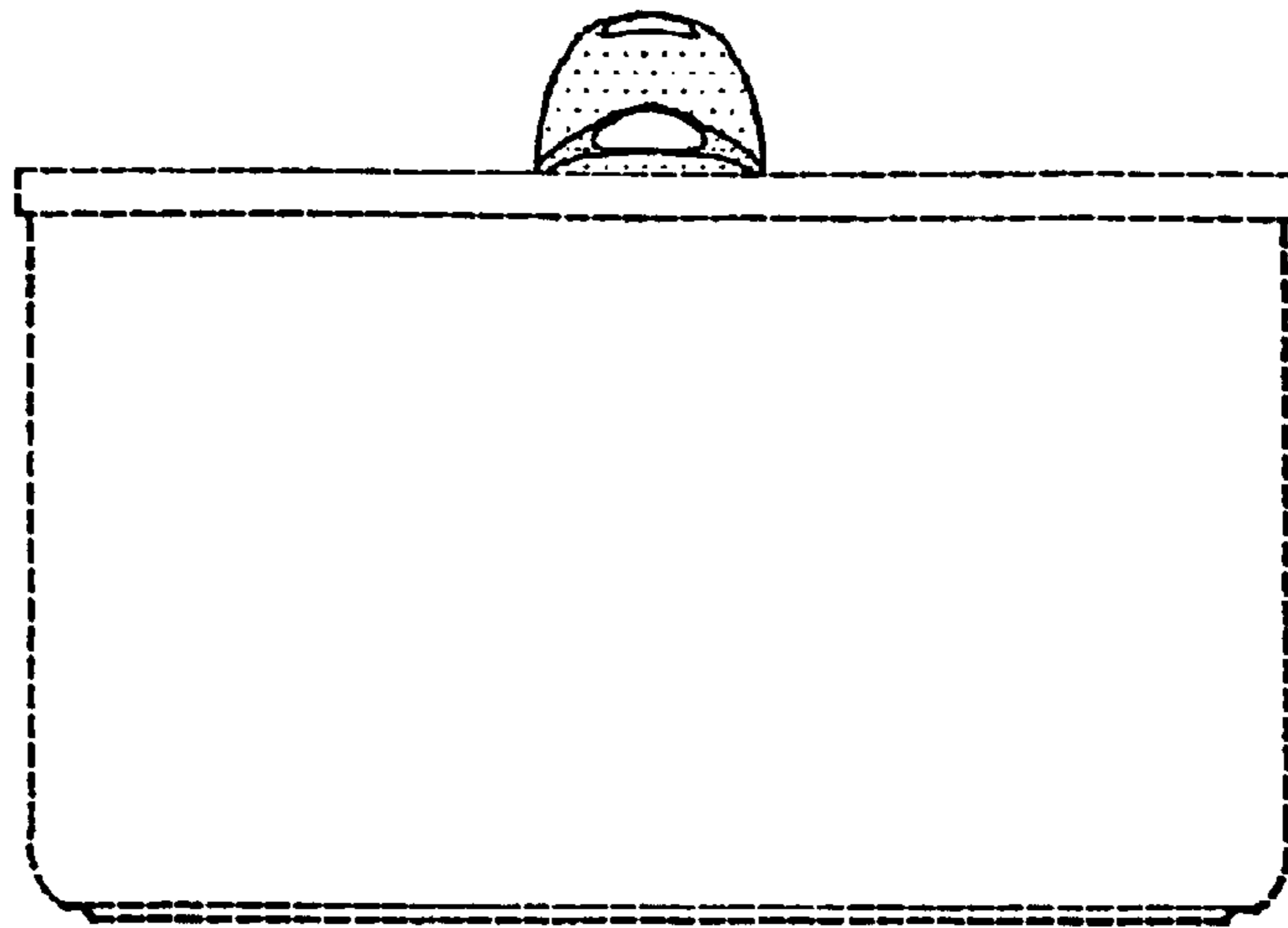


FIG. 6

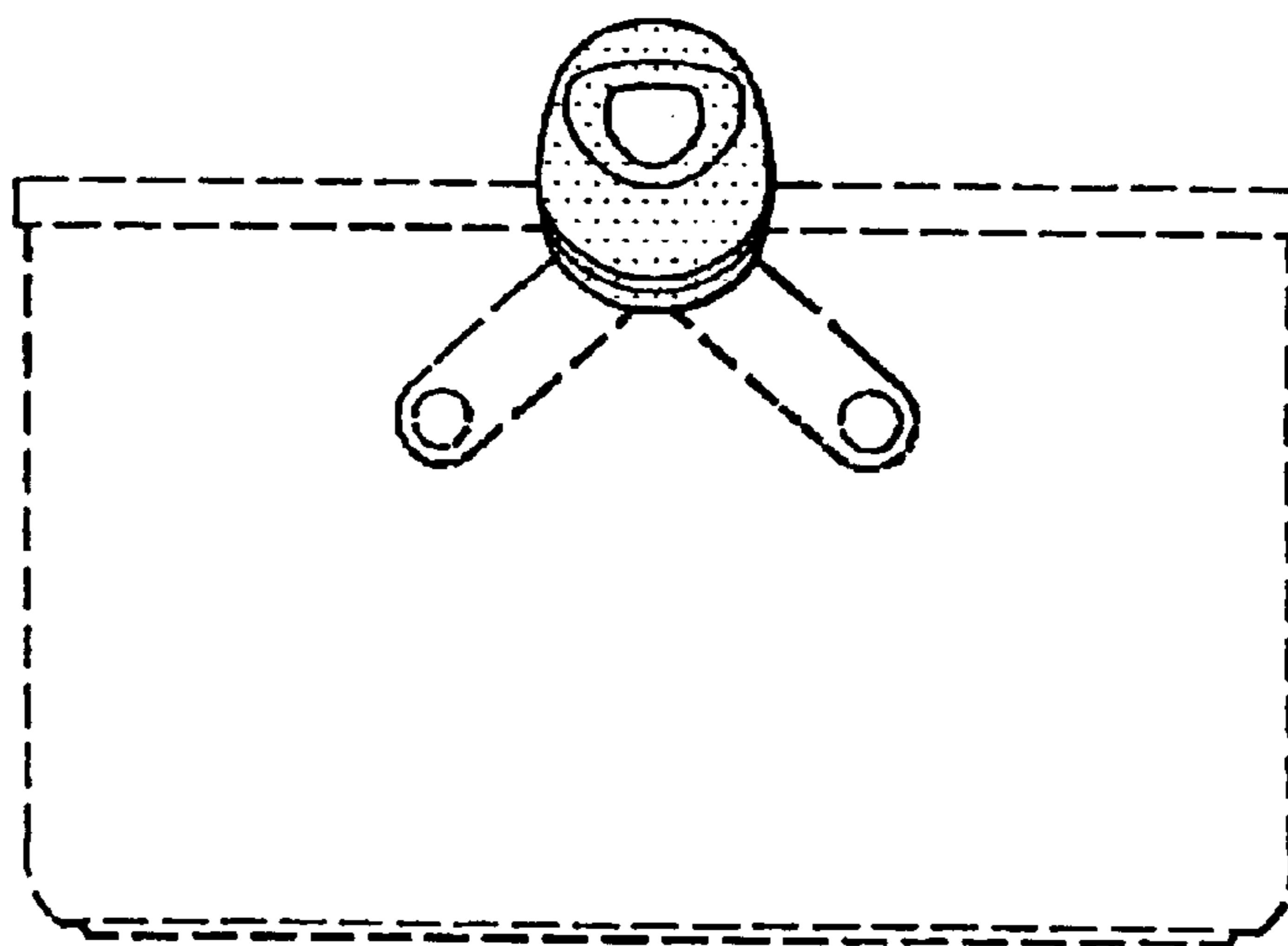


FIG. 7