

US00D496217S1

(12) **United States Design Patent**
Sun

(10) **Patent No.:** **US D496,217 S**

(45) **Date of Patent:** **** Sep. 21, 2004**

(54) **HANDLE**

D433,873 S * 11/2000 Yu D7/395
6,234,662 B1 * 5/2001 Blake 366/129

(75) Inventor: **Lionel Sun**, Sheung Wan (HK)

* cited by examiner

(73) Assignee: **Lico (H.K.) Manufacturing Limited**
(HK)

Primary Examiner—Terry A. Wallace
(74) *Attorney, Agent, or Firm*—Rabin & Berdo, P.C.

(**) Term: **14 Years**

(57) **CLAIM**

(21) Appl. No.: **29/193,268**

The ornamental design for a handle, as shown and described.

(22) Filed: **Nov. 7, 2003**

DESCRIPTION

(51) **LOC (7) Cl.** **07-04**

FIG. 1 shows the handle in its intended use, the broken line showing of environment being for illustrative purposes only and forming no part of the claimed design;

(52) **U.S. Cl.** **D7/393**

FIG. 2 is a front view thereof;

(58) **Field of Search** D7/393, 395, 401.2,
D7/681-696; D8/98, 107; 16/110.1, 430,
431; 30/306, 307

FIG. 3 is a rear view thereof;

FIG. 4 is a top plan view thereof;

FIG. 5 is a bottom plan view thereof;

FIG. 6 is a left side view thereof; and,

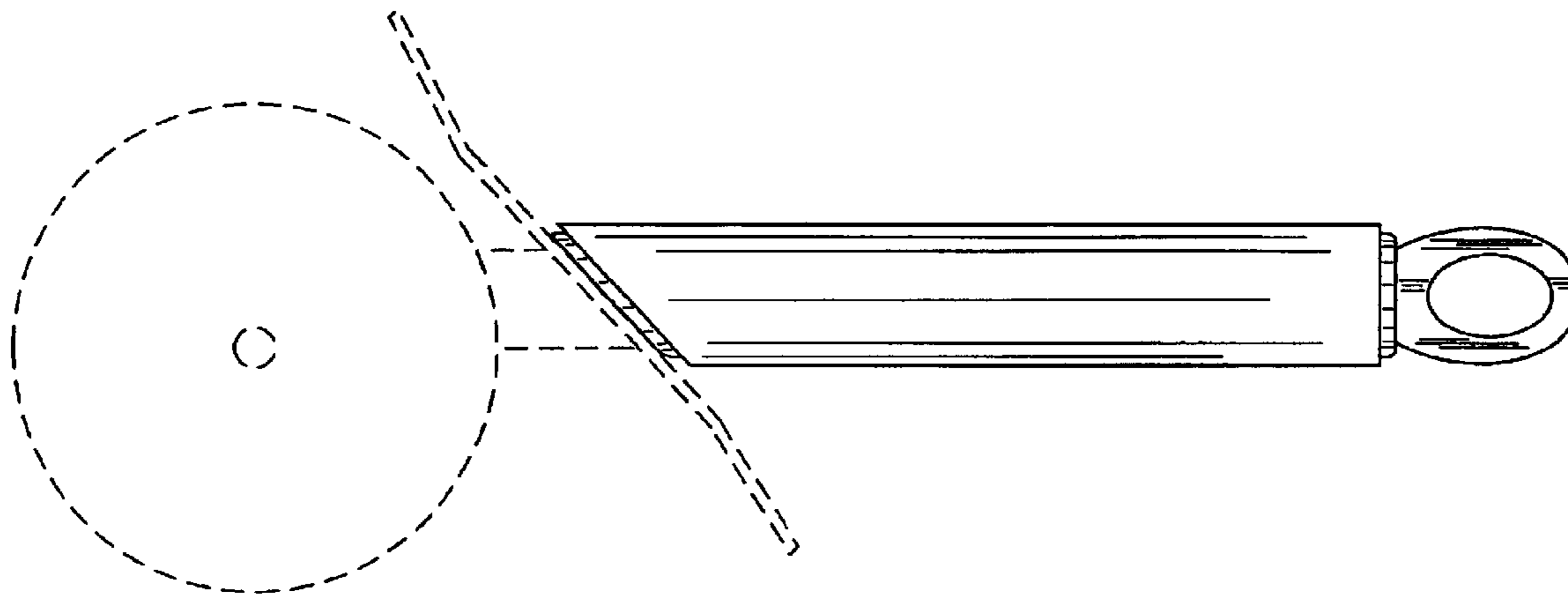
FIG. 7 is a right side view thereof.

(56) **References Cited**

U.S. PATENT DOCUMENTS

D424,869 S * 5/2000 Chau D7/395

1 Claim, 4 Drawing Sheets



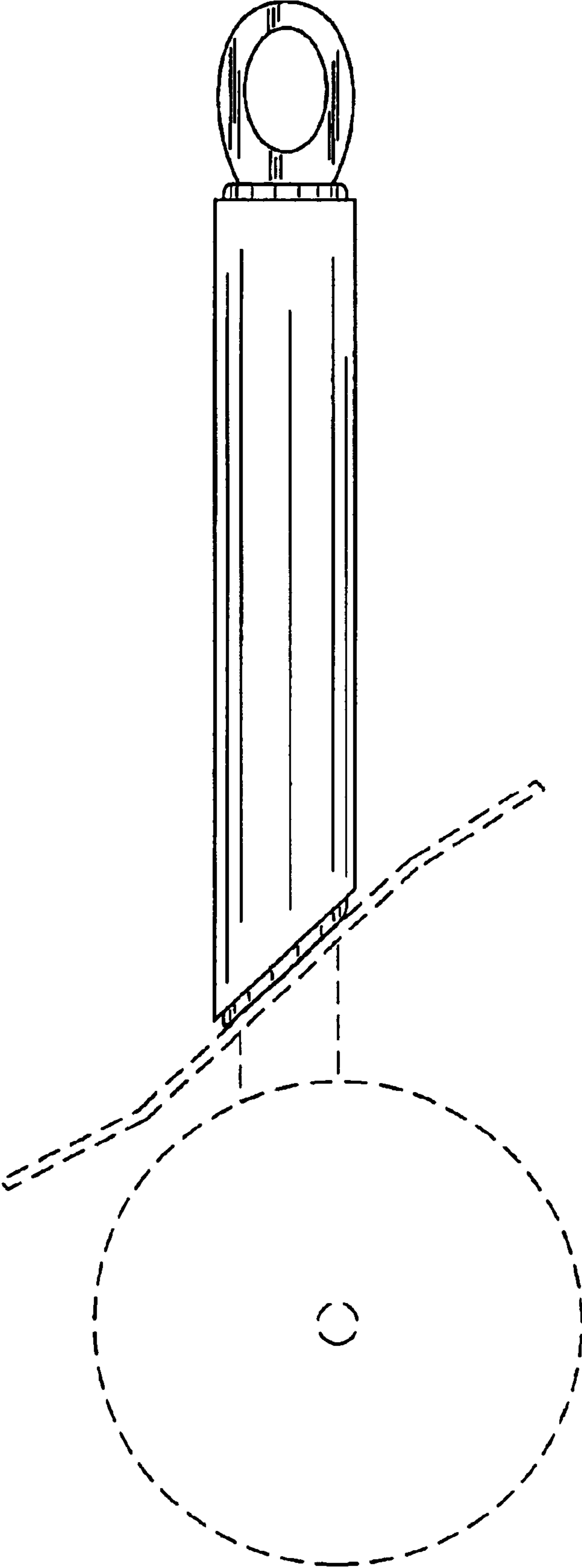


FIGURE 1

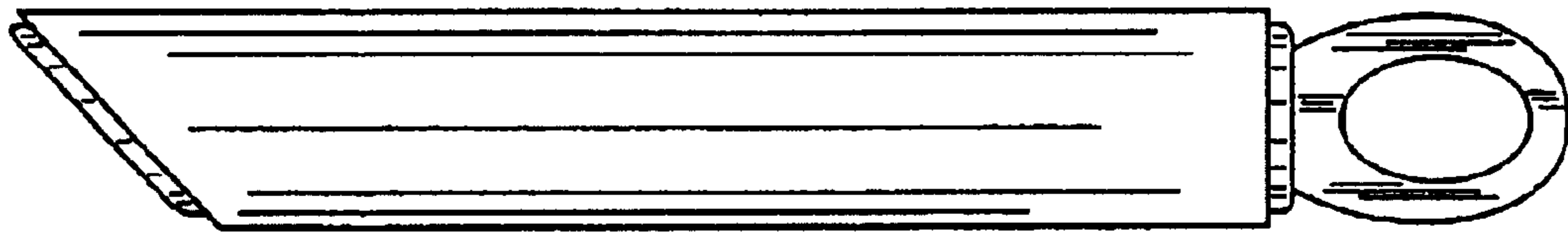


FIGURE 2

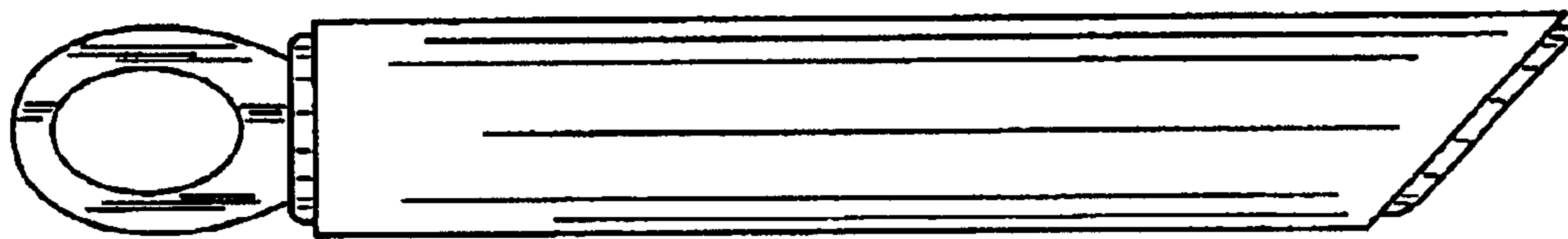


FIGURE 3

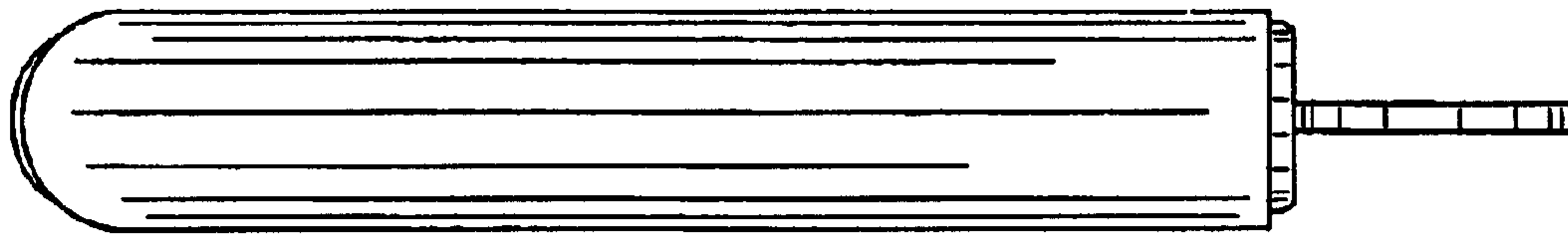


FIGURE 4

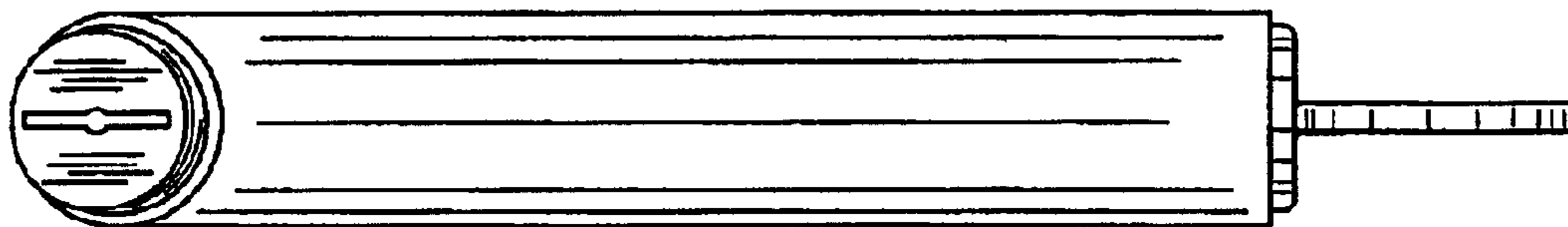


FIGURE 5

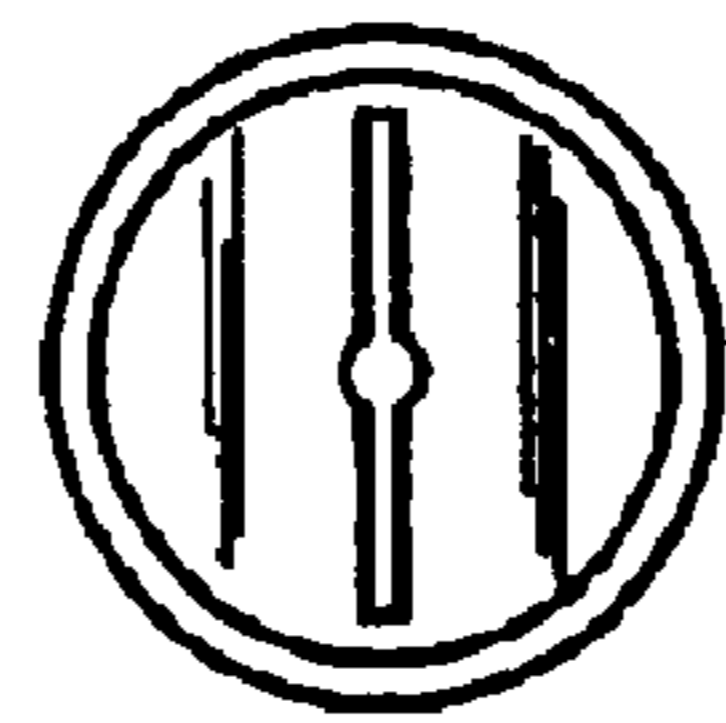


FIGURE 6

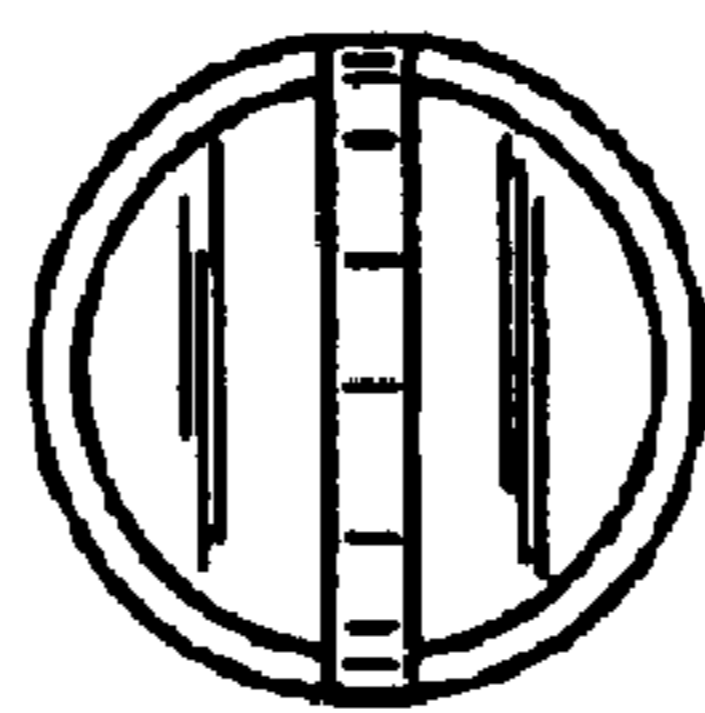


FIGURE 7