

US00D496215S1

(12) **United States Design Patent** (10) **Patent No.:** **US D496,215 S**
Babkes (45) **Date of Patent:** **** Sep. 21, 2004**

(54) **CARAFE**

(75) **Inventor:** **Mitchell H. Babkes**, Saugus, CA (US)

(73) **Assignee:** **Sylmark Holdings Limited**, Dublin (IE)

(**) **Term:** **14 Years**

(21) **Appl. No.:** **29/200,628**

(22) **Filed:** **Mar. 1, 2004**

(30) **Foreign Application Priority Data**
 Sep. 1, 2003 (CN) 03340267

(51) **LOC (7) Cl.** **07-01**

(52) **U.S. Cl.** **D7/319; D7/317**

(58) **Field of Search** D7/304, 373, 310, D7/309, 316, 317, 312, 300; D23/207; 99/307, 282, 280, 281, 292, 293; 210/118, 481, 131; 219/436; 220/318, 912, 592.16, 4.01; 222/465.1; 215/12.1

2,675,754 A 4/1954 Huck
 2,687,469 A 8/1954 Koci
 2,692,937 A 10/1954 Clark
 2,694,769 A 11/1954 Huck et al.
 2,729,159 A 1/1956 Huck et al. 99/281
 2,741,975 A 4/1956 Kueser 99/281
 2,824,509 A 2/1958 Trogden
 2,825,792 A 3/1958 Logan
 2,829,584 A 4/1958 Jepson
 2,845,018 A 7/1958 Turke, Sr.
 2,885,949 A 5/1959 Curtis et al.
 3,077,156 A 2/1963 Egi et al.
 3,130,663 A 4/1964 Wickenberg et al.
 3,224,360 A 12/1965 Wickenberg et al.
 3,316,388 A 4/1967 Wickenberg et al.
 3,334,573 A 8/1967 Kanemaru et al.
 3,638,555 A 2/1972 Manciola
 3,670,641 A 6/1972 Manciola
 D236,178 S * 8/1975 Young D7/317
 4,251,004 A * 2/1981 Sun 220/4.01

(List continued on next page.)

Primary Examiner—M. N. Pandozzi
 (74) *Attorney, Agent, or Firm*—Kathy Mojibi Kavcioglu

(56) **References Cited**

U.S. PATENT DOCUMENTS

2,345,265 A 3/1944 Jepson et al.
 2,370,096 A 2/1945 Walder et al.
 2,385,694 A 9/1945 Davis, Jr.
 2,387,322 A 10/1945 Fancis 99/292
 2,448,096 A 8/1948 Hardin
 2,458,640 A 1/1949 Reichold 99/281
 2,496,237 A 1/1950 Smith
 2,507,283 A 5/1950 Strother
 2,513,594 A 7/1950 Snyder
 2,543,528 A 2/1951 Kaufmann
 2,544,324 A 3/1951 Jepson
 2,551,563 A 5/1951 Jepson
 2,567,187 A 9/1951 Davis, Jr.
 2,567,188 A 9/1951 Davis, Jr.
 2,573,273 A 10/1951 Wilcox
 2,576,432 A 11/1951 Wilcox
 2,625,642 A 1/1953 Davis, Jr.
 2,651,707 A 9/1953 Jepson
 2,664,811 A 1/1954 Jepson

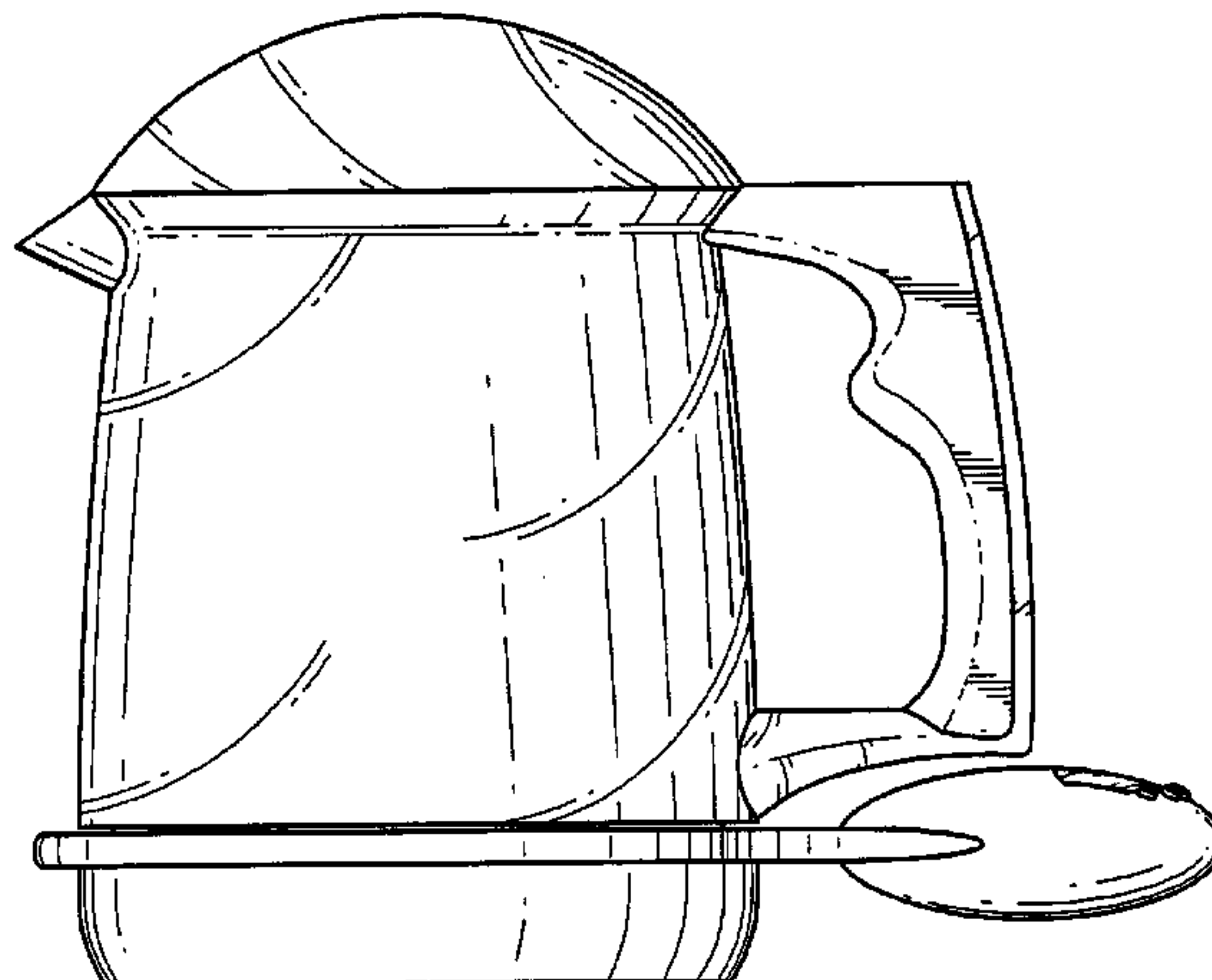
(57) **CLAIM**

The ornamental design for a carafe, as shown and described.

DESCRIPTION

FIG. 1 is a perspective view of a carafe on a base unit showing my new design in accordance with a first embodiment;
 FIG. 2 is a side elevational view thereof;
 FIG. 3 is a front elevational view thereof;
 FIG. 4 is a rear elevational view thereof;
 FIG. 5 is a top plan view thereof;
 FIG. 6 is a bottom plan view thereof; and,
 FIG. 7 is a perspective view of an alternative embodiment of the carafe of the present invention with the base unit shown in broken lines.
 The broken lines in the figures are for illustrative purposes only and form no part of the claimed design.

1 Claim, 6 Drawing Sheets



US D496,215 S

Page 2

U.S. PATENT DOCUMENTS

4,742,767 A	5/1988	Komatsu et al.			
4,825,759 A	* 5/1989	Grome et al.	99/307		
4,841,849 A	6/1989	Shimomura et al.			
4,876,953 A	10/1989	Imamura et al.			
D308,458 S	* 6/1990	Stutzer	D7/317		
D323,951 S	* 2/1992	Inoue	D7/317		
D363,409 S	* 10/1995	Huang	D7/317		
D389,369 S	* 1/1998	Hippen	D7/319		
D438,749 S	3/2001	Joergensen	99/293		
D439,466 S	* 3/2001	Bouhuys	D7/319		
D445,628 S	* 7/2001	McGroary	D7/318		
D461,087 S	* 8/2002	Hatsumoto	D7/318		
D475,233 S	* 6/2003	De Visser	D7/317		
D475,883 S	* 6/2003	Jorgensen	D7/317		
6,578,467 B1	6/2003	Taylor et al.	99/280		
D479,091 S	* 9/2003	Glucksman et al.	D7/319		
D479,939 S	9/2003	Au	99/280		

* cited by examiner



FIG. 1

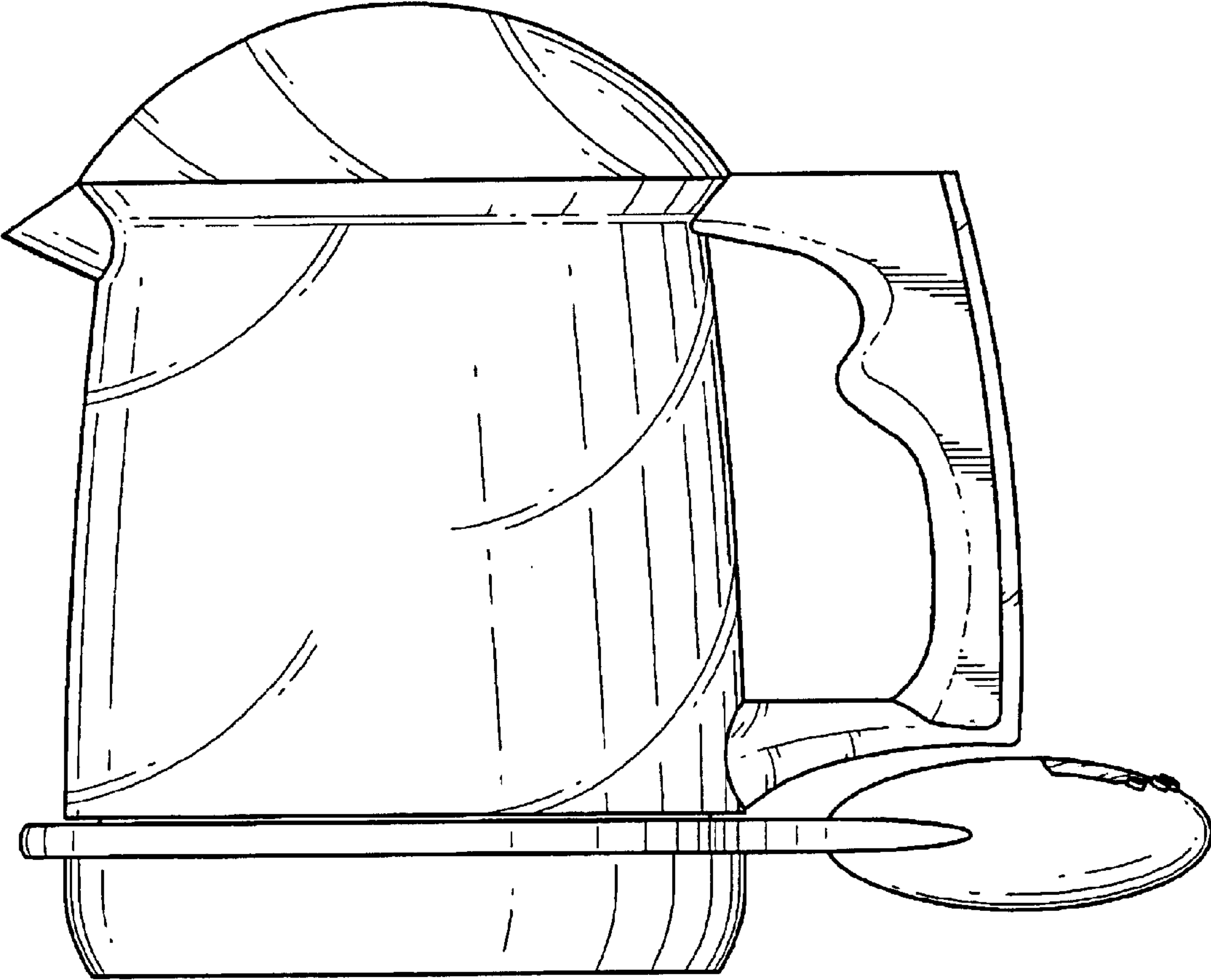


FIG. 2

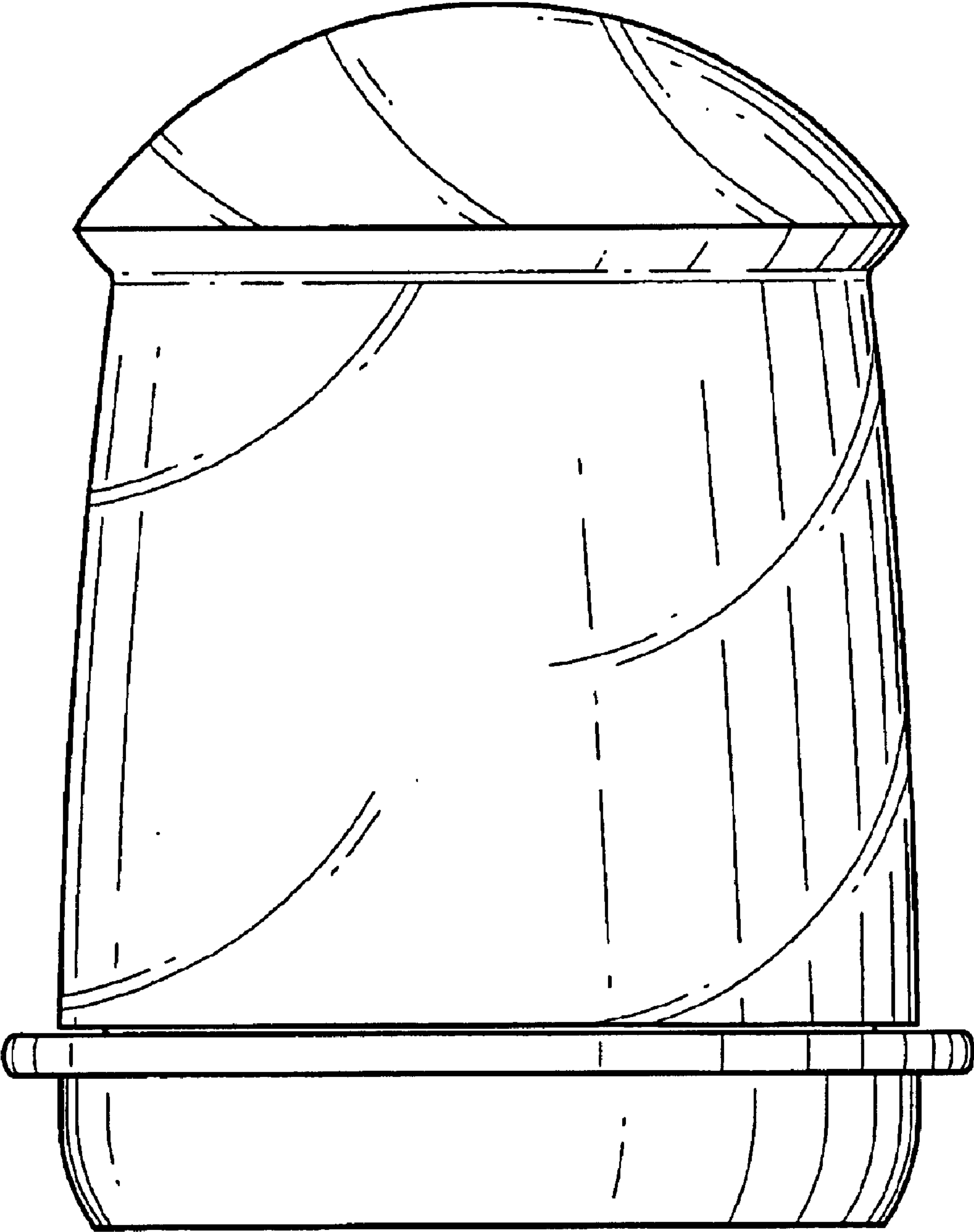


FIG. 3

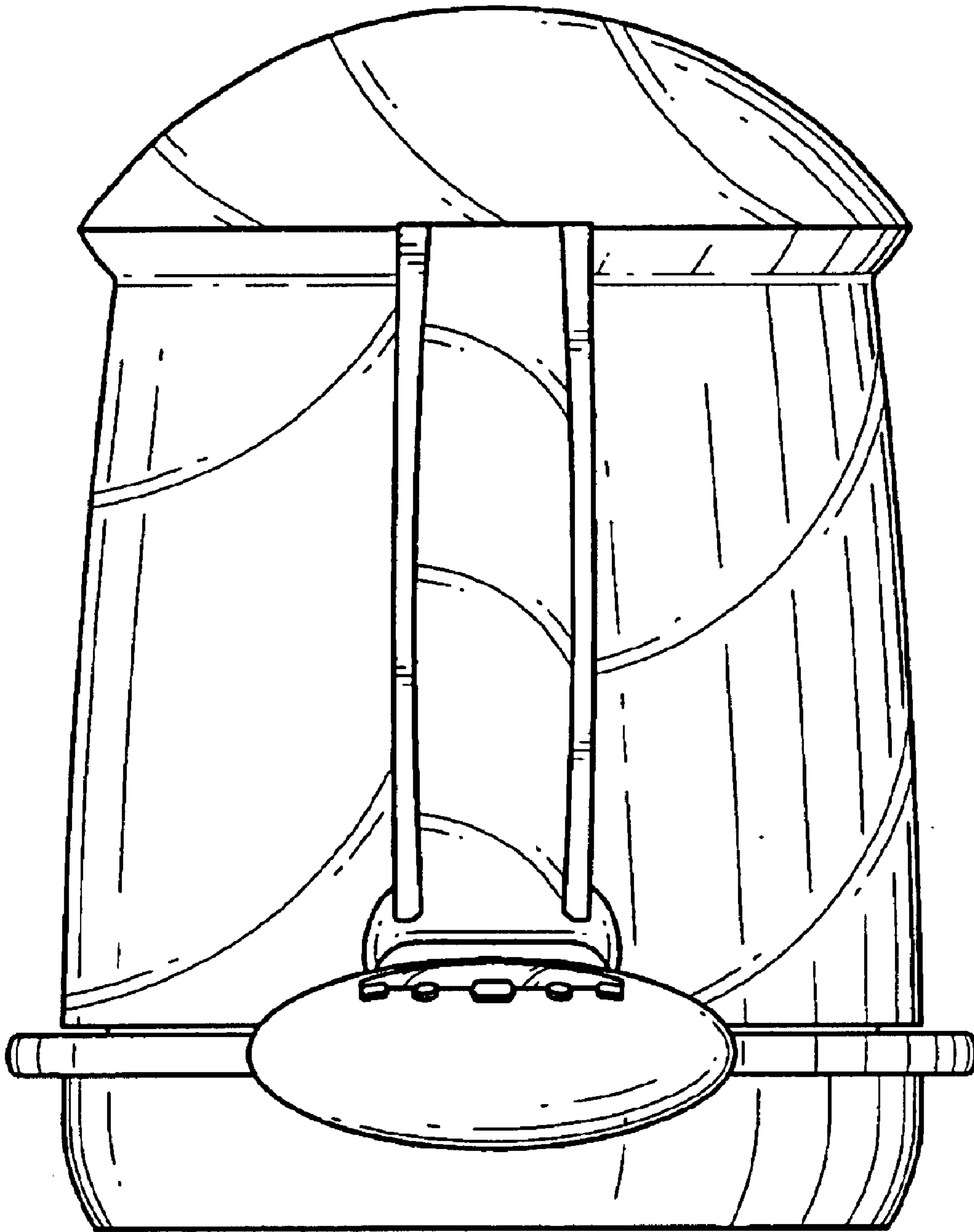


FIG. 4

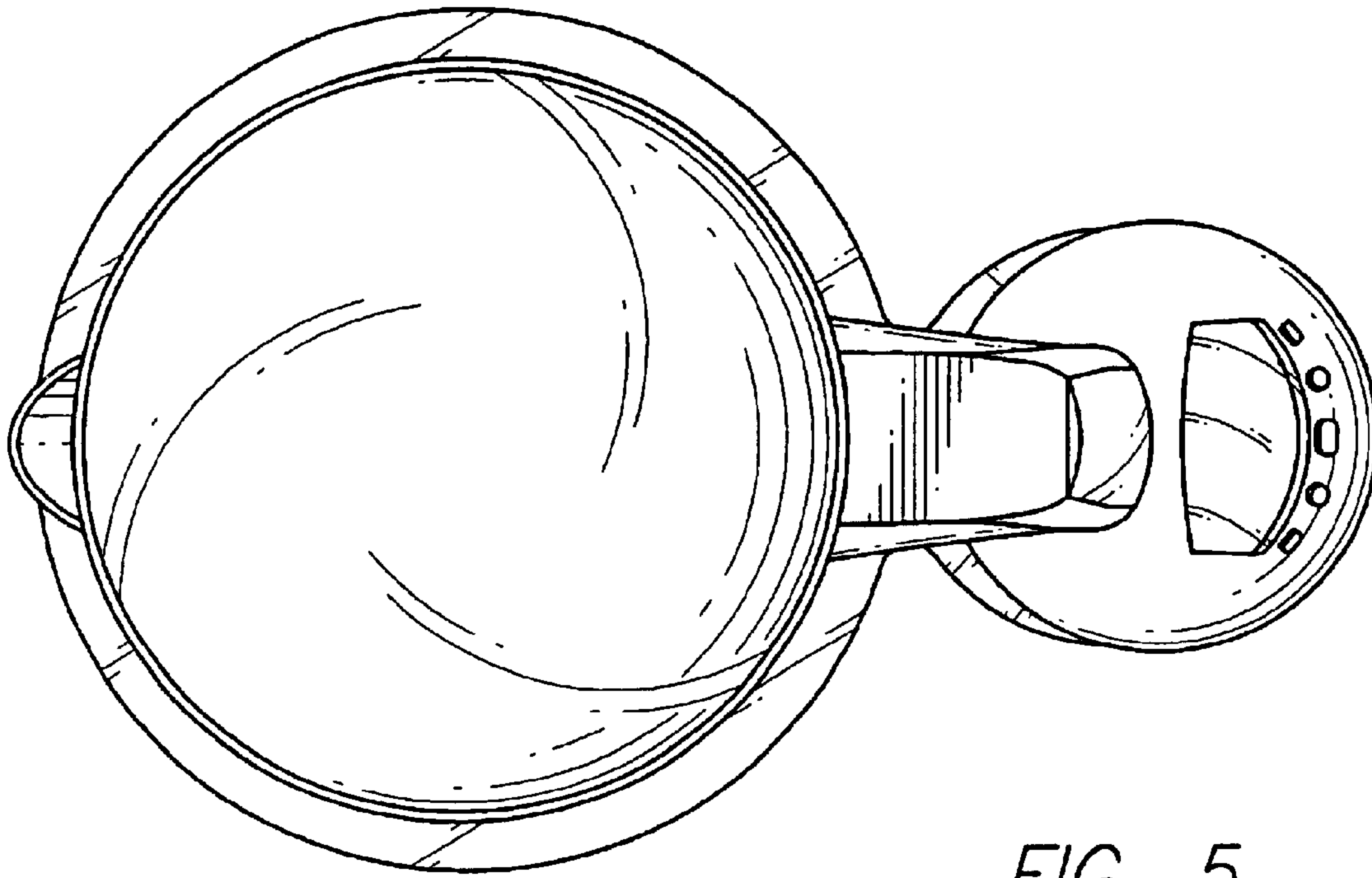


FIG. 5

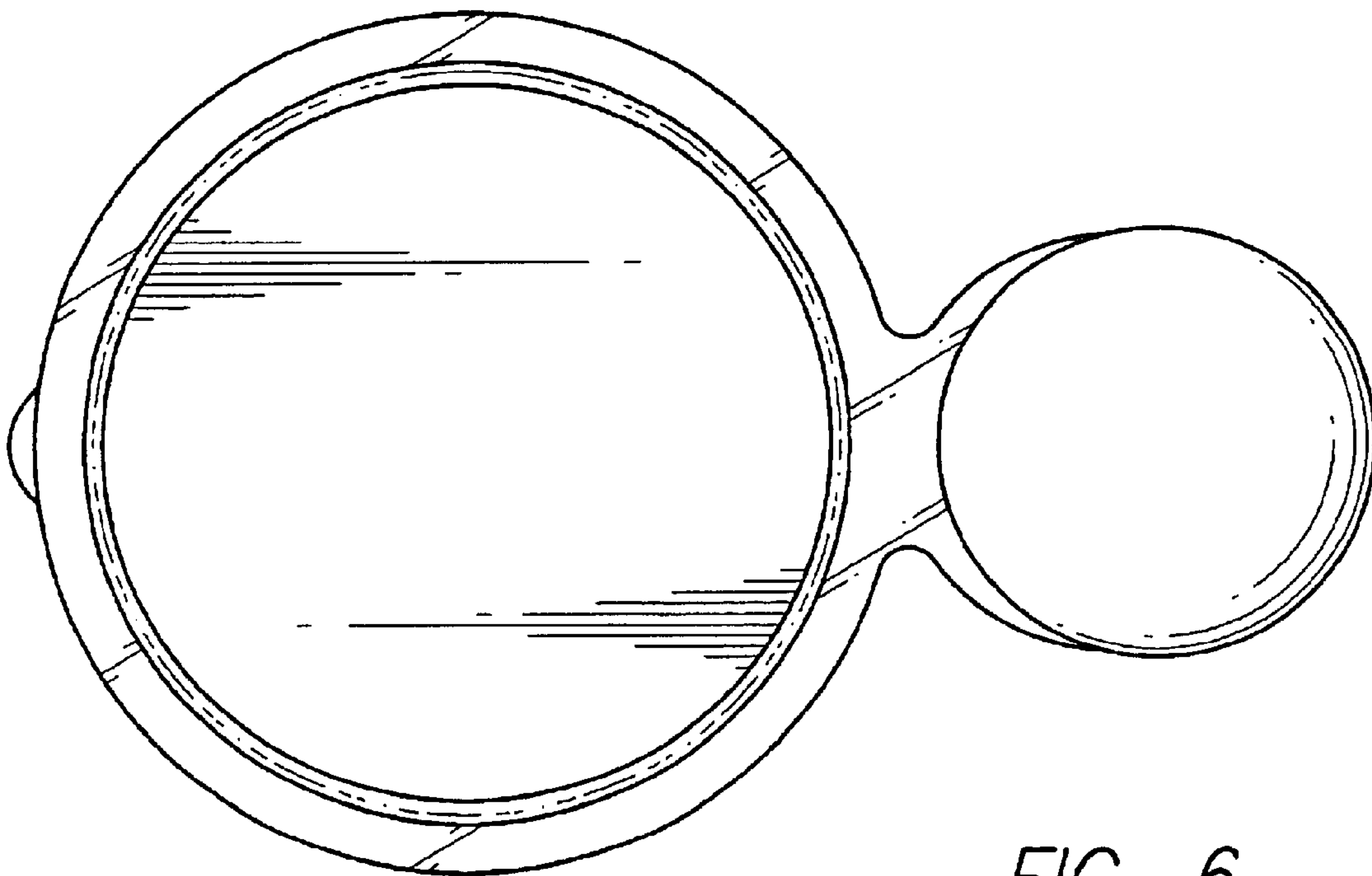


FIG. 6

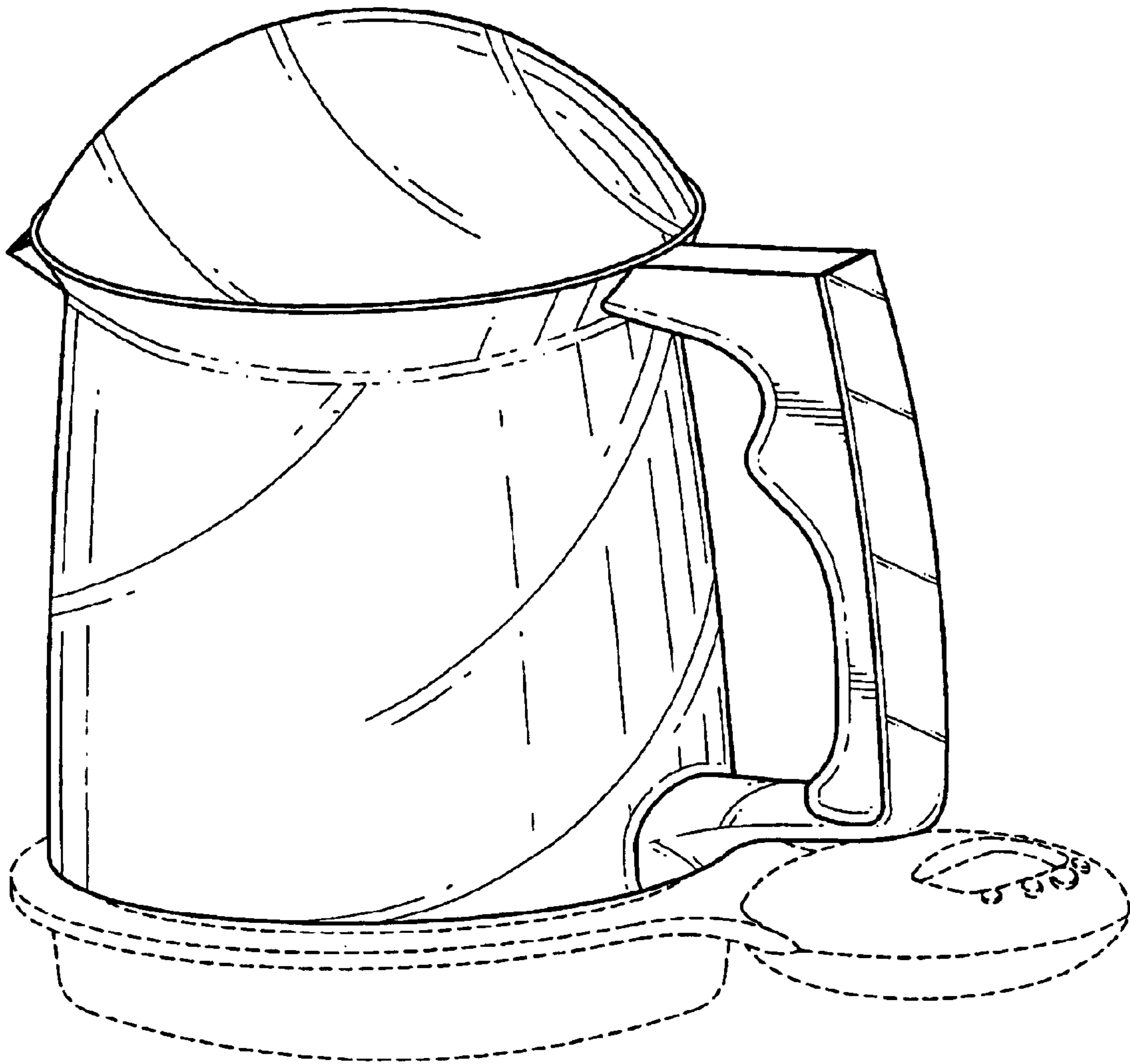


FIG. 7