

US00D496213S1

(12) **United States Design Patent** (10) **Patent No.:** **US D496,213 S**  
**Midden et al.** (45) **Date of Patent:** **\*\* Sep. 21, 2004**

(54) **BEVERAGE BREWER**  
 (75) Inventors: **William E. Midden**, Springfield, IL  
 (US); **Keith G. Nybakke**, Minneapolis,  
 MN (US)  
 (73) Assignee: **Bunn-O-Matic Corporation**,  
 Springfield, IL (US)  
 (\*\*) Term: **14 Years**

(21) Appl. No.: **29/171,745**  
 (22) Filed: **Nov. 27, 2002**

(51) **LOC (7) Cl.** ..... **07-01**  
 (52) **U.S. Cl.** ..... **D7/309; D7/310; D7/311**  
 (58) **Field of Search** ..... D7/300, 309, 310,  
 D7/311, 312, 400; 99/280, 279, 282, 271,  
 284, 295; 392/467; 210/238

(56) **References Cited**  
 U.S. PATENT DOCUMENTS

3,385,201 A	*	5/1968	Martin	.....	99/282
3,513,767 A	*	5/1970	Bloomfield	.....	99/282
3,736,155 A	*	5/1973	Martin	.....	99/282
D229,897 S	*	1/1974	Martin	.....	D7/309
D267,325 S	*	12/1982	Zimmerman et al.	.....	D7/309
D268,977 S	*	5/1983	Marotta	.....	D7/309
D269,488 S	*	6/1983	Marotta	.....	D7/309
D286,848 S		11/1986	Levin		
D290,216 S	*	6/1987	Precht	.....	D7/309
4,676,148 A	*	6/1987	Foley	.....	99/279
D291,525 S	*	8/1987	Classen	.....	D7/309
D299,608 S		1/1989	Knocher		

D300,596 S	*	4/1989	Eugster	.....	D7/309
D303,903 S		10/1989	Ueda et al.		
4,920,868 A		5/1990	Gehrmann	.....	99/279
4,969,392 A		11/1990	Steele et al.	.....	99/282
D313,146 S		12/1990	Precht	.....	D7/309
4,986,171 A		1/1991	Precht	.....	97/271
D314,881 S		2/1991	Wondergrm et al.		
D326,206 S		5/1992	Rakocy et al.		
D329,160 S		9/1992	Choi		
D339,712 S		9/1993	Bunn et al.		
5,251,541 A		10/1993	Anson et al.		
5,377,299 A		12/1994	Anson et al.		
D360,106 S	*	7/1995	Sintchak	.....	D7/400
D439,103 S	*	3/2001	Cruz	.....	D7/309
D454,023 S	*	3/2002	Wang	.....	D7/309

\* cited by examiner

*Primary Examiner*—M. N. Pandozzi  
 (74) *Attorney, Agent, or Firm*—Barnes & Thornburg LLP

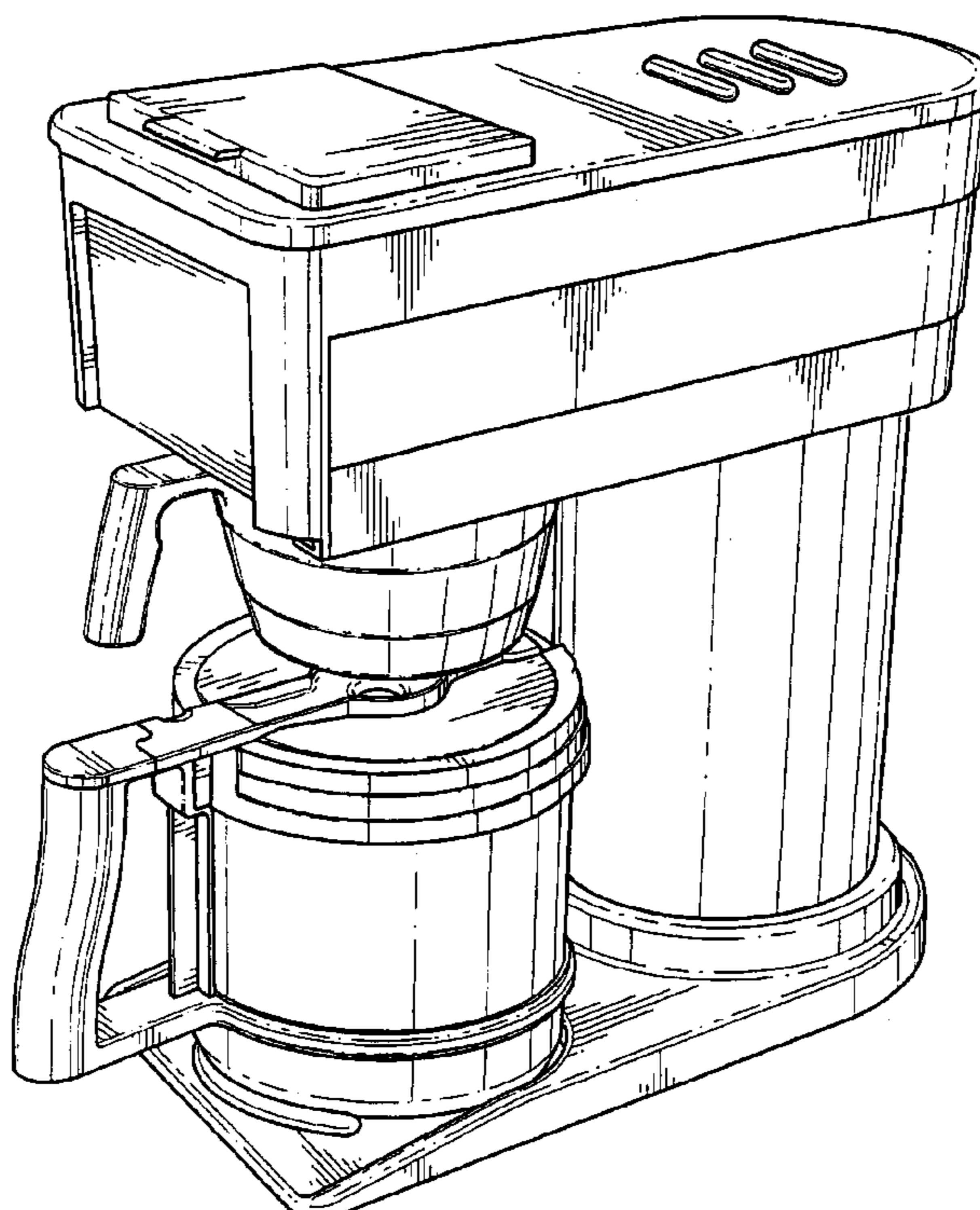
(57) **CLAIM**

What is claimed is the ornamental design for a beverage brewer, as shown and described.

**DESCRIPTION**

FIG. 1 is a perspective view of the beverage brewer;  
 FIG. 2 is a left side elevational view thereof, the right side view is not shown as it is a mirror image of the left side view;  
 FIG. 3 is a top plan view thereof;  
 FIG. 4 is a bottom plan view thereof;  
 FIG. 5 is a front elevational view thereof; and,  
 FIG. 6 is a rear elevational view thereof.

**1 Claim, 4 Drawing Sheets**



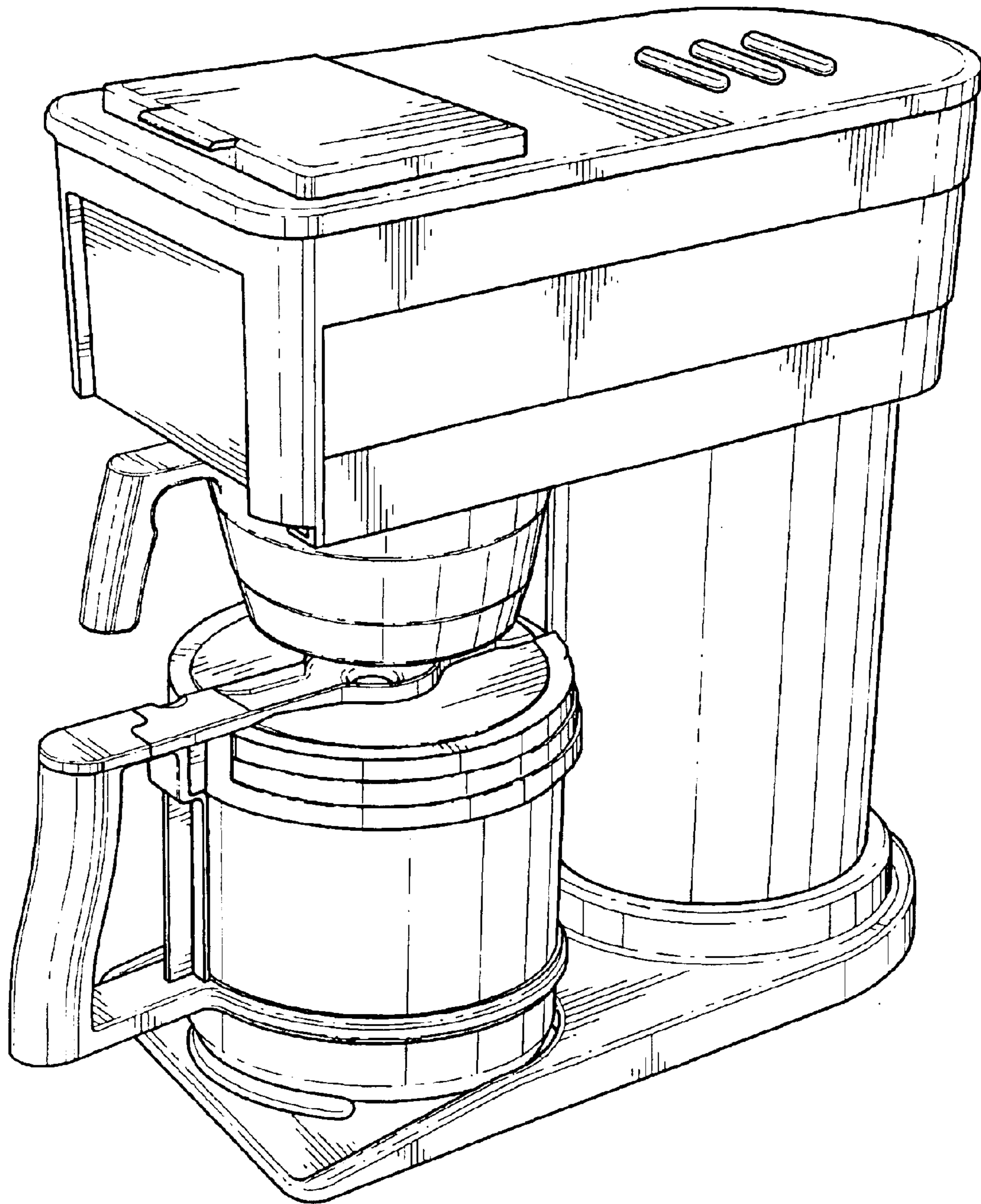


FIG. 1

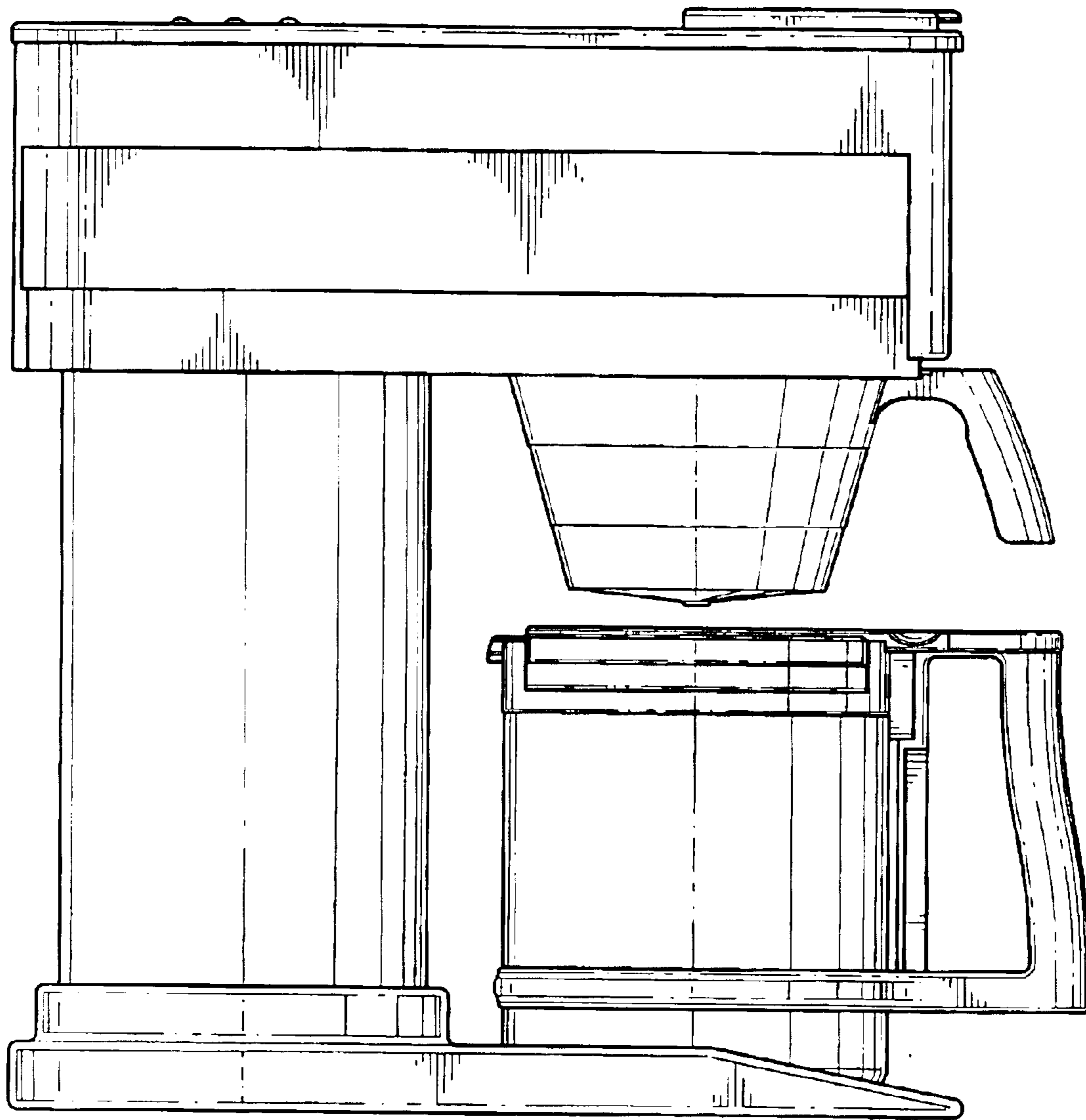


FIG. 2

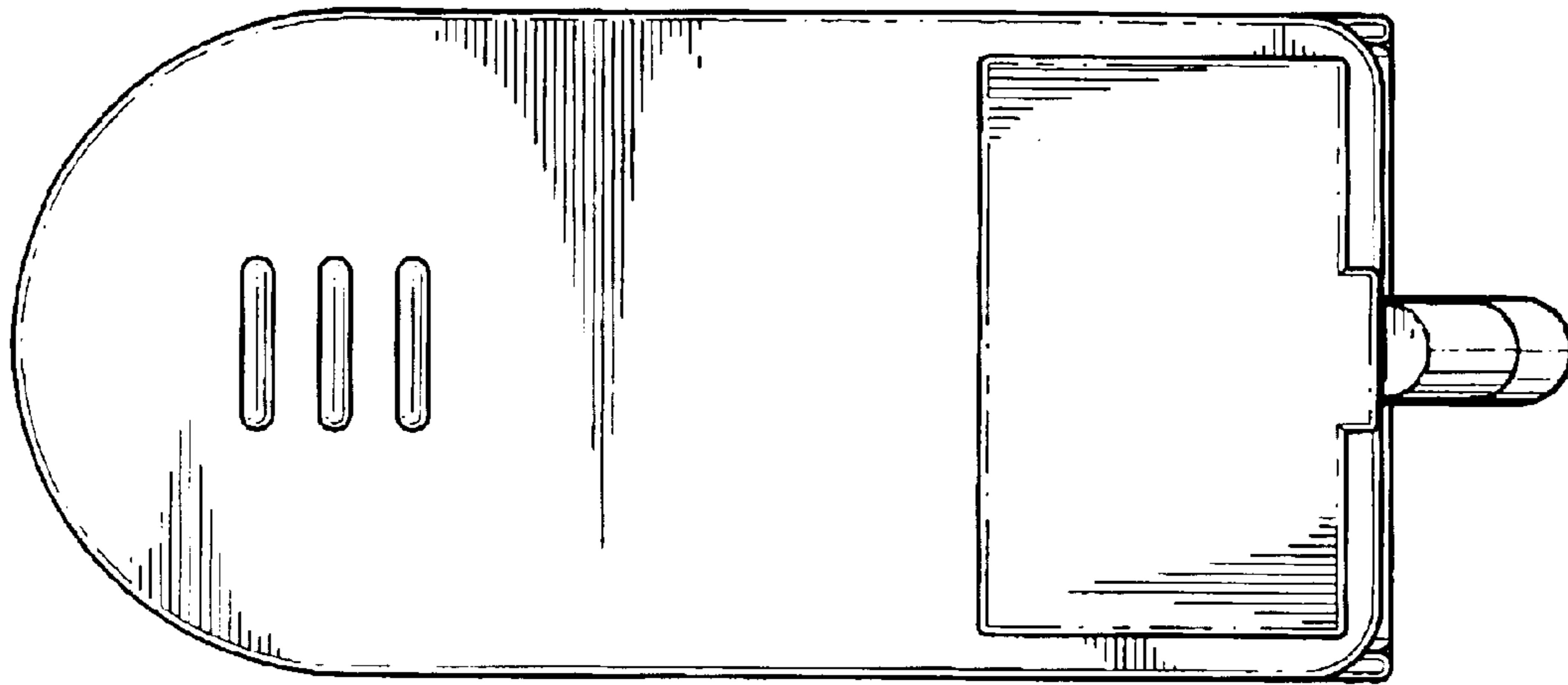


FIG. 3

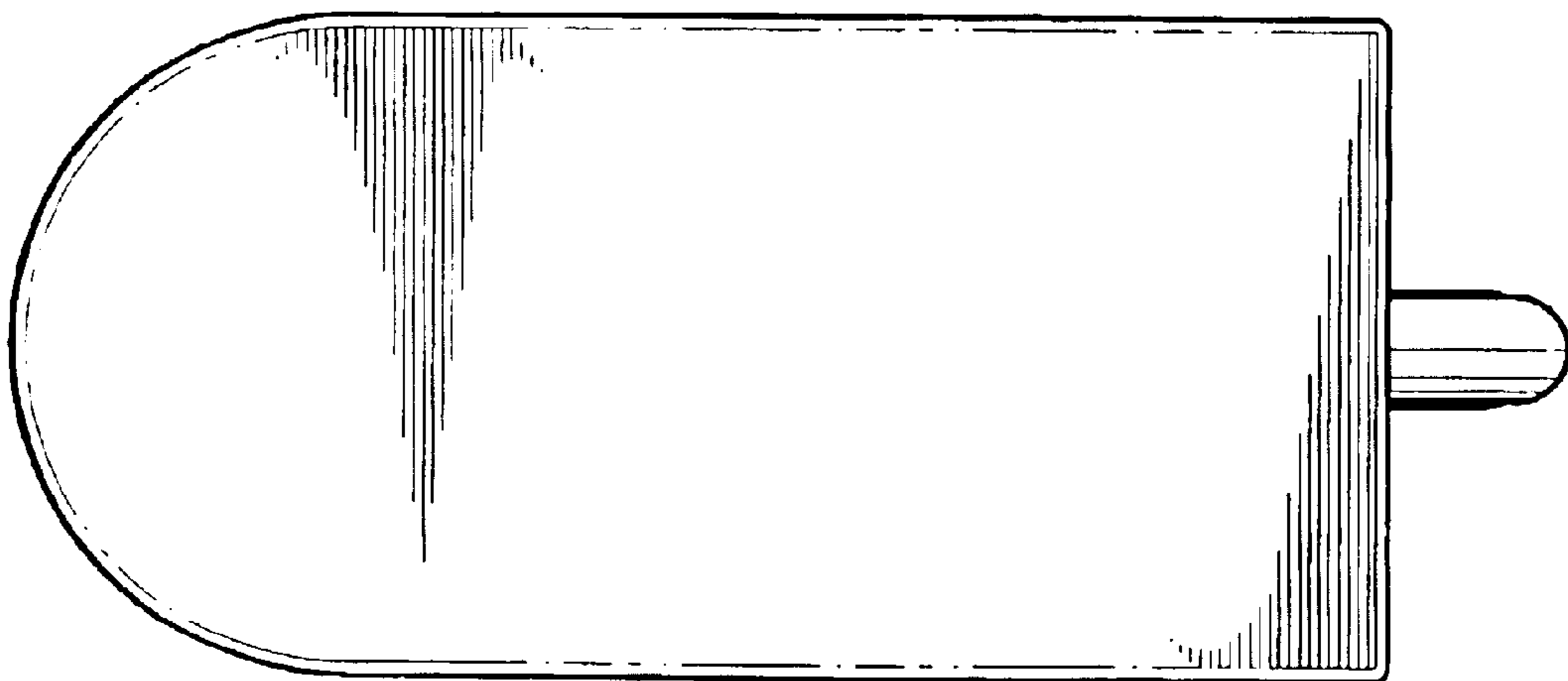


FIG. 4

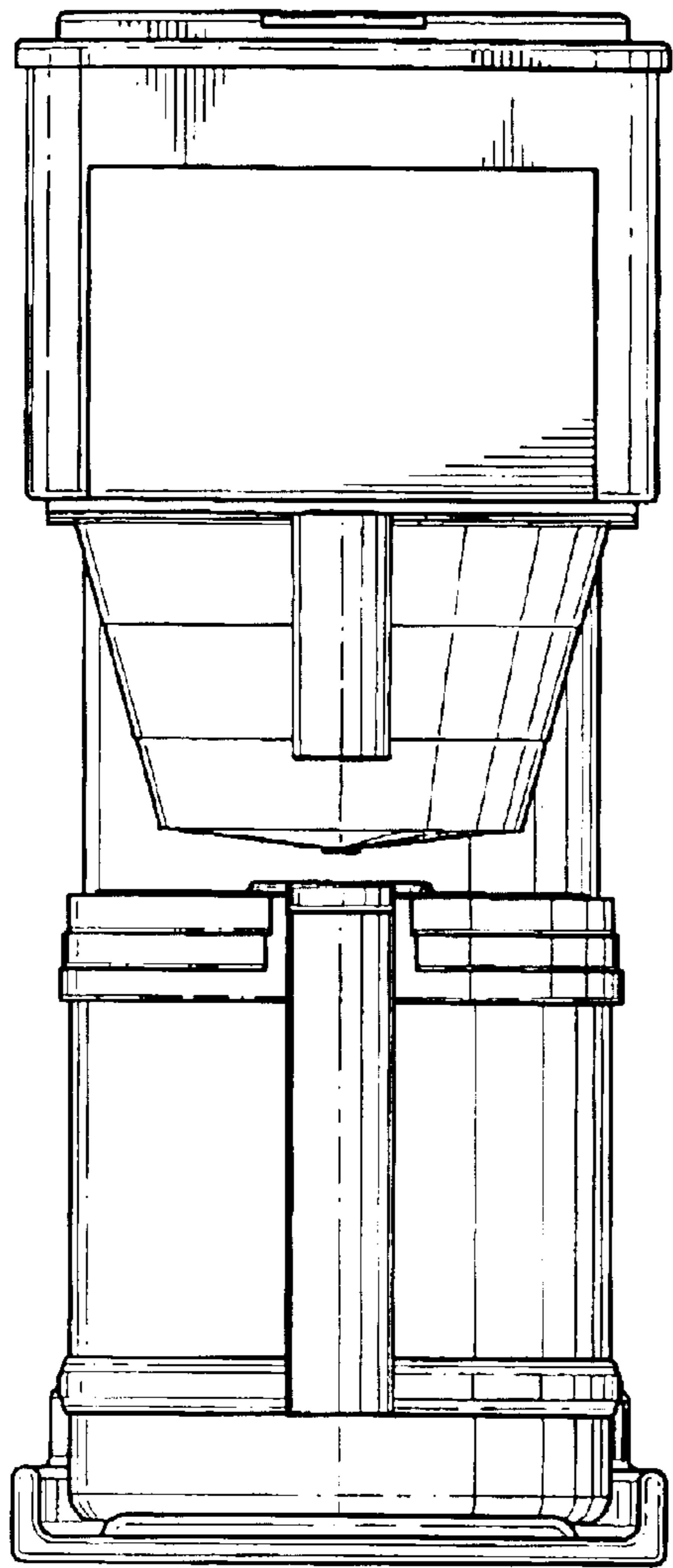


FIG. 5

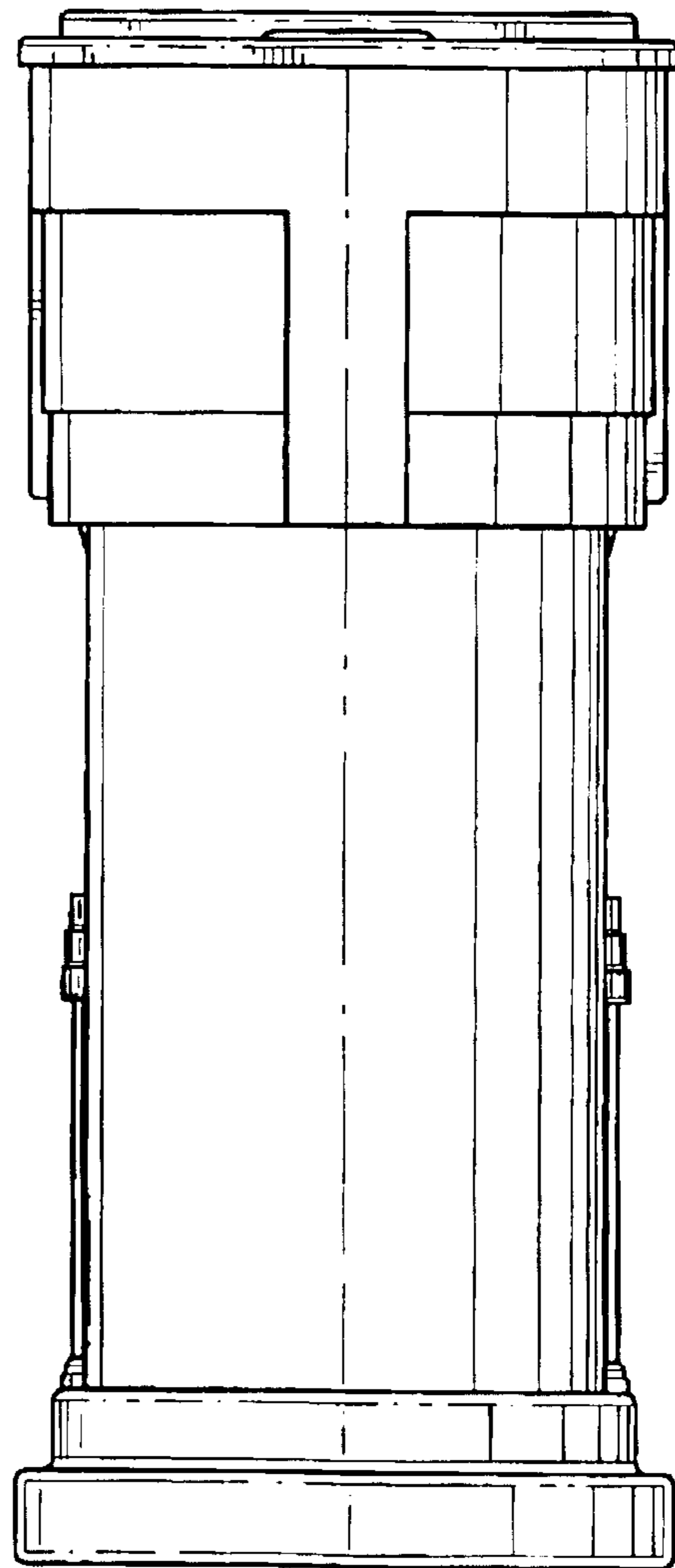


FIG. 6