

US00D496201S1

(12) **United States Design Patent**  
**Chen**

(10) **Patent No.:** **US D496,201 S**

(45) **Date of Patent:** **\*\* Sep. 21, 2004**

(54) **SOAP DISPENSER**

D418,344 S \* 1/2000 De Winter ..... D6/545

(76) **Inventor:** **Yi-Chen Chen**, No. 107, Fusing 6<sup>th</sup> St.,  
Jhongli City, Taoyuan County (TW)

\* cited by examiner

*Primary Examiner*—Brian N. Vinson

(\*\*) **Term:** **14 Years**

(74) *Attorney, Agent, or Firm*—Birch, Stewart, Kolasch &  
Birch, LLP

(21) **Appl. No.:** **29/187,396**

(57) **CLAIM**

(22) **Filed:** **Aug. 1, 2003**

The ornamental design for a soap dispenser, as shown.

(51) **LOC (7) Cl.** ..... **06-04**

**DESCRIPTION**

(52) **U.S. Cl.** ..... **D6/545**

FIG. 1 is a perspective view of a soap dispenser showing my  
new design;

(58) **Field of Search** ..... D6/542–545; 222/92,  
222/105, 173, 180; 221/282–83; 206/77.1

FIG. 2 is a front view thereof;

FIG. 3 is a rear view thereof;

(56) **References Cited**

FIG. 4 is a left side view thereof;

**U.S. PATENT DOCUMENTS**

FIG. 5 is a right side view thereof;

D387,931 S \* 12/1997 Chen ..... D6/545

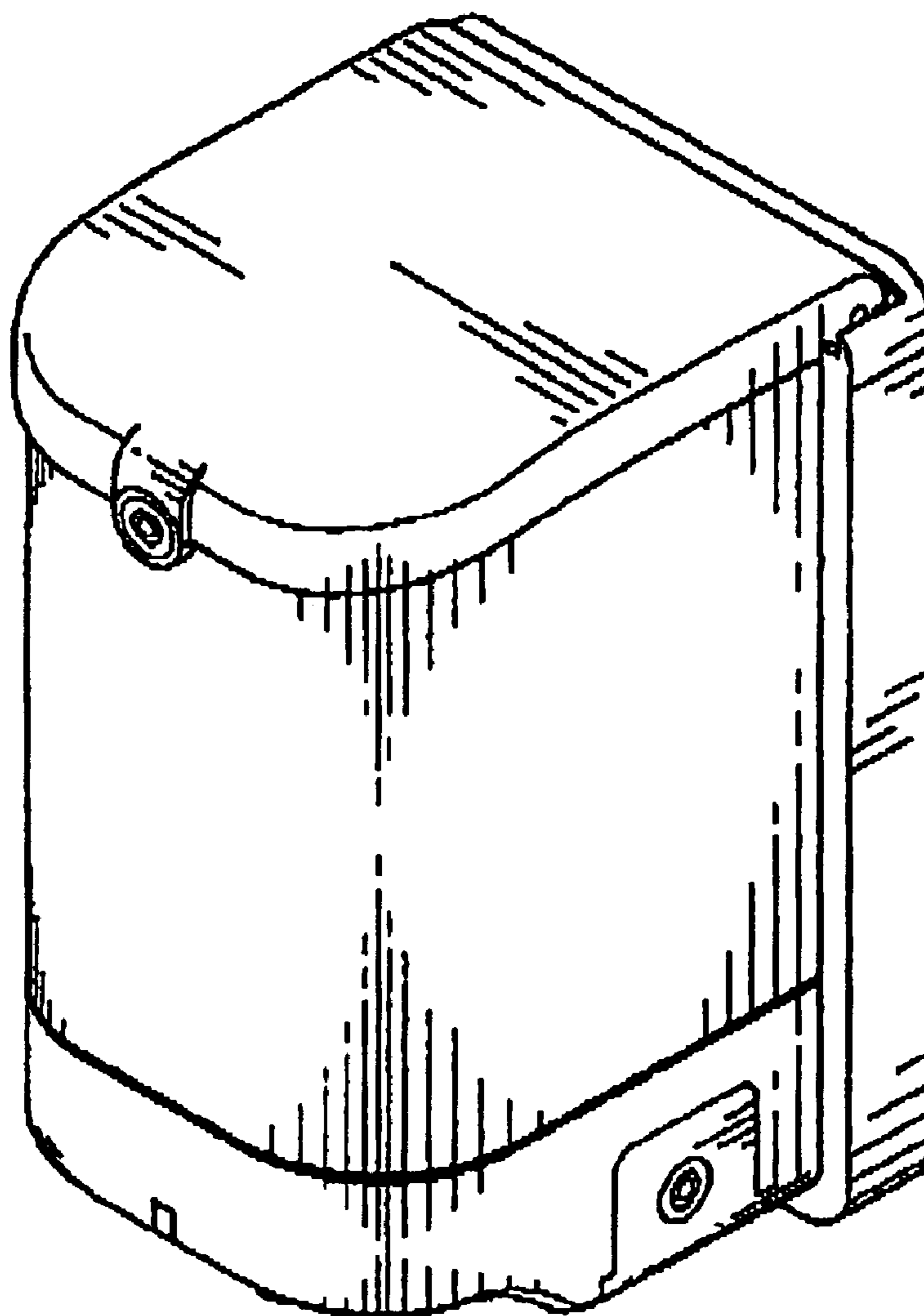
FIG. 6 is a top view thereof; and,

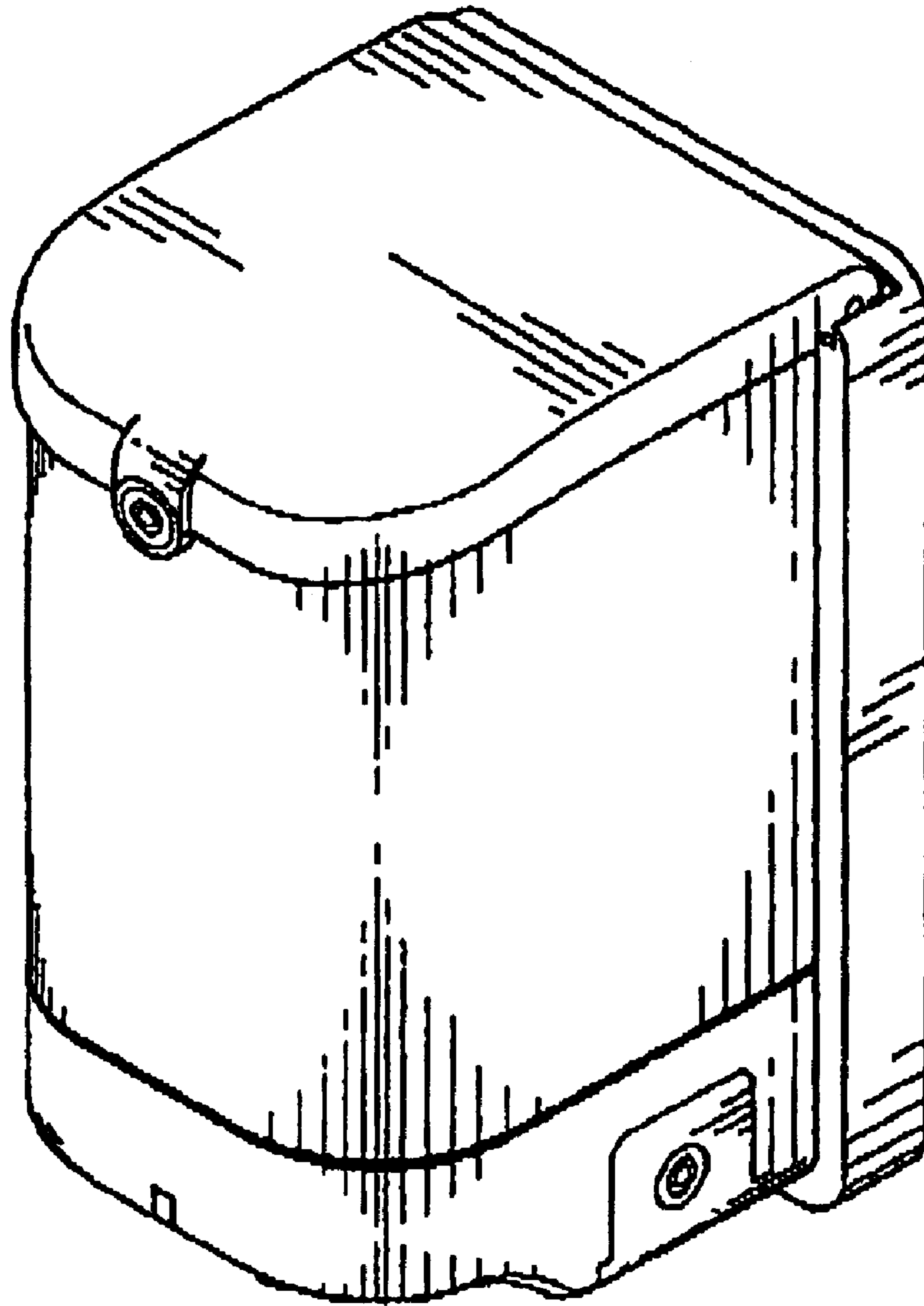
D414,639 S \* 10/1999 Ludbrook et al. .... D6/545

FIG. 7 is an up view thereof.

D416,418 S \* 11/1999 Kampe et al. .... D6/545

**1 Claim, 4 Drawing Sheets**





*Fig. 1*

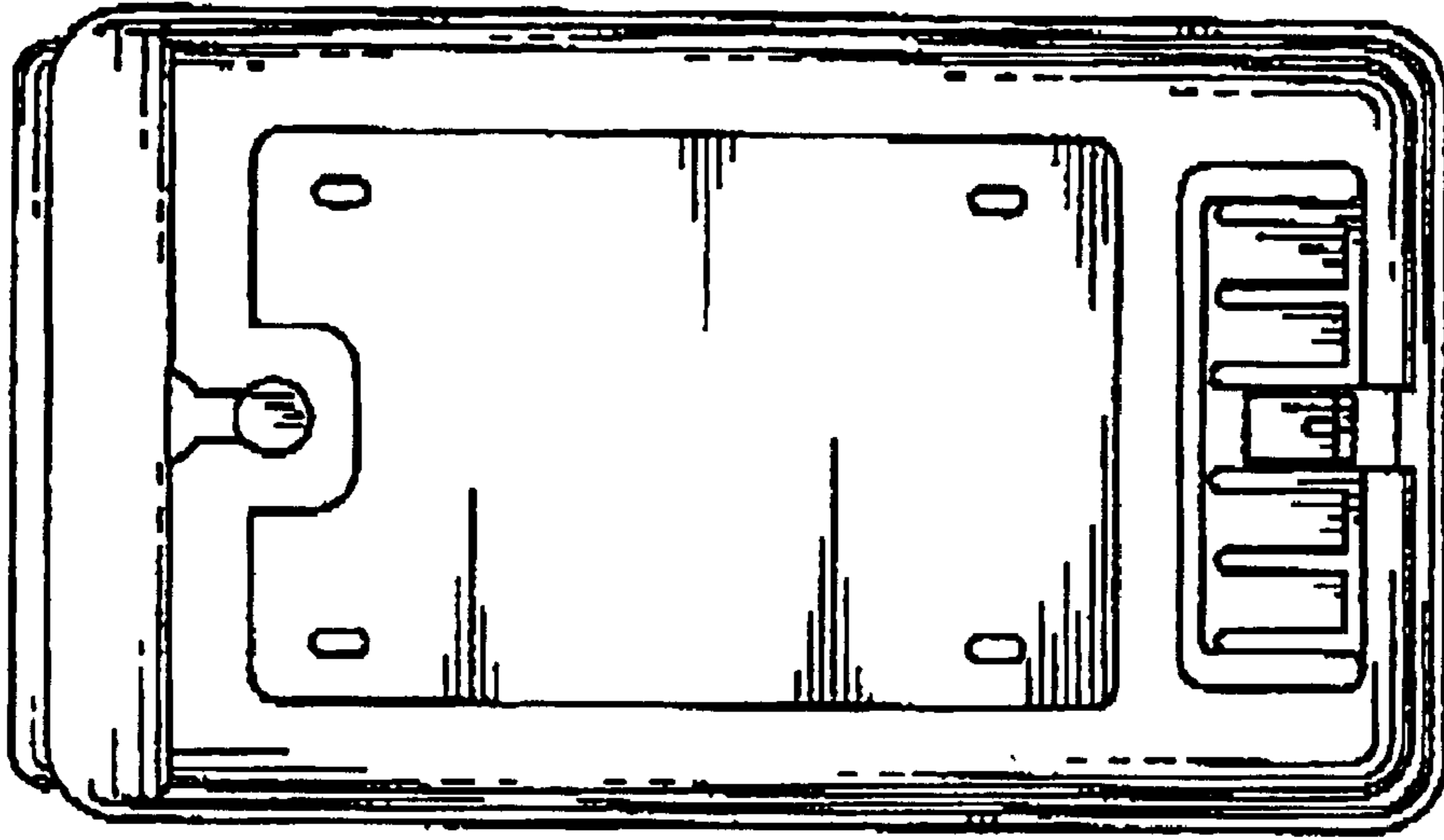


Fig. 3

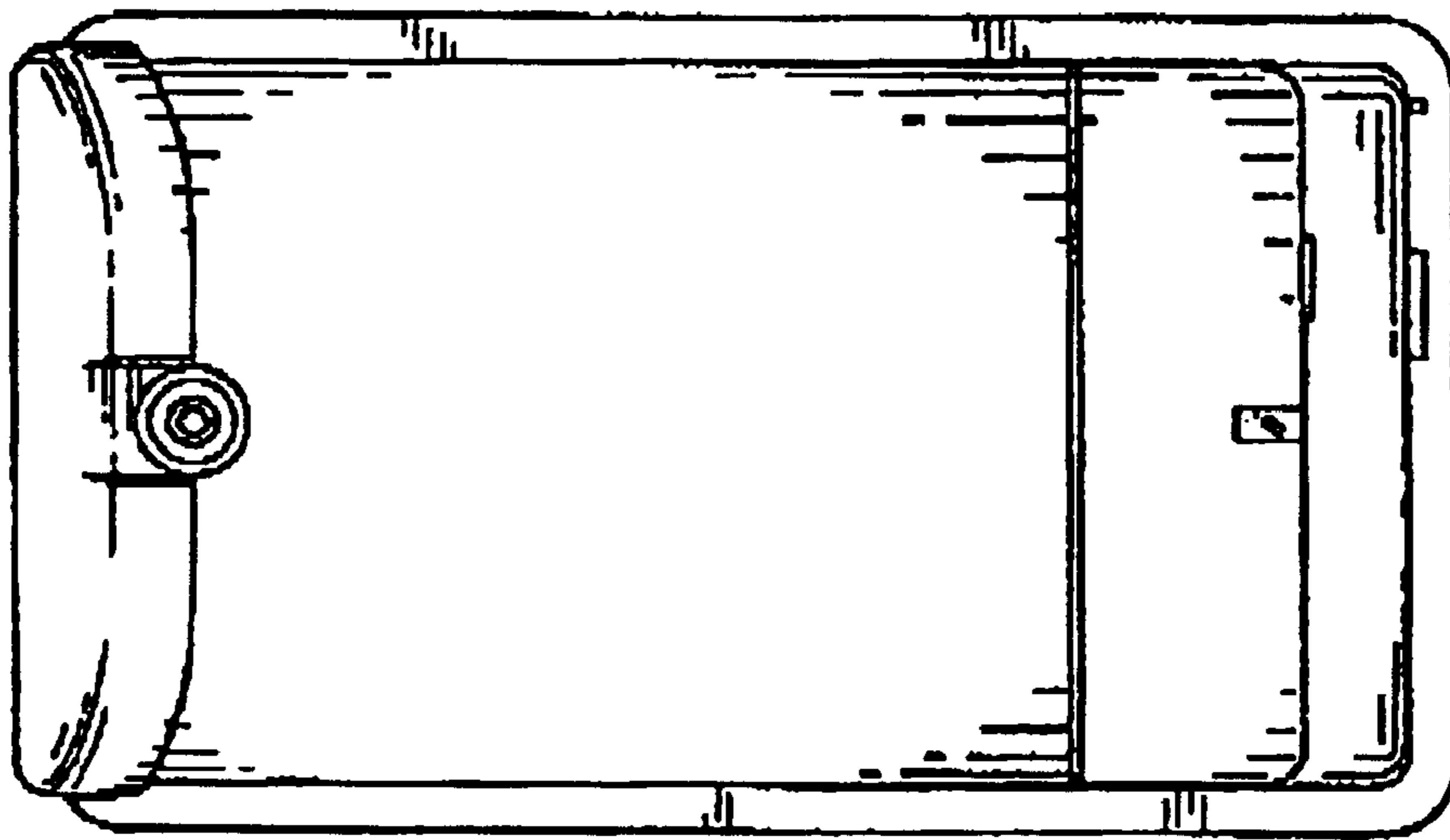


Fig. 2

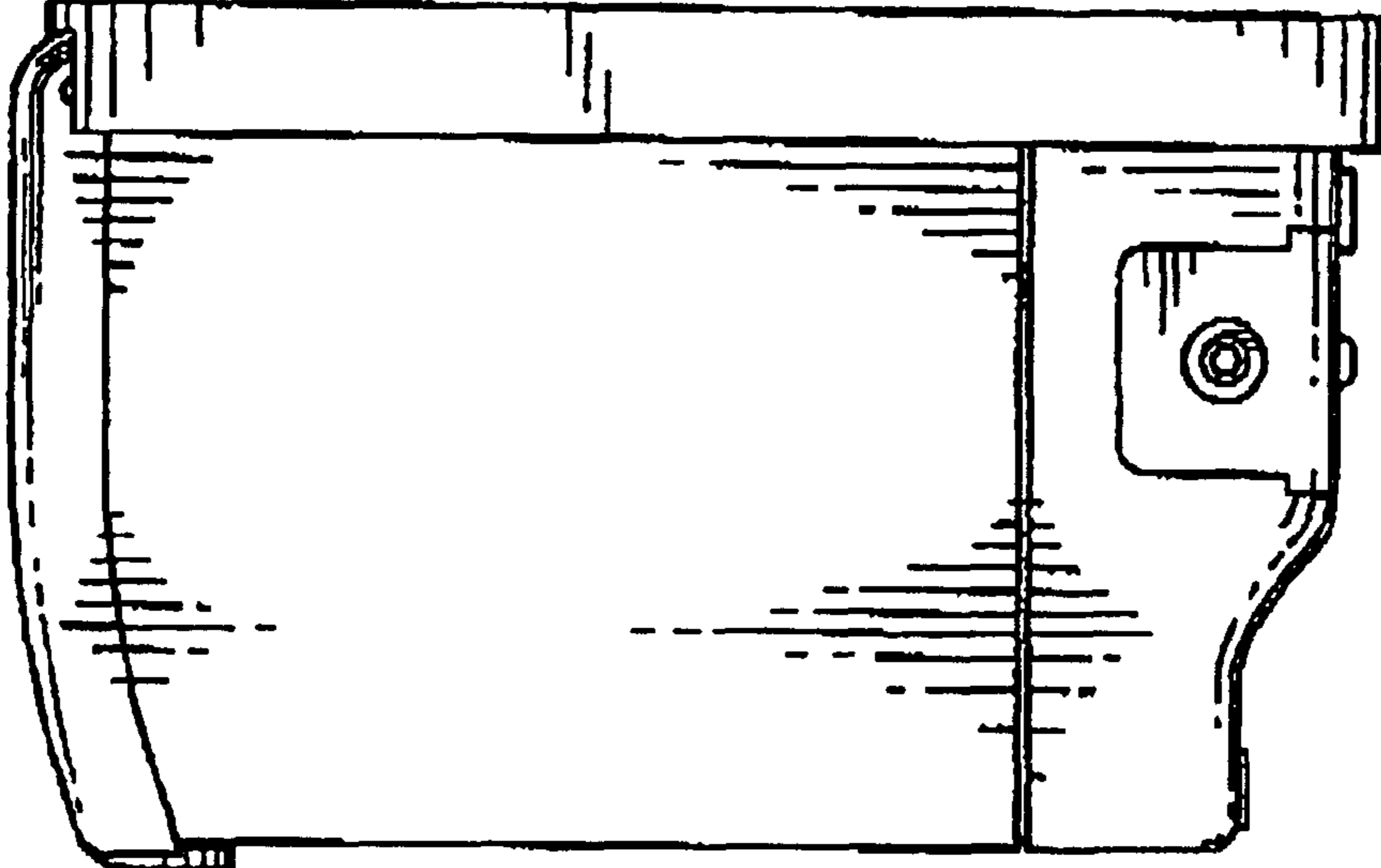


Fig. 5

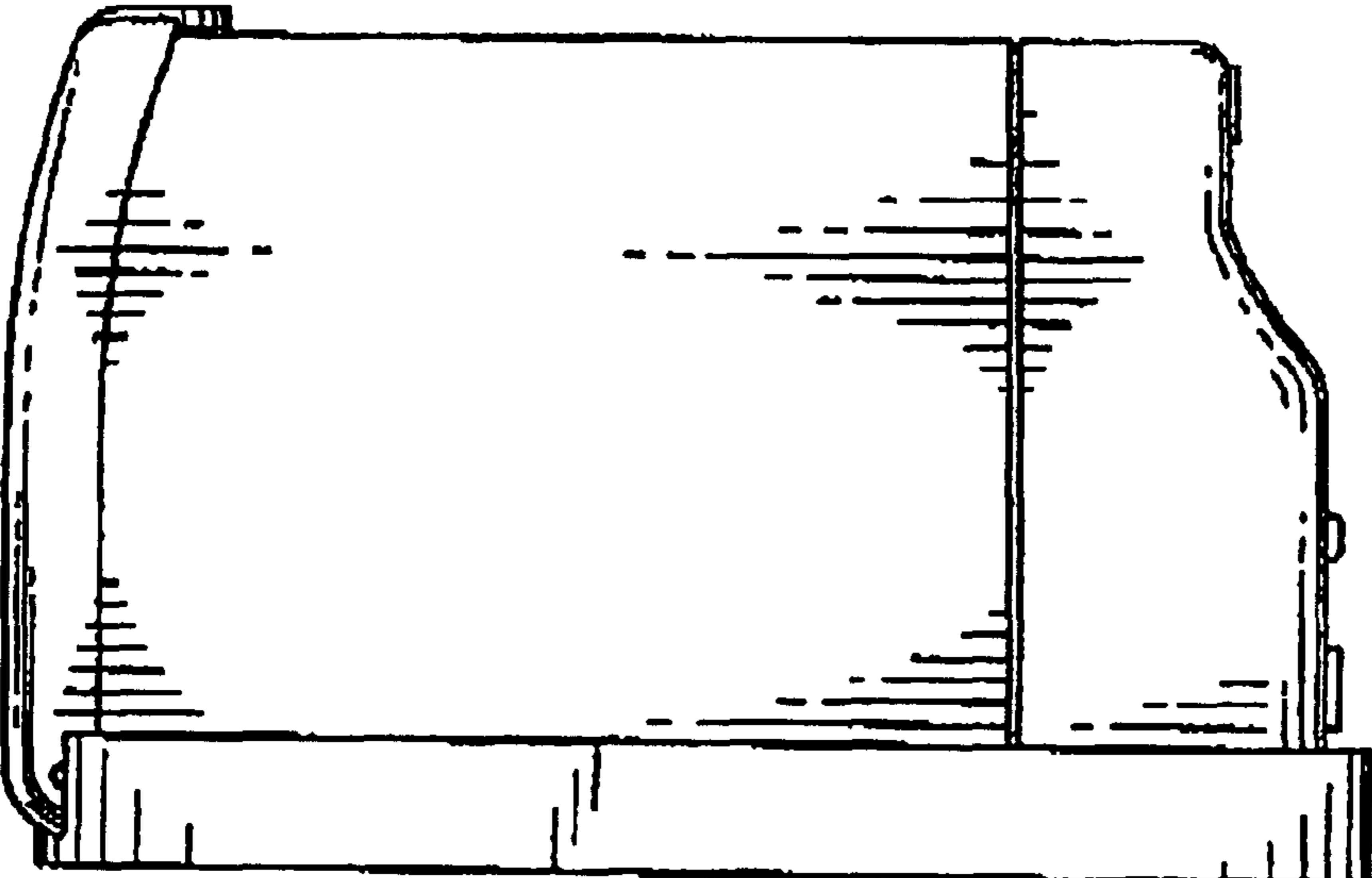


Fig. 4

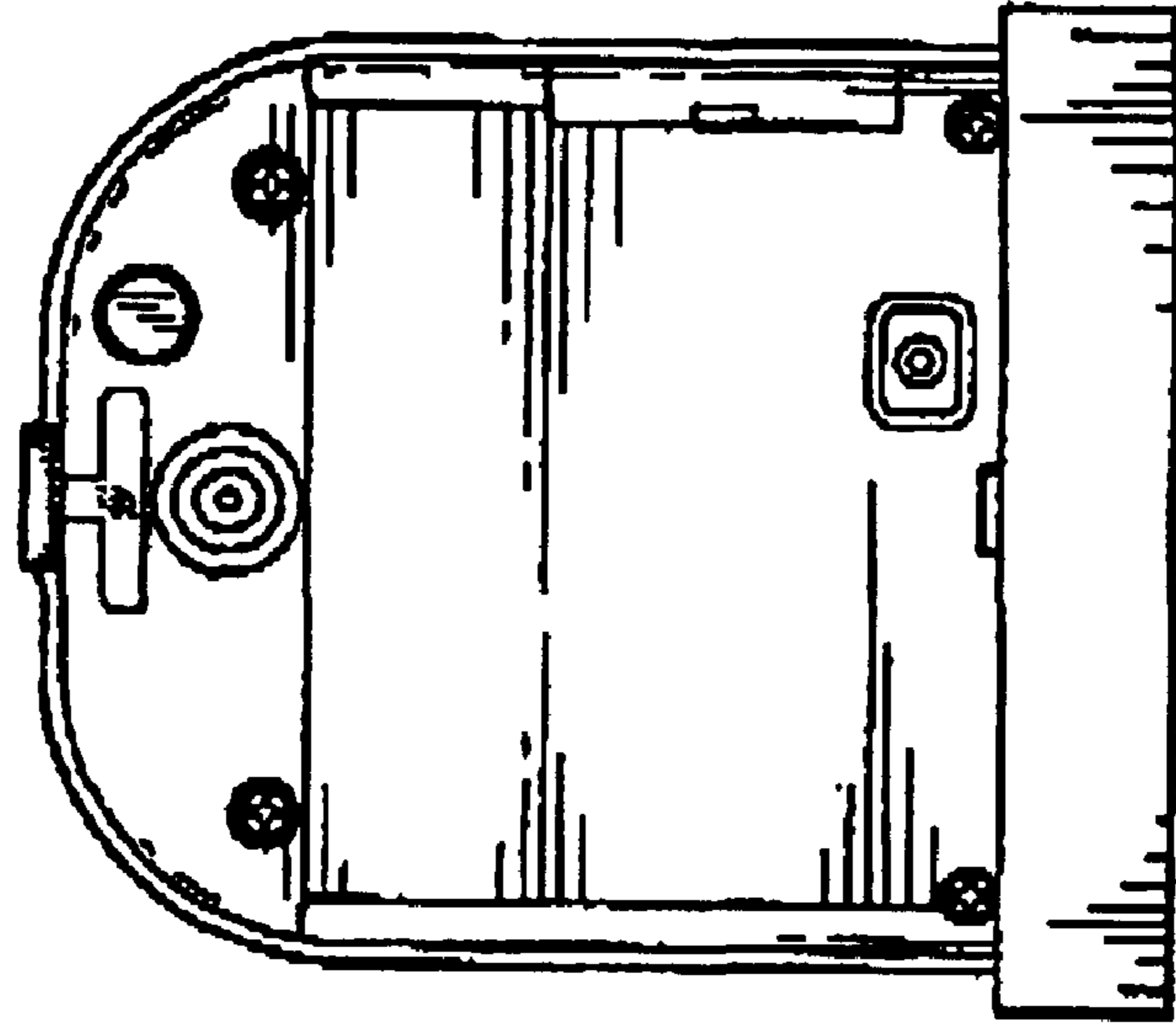


Fig. 6

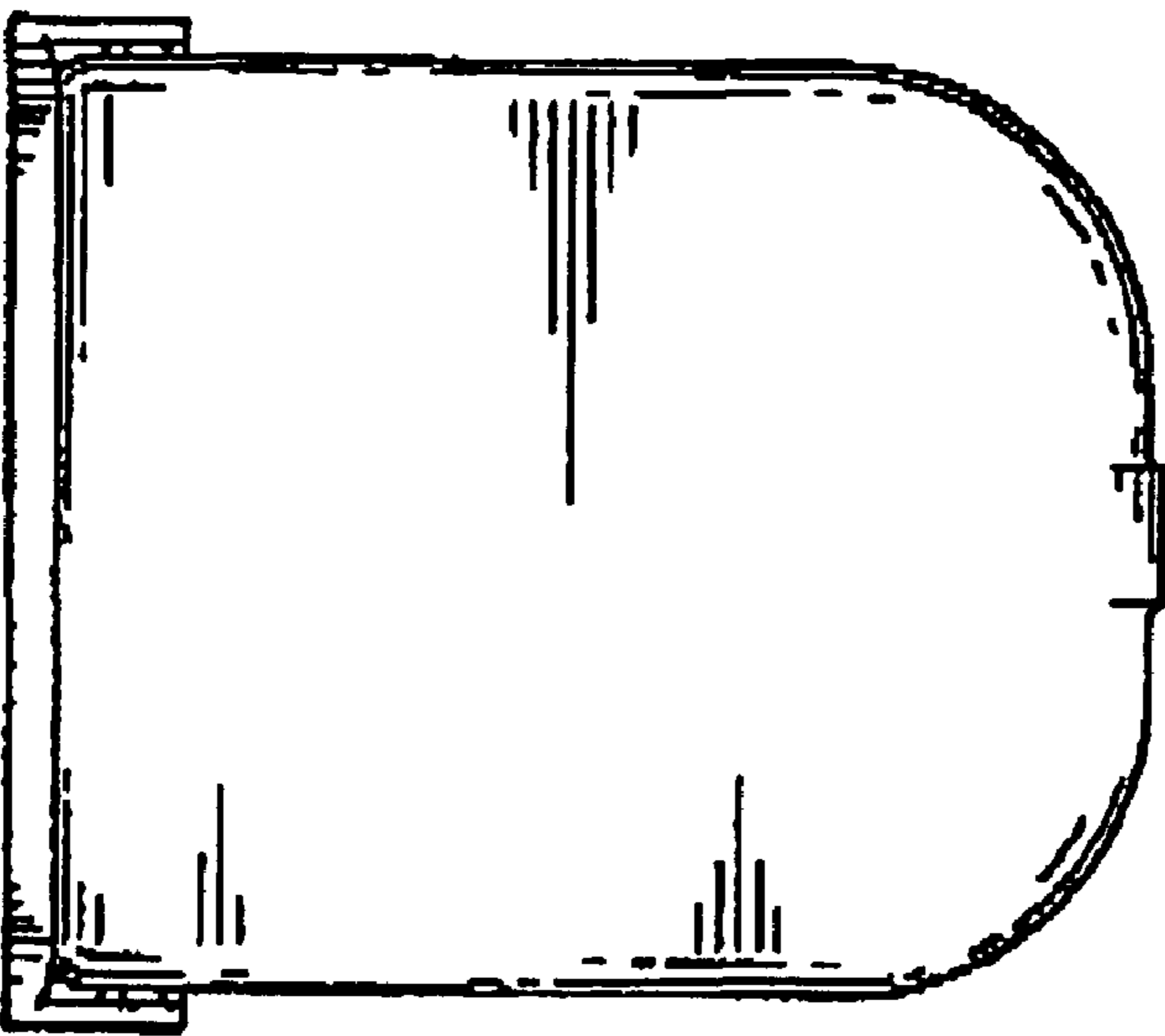


Fig. 7