

US00D496200S1

(12) **United States Design Patent**
Jackson et al.

(10) **Patent No.: US D496,200 S**

(45) **Date of Patent: ** Sep. 21, 2004**

(54) **WALL HANGER FOR A PLANT**

D430,441 S * 9/2000 Rosenberg D6/566
D431,137 S * 9/2000 McBarnette D6/513

(76) Inventors: **Mary E. Jackson**, 116 - 24th Ave. S.,
St. Petersburg, FL (US) 33705; **Edward**
N. Provost, 116 - 24th Ave. S., St.
Petersburg, FL (US) 33705

* cited by examiner

Primary Examiner—Brian N Vinson
(74) *Attorney, Agent, or Firm*—Larson & Larson, PA;
James E. Larson

(**) Term: **14 Years**

(57) **CLAIM**

(21) Appl. No.: **29/190,189**

The ornamental design for a wall hanger for a plant, as
shown and described.

(22) Filed: **Sep. 16, 2003**

(51) **LOC (7) Cl.** **06-06**

(52) **U.S. Cl.** **D6/513; D6/556**

(58) **Field of Search** D6/512–514, 556,
D6/558; 211/13.1, 71.01, 86.01, 87.01,
88.03, 106, 181.1; 248/200, 302, 304, 309.1,
311.2, 314

DESCRIPTION

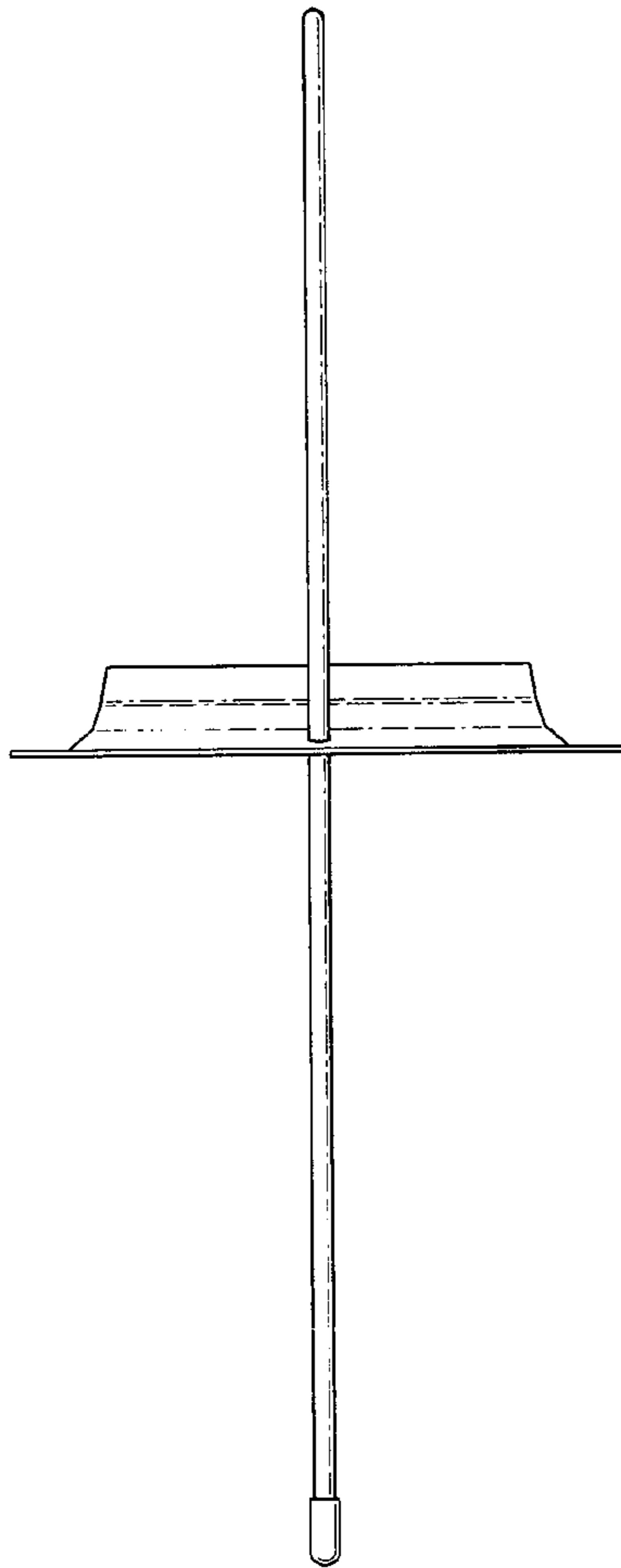
FIG. 1 is a front elevational view of a wall hanger for a plant
showing my new design;
FIG. 2 is a rear elevational view thereof;
FIG. 3 is a left side view thereof;
FIG. 4 is a right side view thereof;
FIG. 5 is a top plan view thereof;
FIG. 6 is a bottom plan view thereof; and,
FIG. 7 is a perspective view thereof. The broken lines are for
illustrative purposes only and form no part of the claimed
design.

(56) **References Cited**

U.S. PATENT DOCUMENTS

D250,306 S * 11/1978 Momcilovich D6/513
4,603,507 A * 8/1986 Nelson 211/106
D337,226 S * 7/1993 Rosenbaum D6/513
D348,165 S * 6/1994 Walaski D6/556

1 Claim, 4 Drawing Sheets



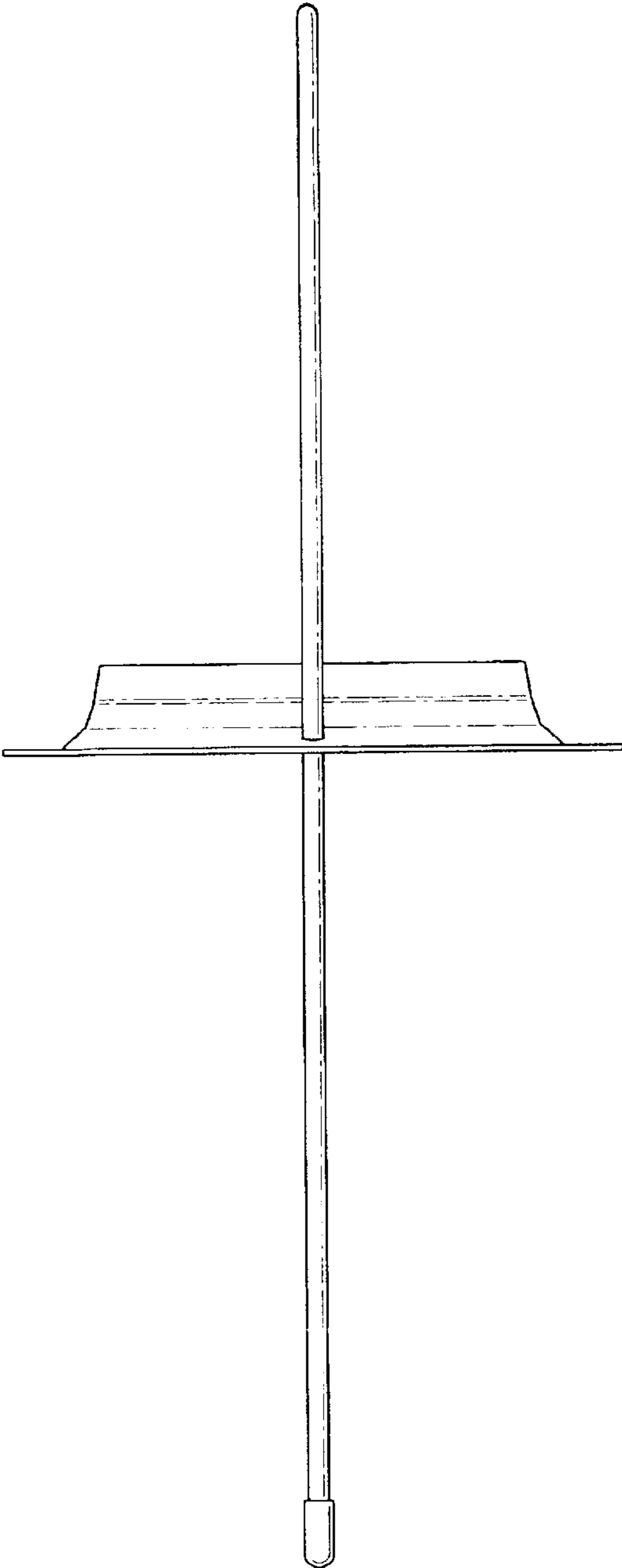


FIG. 1

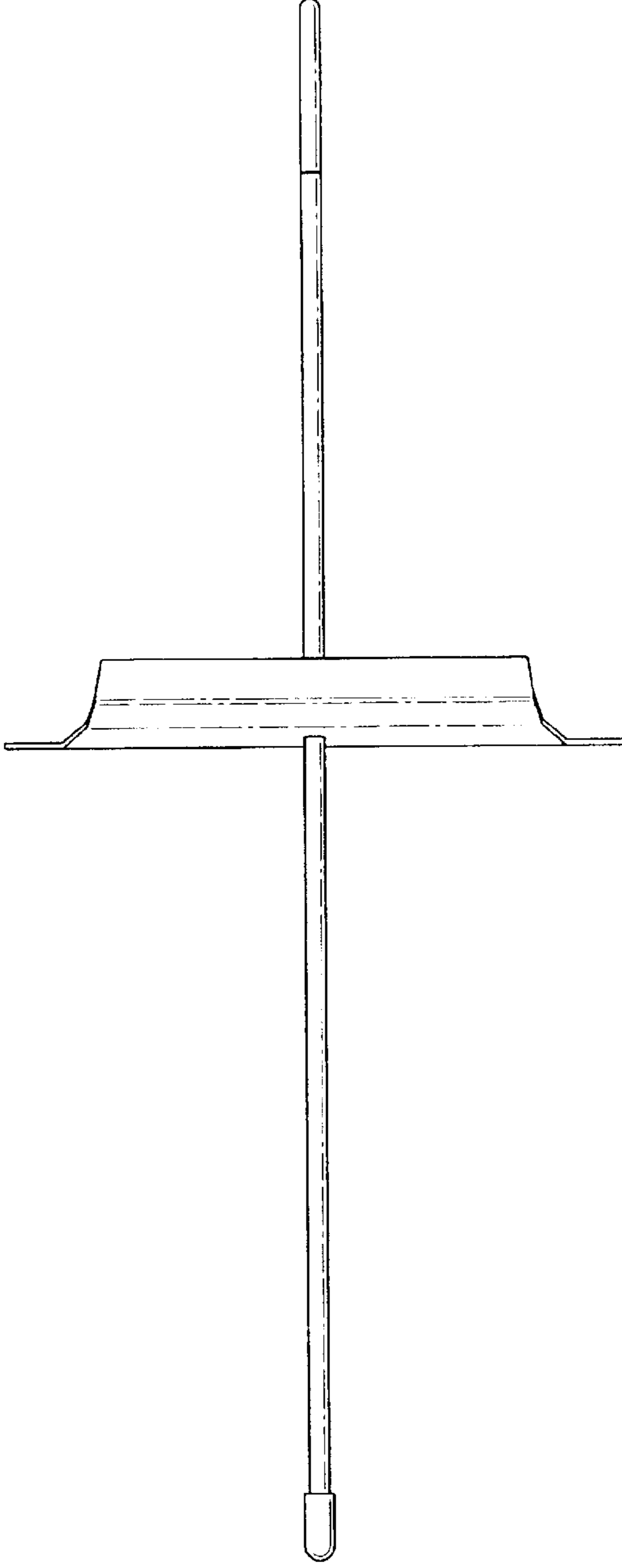


FIG. 2

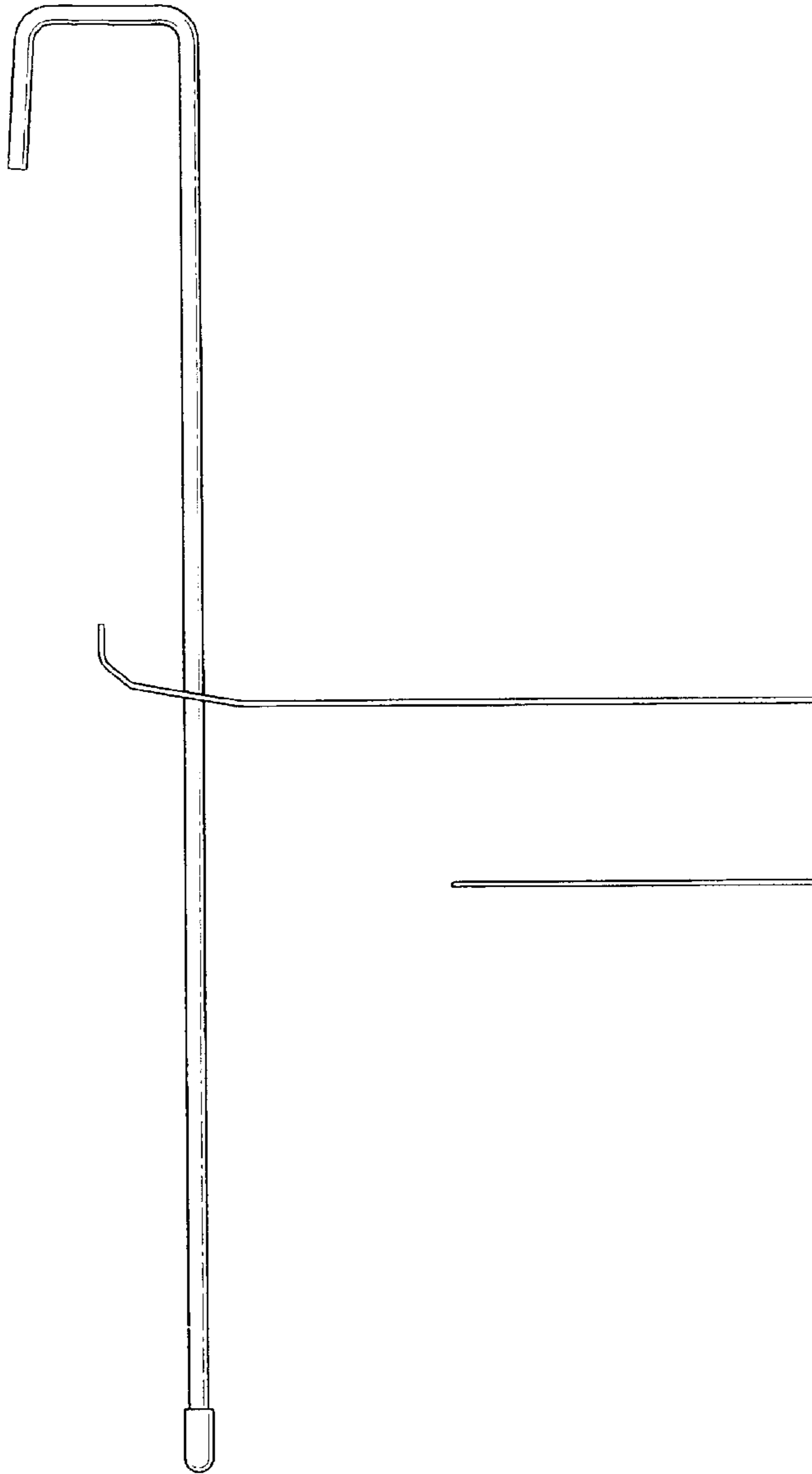


FIG. 3

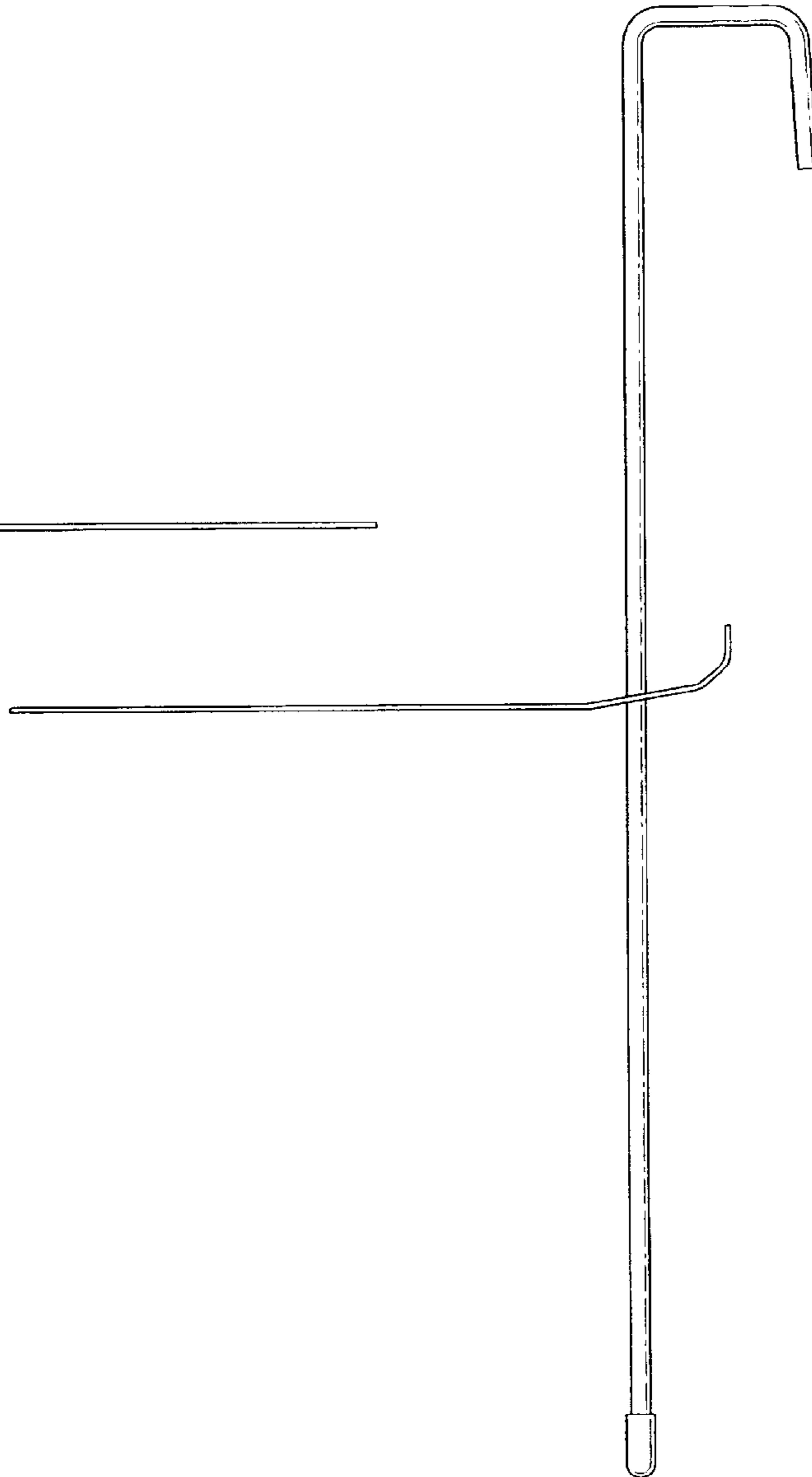


FIG. 4

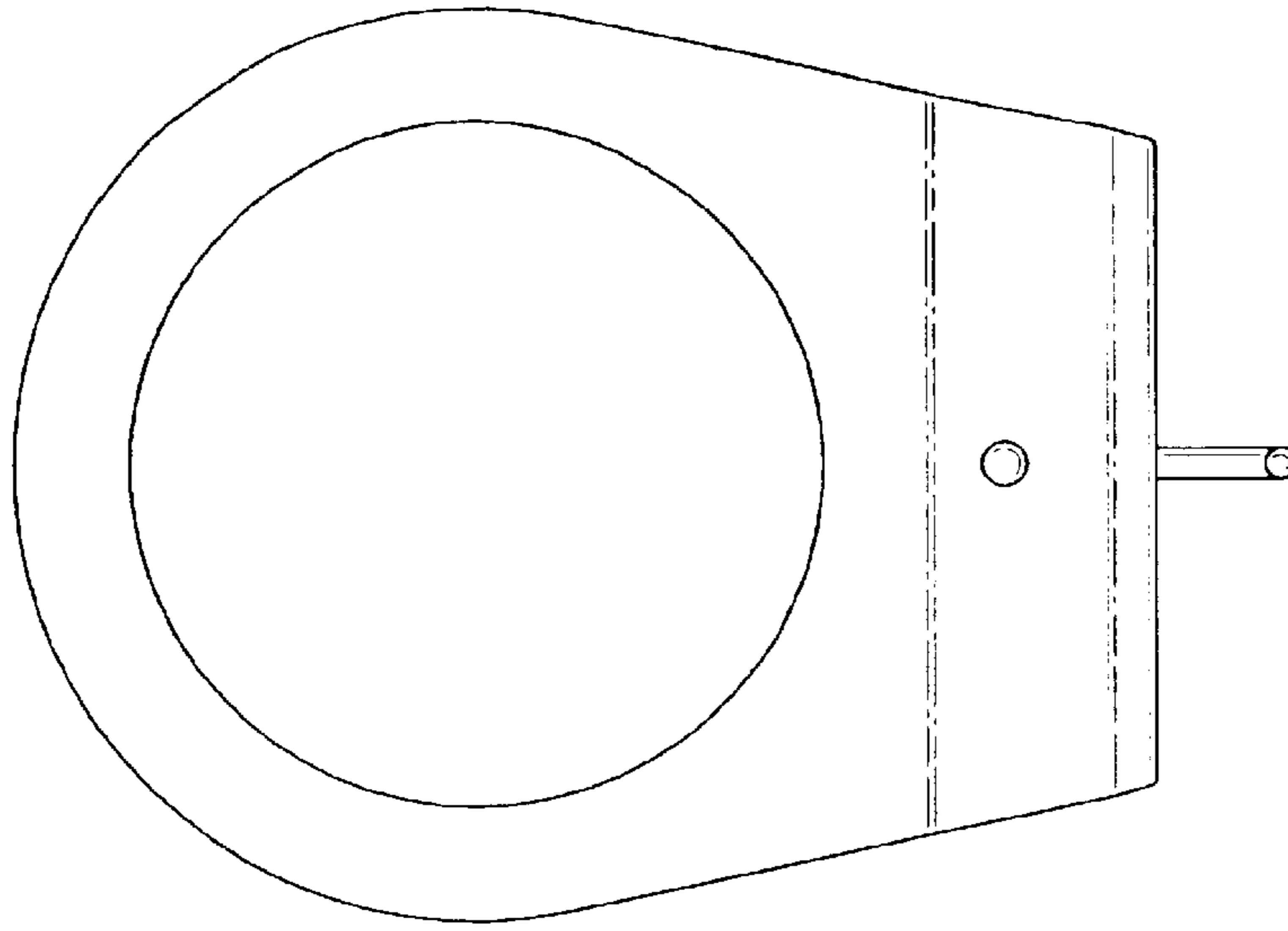


FIG. 6

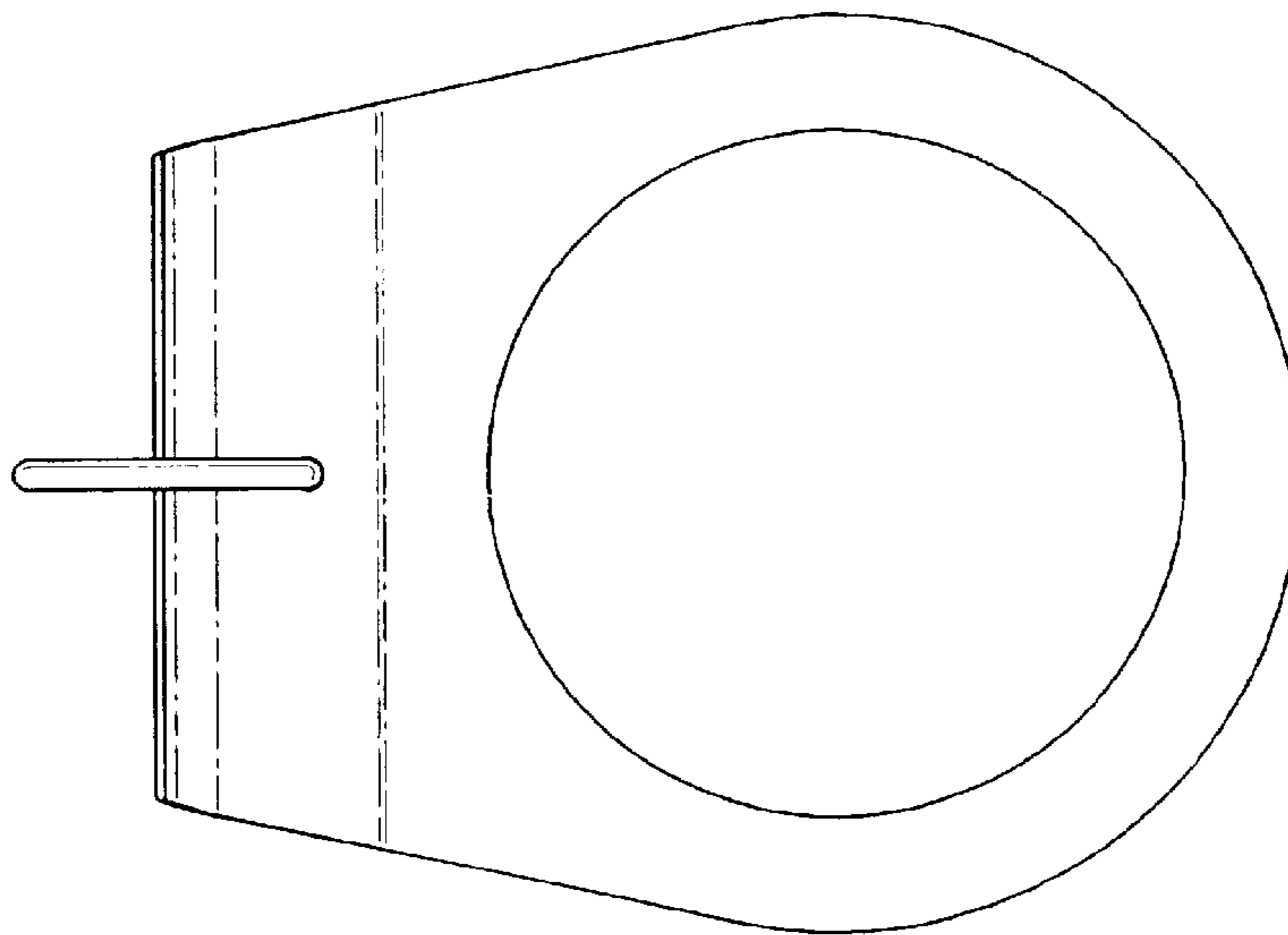


FIG. 5

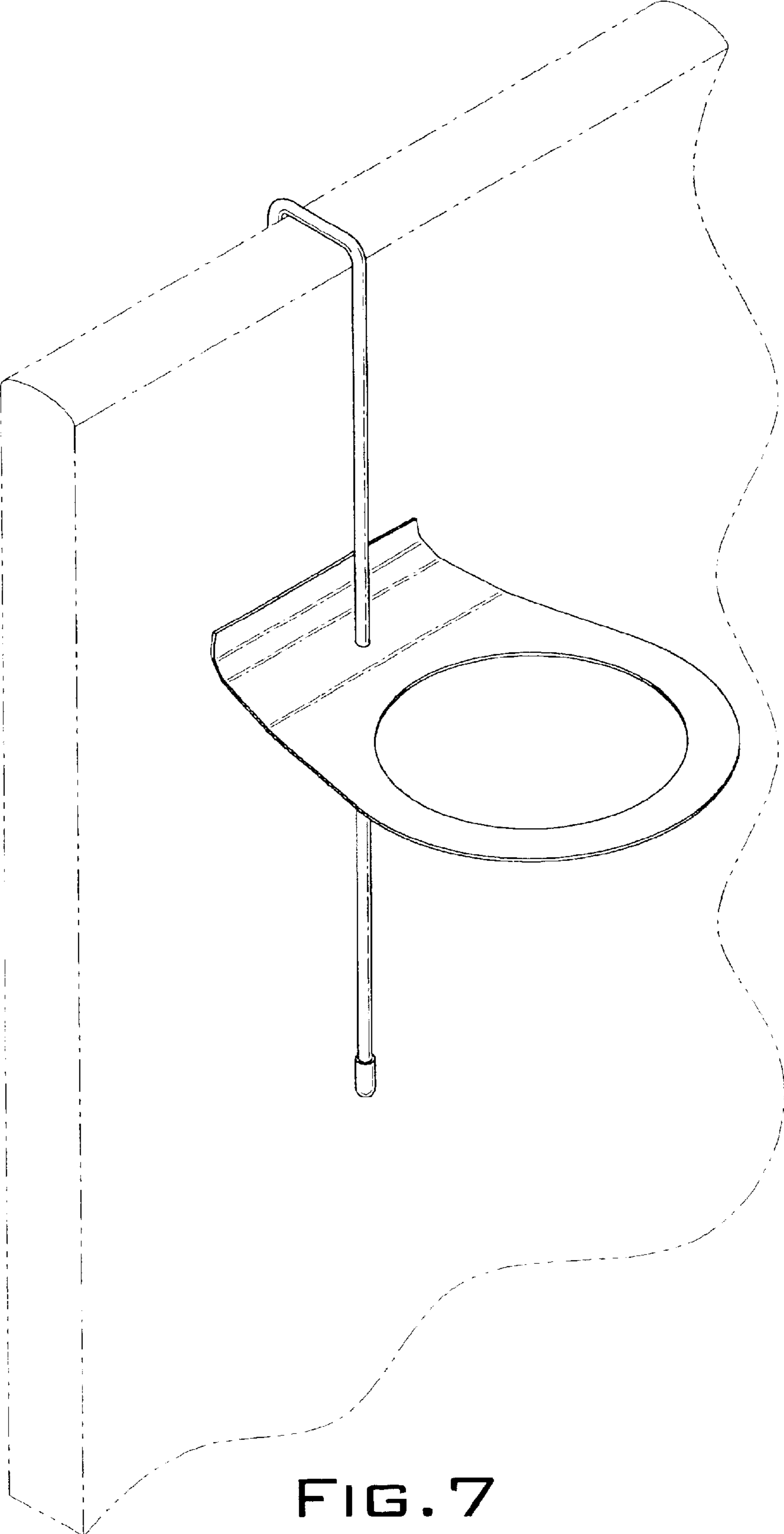


FIG. 7