

US00D496197S1

(12) **United States Design Patent**  
**Wenzler**

(10) **Patent No.:** **US D496,197 S**  
(45) **Date of Patent:** **\*\* Sep. 21, 2004**

(54) **SEAT BACK CUP HOLDER**

6,059,364 A 5/2000 Dryburgh et al.  
6,095,471 A \* 8/2000 Huang ..... 248/311.2

(75) Inventor: **Alfred W. Wenzler**, Winston-Salem,  
NC (US)

\* cited by examiner

(73) Assignee: **B E Aerospace, Inc.**, Wellington, FL  
(US)

*Primary Examiner*—Doris V. Coles  
*Assistant Examiner*—Mimosa De  
(74) *Attorney, Agent, or Firm*—Adams Evans P.A.

(\*\*) Term: **14 Years**

(57) **CLAIM**

(21) Appl. No.: **29/180,191**

The ornamental design for a seat back cup holder, as shown and described.

(22) Filed: **Apr. 21, 2003**

**DESCRIPTION**

(51) **LOC (7) Cl.** ..... **06-01**

(52) **U.S. Cl.** ..... **D6/500; D6/356**

(58) **Field of Search** ..... D6/334, 335, 336,  
D6/356, 500–502, 574; D7/620, 619.1;  
D12/419; 108/25, 44; 248/311.2; 297/188.01,  
188.04, 188.19

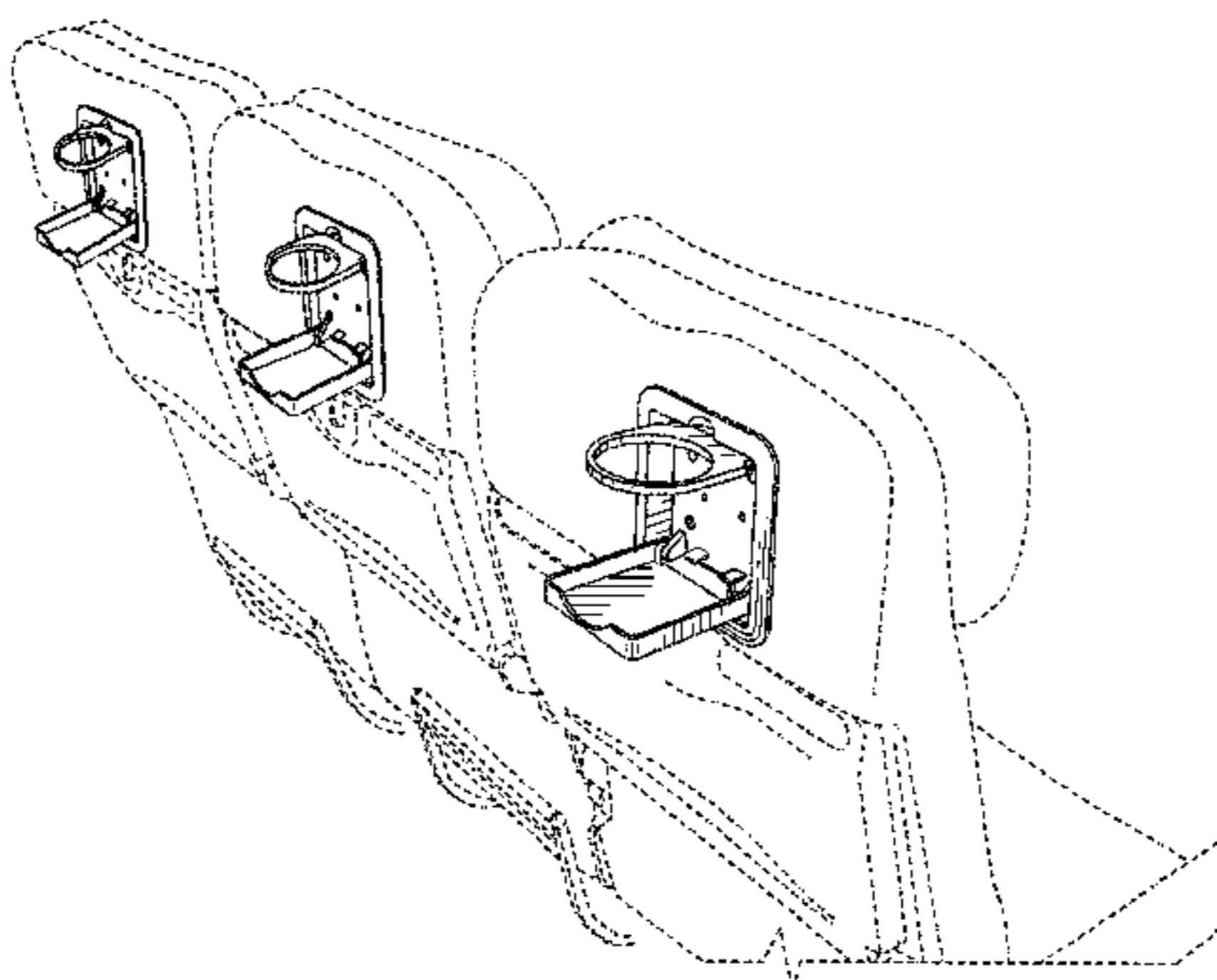
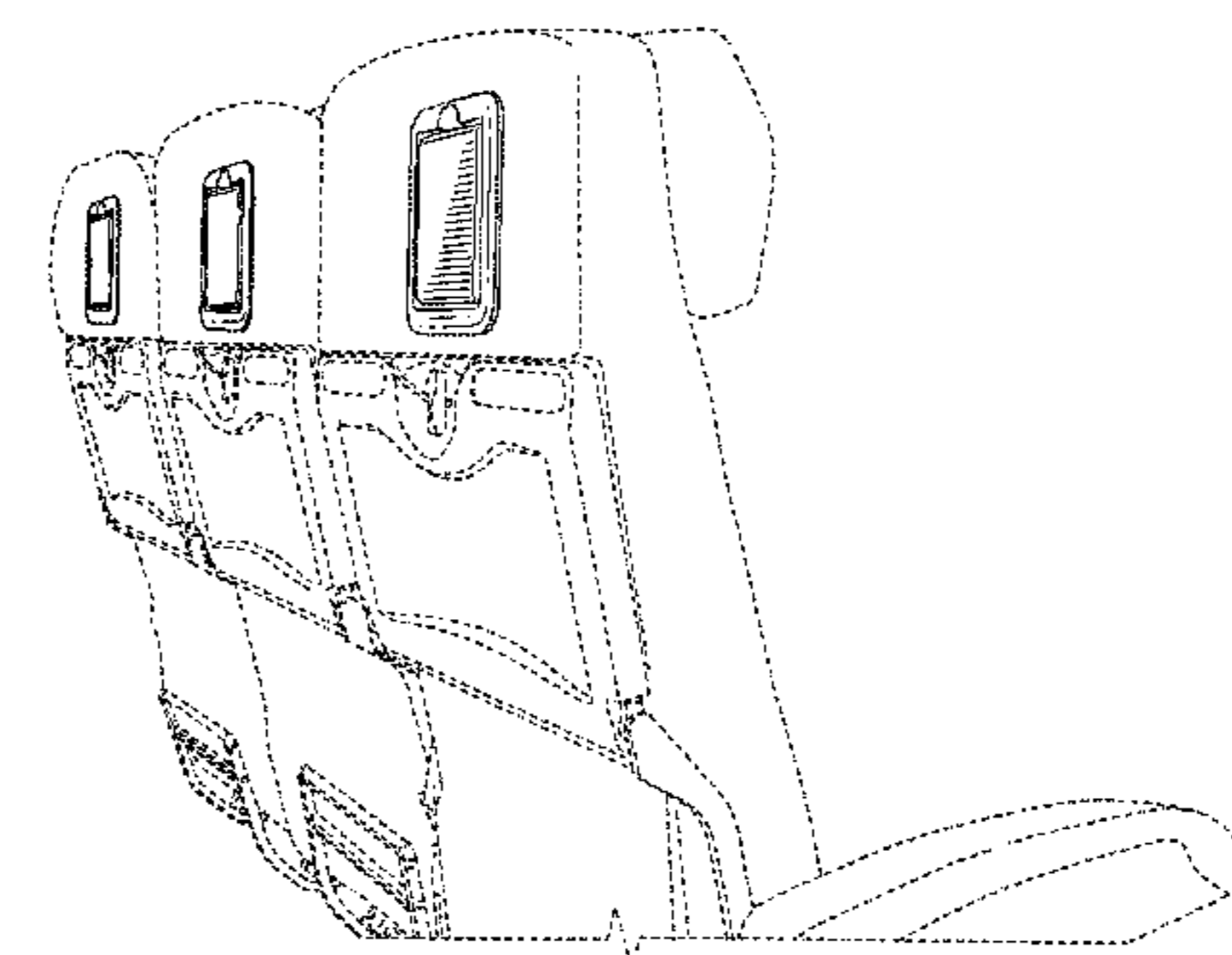
FIG. 1 is a perspective view of the seat back cup holder in a closed position, showing our new design;  
FIG. 2 is a perspective view of the seat back cup holder shown in FIG. 1, in an open position;  
FIG. 3 is a side elevational view of the seat back cup holder in a closed position;  
FIG. 4 is a side elevational view of the seat back cup holder in an open position;  
FIG. 5 is a rear view of the seat back cup holder in a closed position;  
FIG. 6 is a rear view of the seat back cup holder in an open position;  
FIG. 7 is a top view of the seat back cup holder in a closed position; and,  
FIG. 8 is a top view of the seat back cup holder in an open position.  
The broken line showing the seat unit to which the seat back cup holder is attached in FIGS. 1–8 is for illustrative purposes only and forms no part of the claimed design.

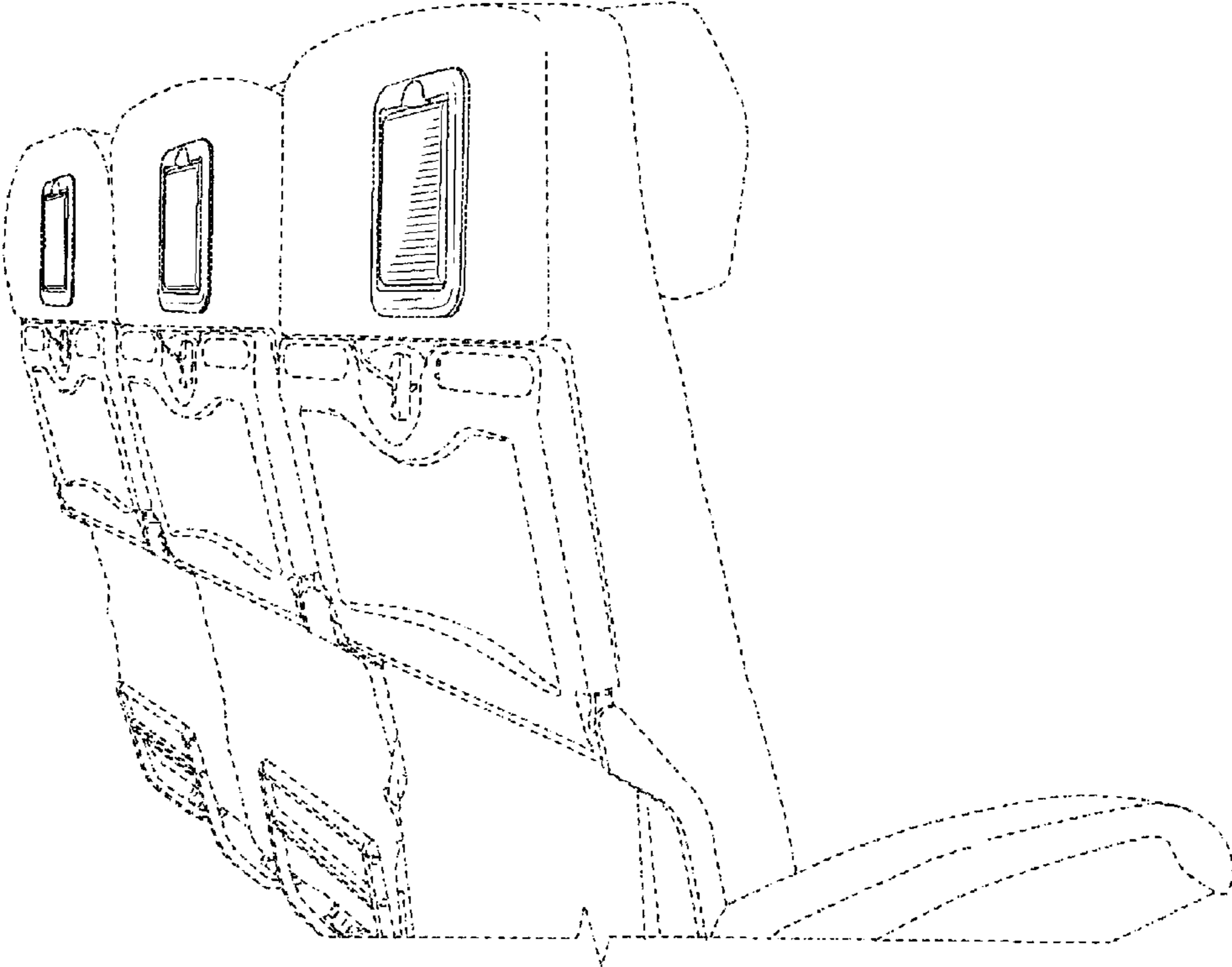
(56) **References Cited**

**U.S. PATENT DOCUMENTS**

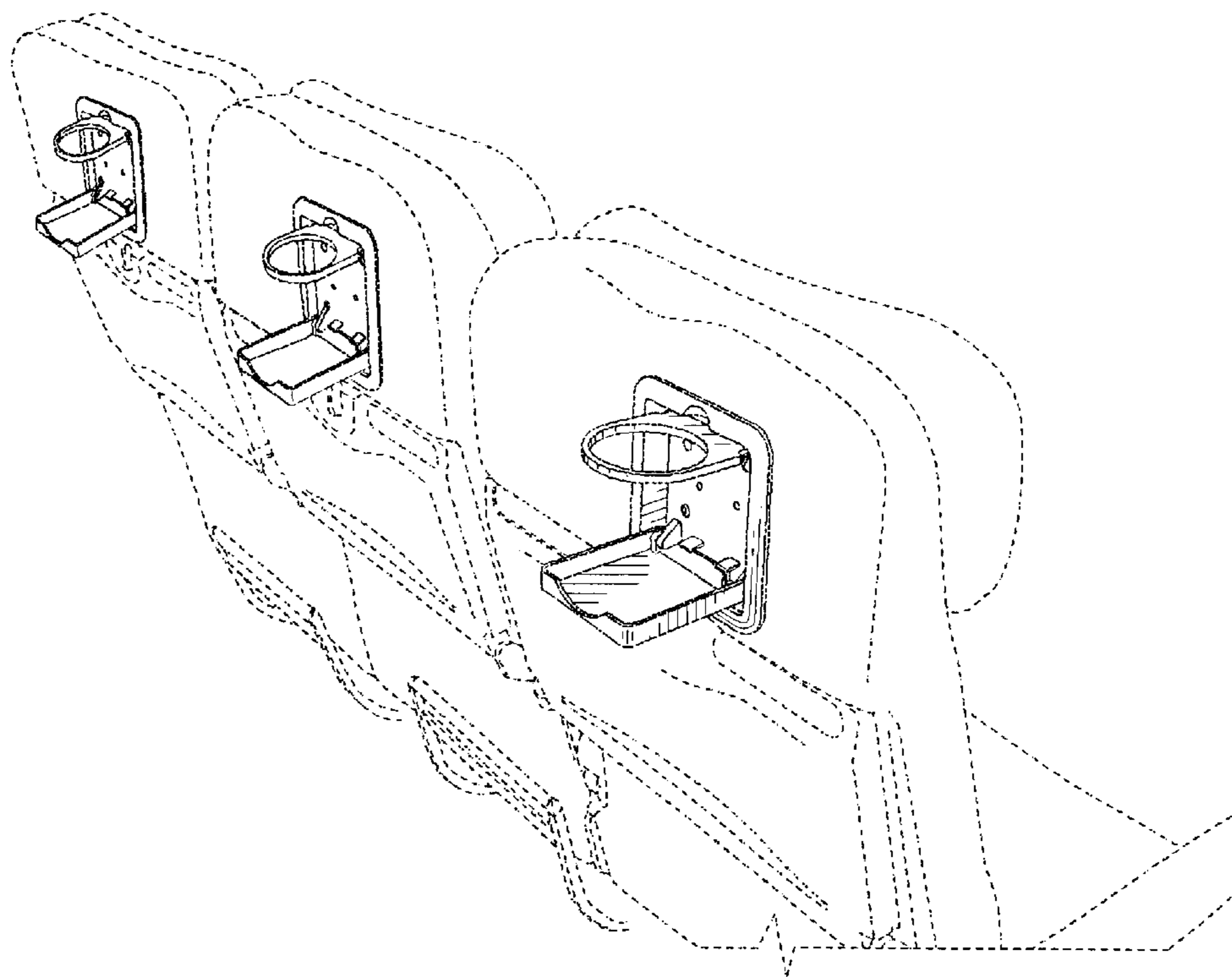
D272,402 S	1/1984	Marrujo	
D280,263 S	* 8/1985	Hoye	D12/419
4,790,496 A	12/1988	Marrujo	
4,828,211 A	* 5/1989	McConnell et al.	..... 248/311.2
5,072,909 A	* 12/1991	Huang	..... 248/311.2
5,318,266 A	* 6/1994	Liu	..... 248/311.2
D355,337 S	* 2/1995	Eisenbraun et al.	..... D7/620
5,423,508 A	* 6/1995	Isenga et al.	..... 248/311.2
5,505,417 A	* 4/1996	Plocher	..... 248/311.2
5,560,683 A	10/1996	Penley et al.	
5,601,268 A	* 2/1997	Dunchock	..... 248/311.2
5,997,082 A	* 12/1999	Vincent et al.	..... 297/188.19
6,047,937 A	* 4/2000	Huang	..... 248/311.2

**1 Claim, 8 Drawing Sheets**

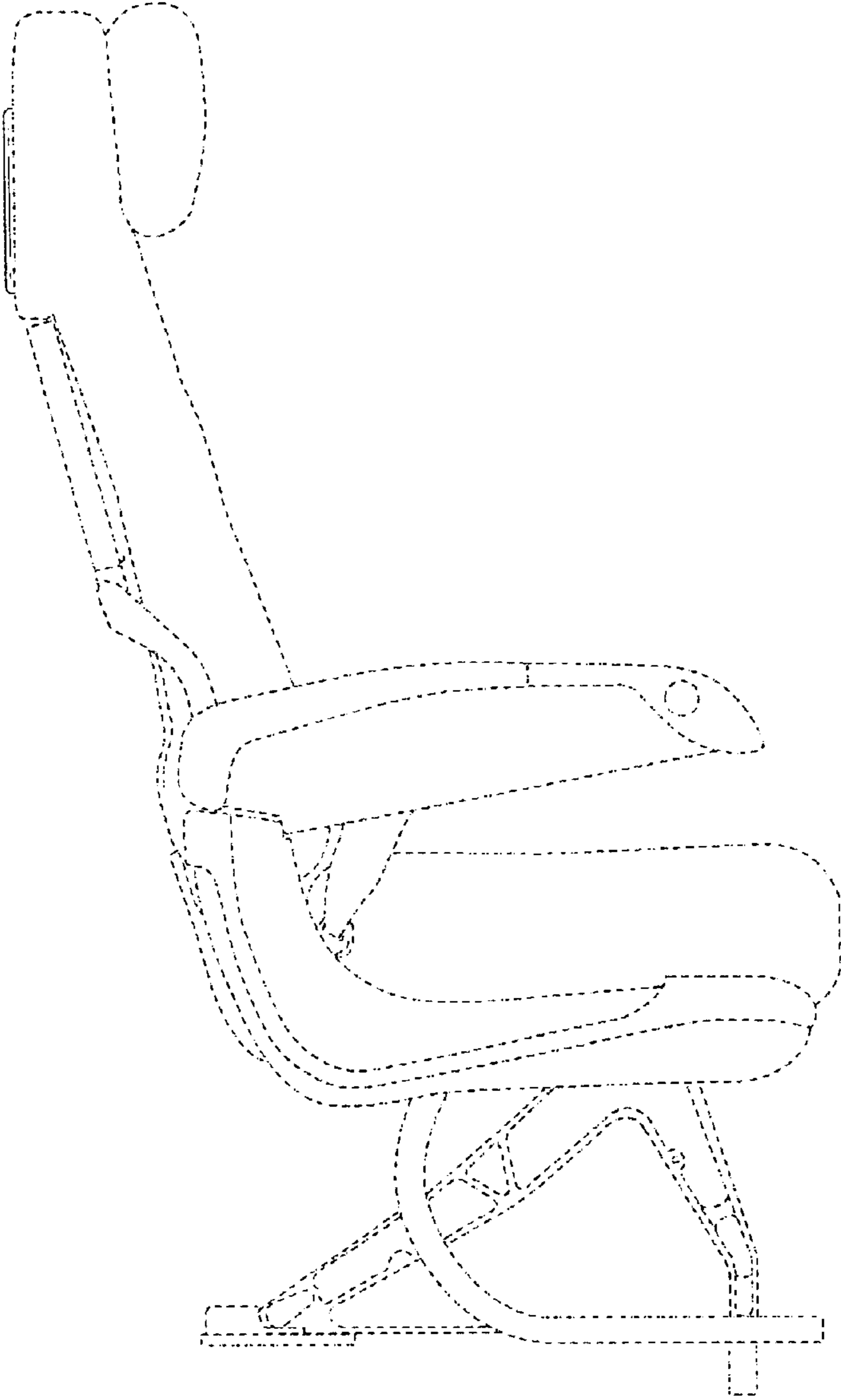




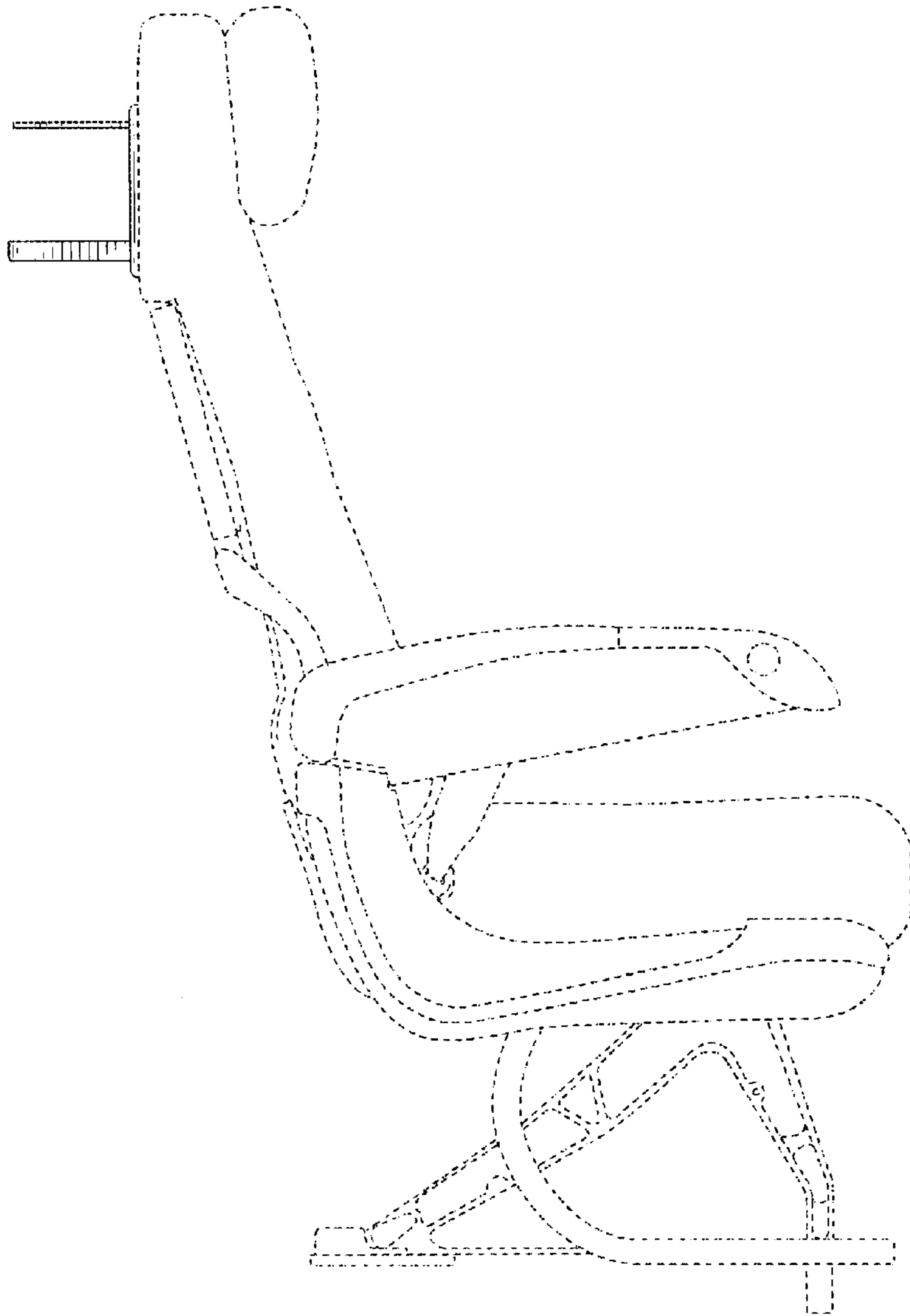
*FIG. 1.*



**FIG. 2.**



**FIG. 3.**



**FIG. 4.**

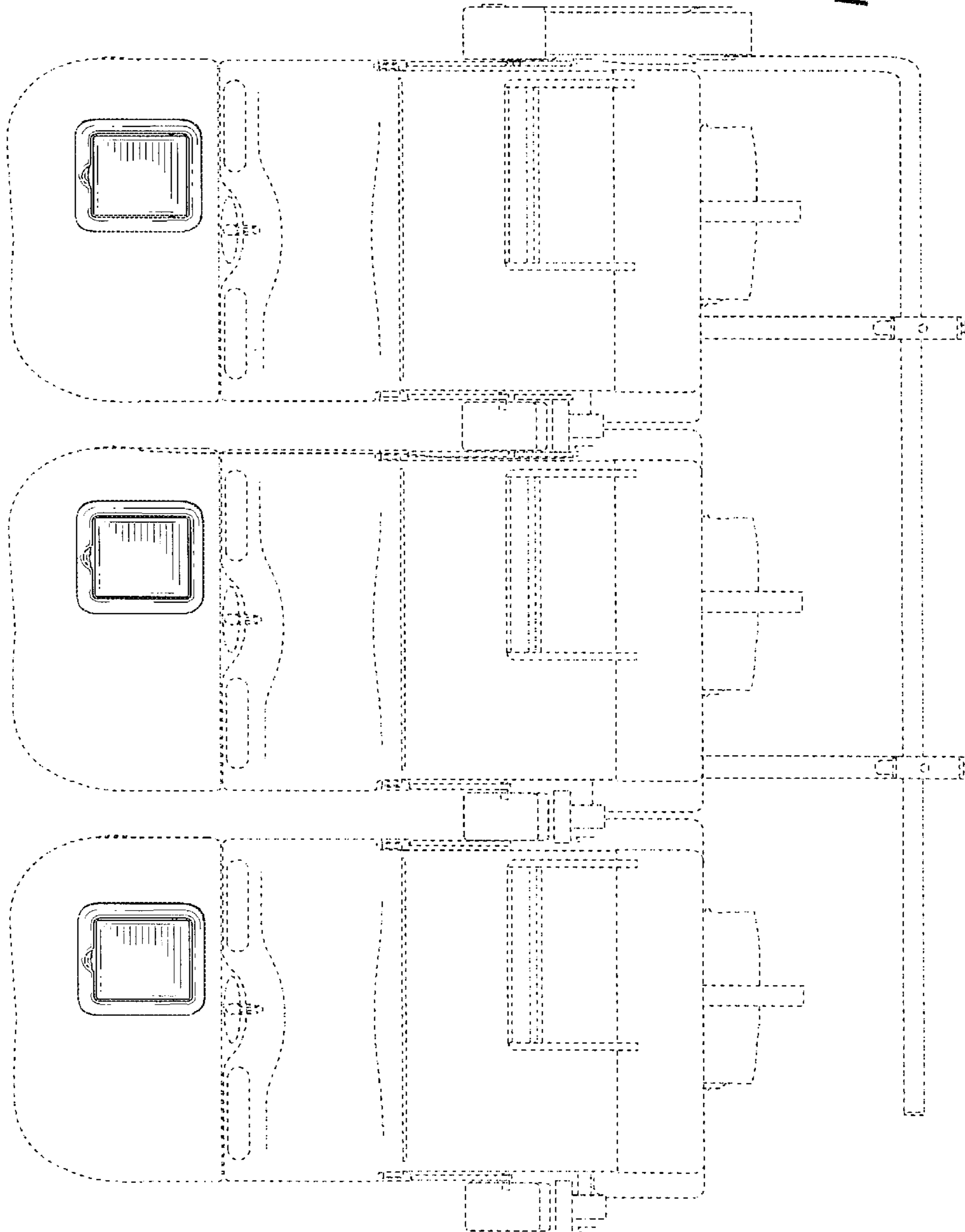


FIG. 5.



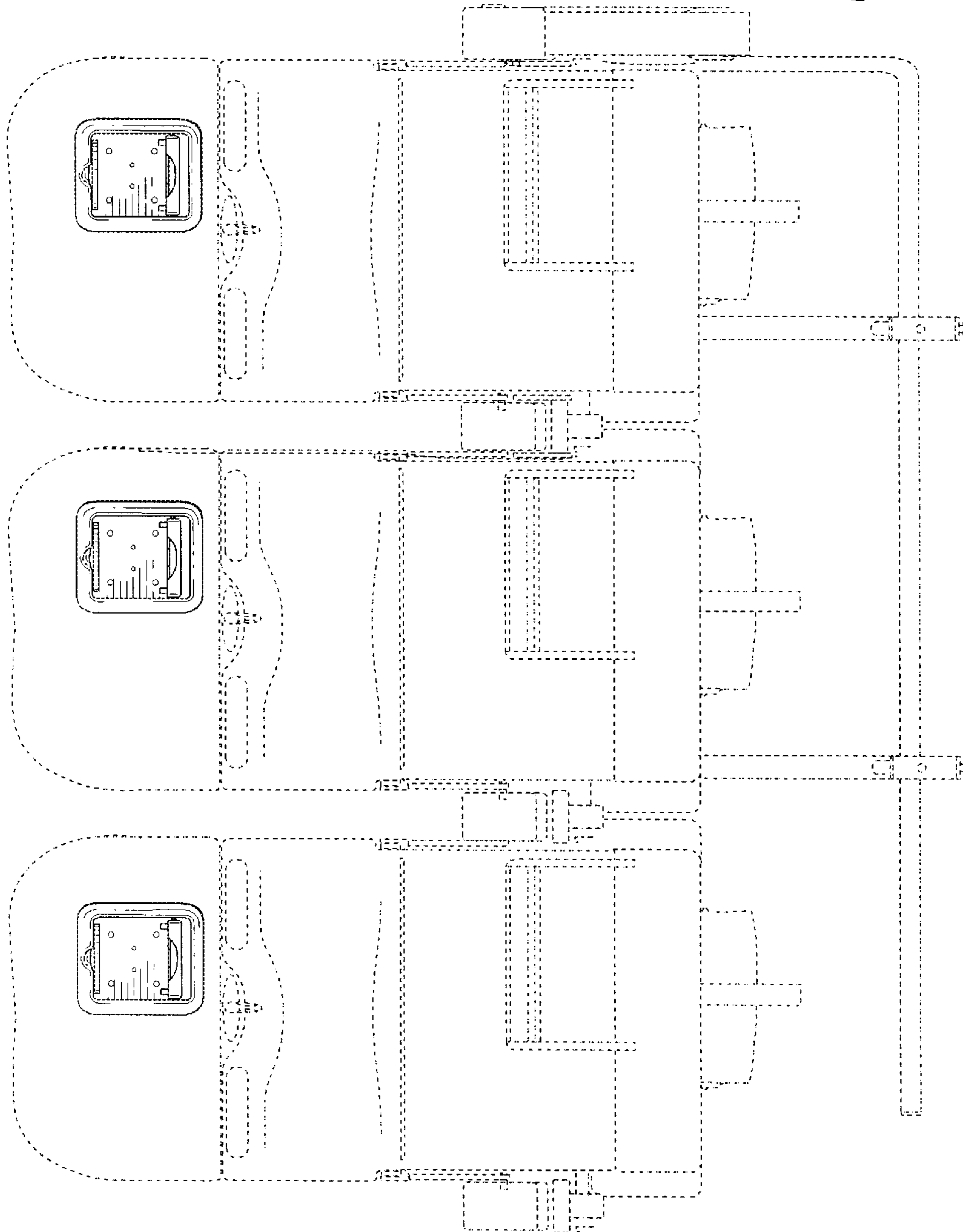


FIG. 6.

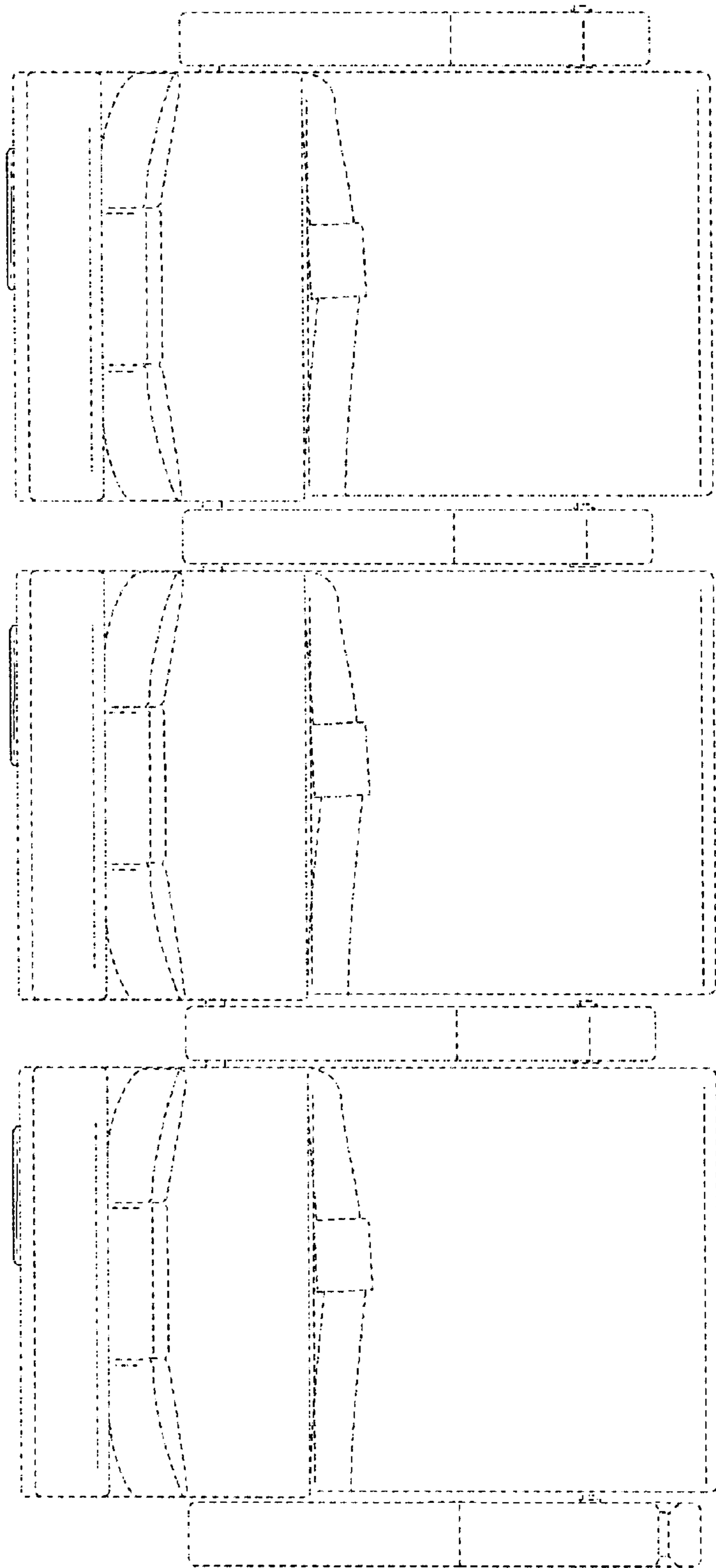


FIG. 7.



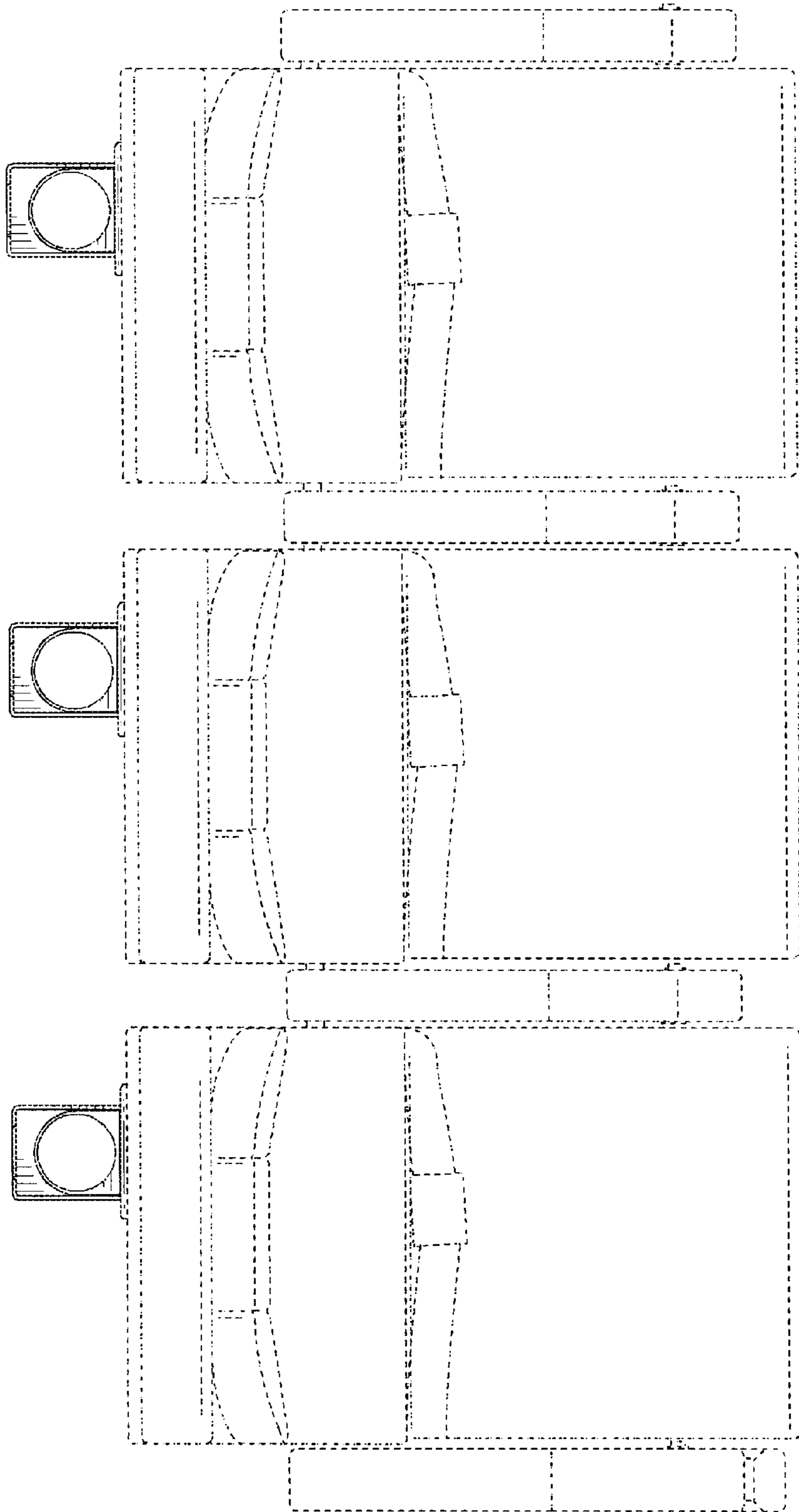


FIG. 8.