

US00D496195S1

(12) **United States Design Patent**
Campbell et al.

(10) **Patent No.:** **US D496,195 S**

(45) **Date of Patent:** **** Sep. 21, 2004**

(54) **DISPLAY CASE FOR COLLECTIBLES**

D424,621 S * 5/2000 Mandokoro et al. D19/90
D437,600 S * 2/2001 Calfee D14/447
D473,721 S * 4/2003 Chu D6/314

(76) Inventors: **Deborah Campbell**, 40 E. Main St.,
Milford, MA (US) 01757; **Christopher**
Wright, 3 Plain St., Milford, MA (US)
01757

* cited by examiner

Primary Examiner—Cathron Brooks

(74) *Attorney, Agent, or Firm*—Cooper & Dunham LLP

(**) **Term:** **14 Years**

(57) **CLAIM**

(21) **Appl. No.:** **29/191,404**

The ornamental design for a display case for collectibles, as shown and described.

(22) **Filed:** **Oct. 7, 2003**

(51) **LOC (7) Cl.** **06-04**

DESCRIPTION

(52) **U.S. Cl.** **D6/471; D6/466**

FIG. 1 is a front elevational view showing my new design for a display case for collectibles;

(58) **Field of Search** D6/300, 310, 314,
D6/466, 470-472; D19/91; D20/10, 41;
248/441.1, 444.1, 174; 211/42, 45

FIG. 2 is a top plan view thereof;
FIG. 3 is a right side elevational view thereof, the left side being a mirror image thereof;

(56) **References Cited**

U.S. PATENT DOCUMENTS

D284,777 S * 7/1986 Anthony D19/91
5,358,208 A * 10/1994 Moseley et al. 248/441.1
5,405,019 A * 4/1995 Cross 211/42
5,934,487 A * 8/1999 Hoeg 211/50

FIG. 4 is a rear view thereof; and,

FIG. 5 is a bottom view thereof.

The broken lines shown are for illustrative purposes only and form no part of the claimed design.

1 Claim, 2 Drawing Sheets

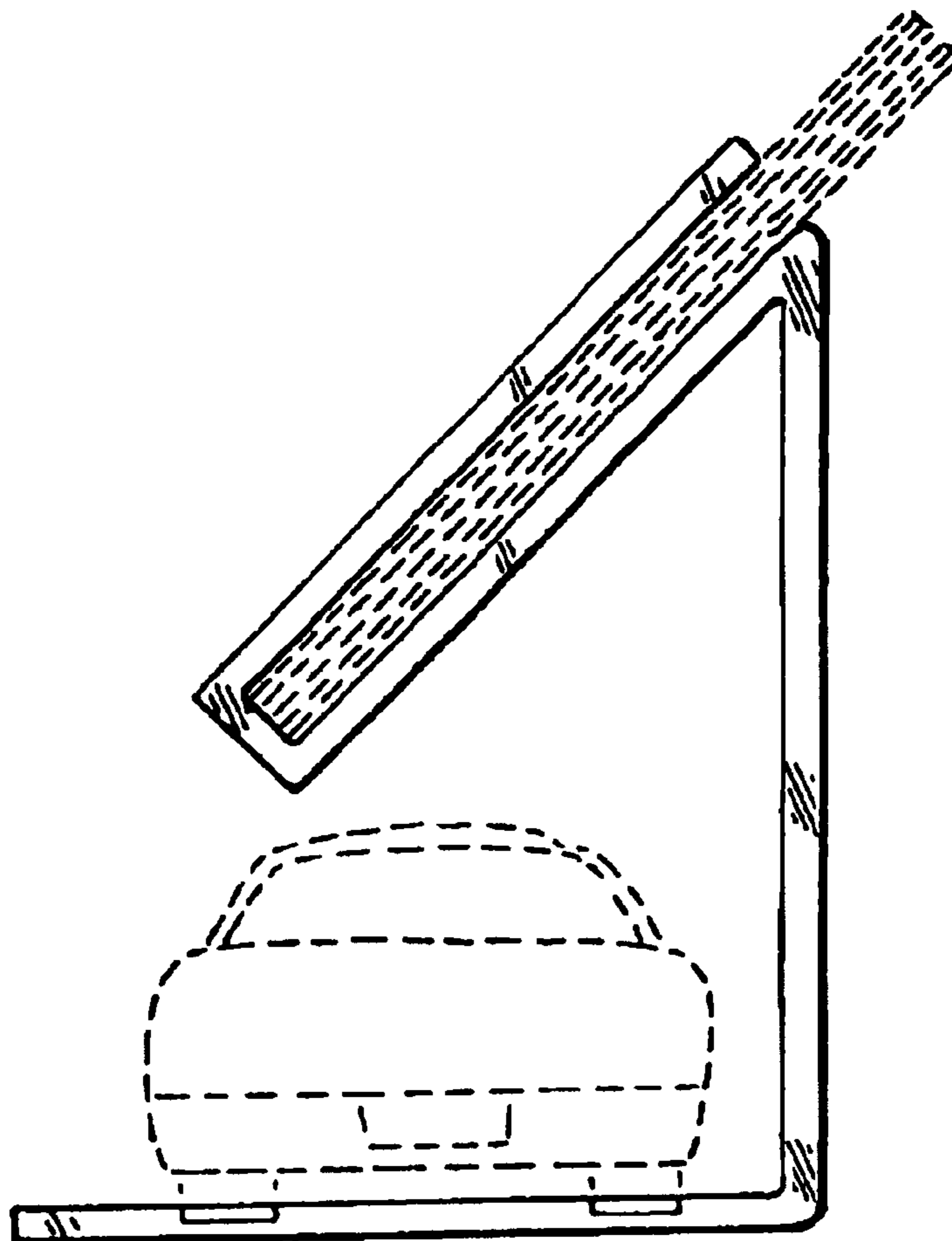


FIG. 1

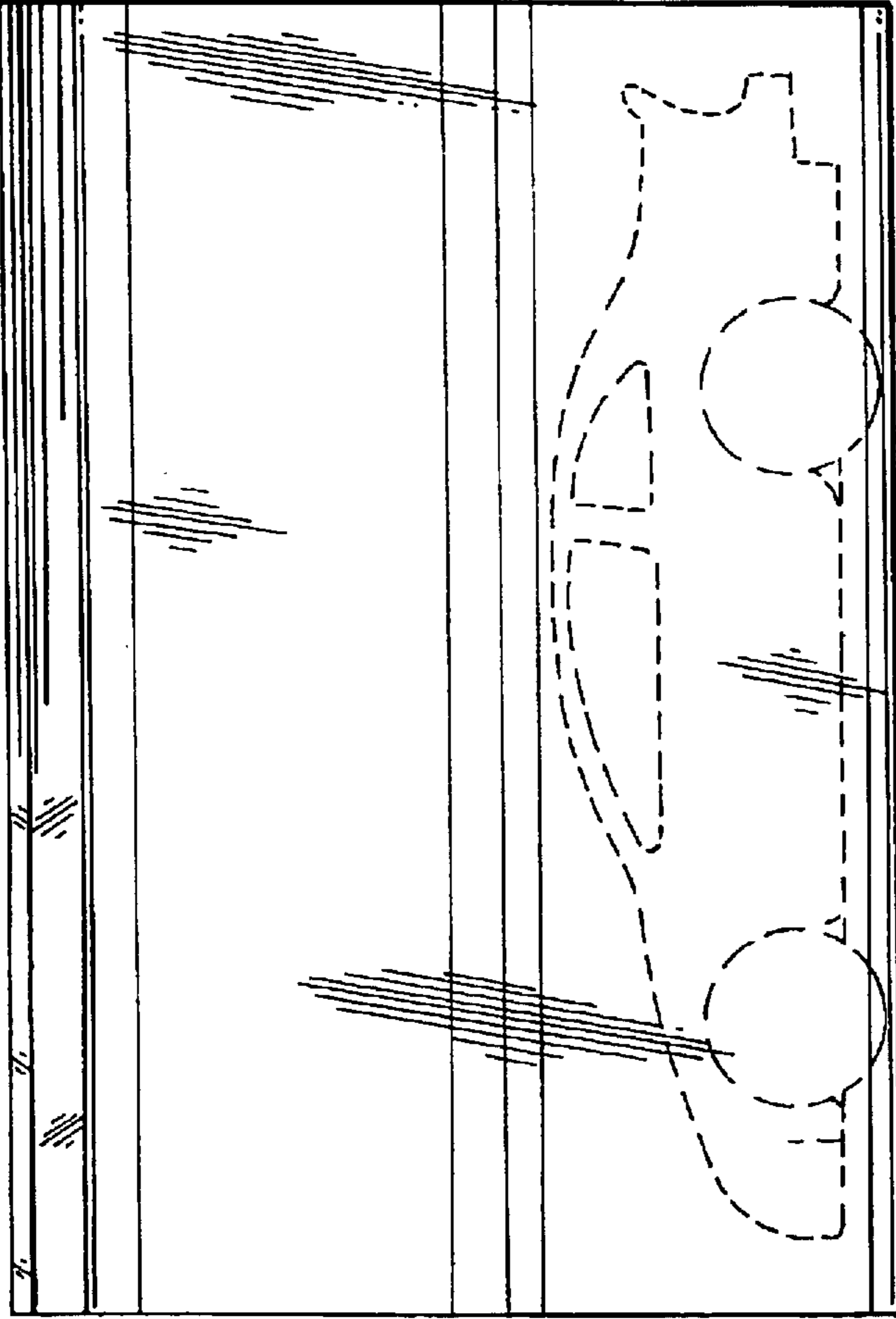


FIG. 3

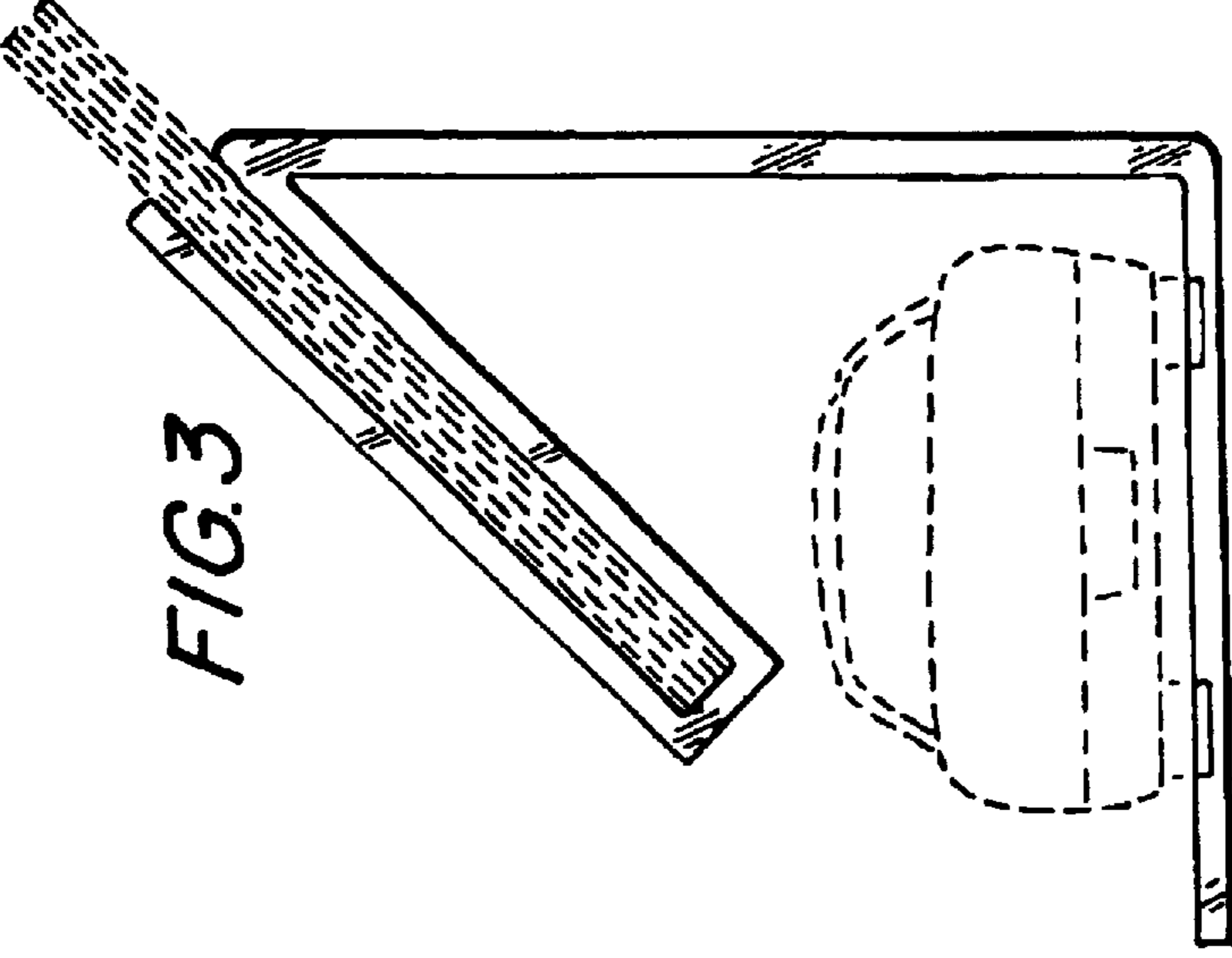


FIG. 2

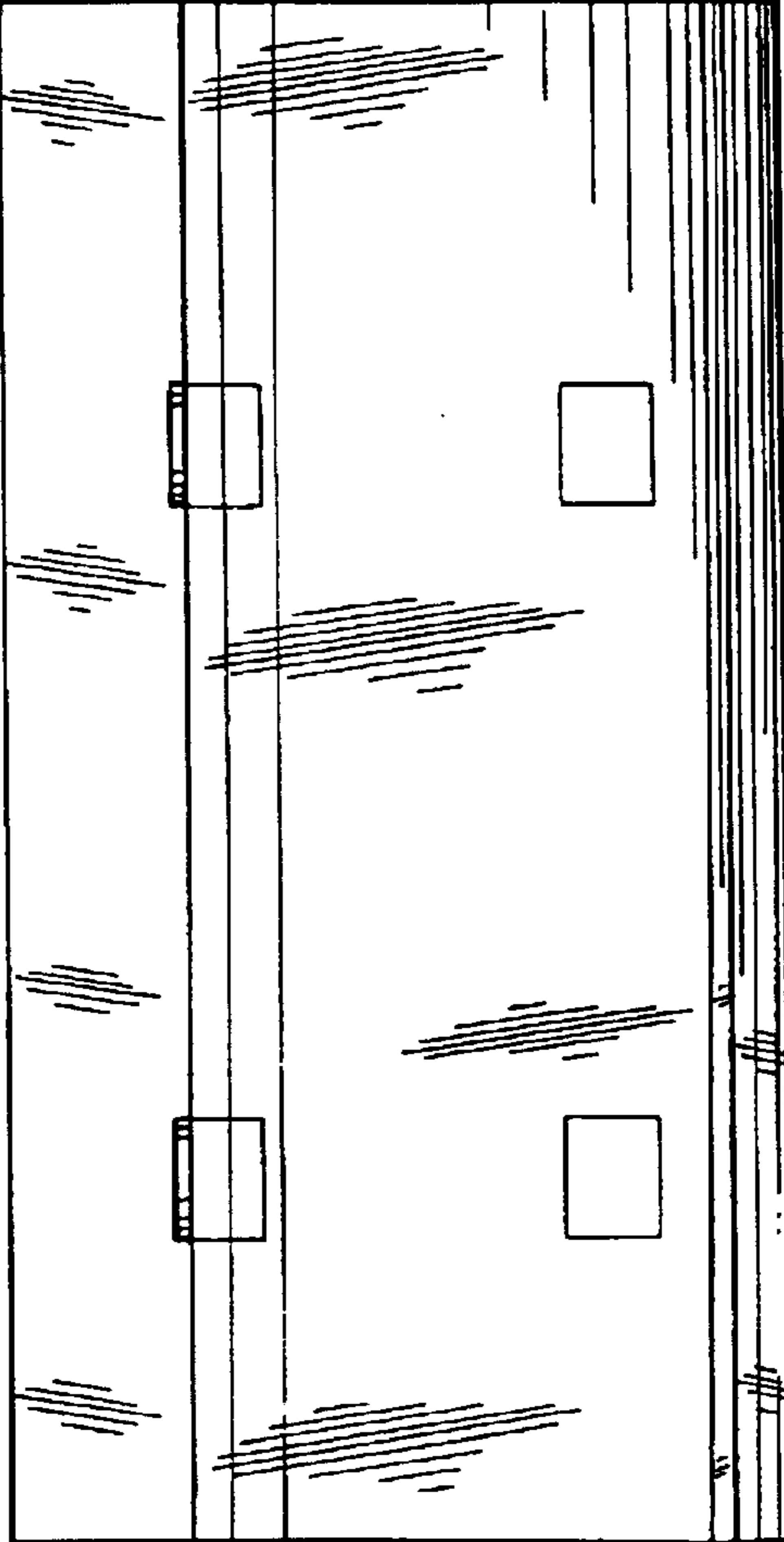


FIG. 4

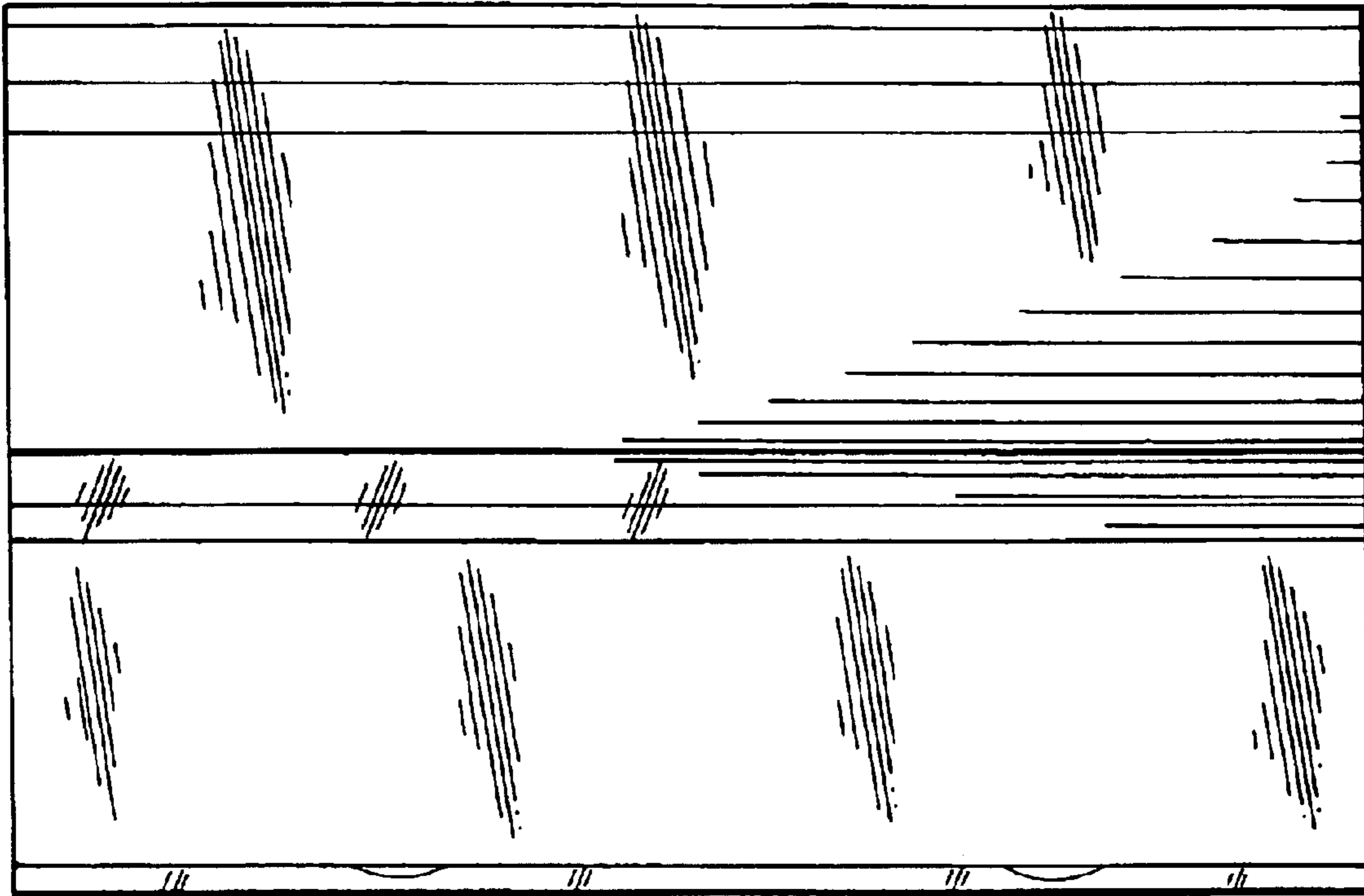


FIG. 5

