

US00D496192S1

(12) **United States Design Patent** (10) **Patent No.:** **US D496,192 S**
Walker (45) **Date of Patent:** **** Sep. 21, 2004**

(54) **REMOTE CONTROL CONSOLE**

(76) Inventor: **David Walker**, 1493 Wolf Hunt Dr., Collierville, TN (US) 38017

(**) Term: **14 Years**

(21) Appl. No.: **29/188,627**

(22) Filed: **Aug. 21, 2003**

(51) **LOC (7) Cl.** **06-04**

(52) **U.S. Cl.** **D6/466**

(58) **Field of Search** D6/449, 466, 475, D6/477, 467, 468, 476, 510, 511; D7/553.3, 554.4; D19/91, 92; 206/39.6, 215, 372, 449, 555-557, 561; 211/10, 11, 13.1, 45, 49.1, 50, 126.1; 248/205.2, 441.1, 451, 453; D14/218; D3/304, 309; D9/341, 432

(56) **References Cited**

U.S. PATENT DOCUMENTS

D251,251 S	*	3/1979	Tiedemann	D19/92
4,450,955 A	*	5/1984	Featherston	206/39.6
4,848,571 A	*	7/1989	Fullar	206/372
D332,360 S	*	1/1993	Golds	D6/475
D337,618 S	*	7/1993	Chan	D19/92
D425,937 S	*	5/2000	Serrault et al.	D19/92

OTHER PUBLICATIONS

Remote Rack Remote Control Holder located at <http://www.idave.com/remoterackidave.htm> (Jul. 15, 2003).

* cited by examiner

Primary Examiner—Mimosa De

(74) *Attorney, Agent, or Firm*—Walker, McKenzie & Walker, P.C.

(57) **CLAIM**

The ornamental design for a remote control console, as shown and described.

DESCRIPTION

FIG. 1 is a perspective view of a remote control console, showing a preferred embodiment of my new design.

FIG. 2 is a top plan view of the remote control console of FIG. 1.

FIG. 3 is a front elevation view of the remote control console of FIG. 1.

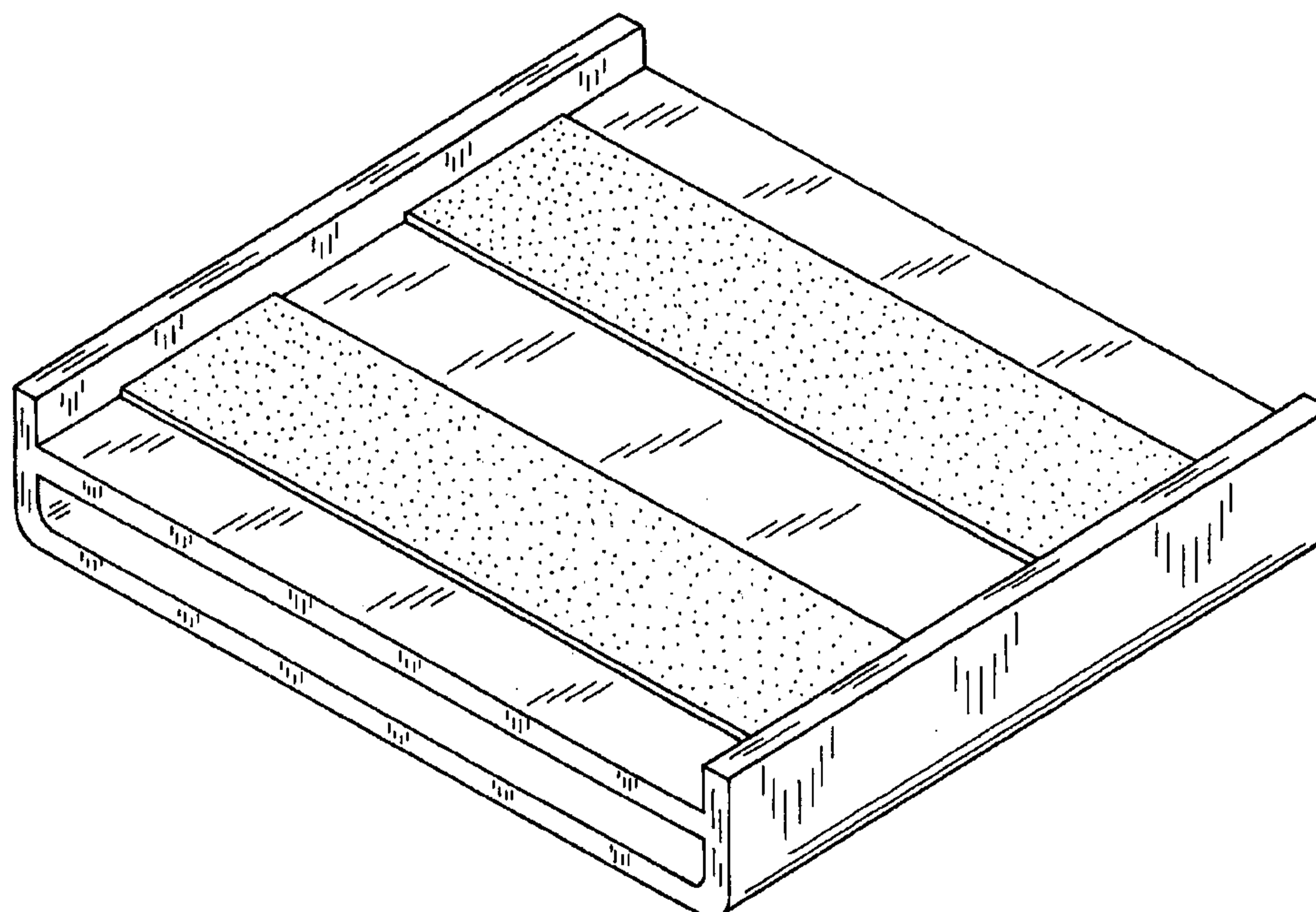
FIG. 4 is a right side elevation view of the remote control console of FIG. 1.

FIG. 5 is a bottom plan view of the remote control console of FIG. 1.

FIG. 6 is a rear elevation view of the remote control console of FIG. 1; and,

FIG. 7 is a left side elevation view of the remote control console of FIG. 1.

1 Claim, 3 Drawing Sheets



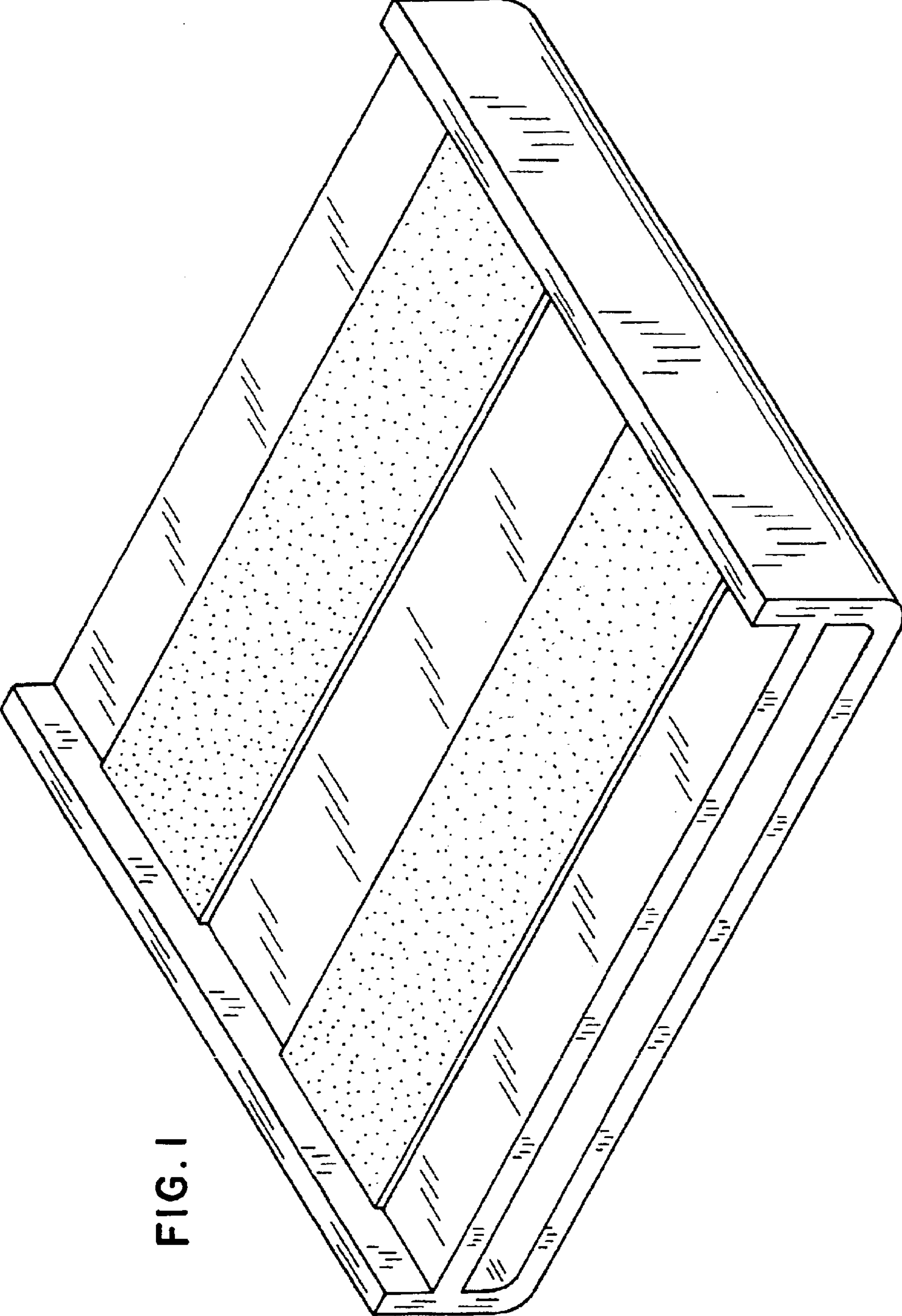


FIG. 1

FIG. 2

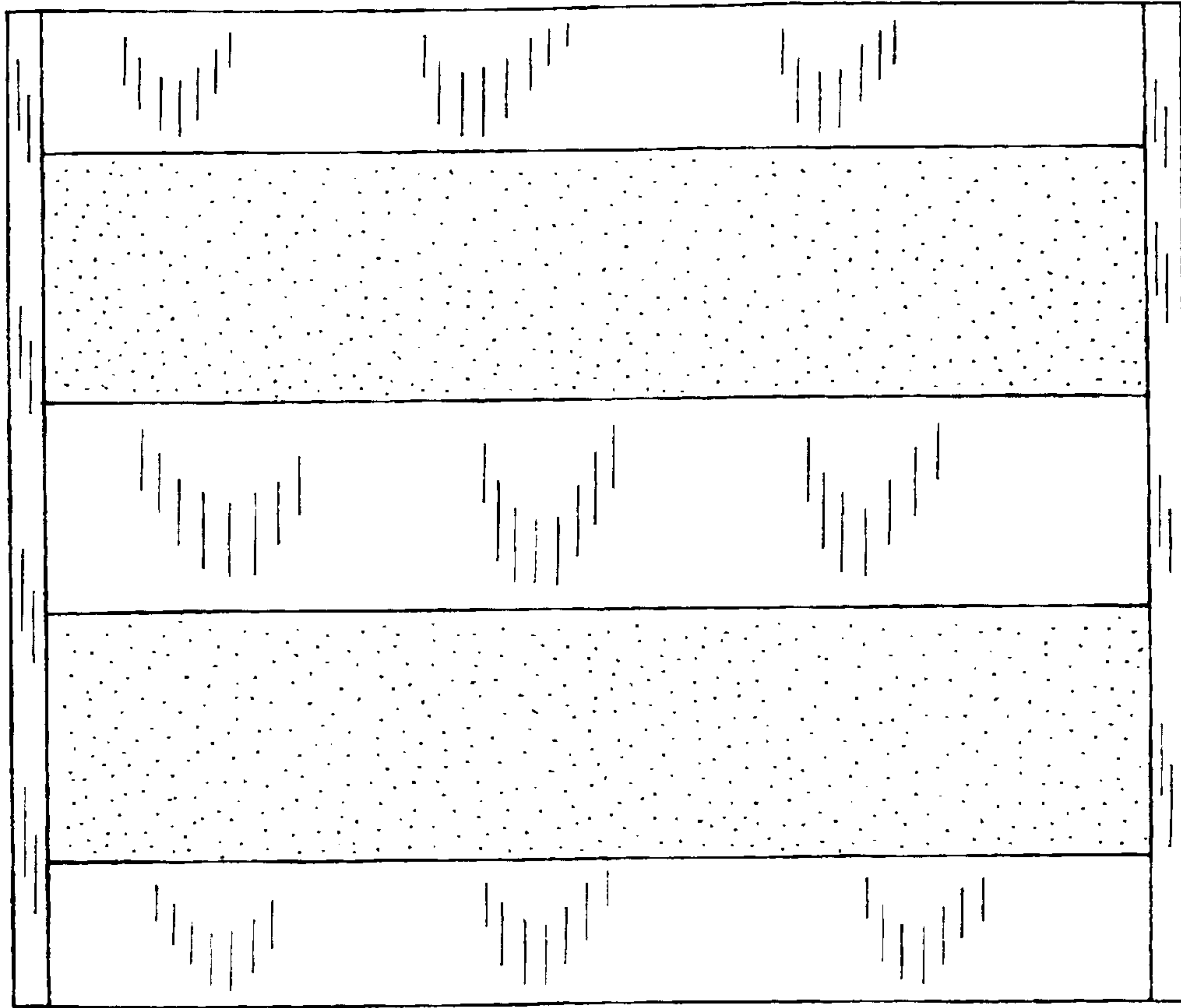


FIG. 3

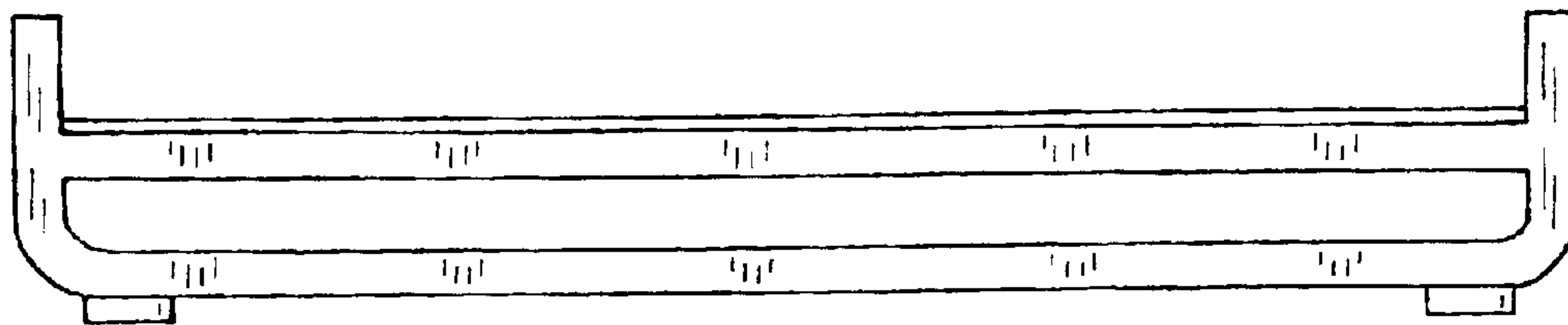


FIG. 4

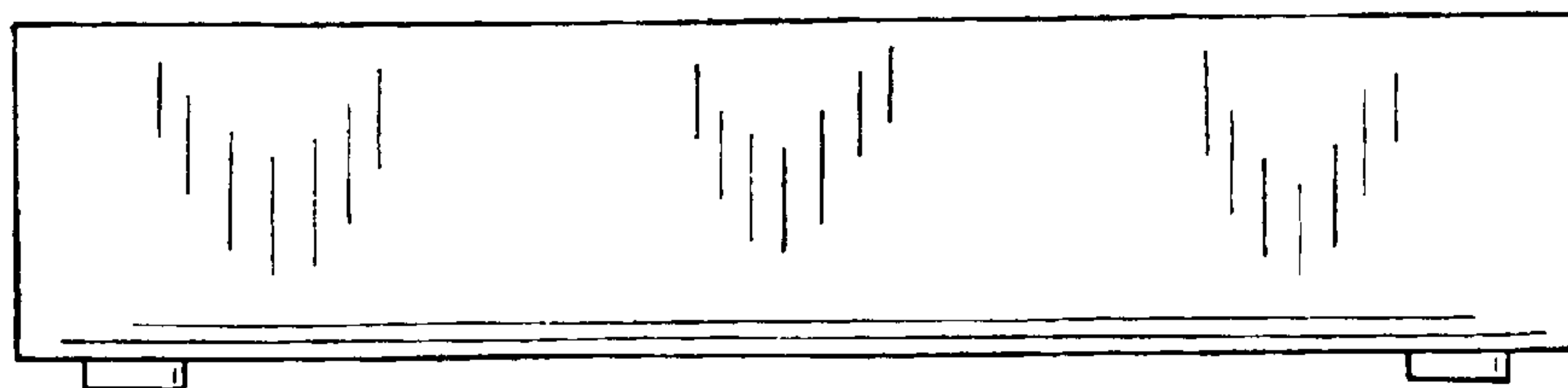


FIG. 5

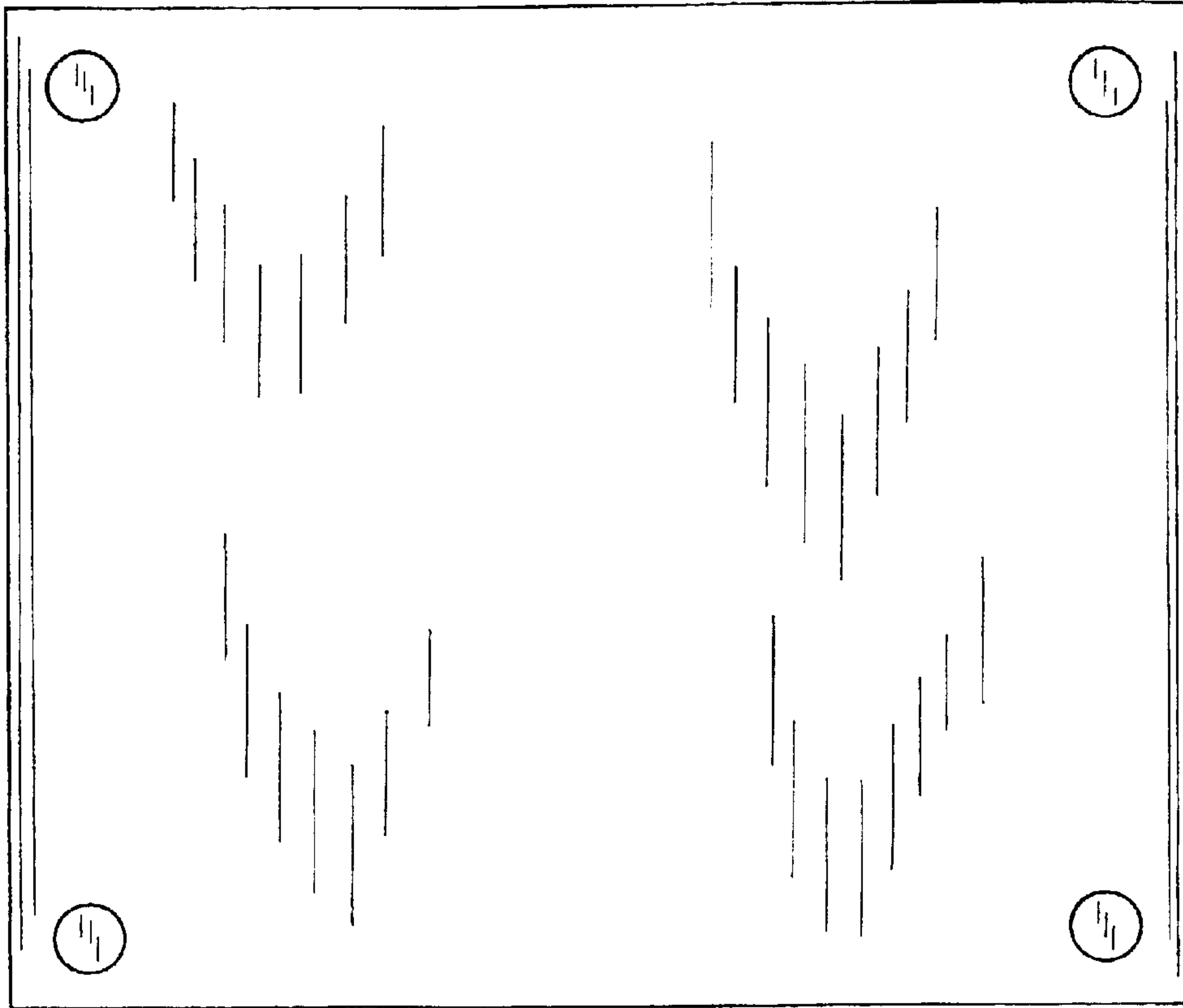


FIG. 6

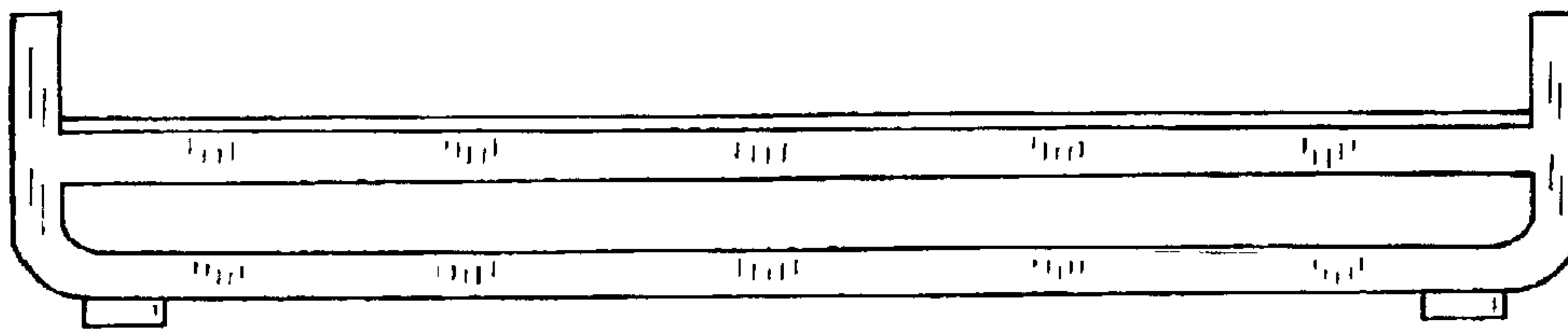


FIG. 7

