

US00D496191S1

(12) **United States Design Patent**  
**Johnson**

(10) **Patent No.: US D496,191 S**

(45) **Date of Patent: \*\* Sep. 21, 2004**

(54) **EYEWEAR HOLDER**

(76) **Inventor: Glendon R. Johnson**, 11496 E.  
Highline Dr., Aurora, CO (US) 80010

(\*\*) **Term: 14 Years**

(21) **Appl. No.: 29/192,223**

(22) **Filed: Oct. 20, 2003**

(51) **LOC (7) Cl. .... 06-04**

(52) **U.S. Cl. .... D6/465; D6/411; D6/458;**  
D6/468; D7/707

(58) **Field of Search** ..... D6/411, 415, 455-462,  
D6/464, 465, 467, 468, 491, 495; D7/701,  
707, 708; 211/13.1, 85.3, 123, 133.2, 181.1,  
182, 193, 205, 163; 248/27.8, 121, 175,  
465.1, 511, 512, 519

(56) **References Cited**

**U.S. PATENT DOCUMENTS**

- 1,038,198 A \* 9/1912 Randall et al. .... 211/205
- 1,089,290 A \* 3/1914 Thompson ..... 211/205
- 1,137,900 A \* 5/1915 Reichert ..... 211/163
- 3,204,779 A \* 9/1965 Warner ..... 211/205
- D206,677 S \* 1/1967 Hagle, Sr. et al. .... D6/458
- D239,070 S \* 3/1976 Grray ..... D6/462

- D271,913 S \* 12/1983 Nanfito et al. .... D6/462
- D312,556 S \* 12/1990 Ancona et al. .... D7/701
- D334,855 S \* 4/1993 Harrington et al. .... D6/458
- D344,619 S \* 3/1994 Klein ..... D7/707
- D465,946 S \* 11/2002 Boyd, Jr. .... D6/411
- 6,568,546 B1 \* 5/2003 Huang ..... 211/205

\* cited by examiner

*Primary Examiner*—Mimosa De

(74) *Attorney, Agent, or Firm*—Cochran Freund & Young  
LLC

(57) **CLAIM**

The ornamental design for an eyewear holder, as shown and described.

**DESCRIPTION**

FIG. 1 is an isometric view of an eyewear holder showing my new design.

FIG. 2 is a front plan view thereof.

FIG. 3 is a right side plan view thereof.

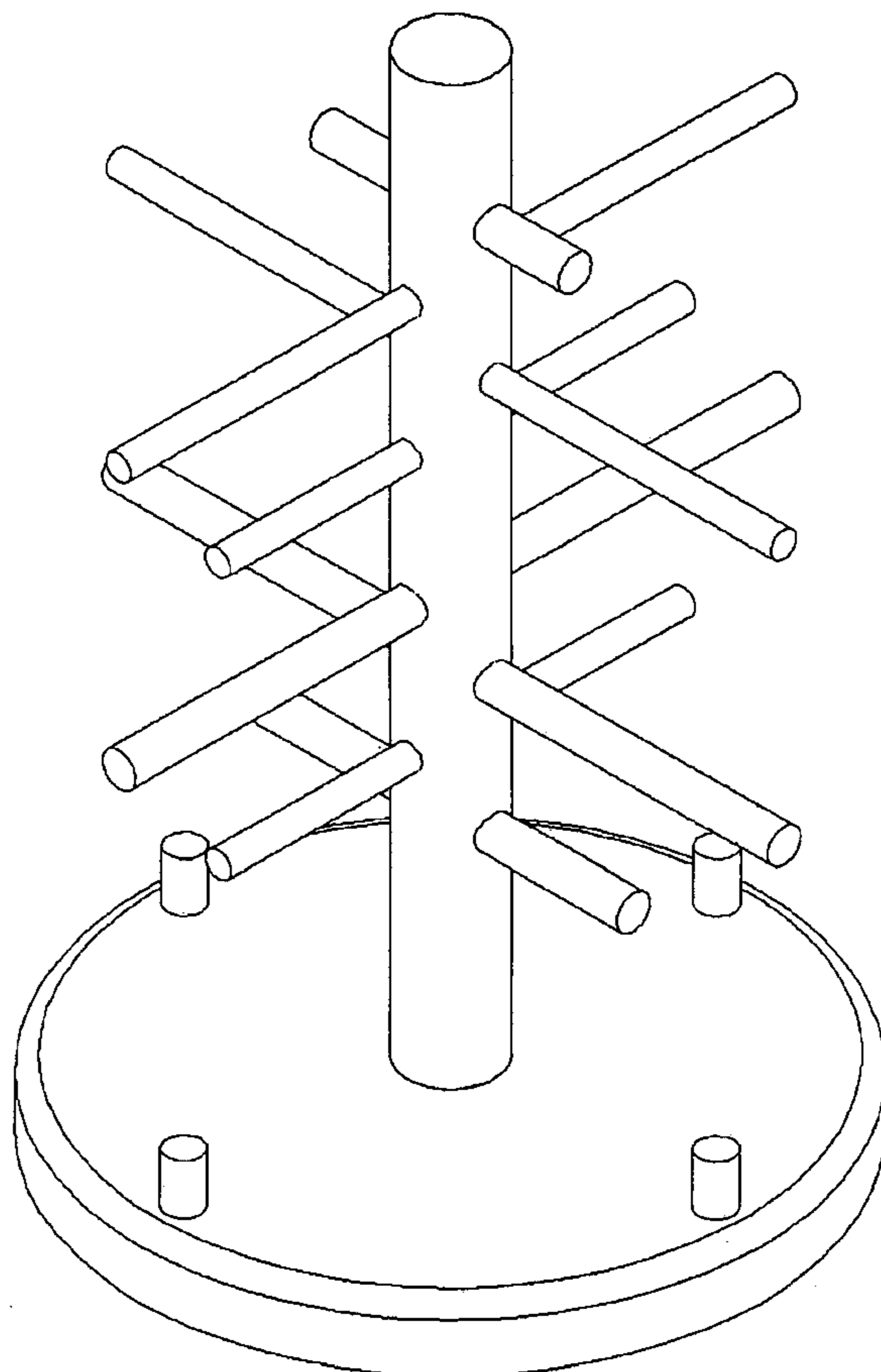
FIG. 4 is a left side plan view thereof;

FIG. 5 is a top plan view thereof;

FIG. 6 is a rear plan view thereof; and,

FIG. 7 is a bottom plan view thereof.

**1 Claim, 7 Drawing Sheets**



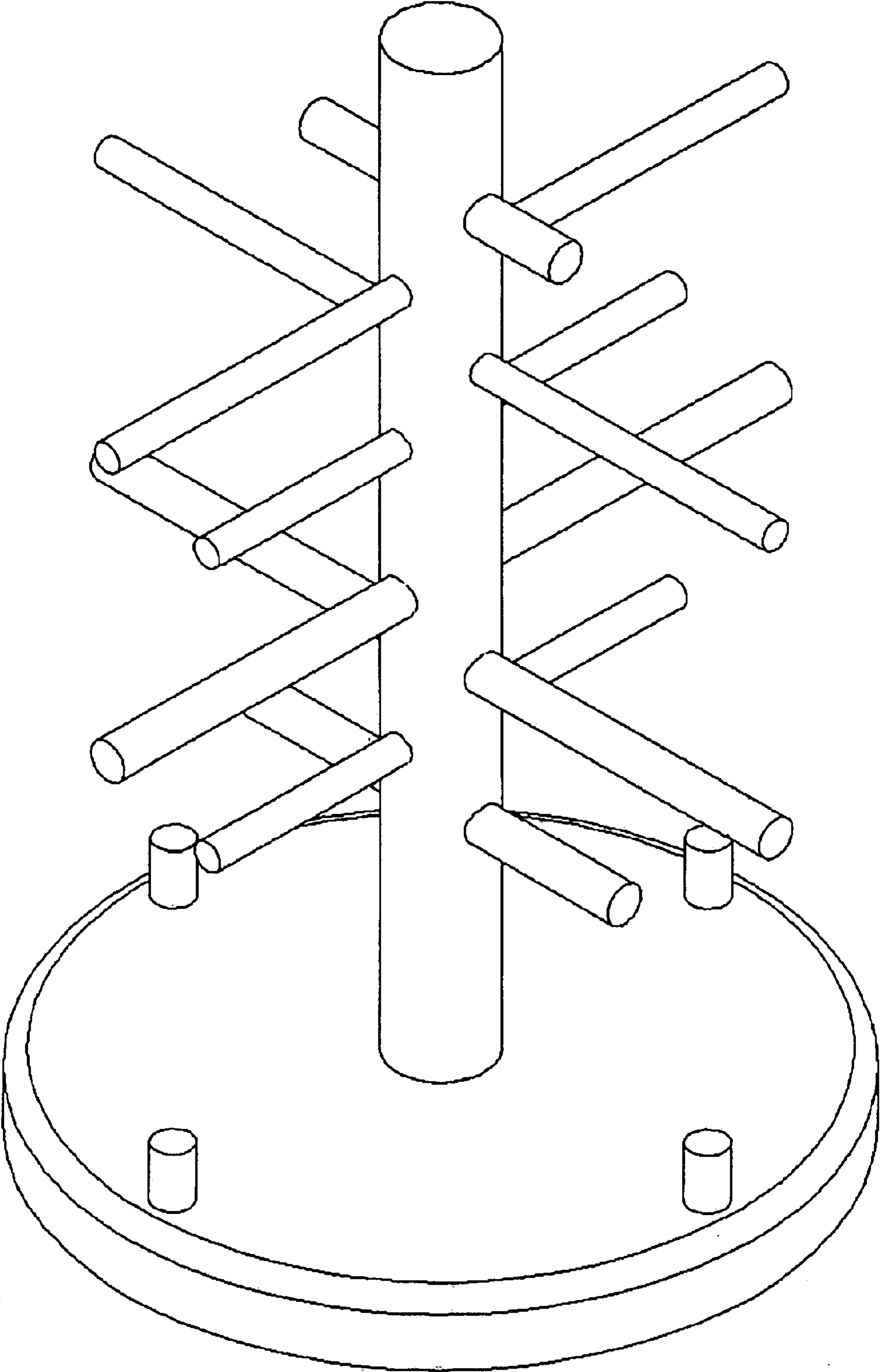


Figure 1

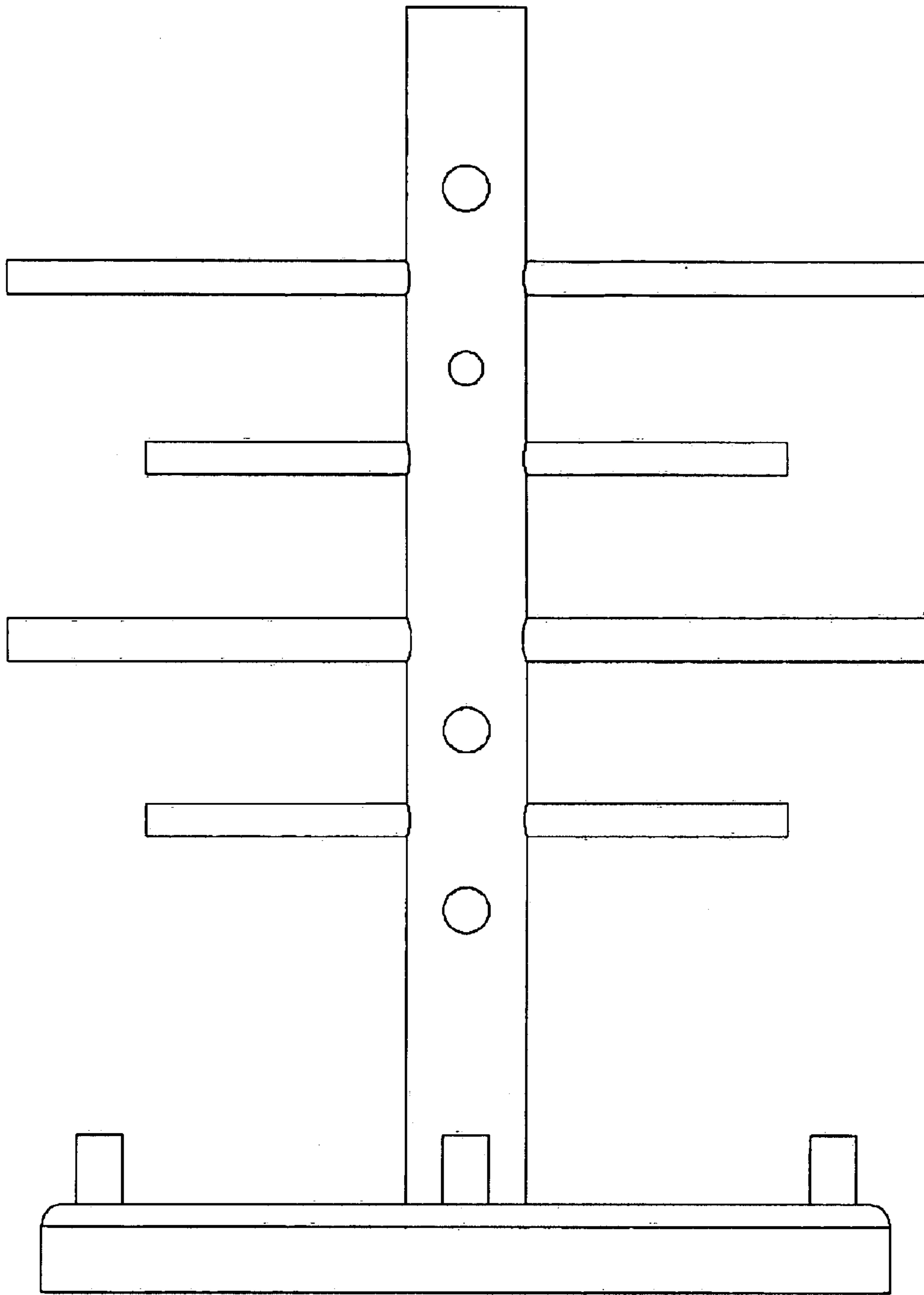


Figure 2

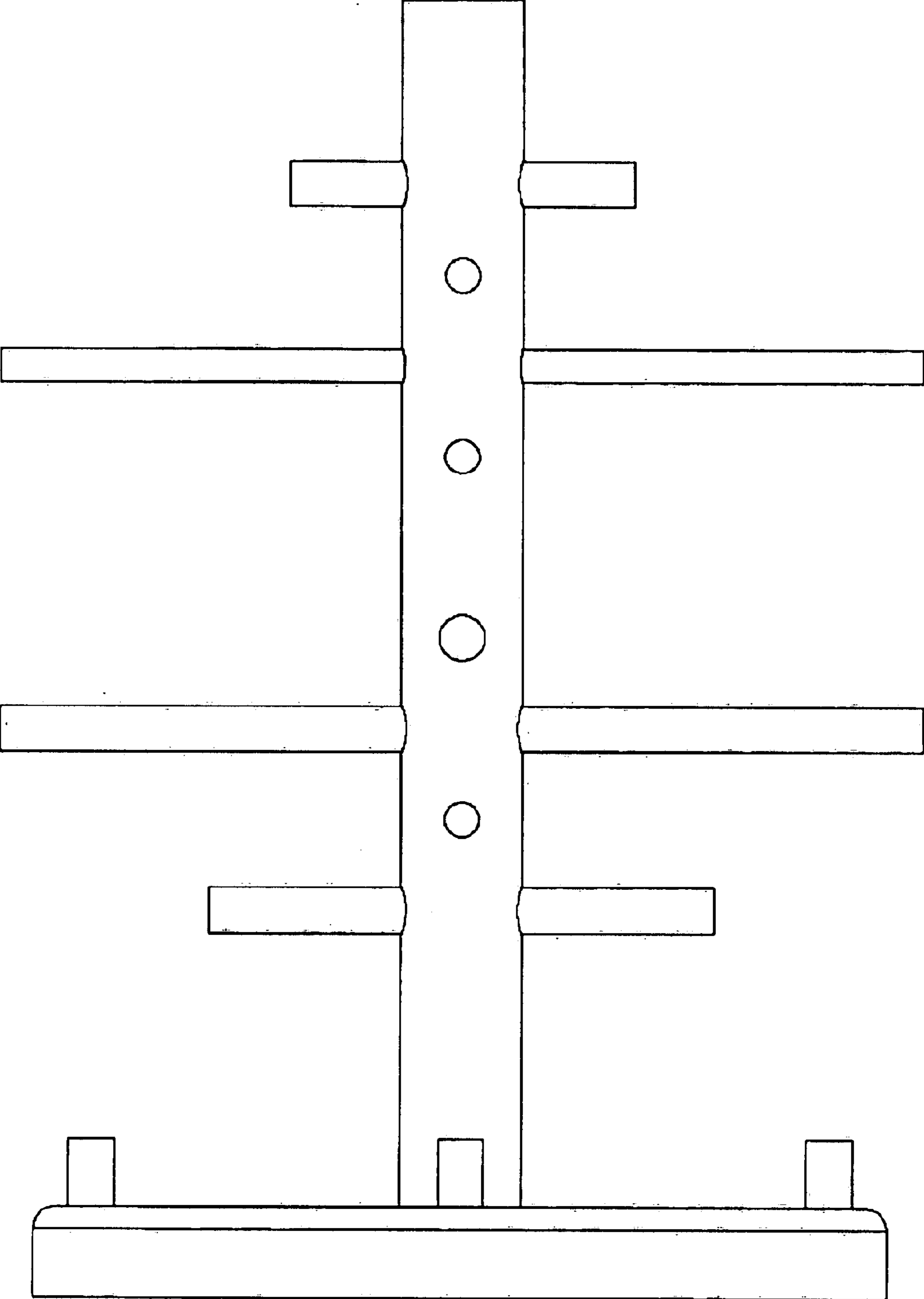


Figure 3

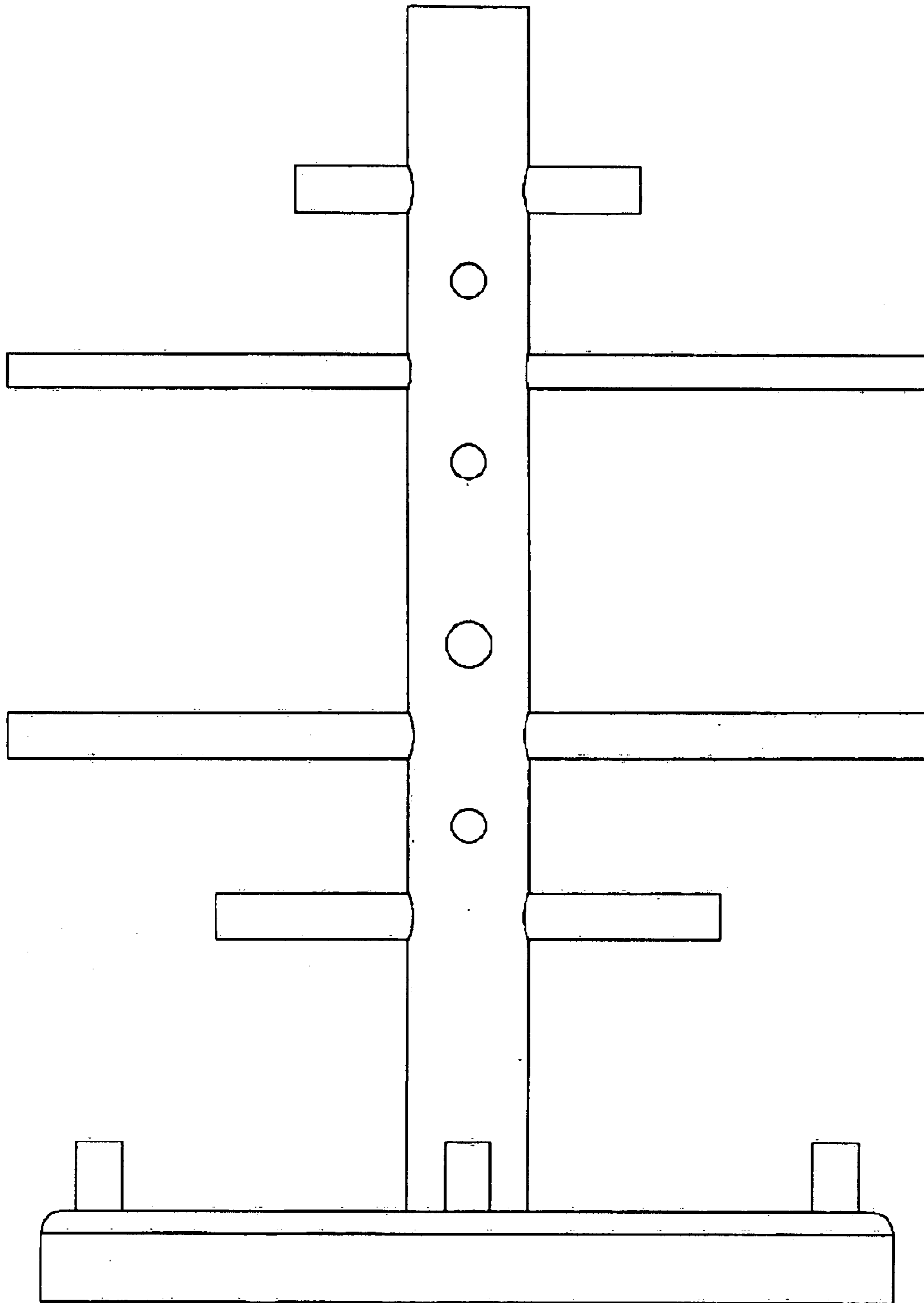


Figure 4

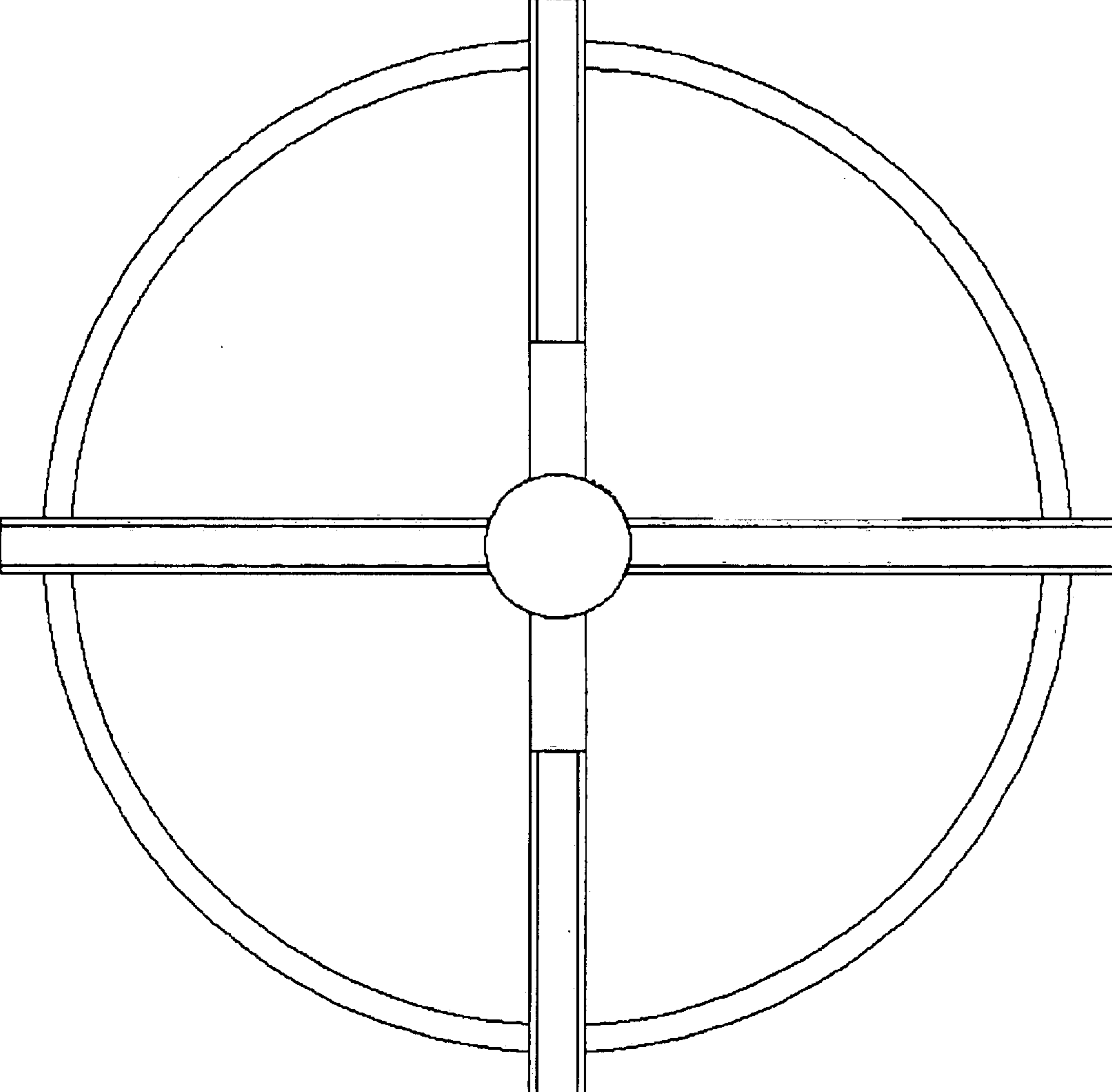


Figure 5

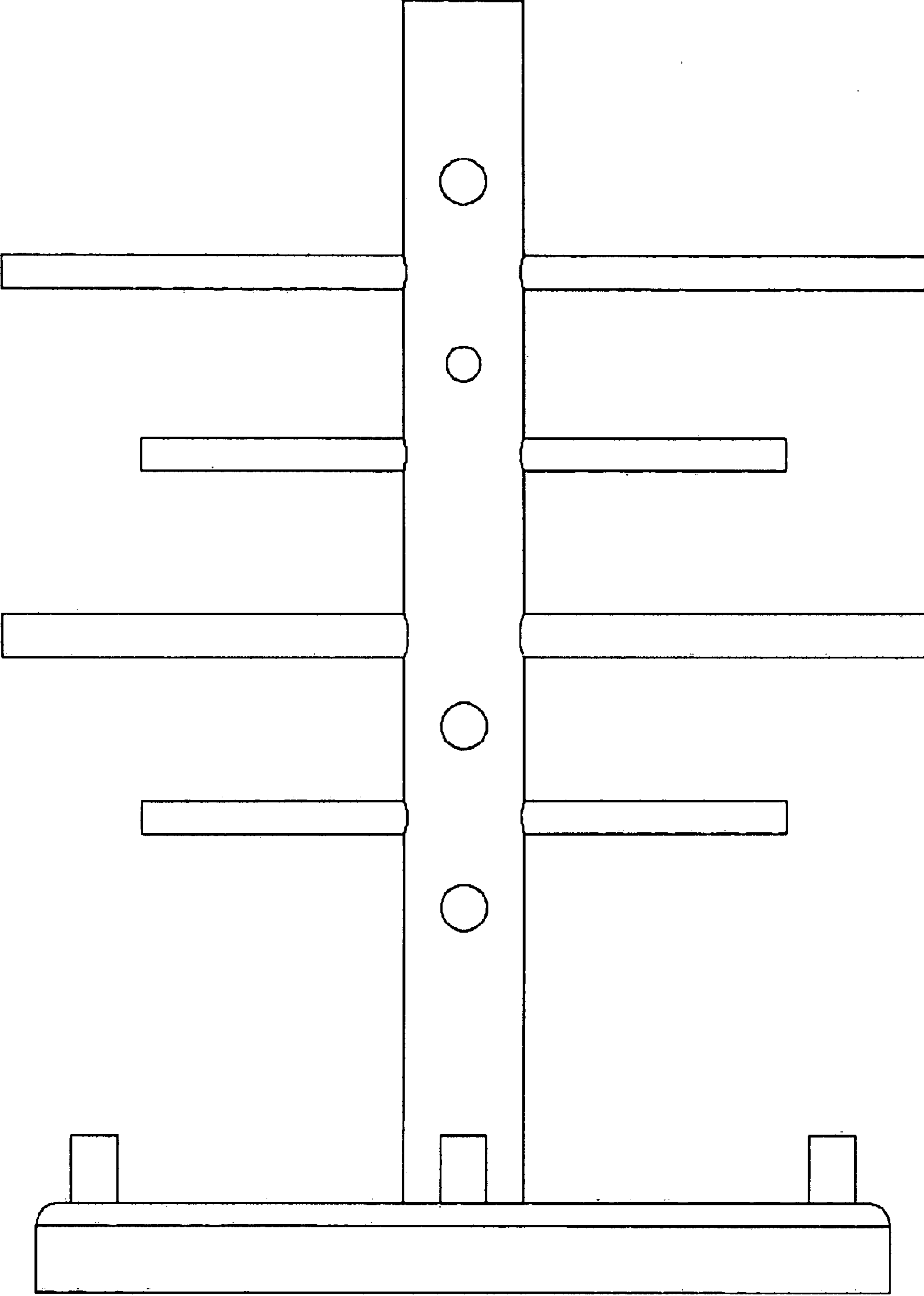
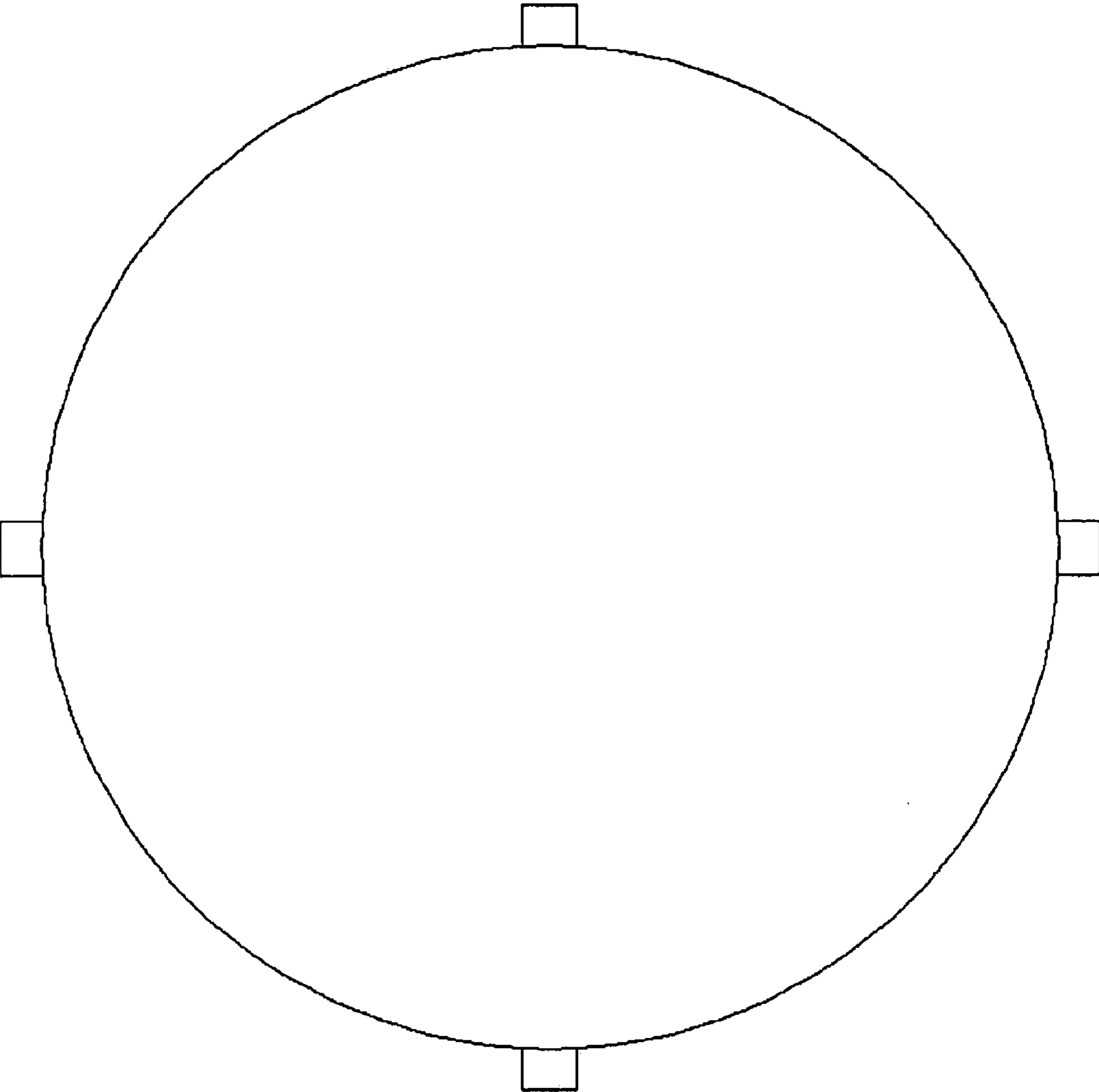


Figure 6



**Figure 7**