

US00D496190S1

(12) **United States Design Patent**
Mohundro

(10) **Patent No.:** **US D496,190 S**

(45) **Date of Patent:** **** Sep. 21, 2004**

(54) **DRESSER**

(75) **Inventor:** **James Glenn Mohundro, Taichung (TW)**

(73) **Assignee:** **Pacific Marketing International Co., Ltd., Taichung (TW)**

(**) **Term:** **14 Years**

(21) **Appl. No.:** **29/193,063**

(22) **Filed:** **Nov. 4, 2003**

(51) **LOC (7) Cl.** **06-04**

(52) **U.S. Cl.** **D6/446**

(58) **Field of Search** D6/432-448; 312/204, 312/224, 278, 279

(56) **References Cited**

U.S. PATENT DOCUMENTS

- D158,431 S * 5/1950 Bevelacqua D6/446
- D337,006 S * 7/1993 Black D6/446
- D374,572 S * 10/1996 Paus D6/445
- D374,784 S * 10/1996 Brunner et al. D6/445

- D415,629 S * 10/1999 Woudstra D6/445
- D430,427 S * 9/2000 Cain D6/446
- D433,845 S * 11/2000 Wilson et al. D6/446
- D469,982 S * 2/2003 Warren et al. D6/432

* cited by examiner

Primary Examiner—Cathron Brooks

(74) *Attorney, Agent, or Firm*—Rosenberg, Klein & Lee

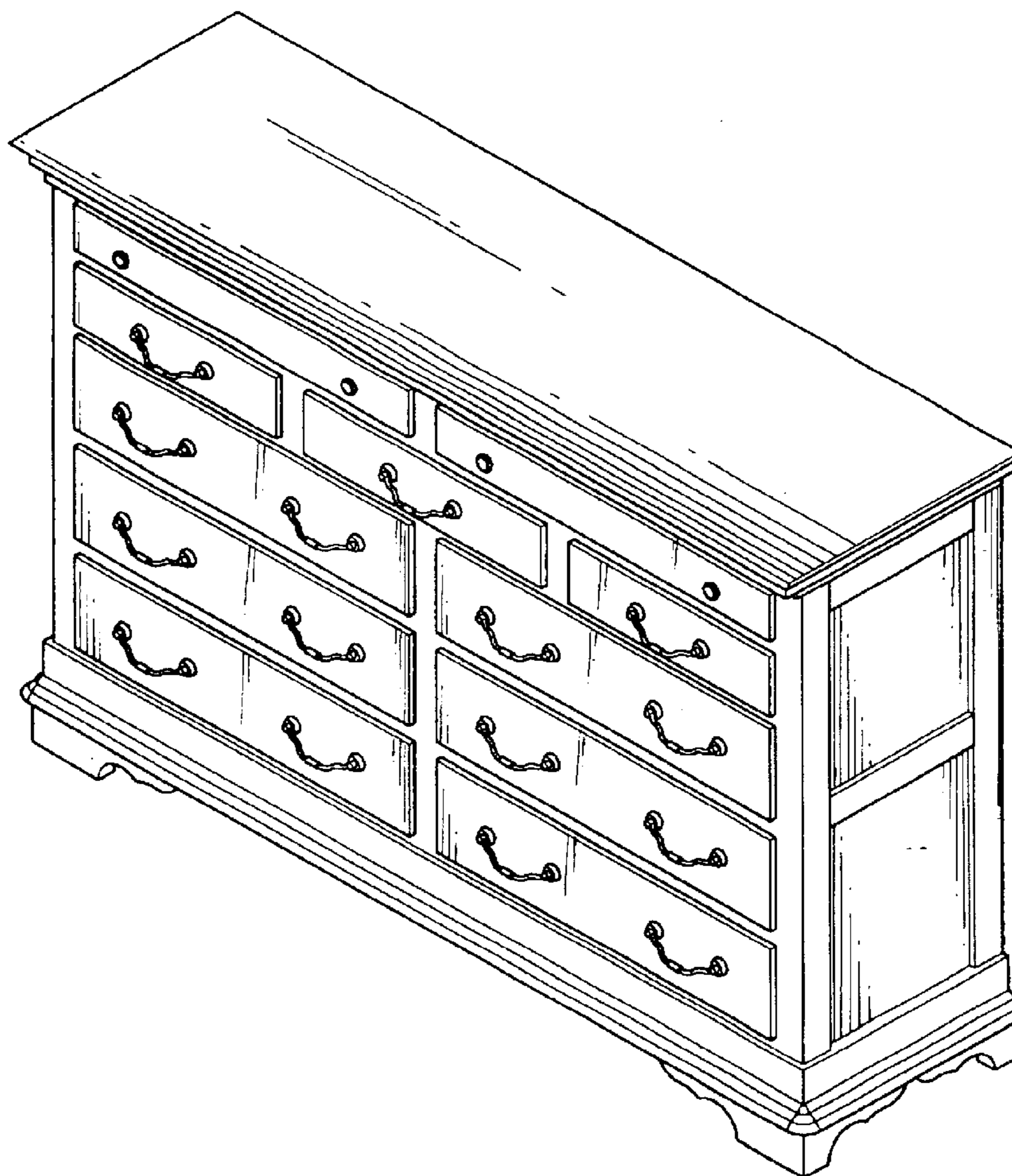
(57) **CLAIM**

The ornamental design for a dresser, as shown and described.

DESCRIPTION

FIG. 1 is a front-bottom perspective view of a dresser, showing my new design;
 FIG. 2 is a front elevational view thereof;
 FIG. 3 is a rear elevational view thereof;
 FIG. 4 is a left elevational view thereof; and
 FIG. 5 is a right elevational view thereof;
 FIG. 6 is a top plan view thereof; and,
 FIG. 7 is a bottom plan view thereof.

1 Claim, 5 Drawing Sheets



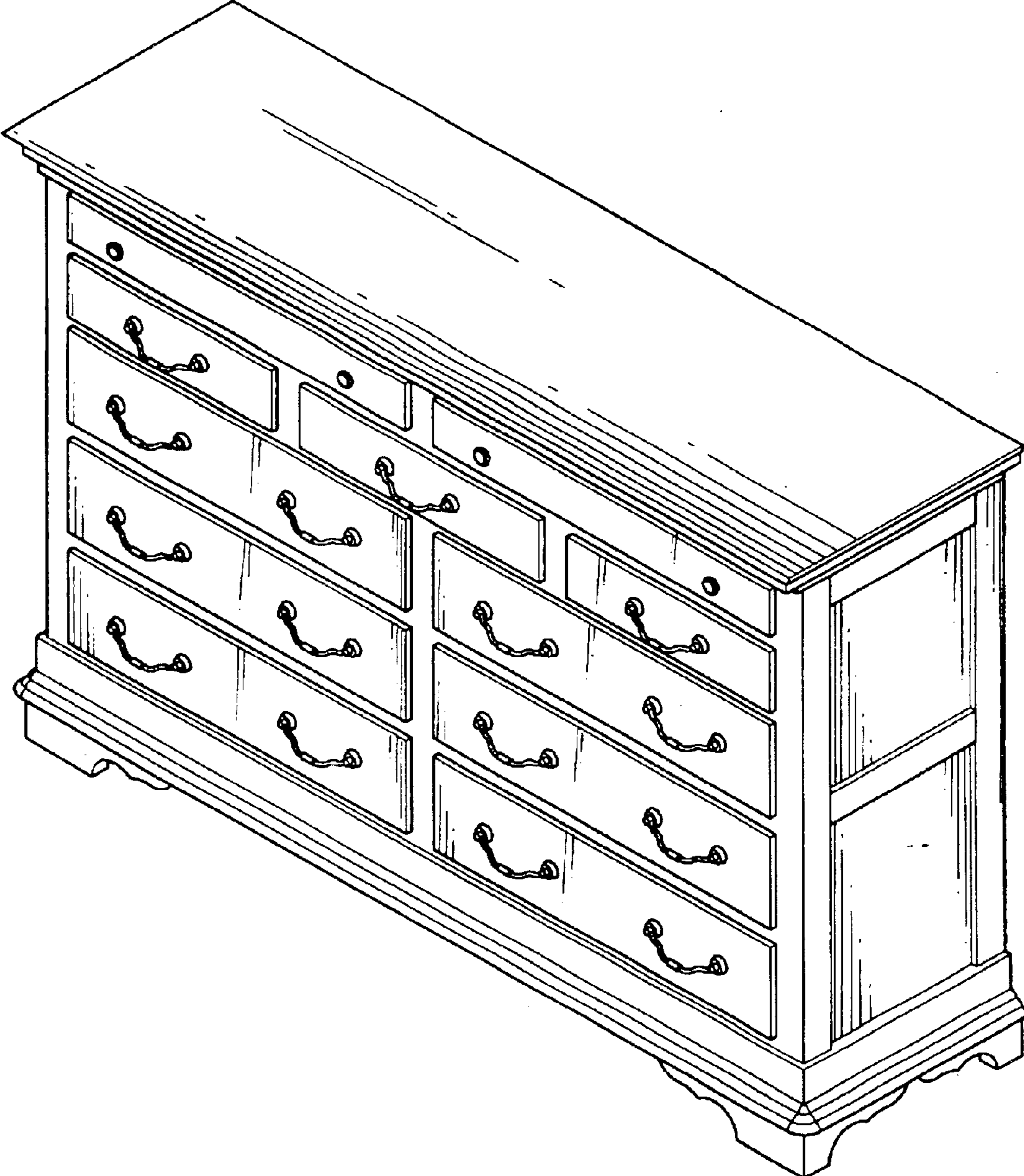


FIG. 1

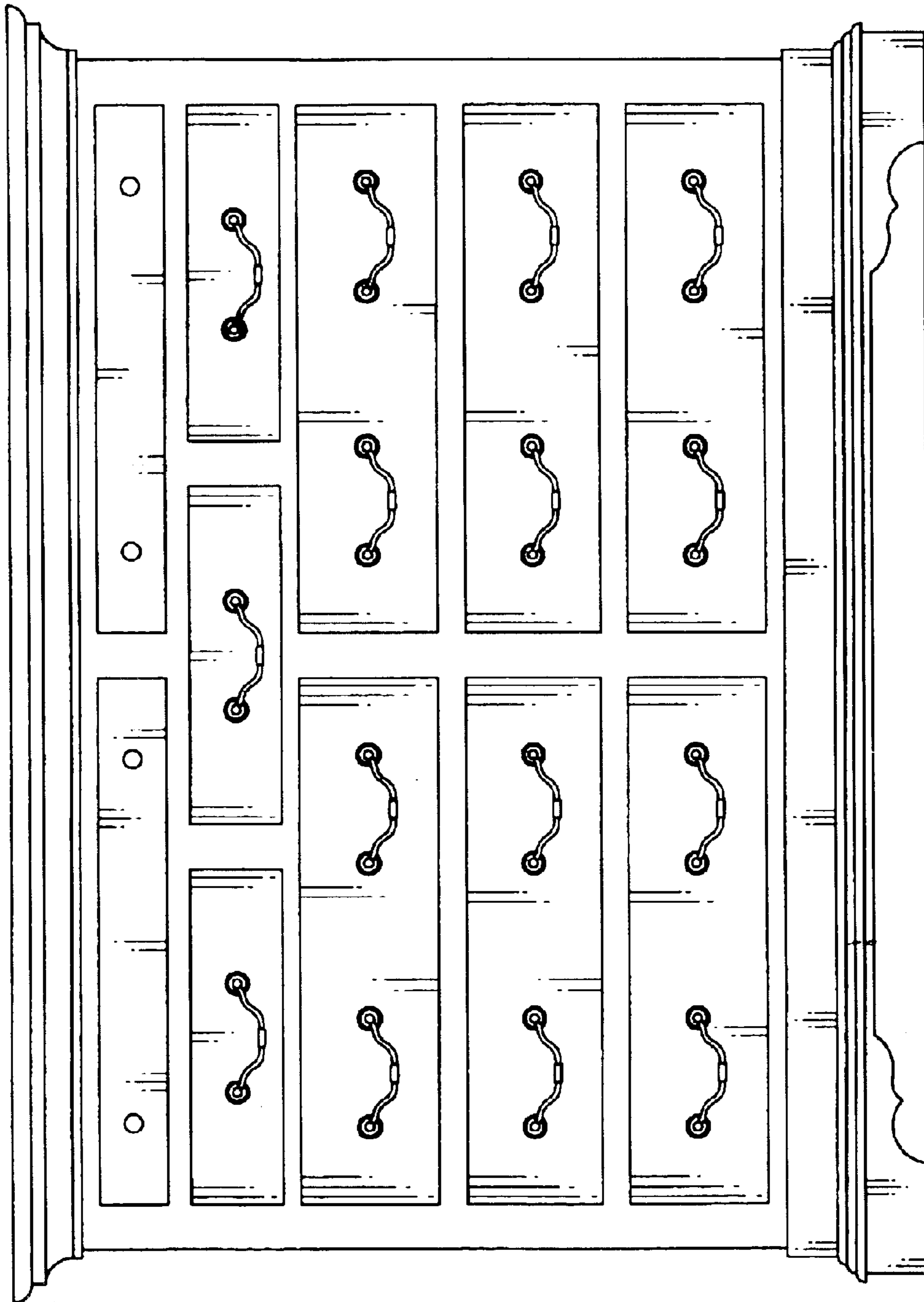


FIG. 2

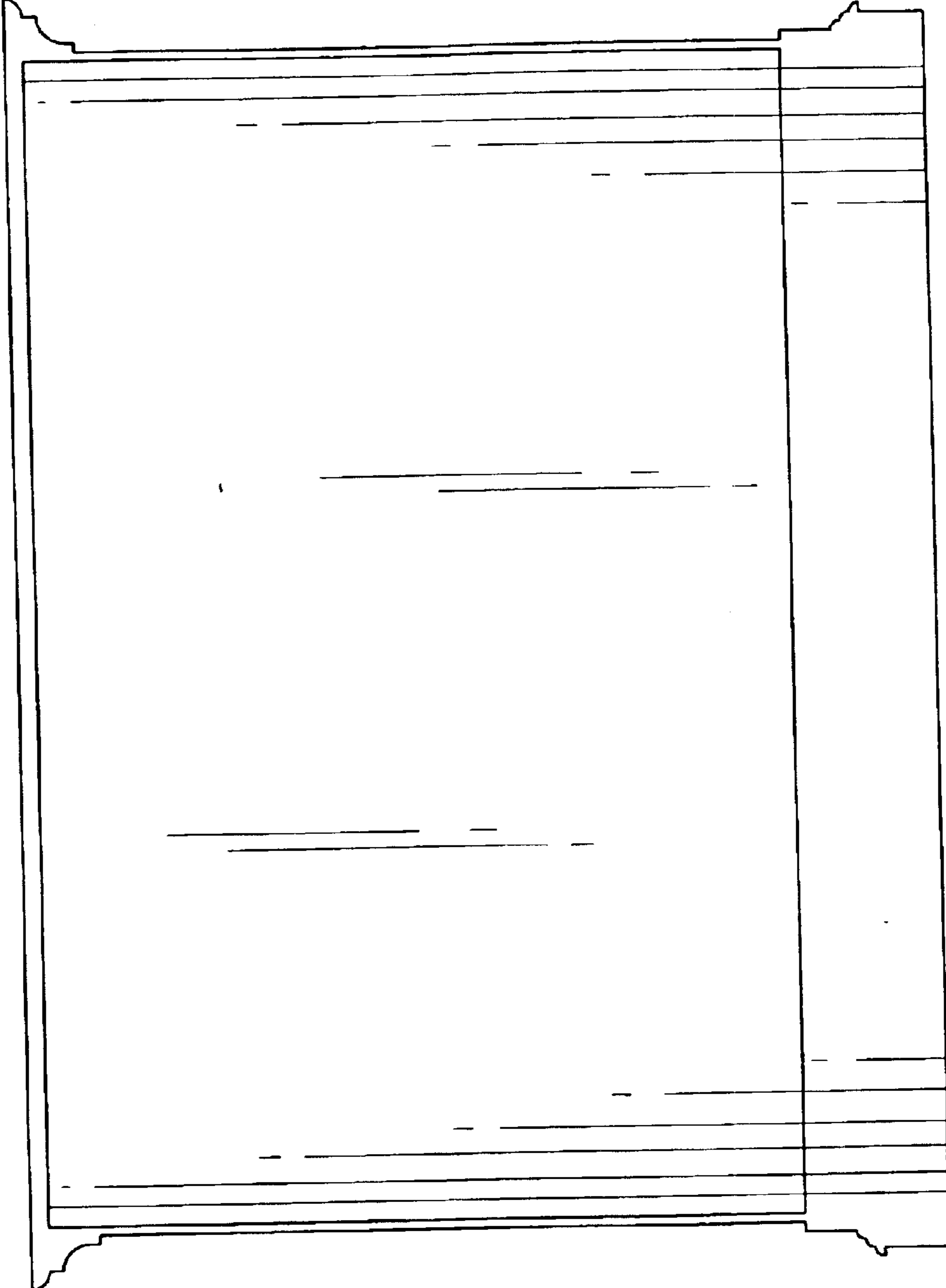


FIG. 3

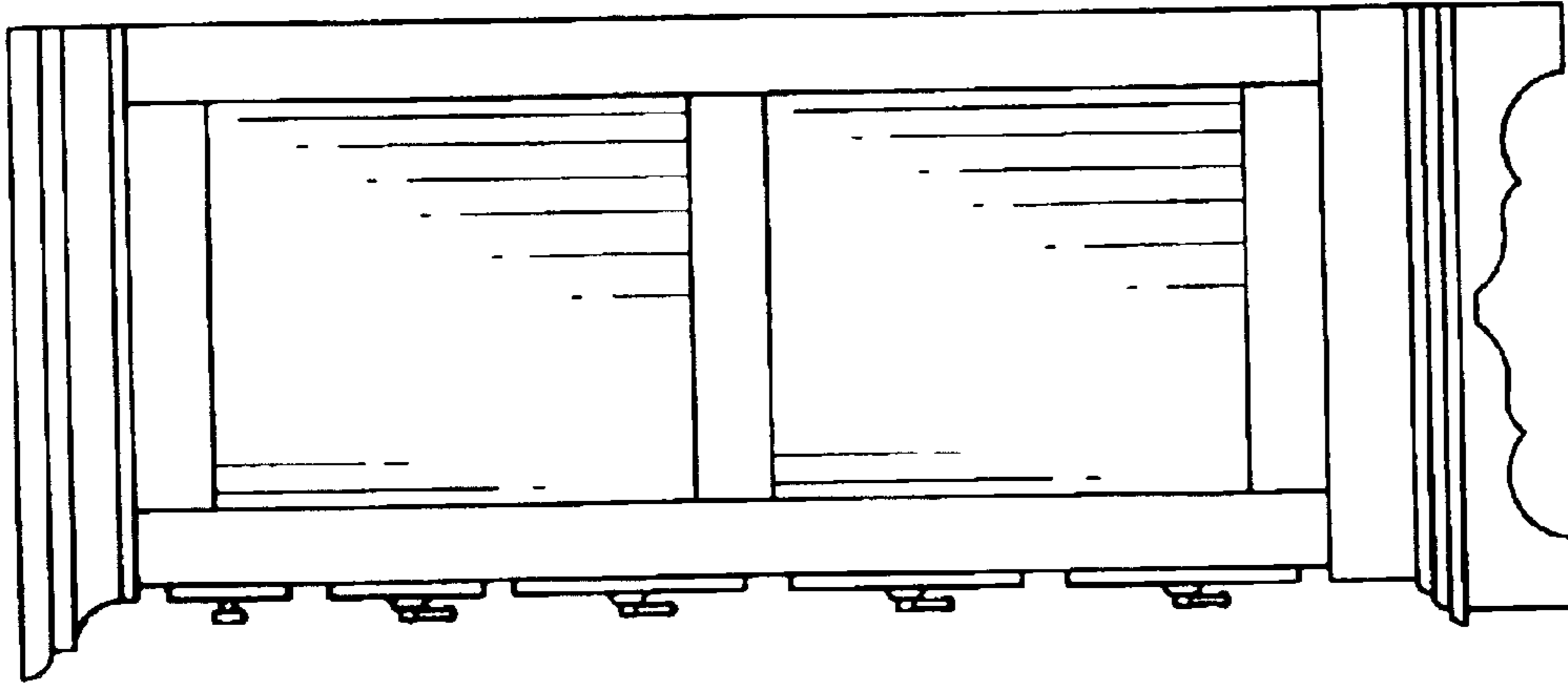


FIG. 5

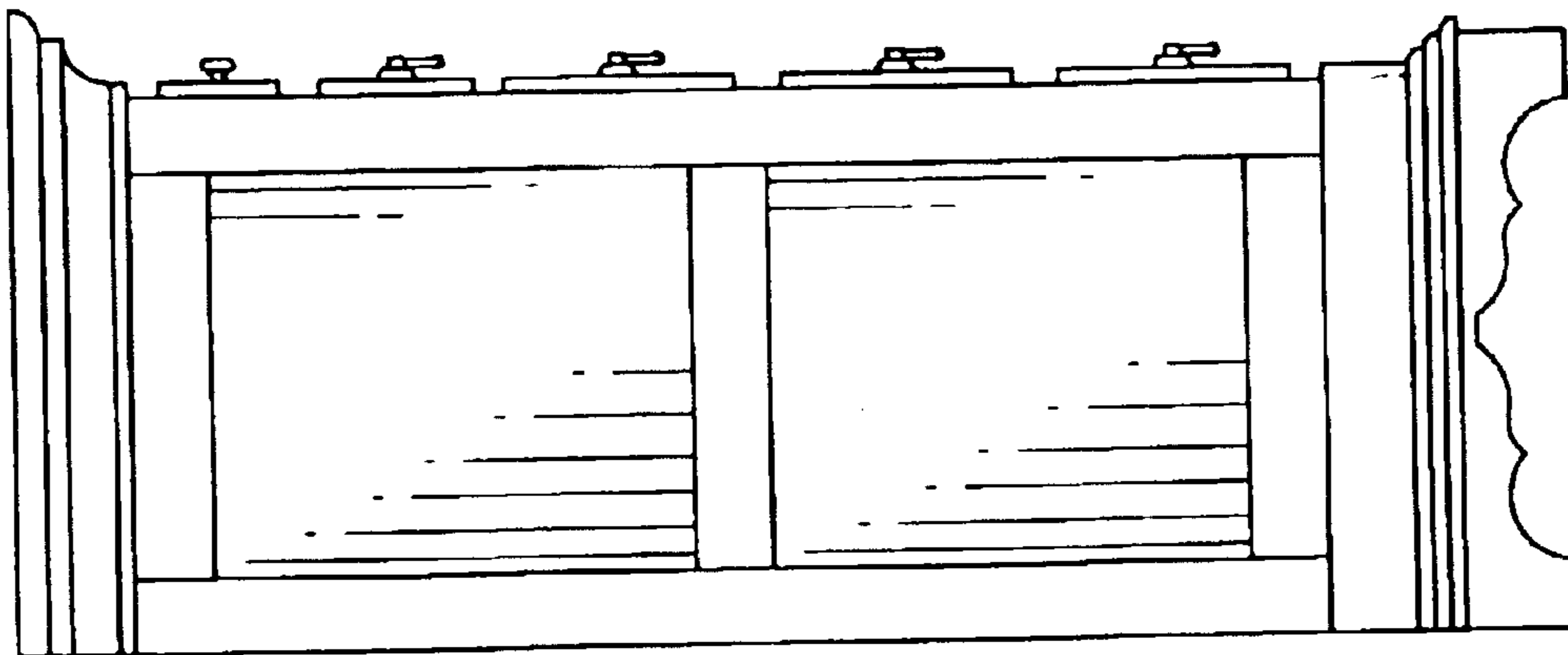


FIG. 4

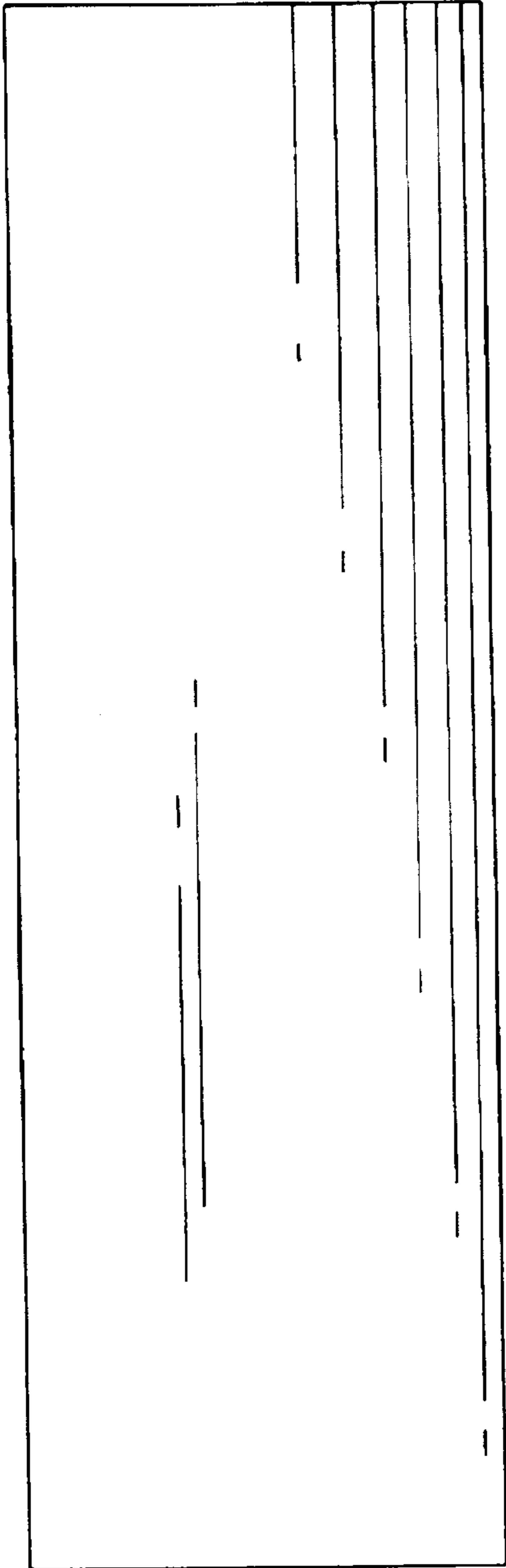


FIG. 6

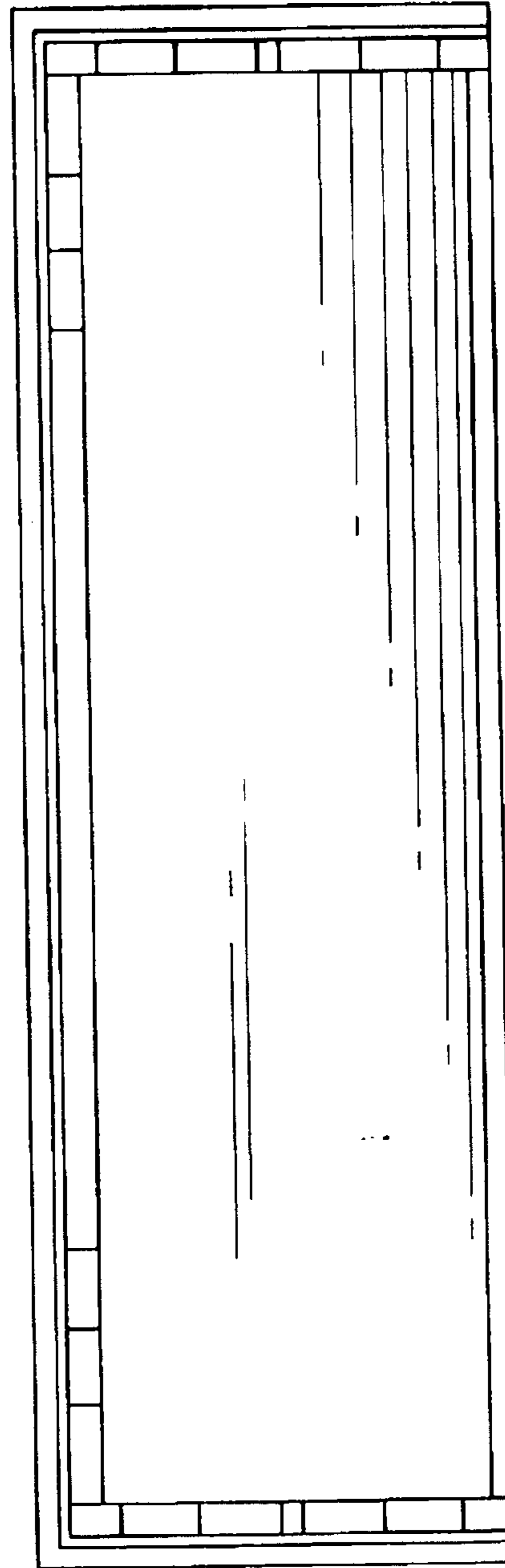


FIG. 7