

US00D496186S1

(12) **United States Design Patent**
Chang

(10) **Patent No.:** **US D496,186 S**

(45) **Date of Patent:** **** Sep. 21, 2004**

(54) **COMPUTER TABLE**

D487,852 S * 3/2004 Chang D6/426

(76) **Inventor:** **Chien-Kuo Chang**, P.O. Box 36-80,
Taichung City (TW)

* cited by examiner

Primary Examiner—Janice E. Seeger

(74) *Attorney, Agent, or Firm*—Charles E. Baxley

(**) **Term:** **14 Years**

(57) **CLAIM**

(21) **Appl. No.:** **29/194,762**

The ornamental design for computer table, as shown and described.

(22) **Filed:** **Dec. 1, 2003**

(51) **LOC (7) Cl.** **06-04**

DESCRIPTION

(52) **U.S. Cl.** **D6/426**

FIG. 1 is a perspective view of a computer table showing our new design thereof;

(58) **Field of Search** D6/422–428, 477,
D6/484; 108/50.01, 50.02; 312/208.1, 194–196

FIG. 2 is a front elevational view thereof;

FIG. 3 is a rear elevational view thereof;

FIG. 4 is a left side elevational view thereof;

FIG. 5 is a right side elevational view thereof;

FIG. 6 is a top plan view thereof; and,

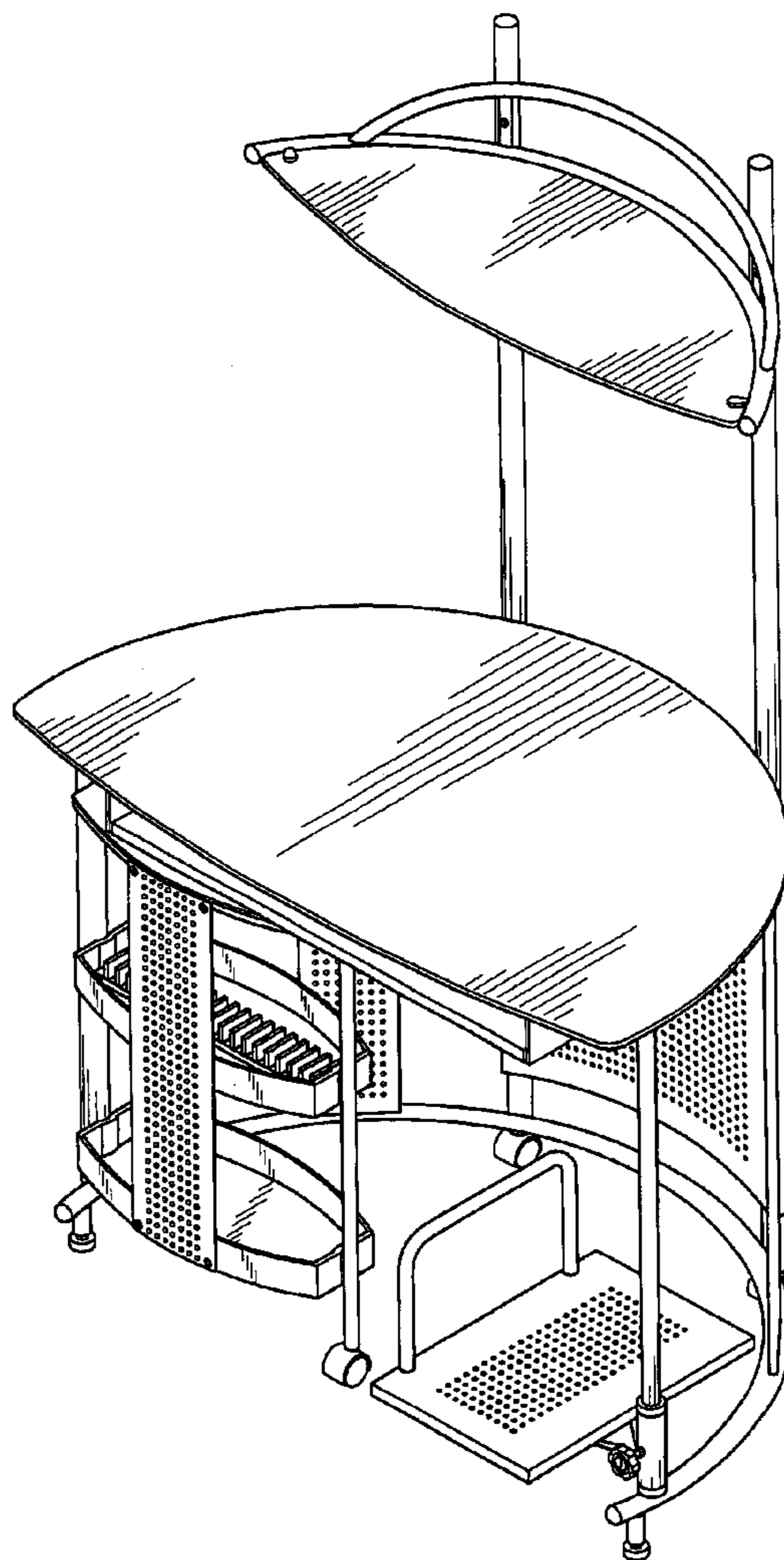
FIG. 7 is a bottom plan view thereof.

(56) **References Cited**

U.S. PATENT DOCUMENTS

- D459,110 S * 6/2002 Chang D6/426
- D463,922 S * 10/2002 Chang D6/426
- D474,043 S * 5/2003 Chang D6/426
- D486,977 S * 2/2004 Chang D6/426

1 Claim, 6 Drawing Sheets



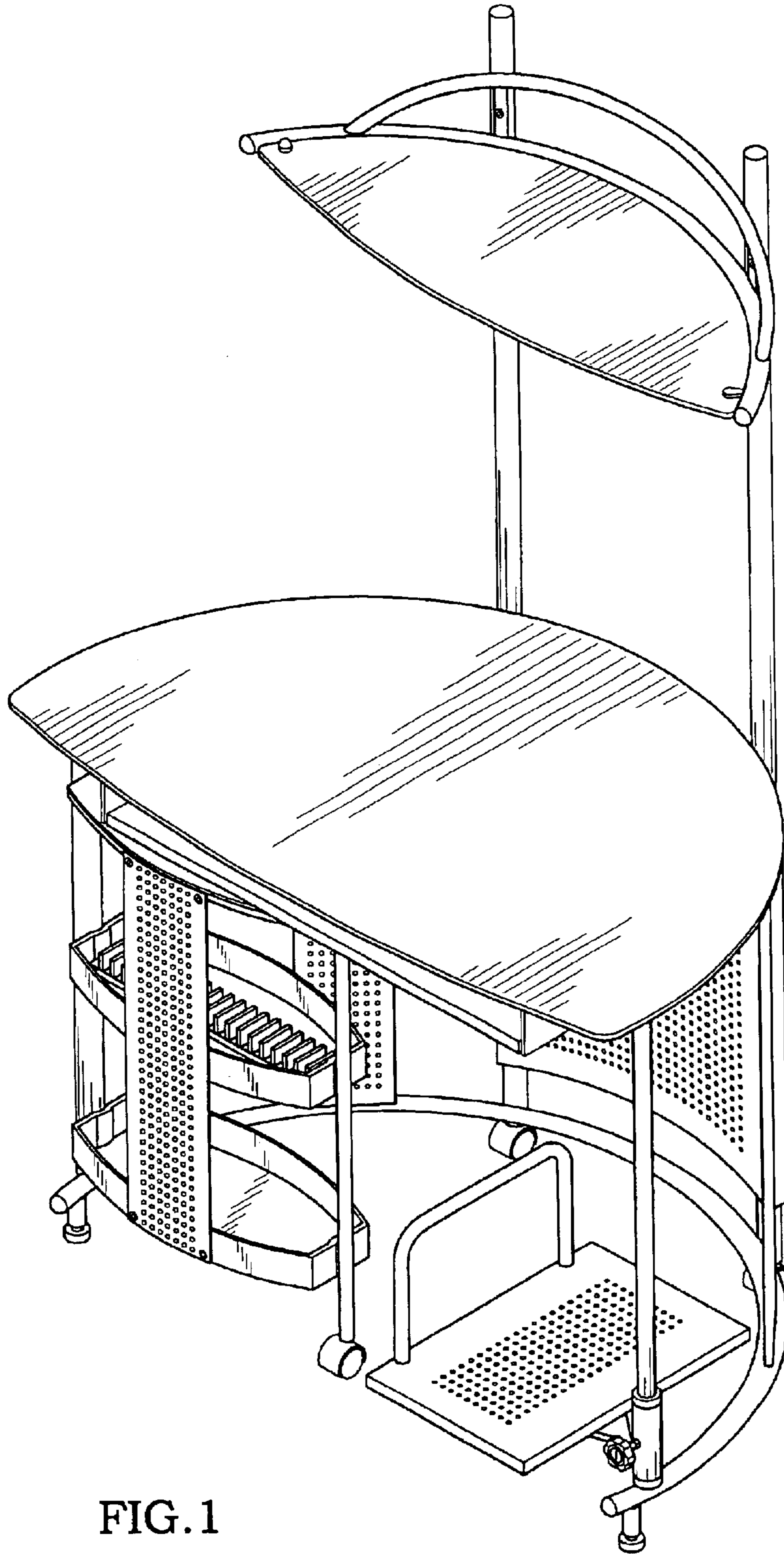


FIG. 1

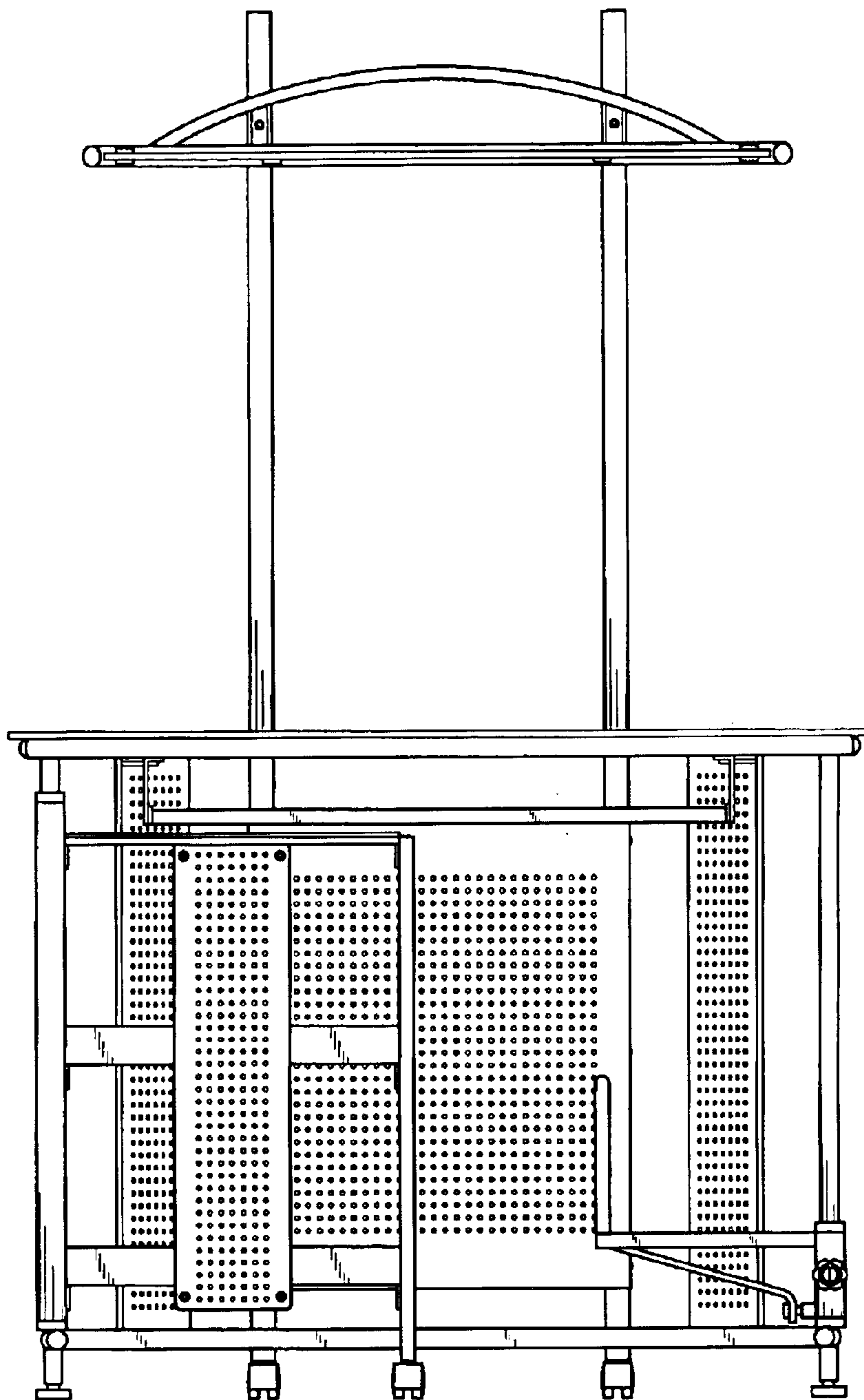


FIG.2

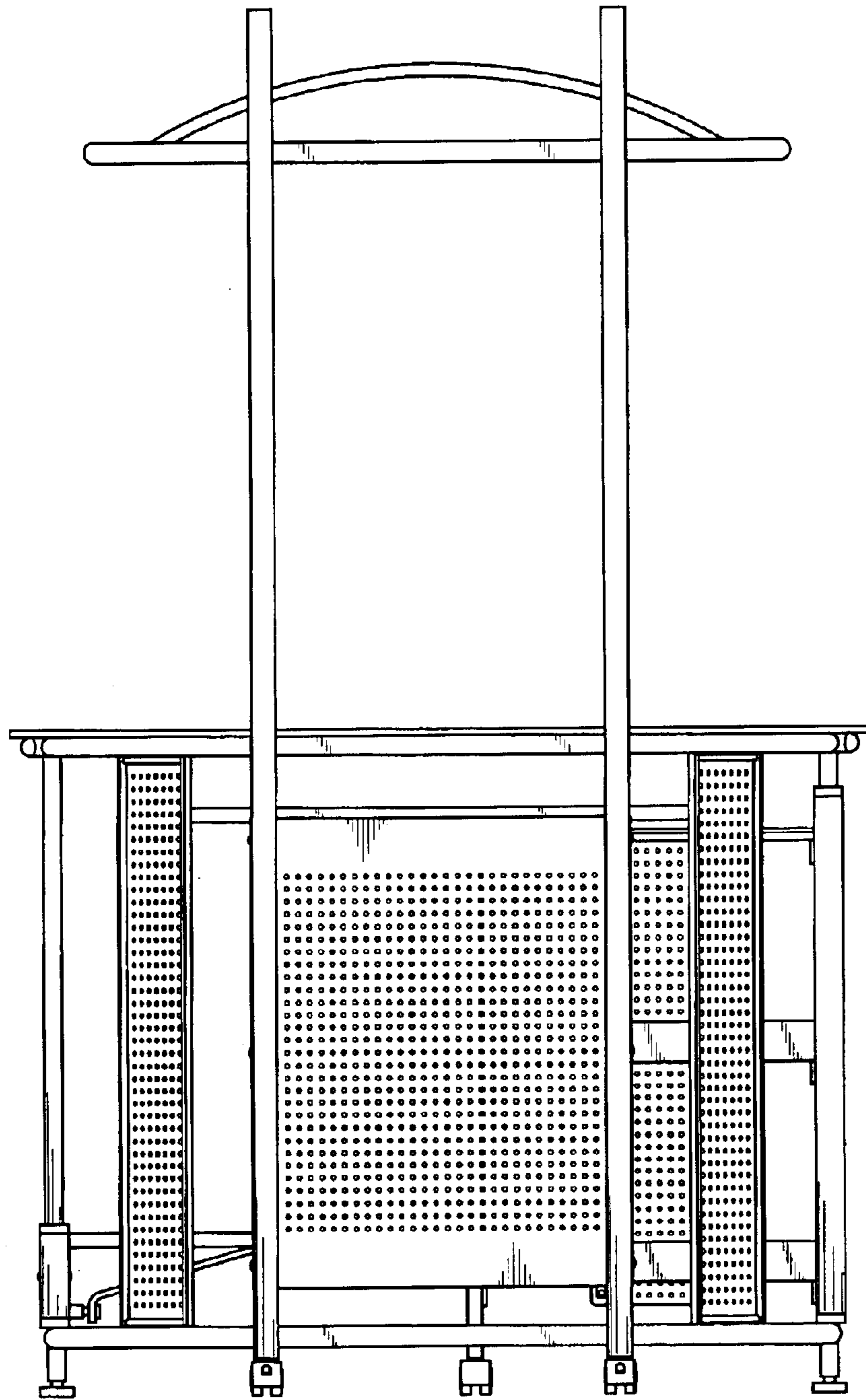


FIG.3

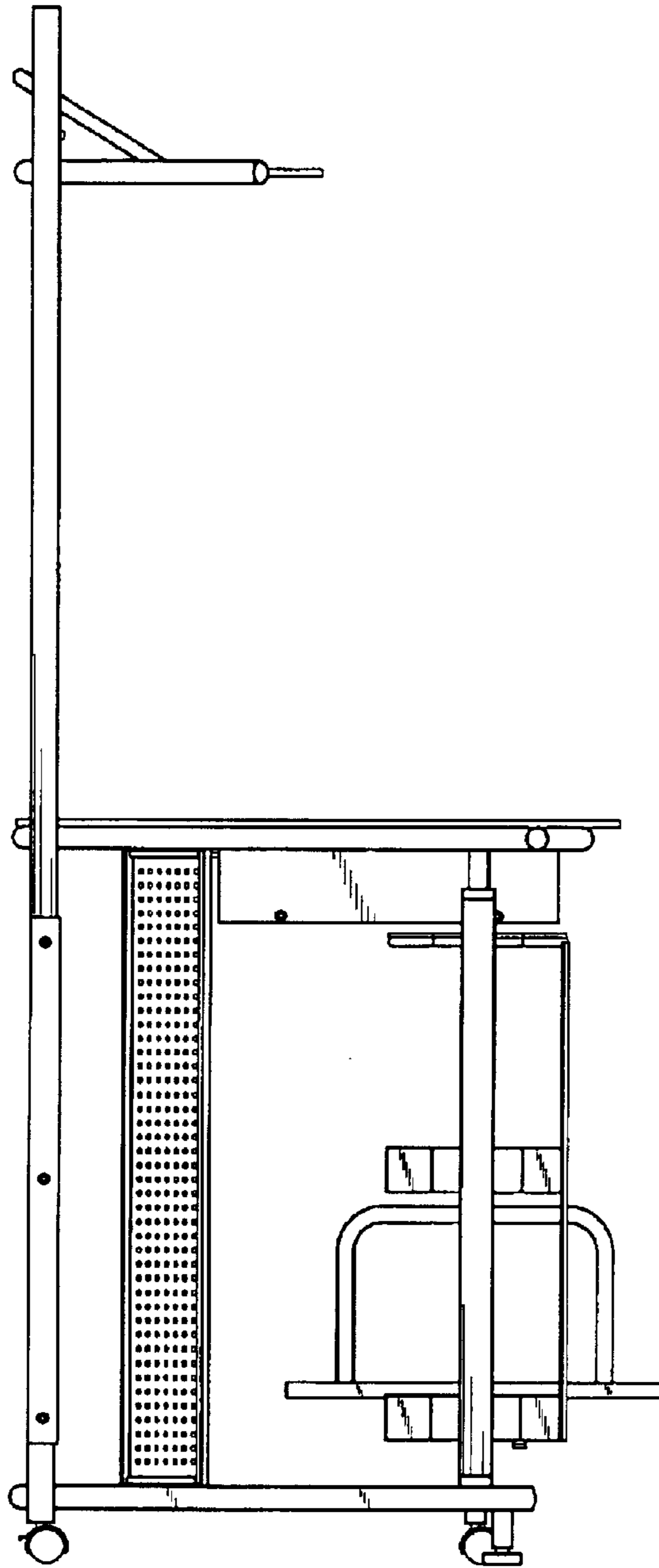


FIG.4

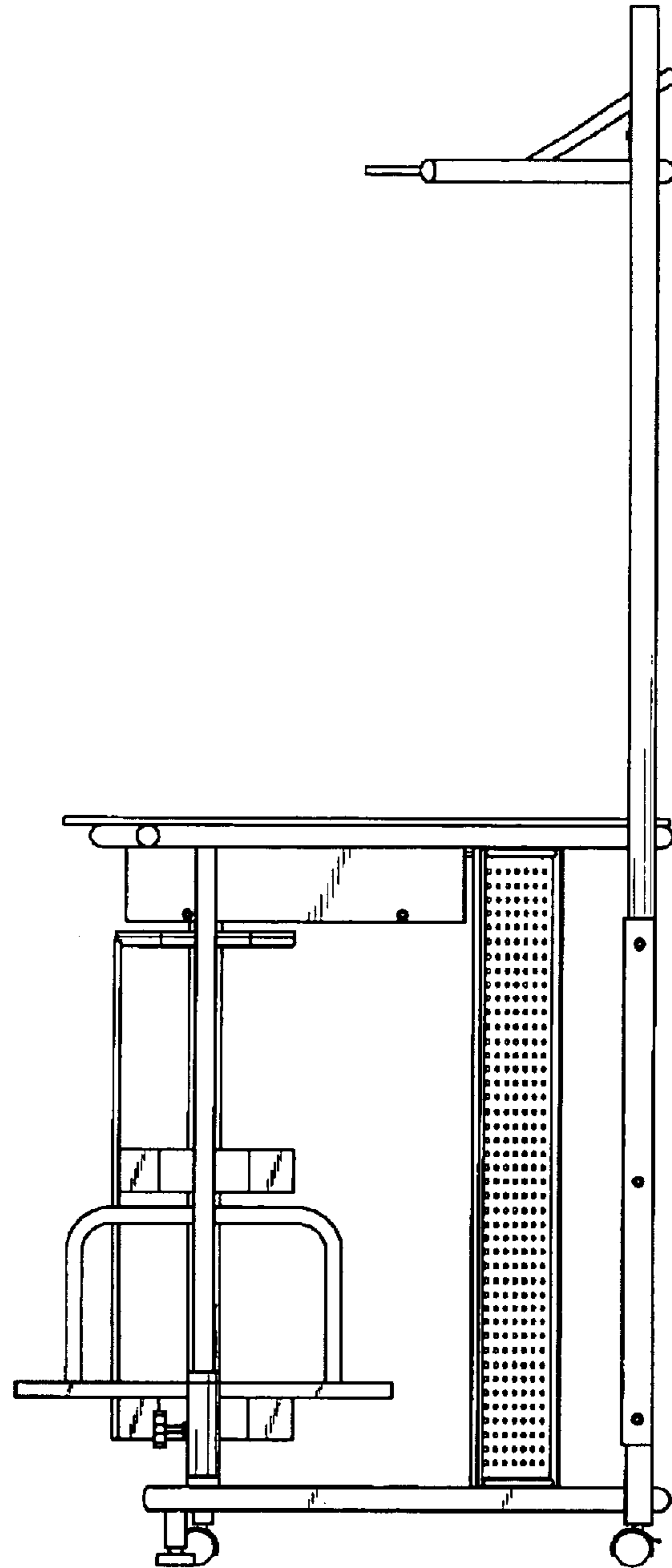


FIG.5

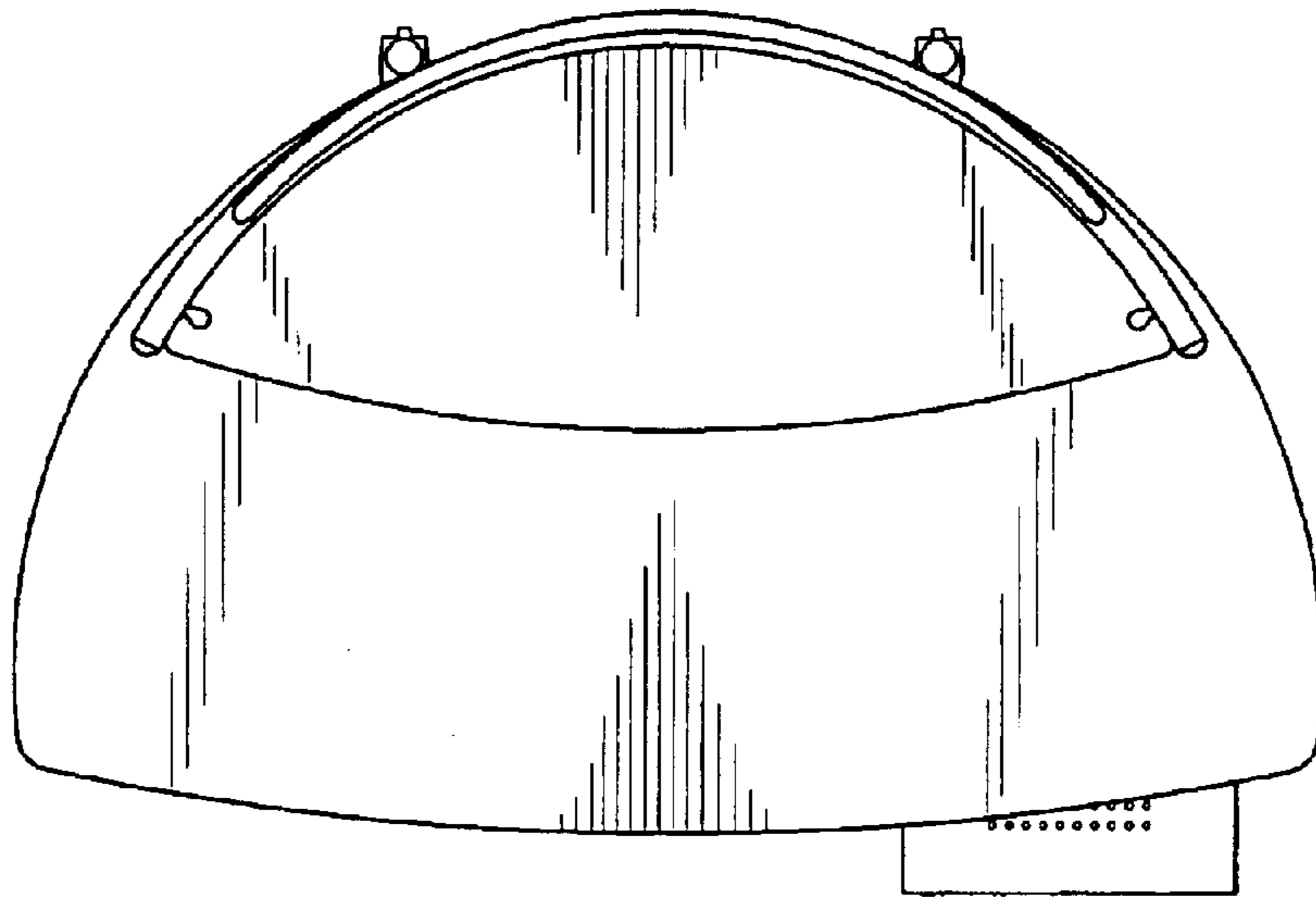


FIG. 6

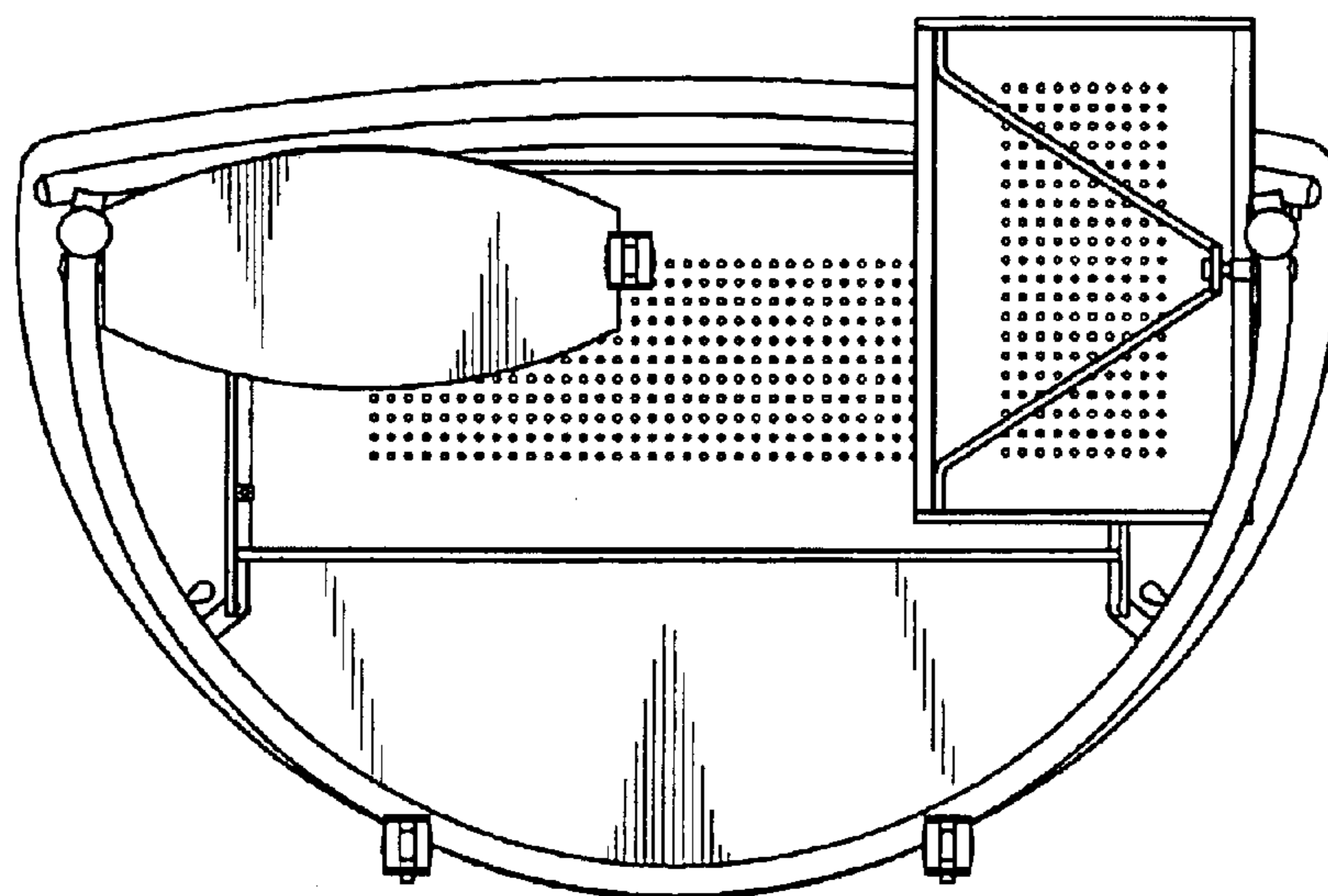


FIG. 7