

US00D496184S1

(12) **United States Design Patent**  
**Sapp**

(10) **Patent No.:** **US D496,184 S**

(45) **Date of Patent:** **\*\* Sep. 21, 2004**

(54) **DESKCOMPUTER**

(75) **Inventor:** **Leslie Sapp**, 29 John St., #233, New York, NY (US) 10038

(73) **Assignee:** **Leslie Sapp**, NY, NY (US)

(\*\*) **Term:** **14 Years**

(21) **Appl. No.:** **29/188,673**

(22) **Filed:** **Aug. 21, 2003**

(51) **LOC (7) Cl.** ..... **06-04**

(52) **U.S. Cl.** ..... **D6/422; D6/484; D14/305**

(58) **Field of Search** ..... **D6/422-428; 108/50.01, 108/50.02; 312/208.1, 194-196; D14/302, 304, 305**

(56) **References Cited**

**U.S. PATENT DOCUMENTS**

3,600,050 A \* 8/1971 Kunishima ..... 312/194

D281,299 S \* 11/1985 Esslinger ..... D6/491  
6,446,564 B1 \* 9/2002 Anderson ..... 108/71  
6,553,919 B1 \* 4/2003 Nevin ..... 108/50.01

\* cited by examiner

*Primary Examiner*—Janice E. Seeger

(57) **CLAIM**

The ornamental design for a deskcomputer, as shown and described.

**DESCRIPTION**

FIG. 1 is a perspective view of a integrated function deskcomputer showing my new design; FIG. 2 is a top plan view thereof; FIG. 3 is the right side view thereof; FIG. 4 is the rear view thereof; and, FIG. 5 is a bottom plan view thereof.

**1 Claim, 5 Drawing Sheets**

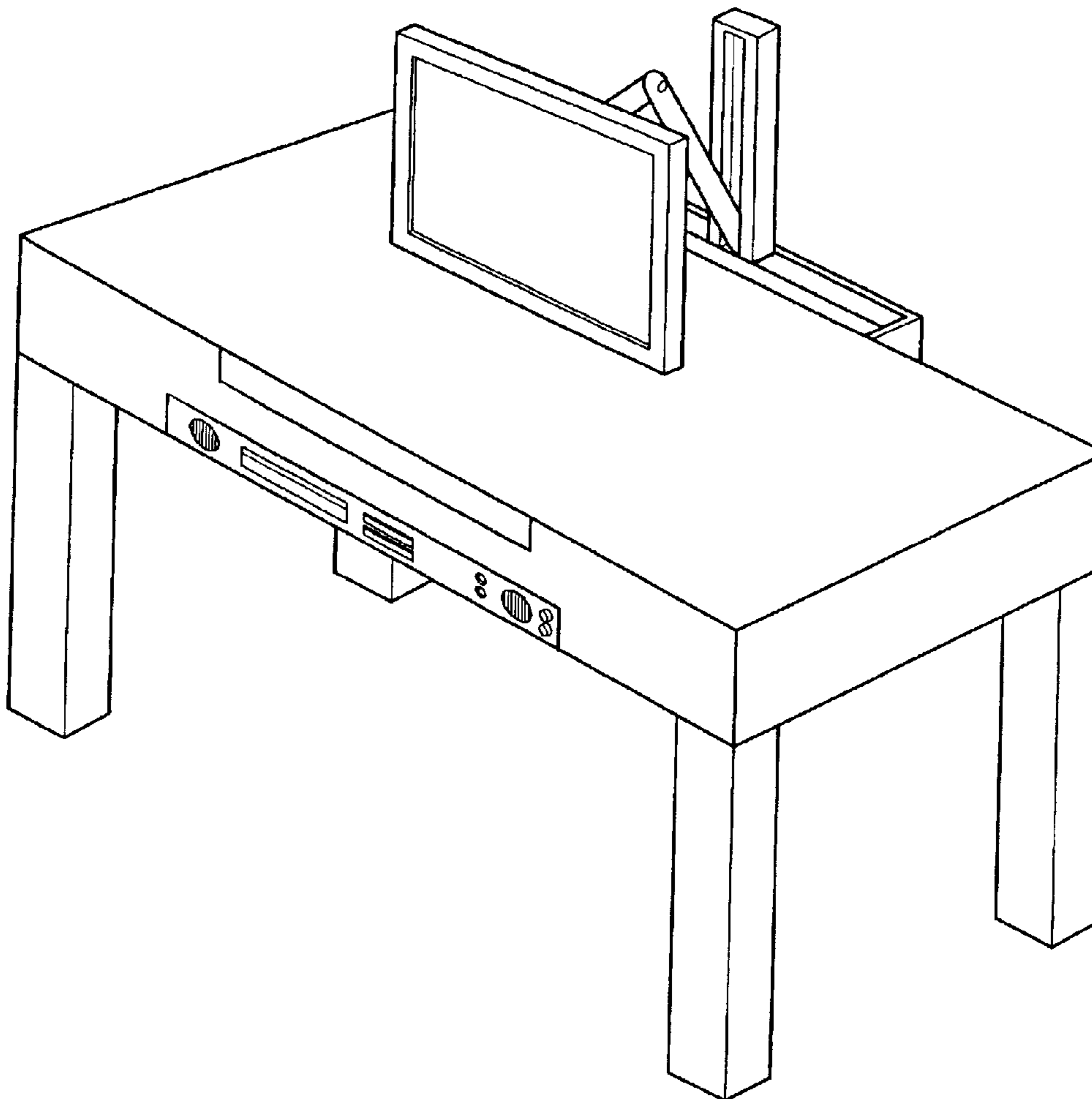
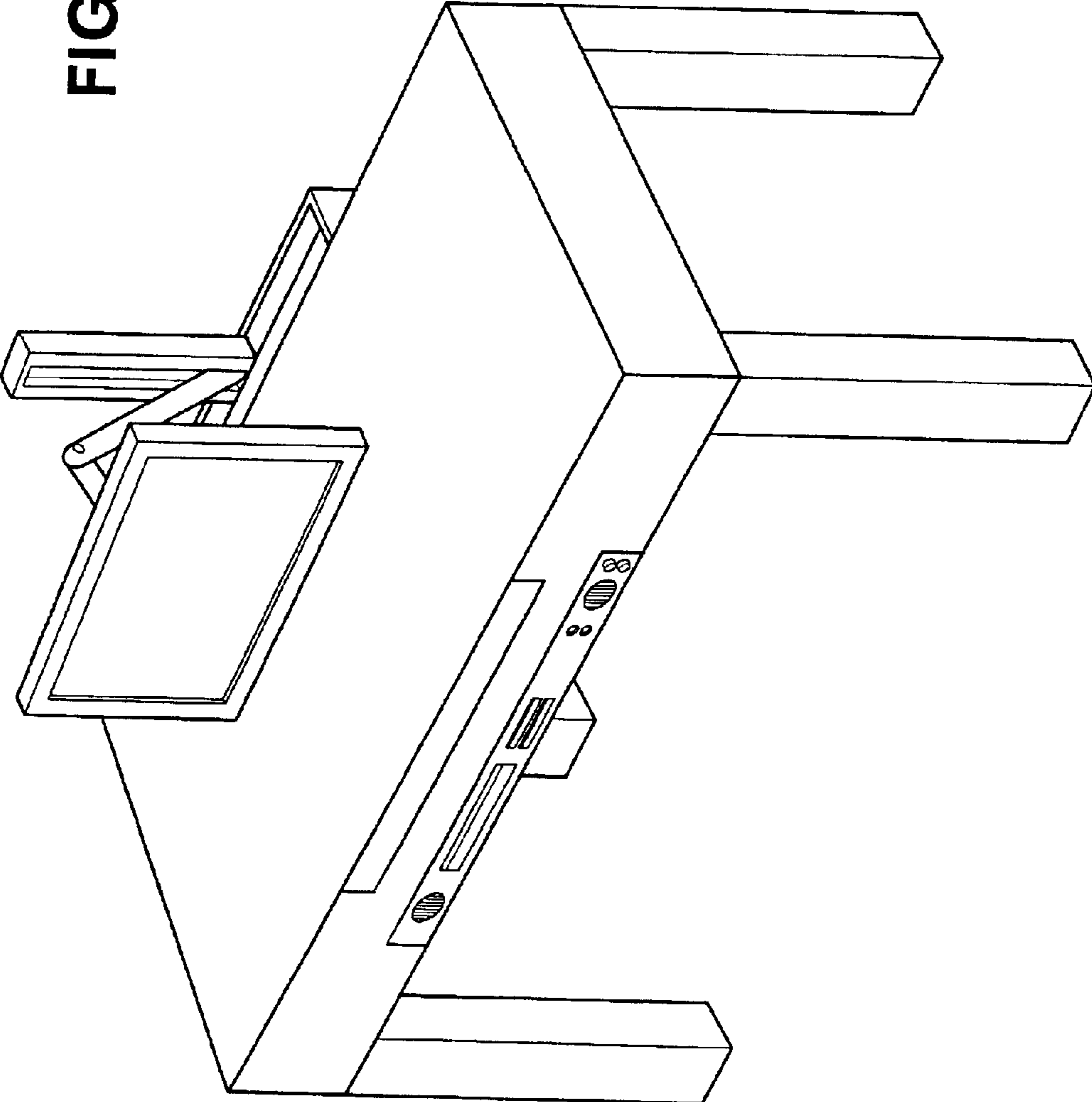


FIG. 1



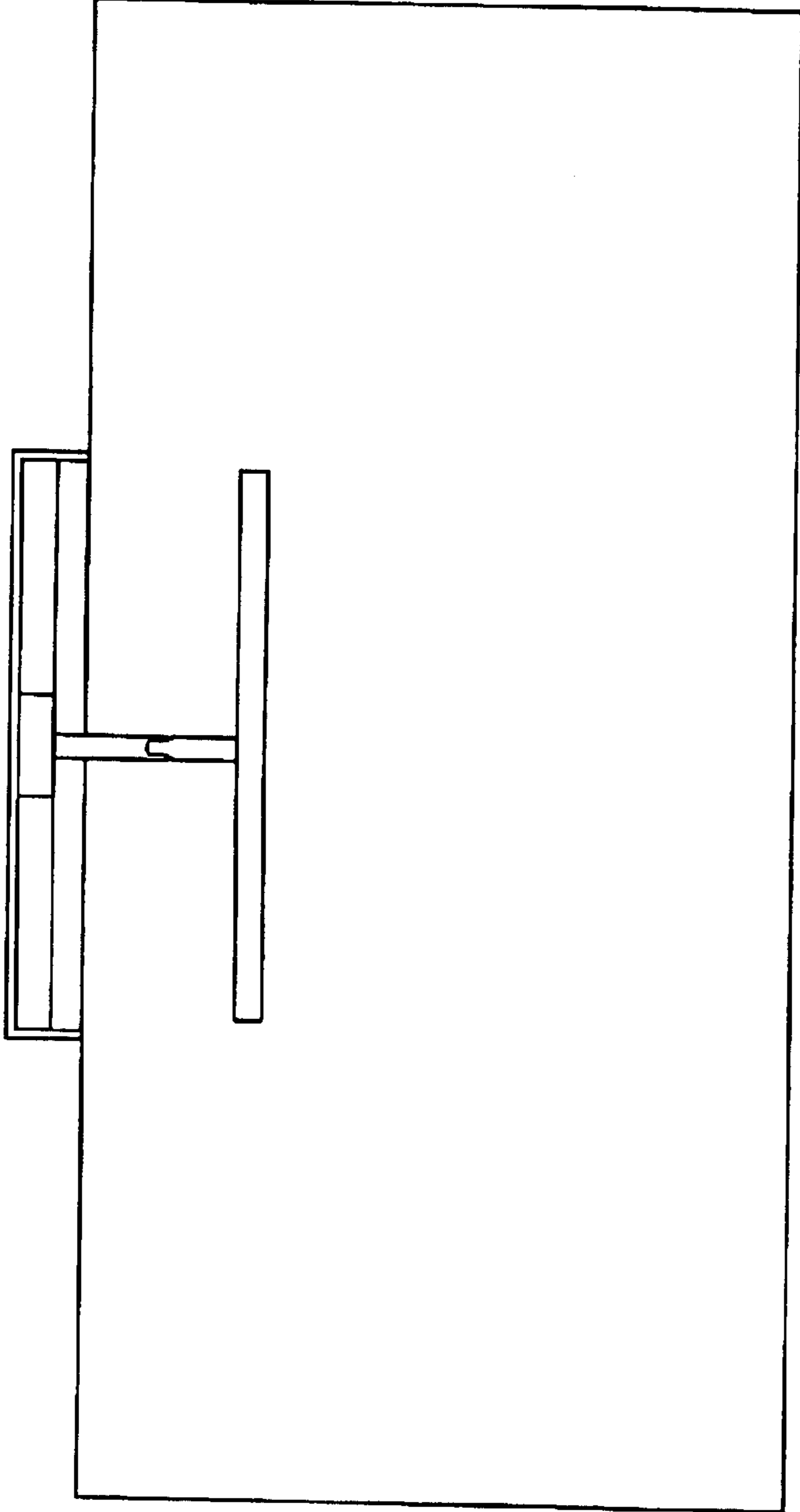


FIG. 2

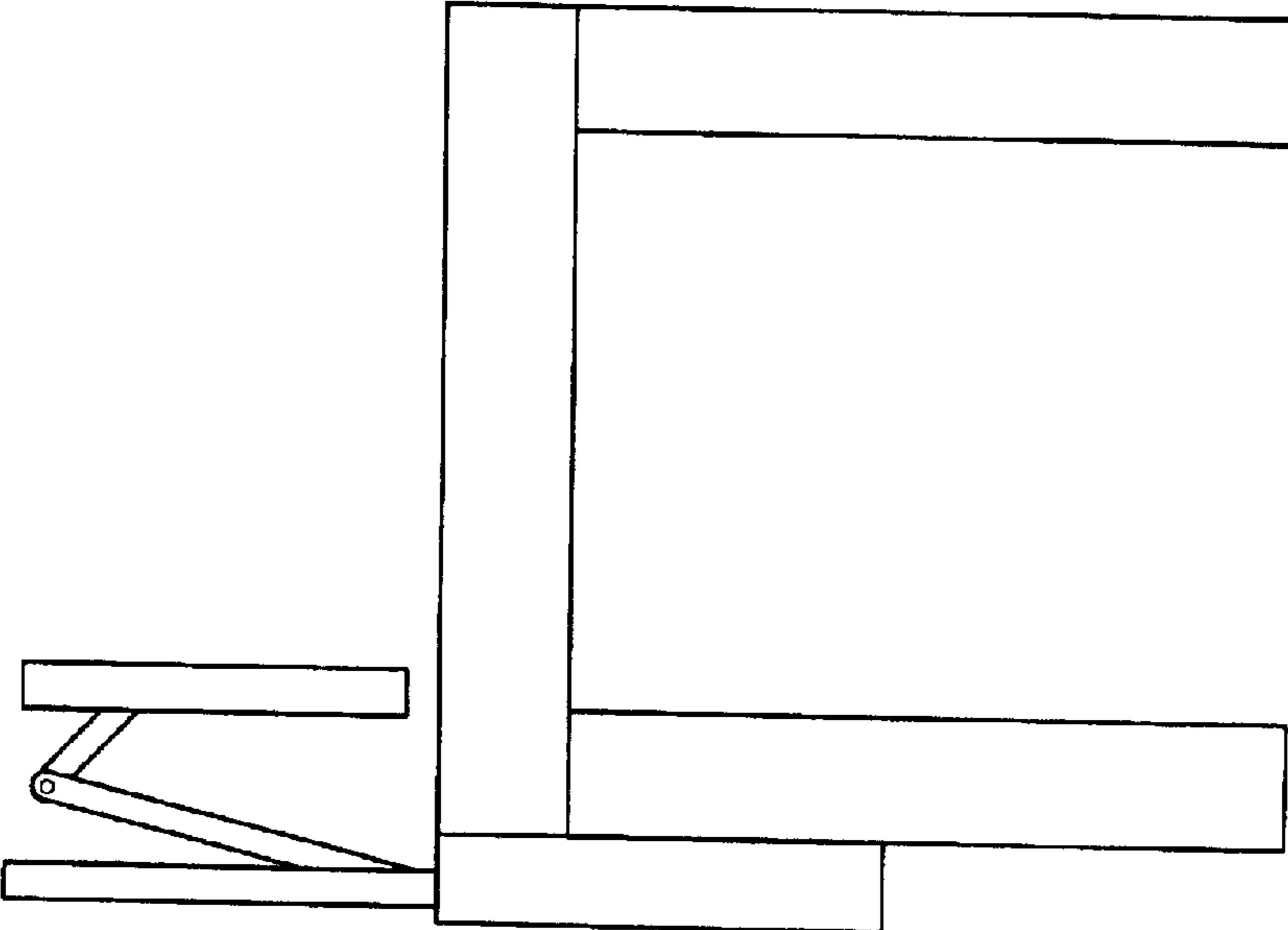


FIG. 3

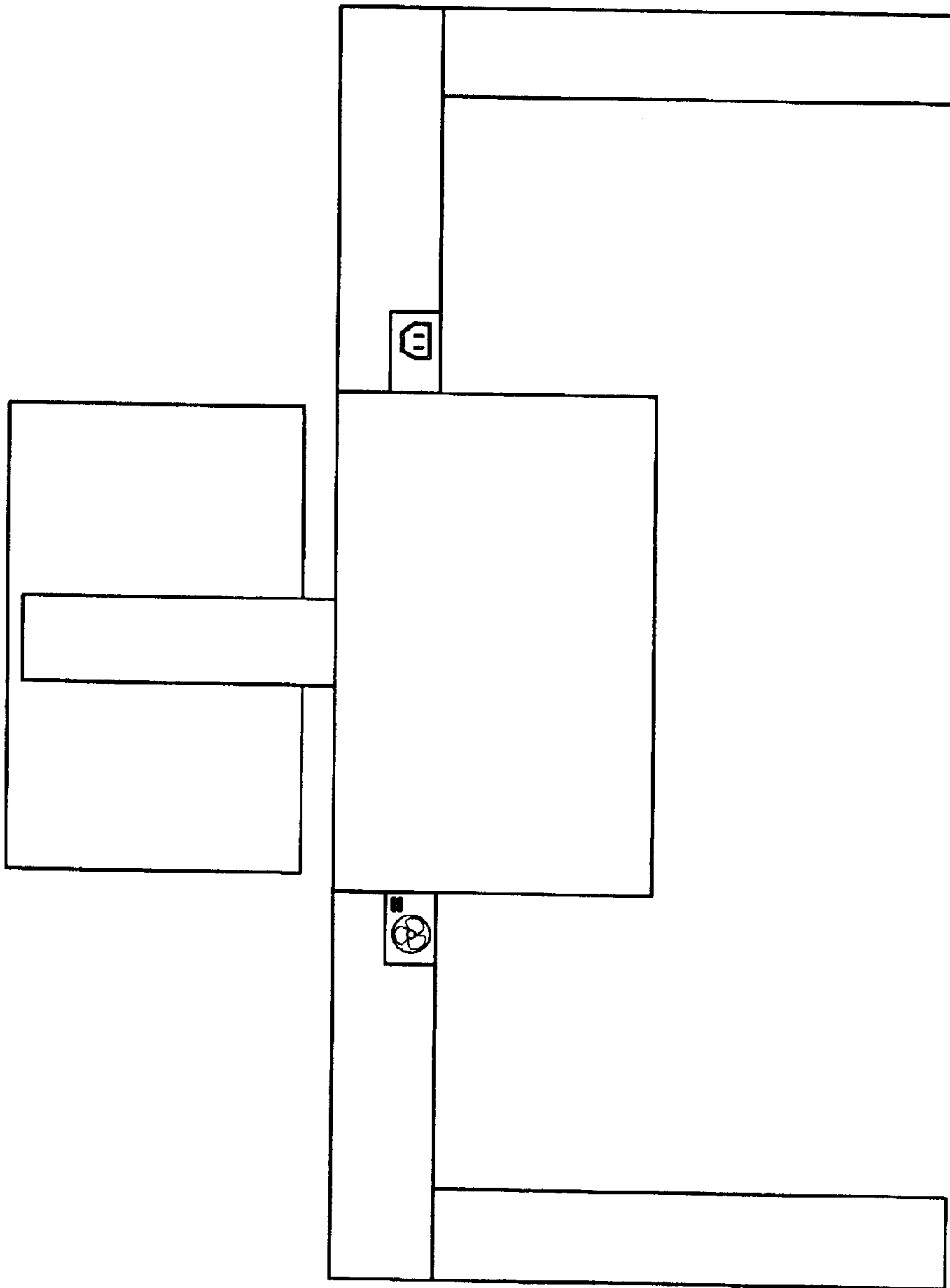


FIG. 4

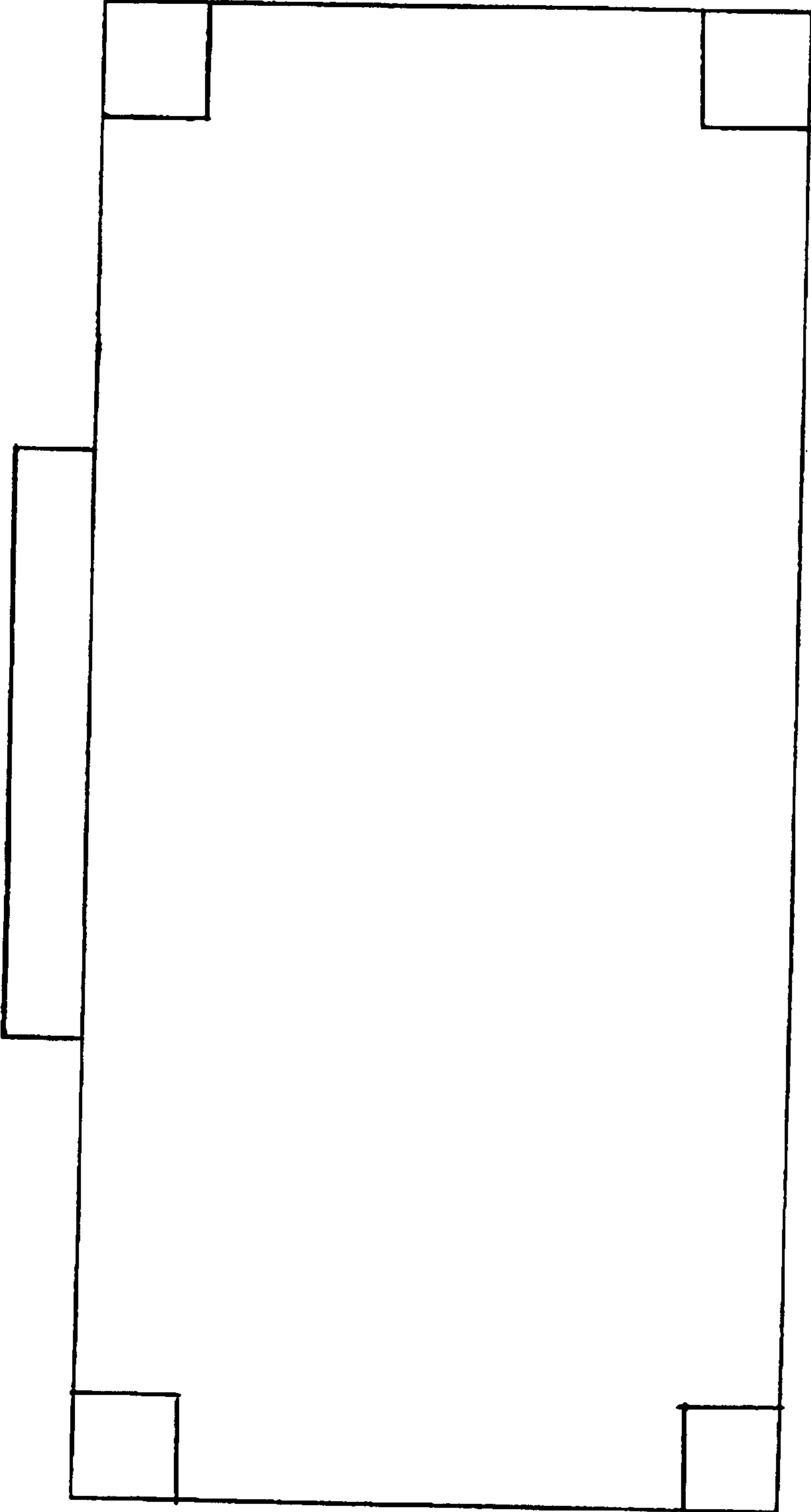


FIG. 5