

US00D496181S1

(12) **United States Design Patent** (10) **Patent No.:** **US D496,181 S**  
**Maness** (45) **Date of Patent:** **\*\* Sep. 21, 2004**

(54) **OUTDOOR PICNIC TABLE**

(76) Inventor: **William L Maness**, 10226 93rd Ave.  
N., Maple Grove, MN (US) 55369

(\*\*) Term: **14 Years**

(21) Appl. No.: **29/182,615**

(22) Filed: **May 29, 2003**

(51) **LOC (7) Cl.** ..... **06-04**

(52) **U.S. Cl.** ..... **D6/417**

(58) **Field of Search** ..... D6/416, 417, 486,  
D6/495; D7/558; 108/25, 150, 50.12; 135/16,  
118; 211/62; 248/150, 545, 156, 530, 533;  
297/4, 118, 119

(56) **References Cited**

**U.S. PATENT DOCUMENTS**

2,039,805 A	5/1936	Knight	
2,799,543 A *	7/1957	Tomaselli	108/50.12
2,877,828 A *	3/1959	Barnette, Jr.	248/533
2,905,513 A	9/1959	Kane	
4,676,547 A *	6/1987	Spillman	297/4
4,920,897 A	5/1990	Reed et al.	
5,197,394 A *	3/1993	Schmidt	108/50.12
D357,605 S	4/1995	Kellen	

5,411,313 A *	5/1995	Counihan et al.	297/118
D366,372 S *	1/1996	Skarda, Jr.	D6/417
D387,921 S *	12/1997	Shields	D6/417
D388,974 S *	1/1998	Piker	D6/417
5,762,004 A	6/1998	Vashon et al.	
5,878,762 A	3/1999	Huang	
6,176,545 B1 *	1/2001	Hambleton	297/4
2003/0188673 A1 *	10/2003	Block et al.	108/150

\* cited by examiner

*Primary Examiner*—Mimosa De

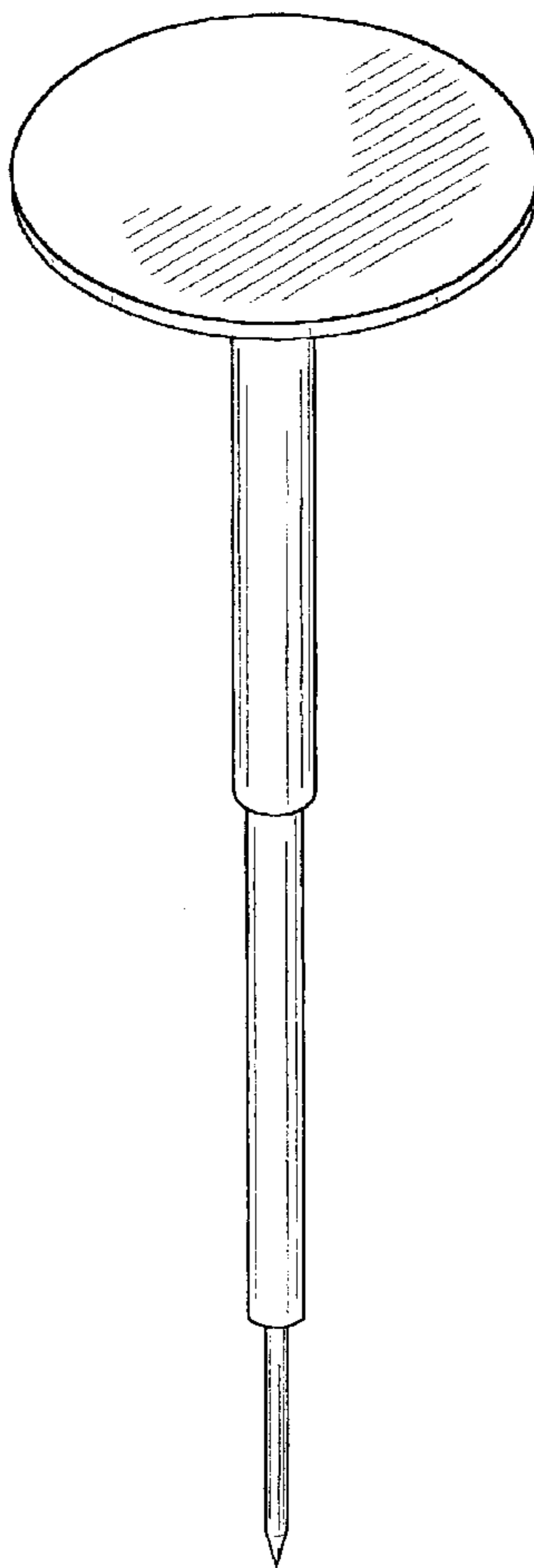
(57) **CLAIM**

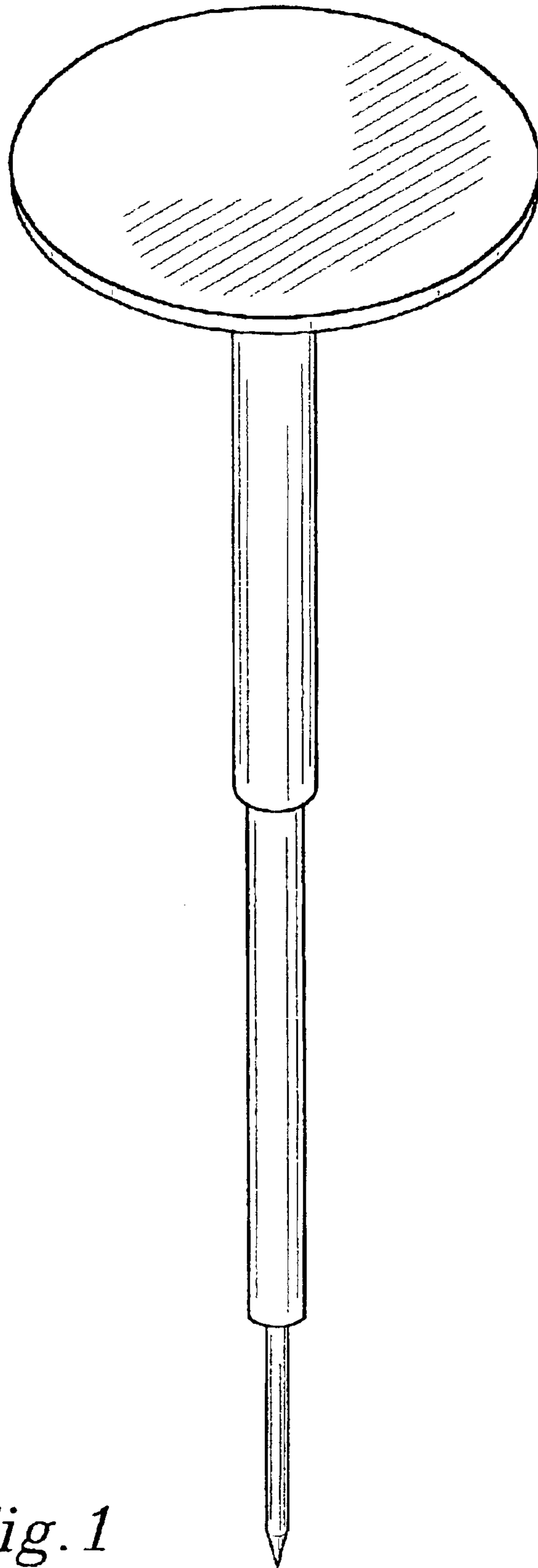
The ornamental design for a outdoor picnic table, as shown and described.

**DESCRIPTION**

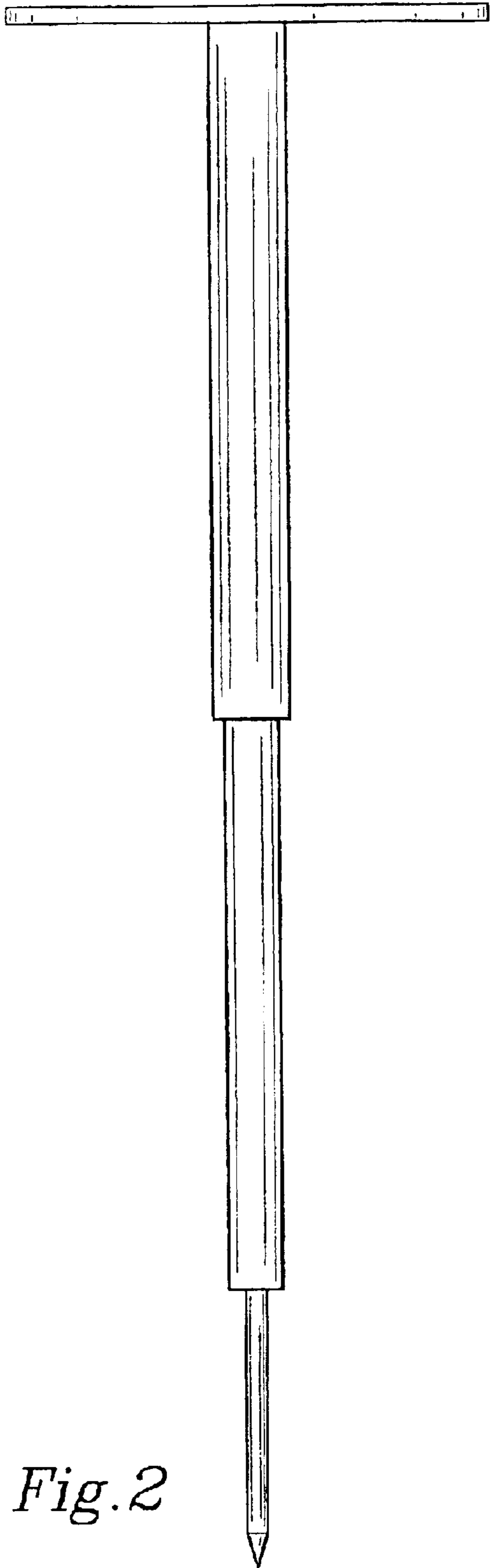
FIG. 1 is a top, front perspective view of the outdoor picnic table of the present invention;  
 FIG. 2 is a front elevational view of the outdoor picnic table of FIG. 1, the left, right and rear views being mirror images thereof;  
 FIG. 3 is a top plan view of the outdoor picnic table of FIG. 1; and,  
 FIG. 4 is a bottom plan view of the outdoor picnic table of FIG. 1.

**1 Claim, 2 Drawing Sheets**

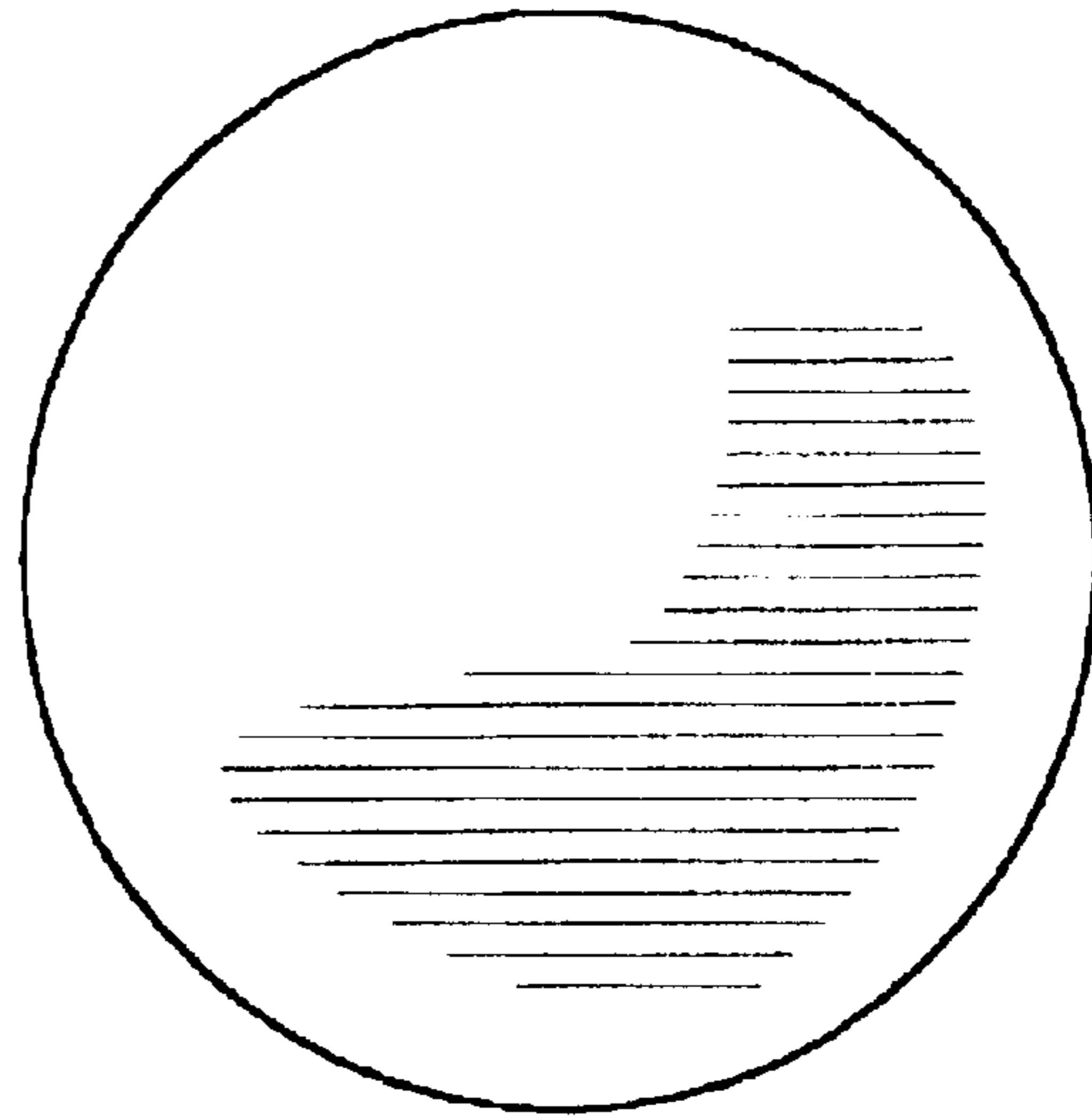




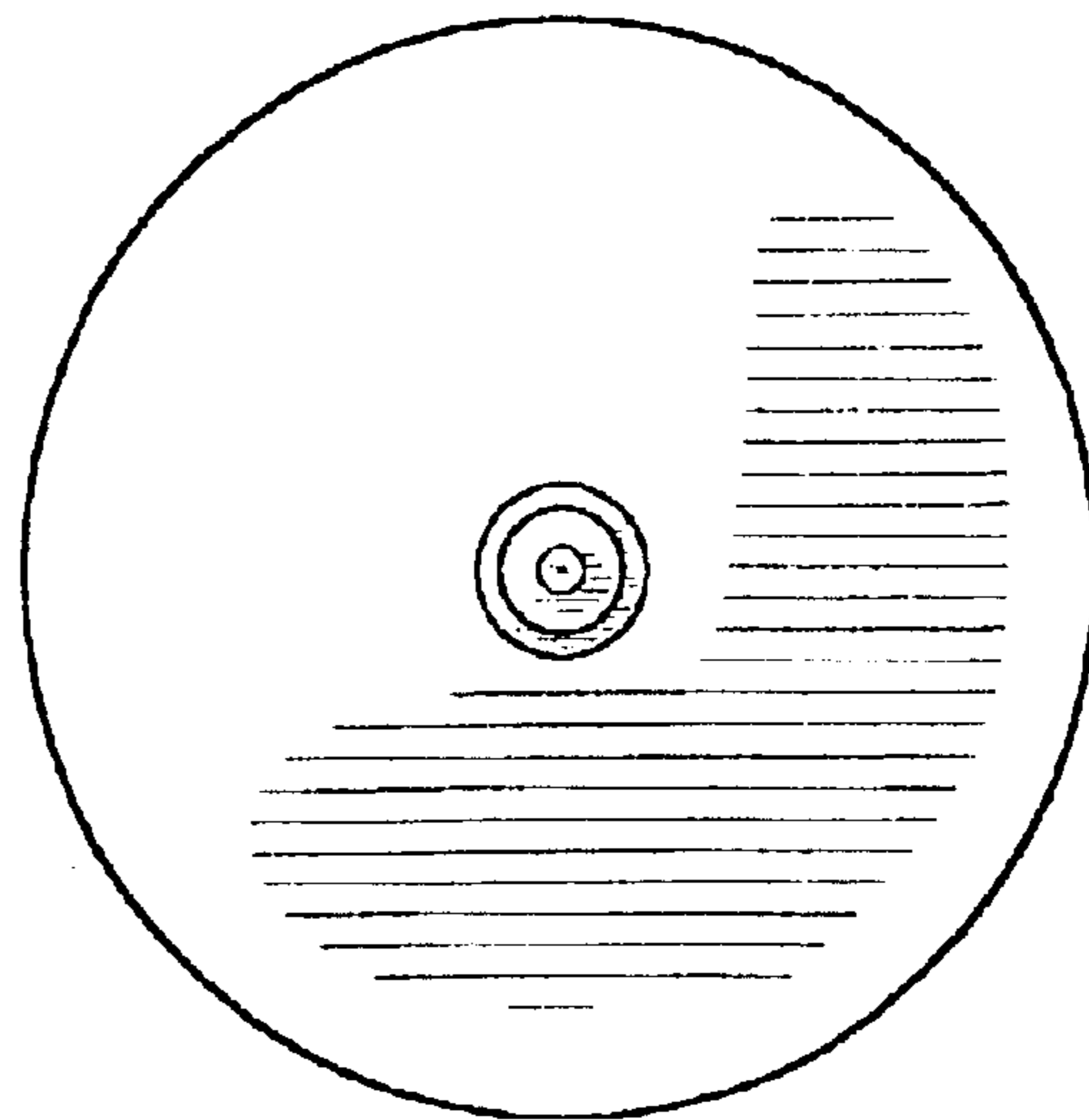
*Fig. 1*



*Fig. 2*



*Fig. 3*



*Fig. 4*