

US00D496179S1

(12) **United States Design Patent**
Sjöberg

(10) **Patent No.: US D496,179 S**

(45) **Date of Patent: ** Sep. 21, 2004**

(54) **SHELF TRAY**

(75) Inventor: **Mårten Sjöberg**, Stockholm (SE)

(73) Assignee: **HL Display AB**, Skarpnack (SE)

(**) Term: **14 Years**

(21) Appl. No.: **29/195,799**

(22) Filed: **Dec. 18, 2003**

(30) **Foreign Application Priority Data**

Jun. 18, 2003 (SE) 03-0638

(51) **LOC (7) Cl.** **06-04**

(52) **U.S. Cl.** **D6/408**

(58) **Field of Search** D6/408, 449, 475,
D6/476, 510, 511, 515, 626; 211/51, 59.2,
59.3, 126.1; 206/449, 555, 556, 565; 312/185

(56) **References Cited**

U.S. PATENT DOCUMENTS

613,631	A	*	11/1898	Horrocks	211/51
663,726	A	*	12/1900	Carlen	211/51
1,532,436	A	*	4/1925	Musil	206/449
D254,415	S	*	3/1980	Kingsford	D6/408
D263,538	S	*	3/1982	Briggs et al.	D6/408
D290,790	S	*	7/1987	Nathan et al.	D6/408
D390,052	S	*	2/1998	Wolff	D6/510
5,718,337	A	*	2/1998	Carr et al.	206/555
D402,130	S	*	12/1998	Wolff	D6/408

D478,737 S * 8/2003 Sparkowski D6/408

* cited by examiner

Primary Examiner—Mimosa De

(74) *Attorney, Agent, or Firm*—Sughrue Mion, PLLC

(57) **CLAIM**

The ornamental design for a shelf tray, as shown and described.

DESCRIPTION

FIG. 1 is a perspective view of the top, front and left side of a shelf tray showing my new design;

FIG. 2 is a perspective view of the bottom, front and left side thereof;

FIG. 3 is a top plan view thereof;

FIG. 4 is a bottom plan view thereof;

FIG. 5 is a left side elevational view thereof, the right side being a mirror image thereof;

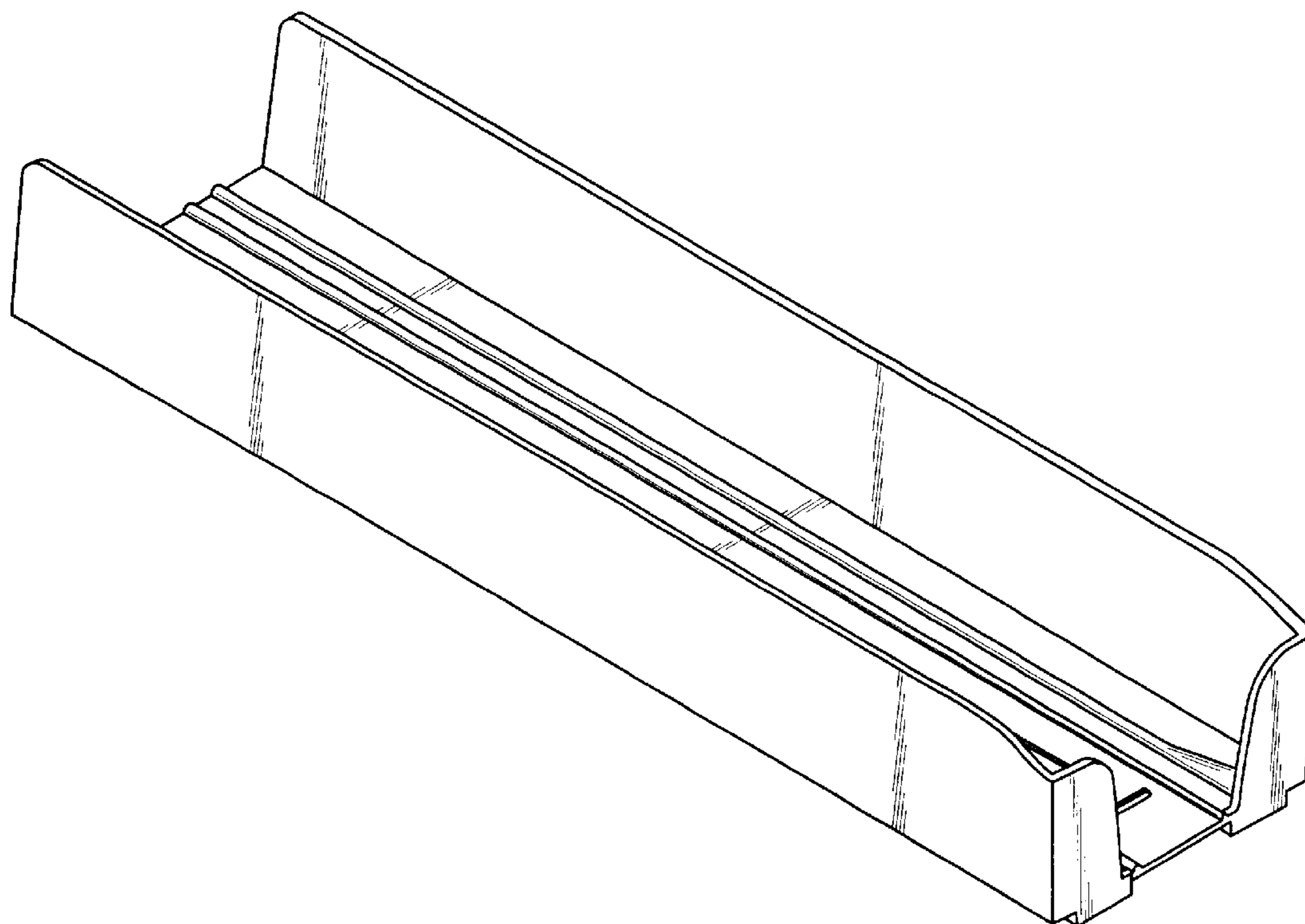
FIG. 6 is a rear elevational view thereof;

FIG. 7 is a front elevational view thereof;

FIG. 8 is an enlarged detail view of a bottom projection adjacent the front as shown in FIG. 4. The beveled edges shown in FIG. 8 are understood to occur around the entire bottom perimeter and around bottom small rectangular projections shown in FIGS. 2 and 4; and,

FIG. 9 is an enlarged detail of a bottom projection adjacent the front as shown in FIG. 2.

1 Claim, 5 Drawing Sheets



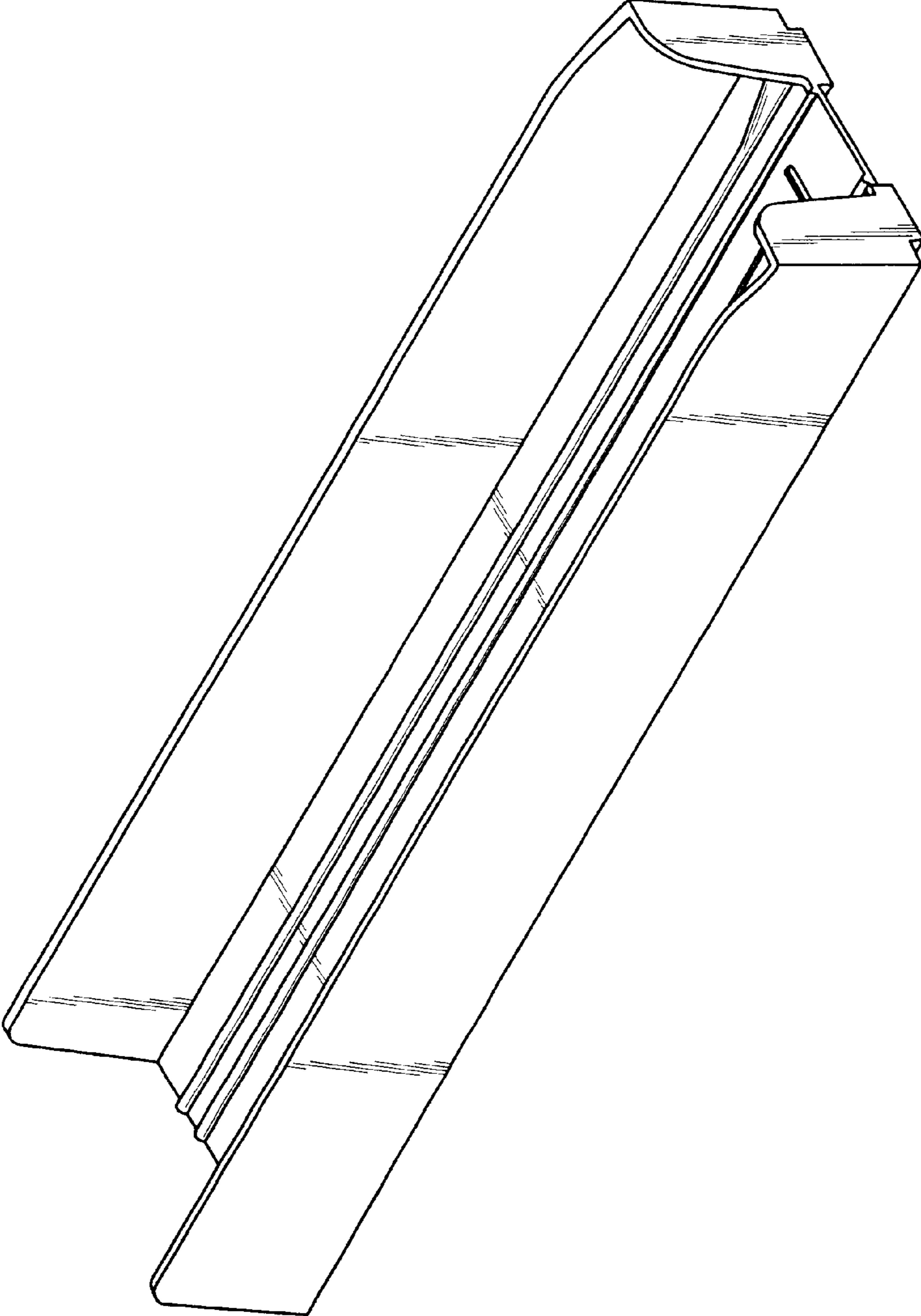


Fig. 1

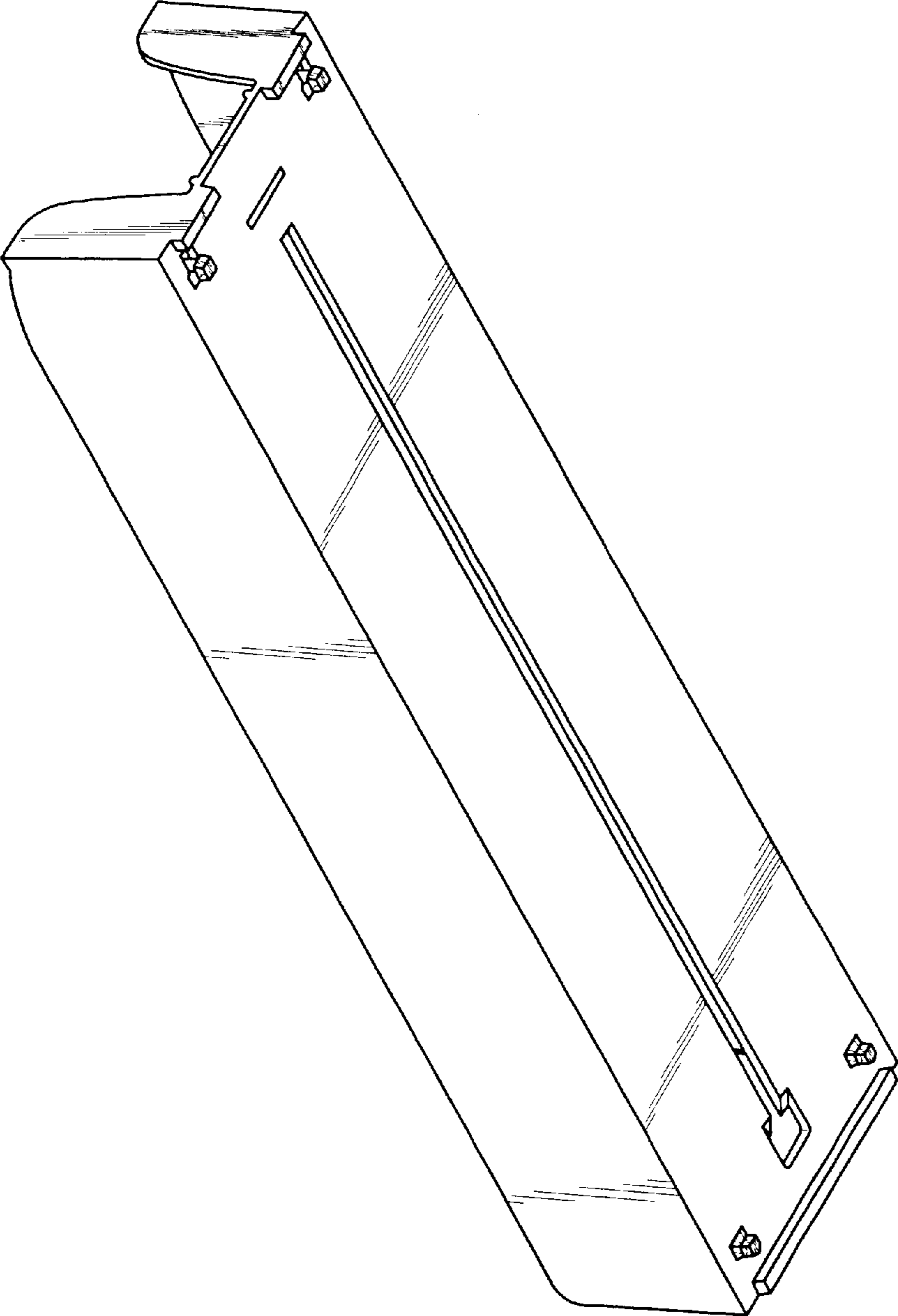


Fig. 2

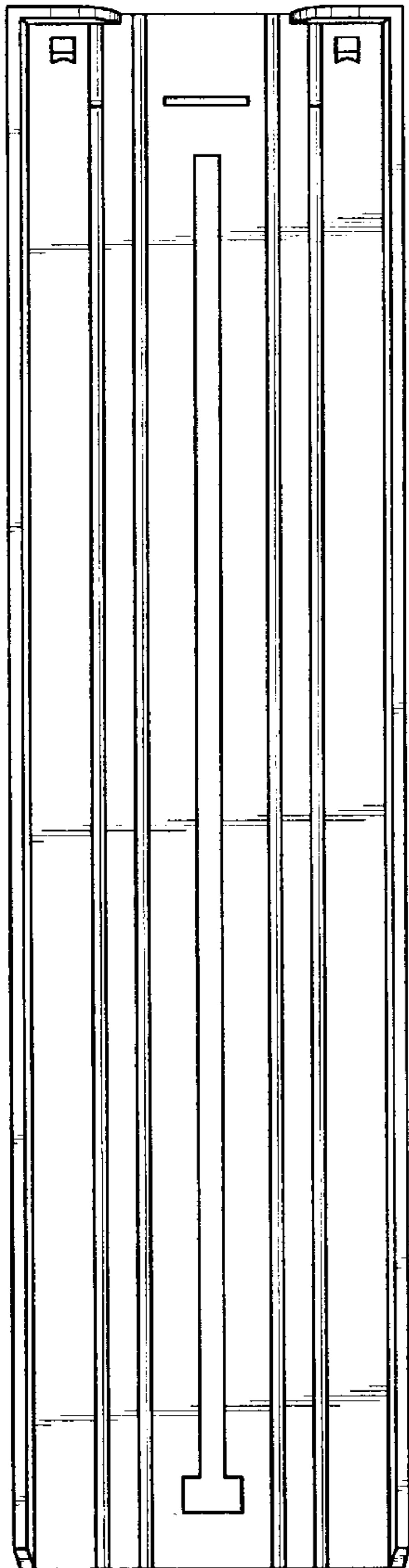


Fig. 3

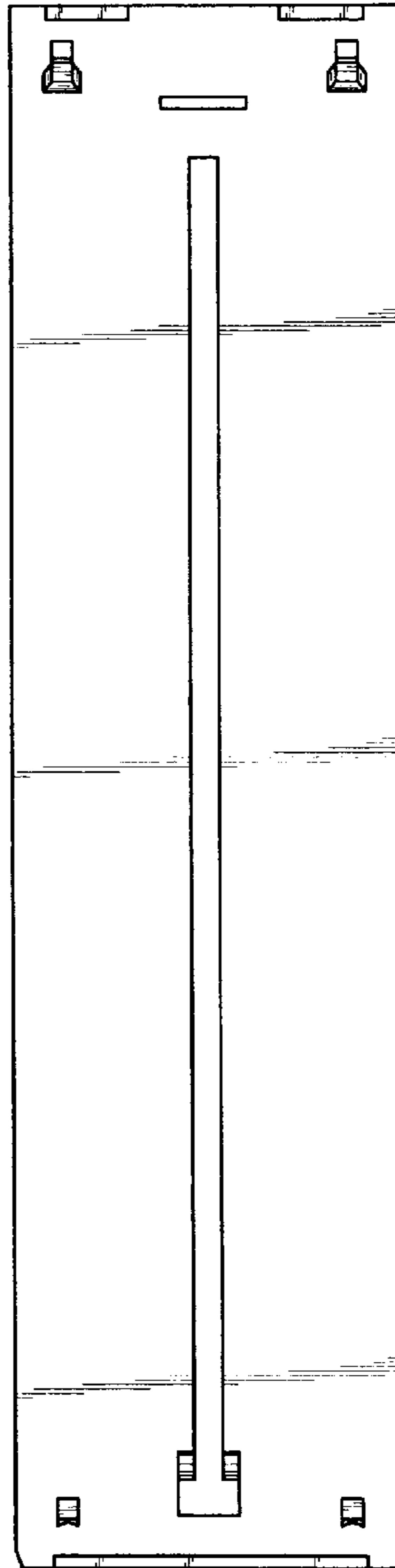


Fig. 4

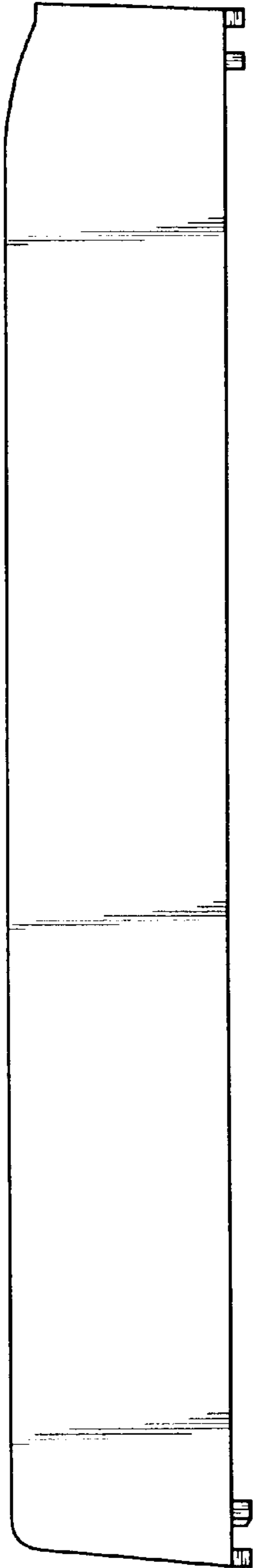


Fig. 5

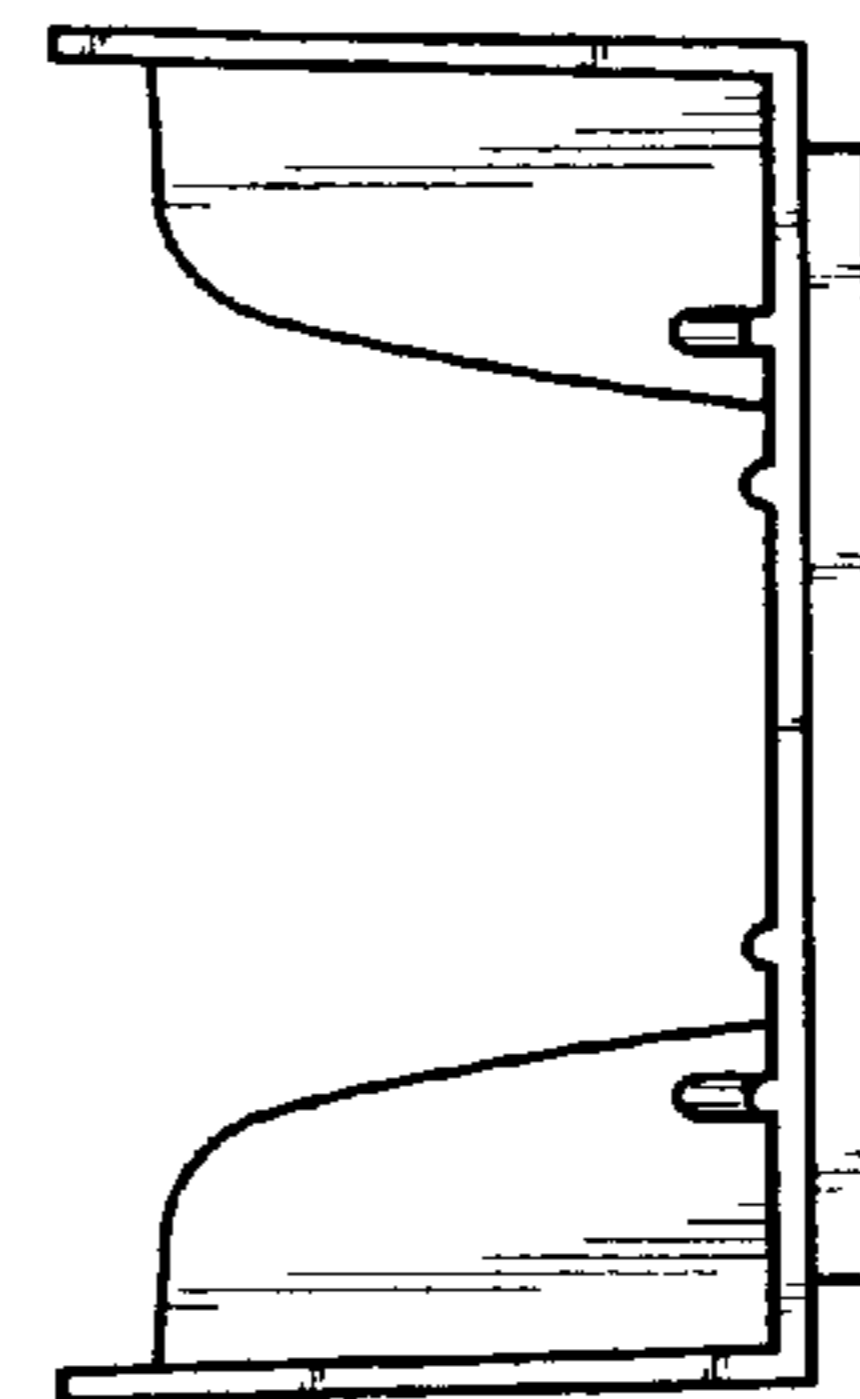


Fig. 6

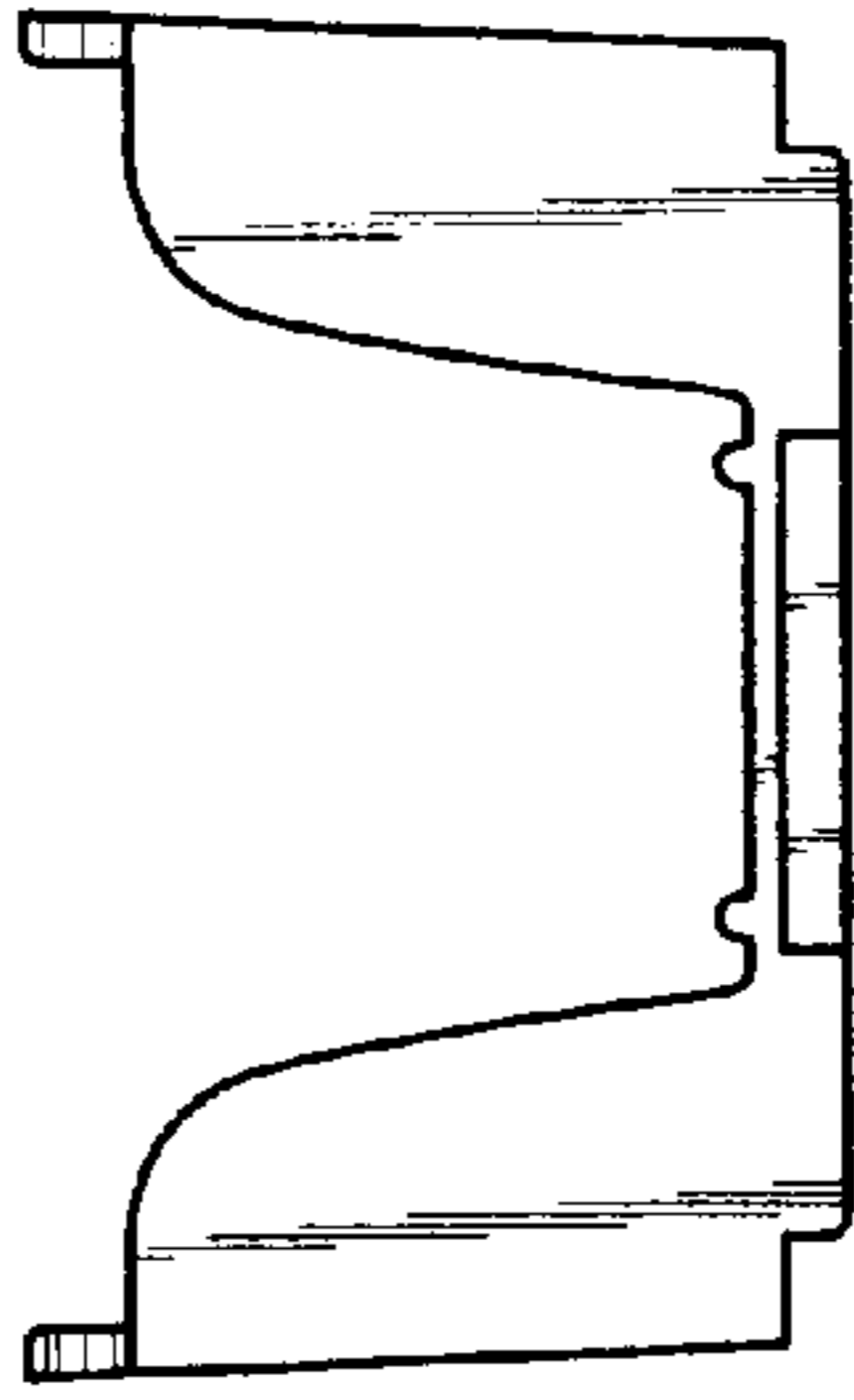


Fig. 7

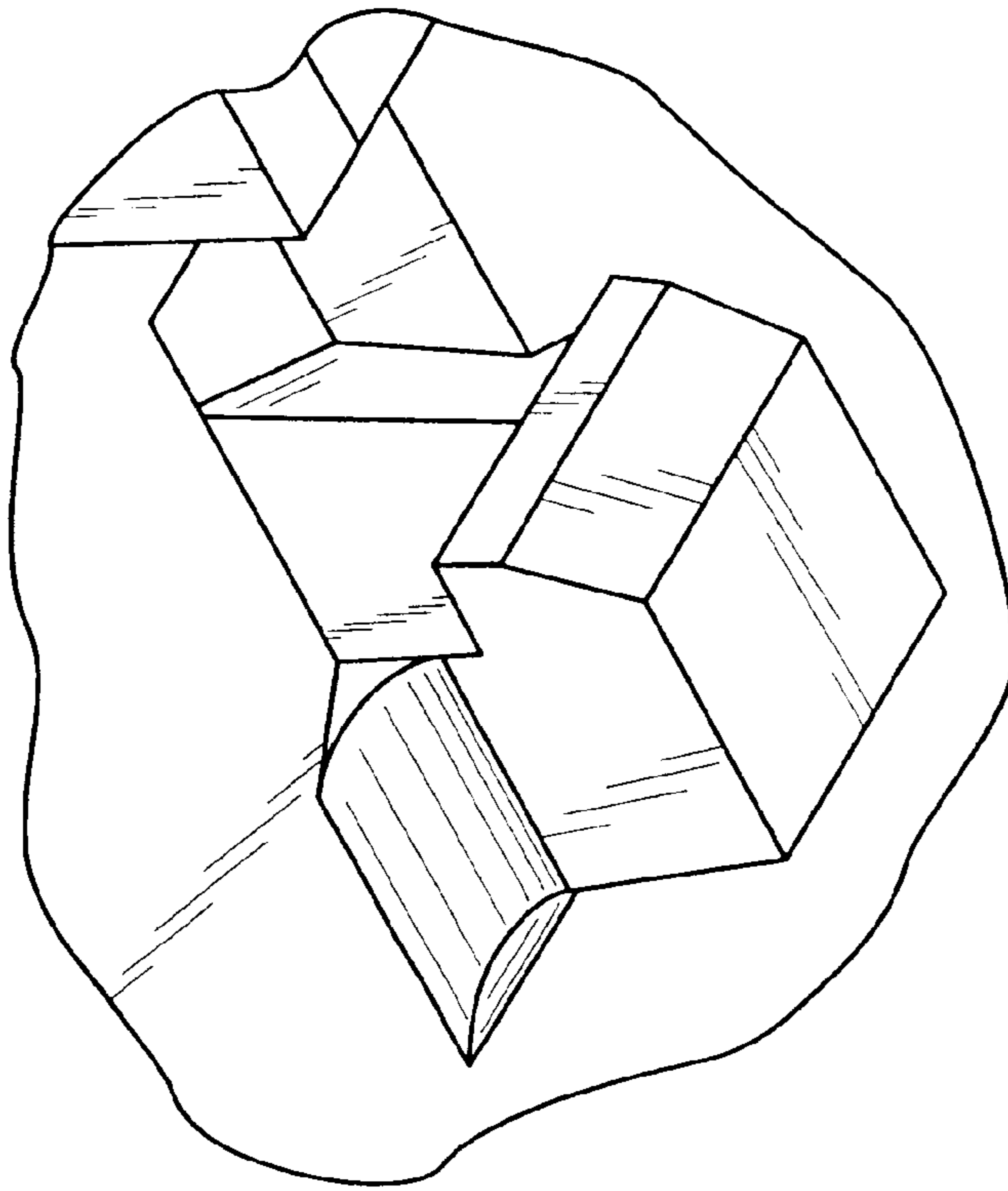


Fig. 9

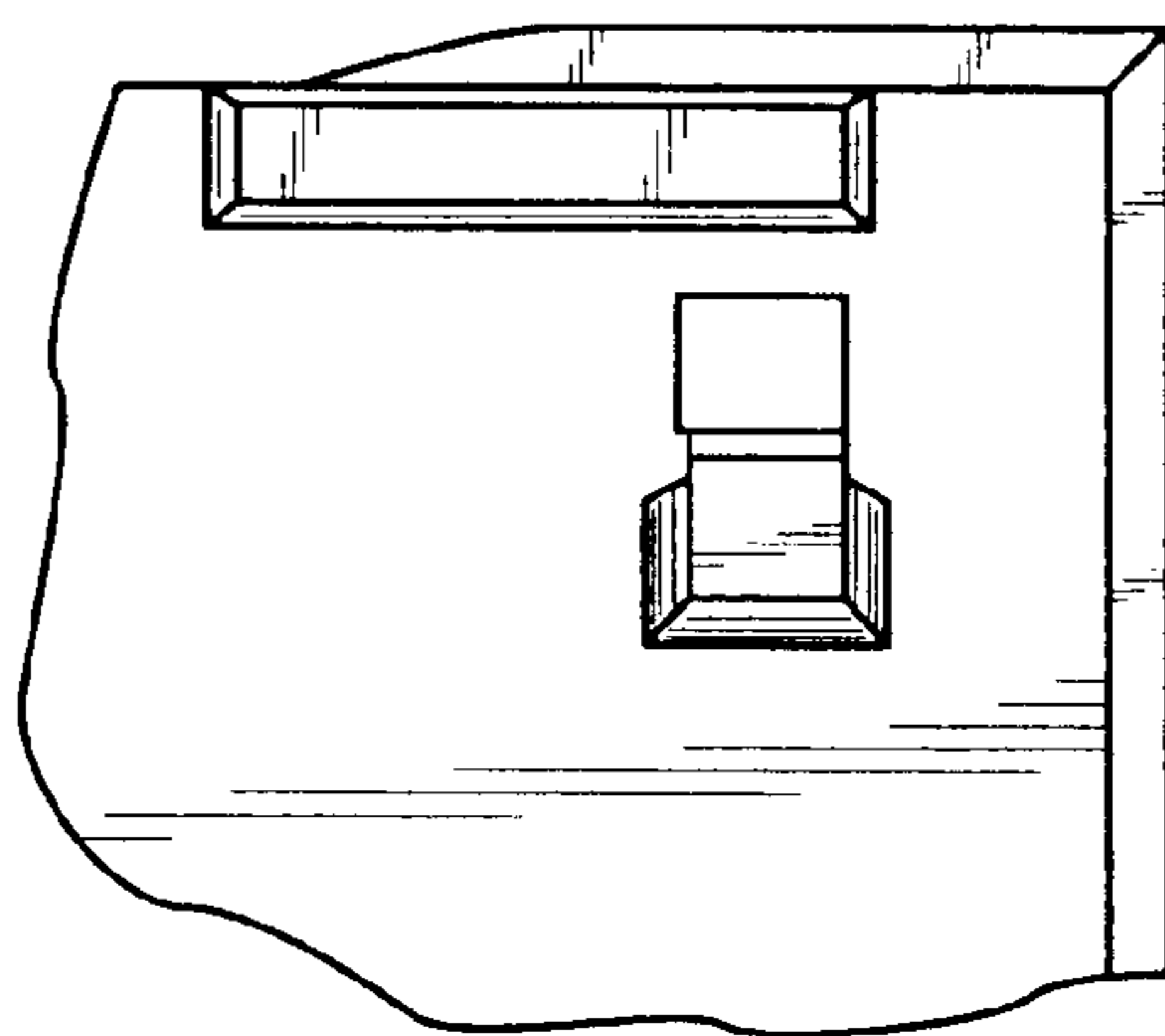


Fig. 8