

US00D496167S1

(12) **United States Design Patent**
Blakeslee et al.

(10) **Patent No.:** **US D496,167 S**

(45) **Date of Patent:** **** Sep. 21, 2004**

(54) **DINOSAUR ROCKER**

(76) Inventors: **Stanton E. Blakeslee**, 1076
Northwoods Dr., Greenville, NC (US)
27834; **John H. Barkand**, 898 Falcon
Cir., Greenville, NC (US) 27834

(**) Term: **14 Years**

(21) Appl. No.: **29/199,091**

(22) Filed: **Feb. 10, 2004**

(51) **LOC (7) Cl.** **06-01**

(52) **U.S. Cl.** **D6/345**

(58) **Field of Search** D6/334–336, 344,
D6/345, 348, 358, 359, 375, 500–502;
297/181, 258.1, 271.5, 271.6; D21/412,
414, 415, 428, 519, 521, 615, 832; 472/95,
118

(56) **References Cited**

U.S. PATENT DOCUMENTS

D316,575 S * 4/1991 Warren D21/415

D339,386 S * 9/1993 Reynolds D21/615
D359,170 S * 6/1995 Lyons et al. D6/359
D405,971 S * 2/1999 Grimsrud D6/375

* cited by examiner

Primary Examiner—Mimosa De
(74) *Attorney, Agent, or Firm*—MacCord Mason PLLC

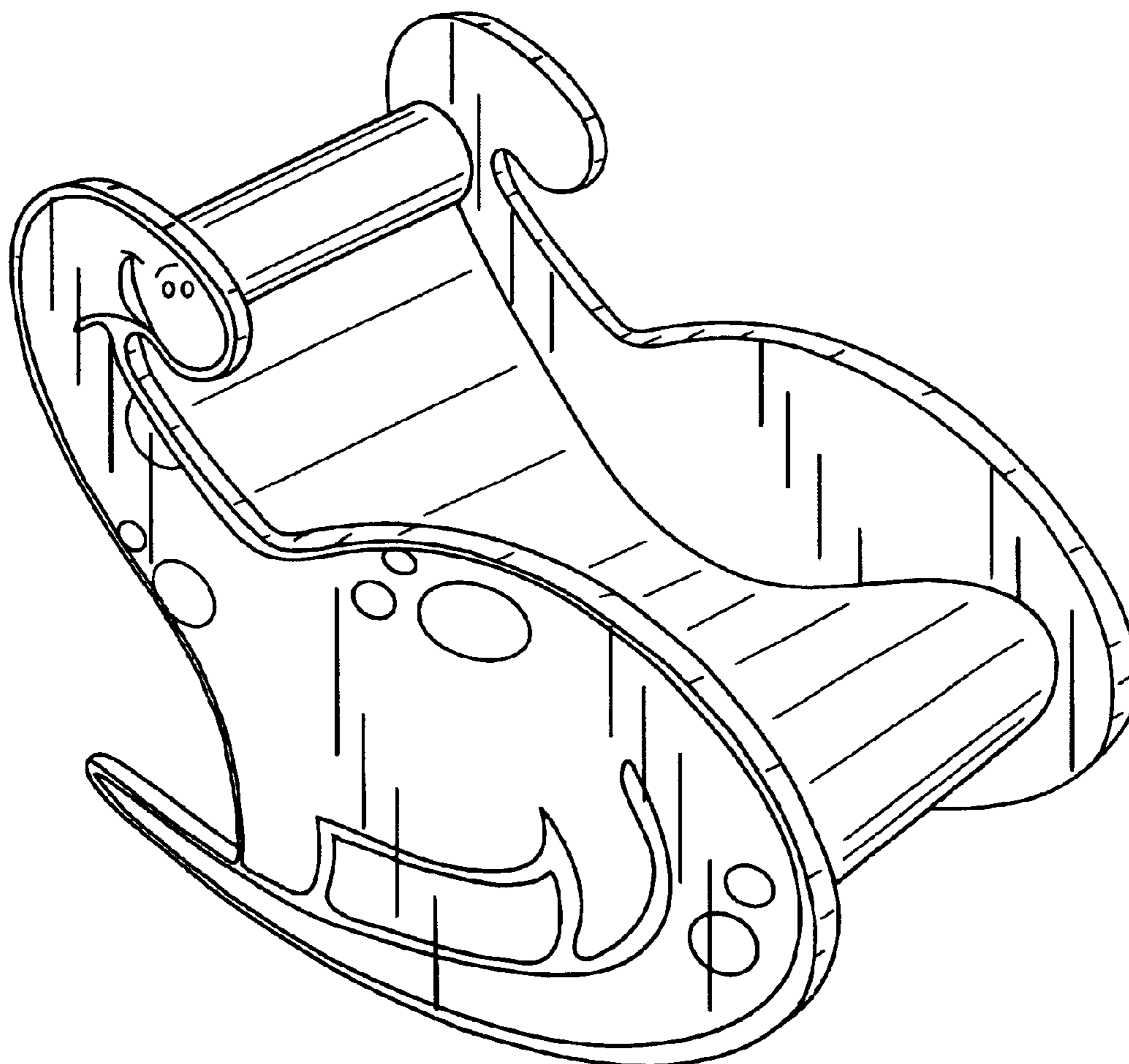
(57) **CLAIM**

The ornamental design for a dinosaur rocker, as shown and described.

DESCRIPTION

FIG. 1 is a perspective view of the dinosaur rocker.
FIG. 2 is a right side view of the dinosaur rocker.
FIG. 3 is a left side view of the dinosaur rocker.
FIG. 4 is a front view of the dinosaur rocker.
FIG. 5 is a back view of the dinosaur rocker.
FIG. 6 is a top view of the dinosaur rocker; and,
FIG. 7 is a bottom view of the dinosaur rocker.

1 Claim, 4 Drawing Sheets



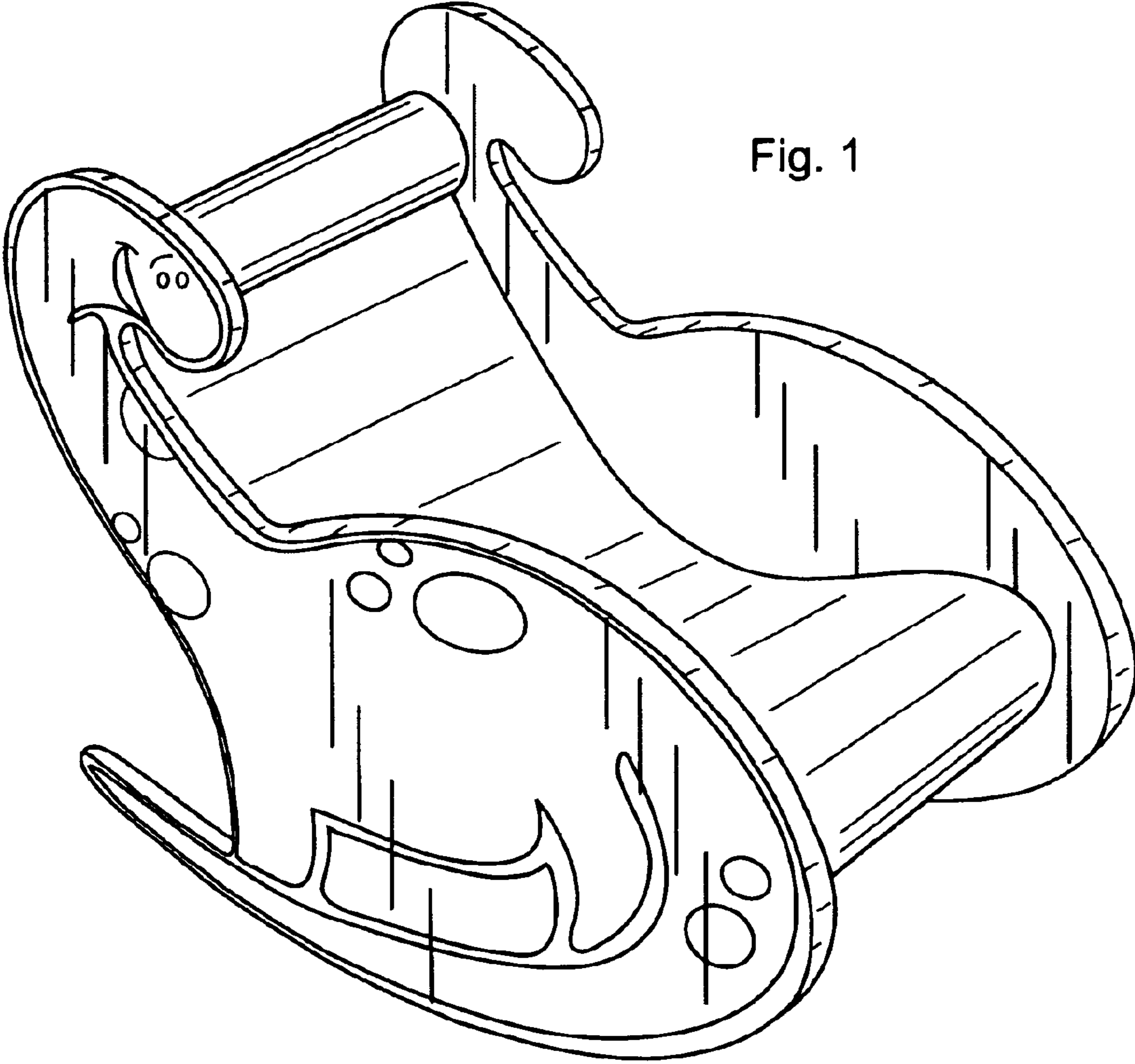


Fig. 1

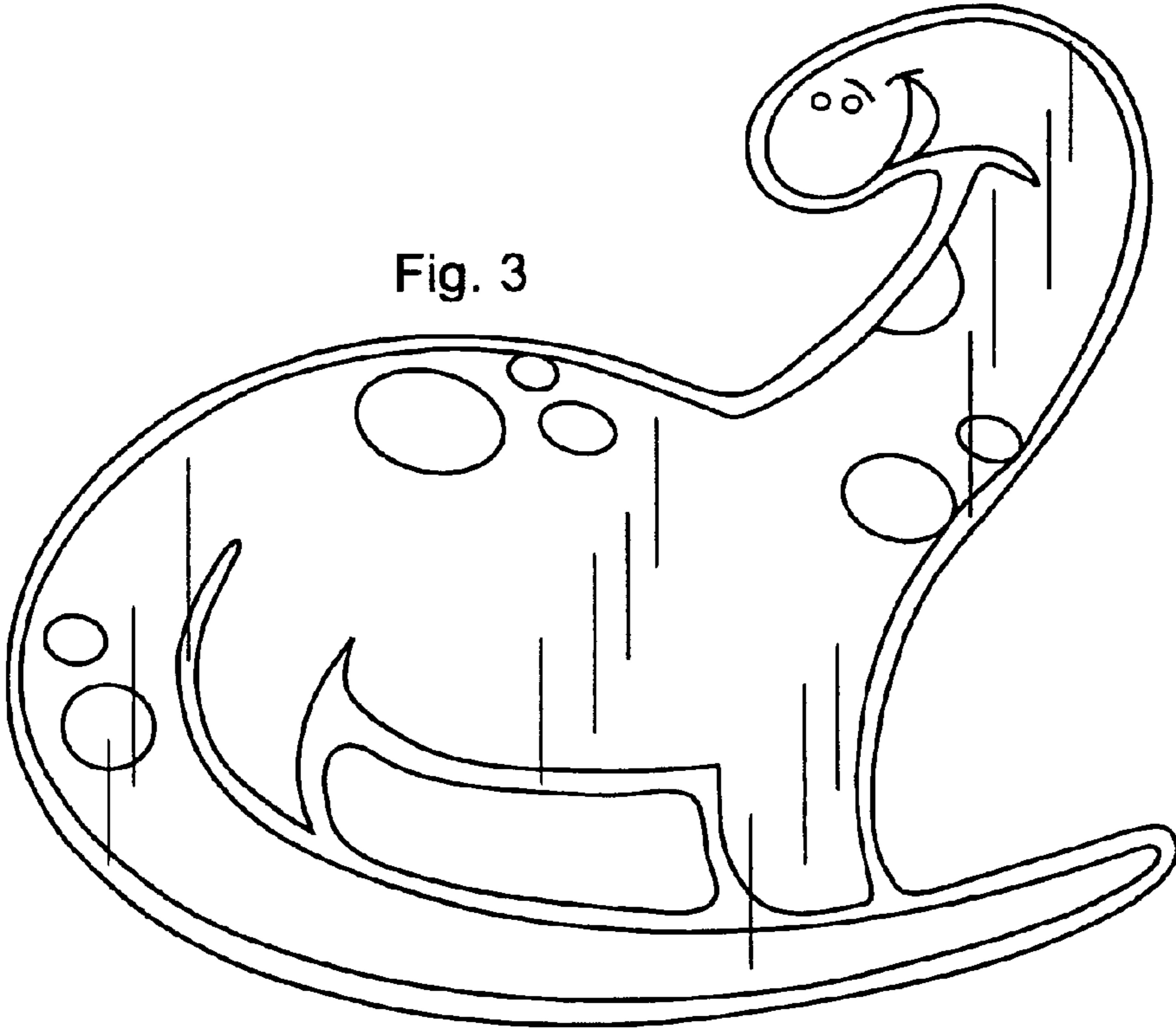
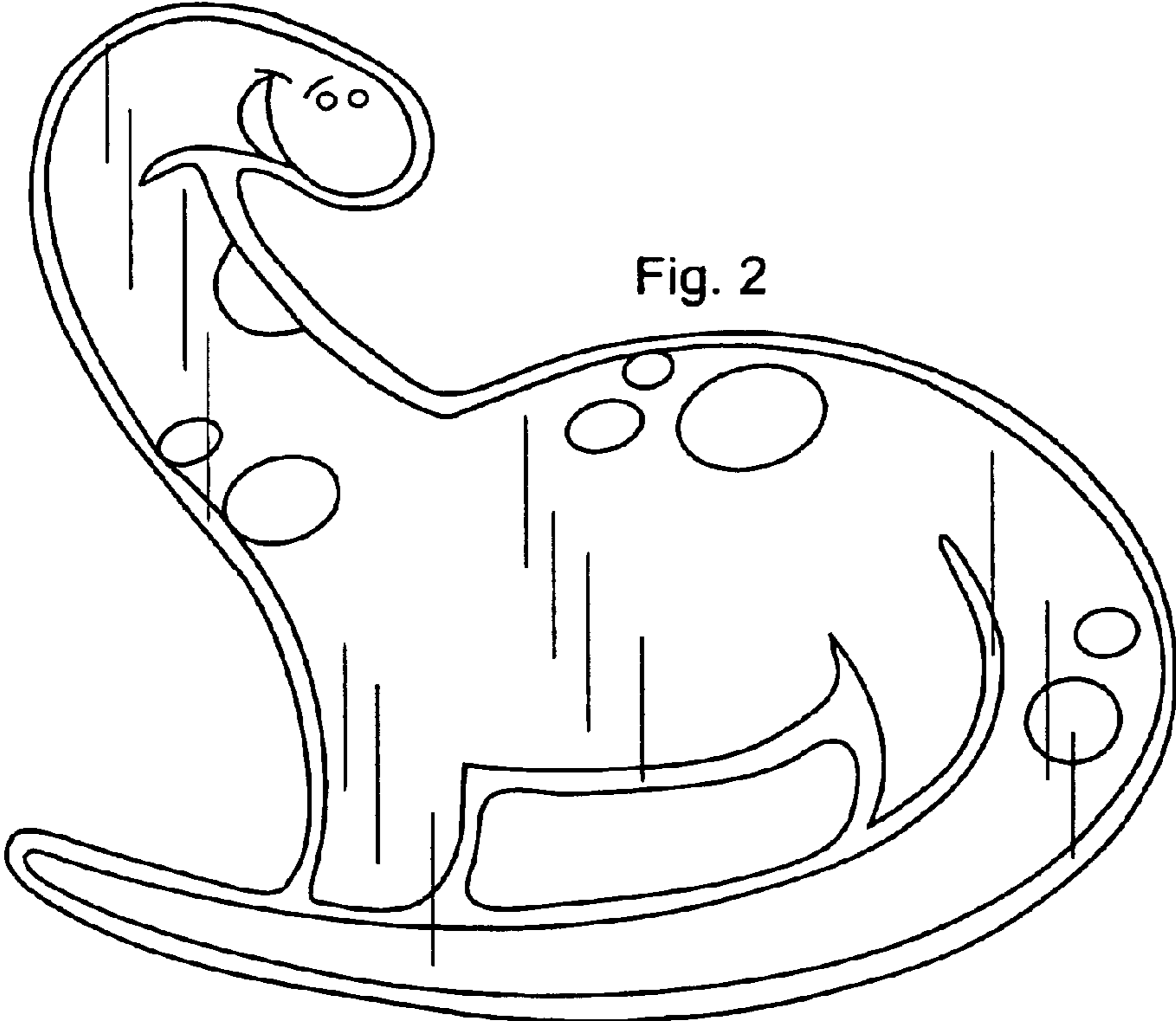


Fig. 4

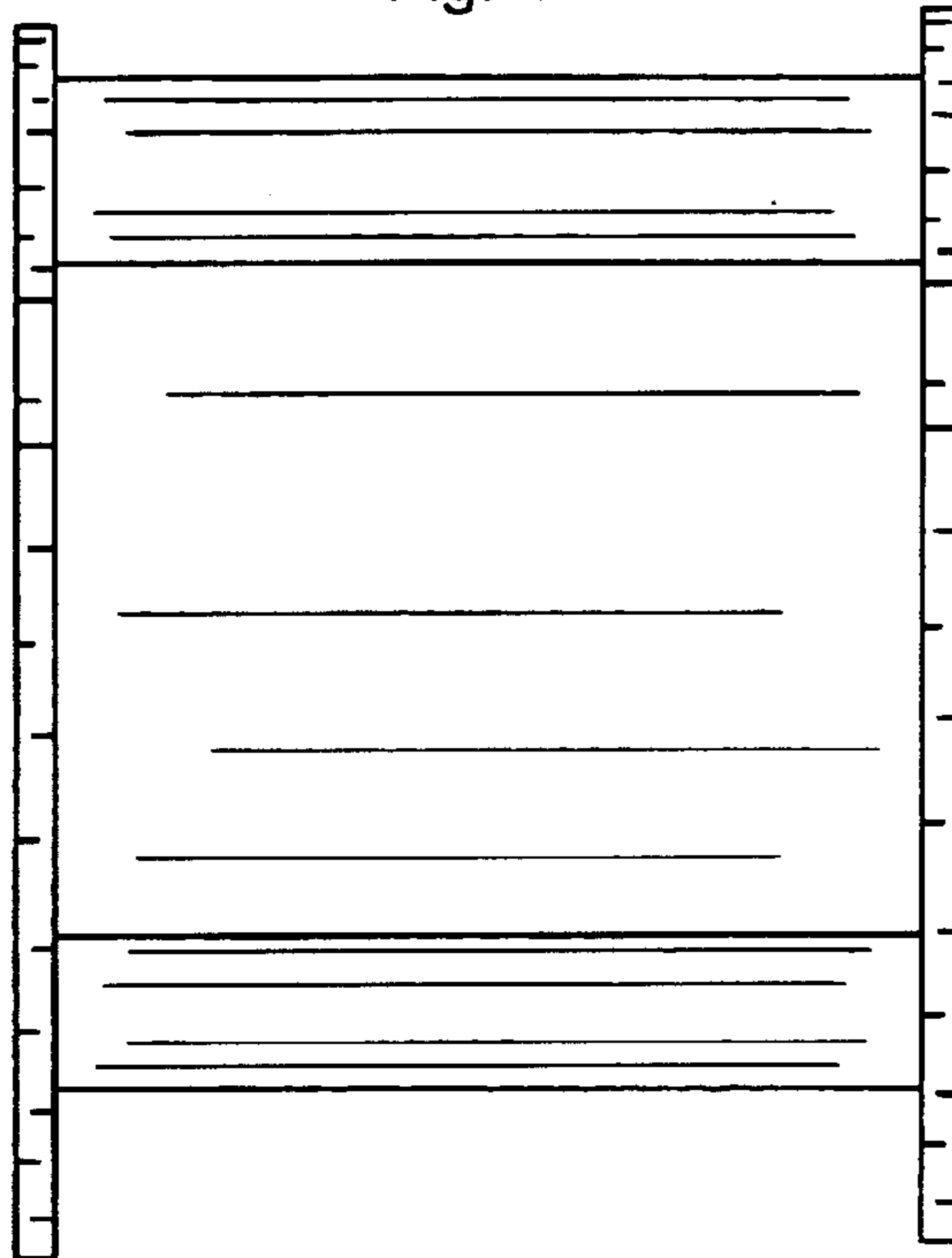


Fig. 5

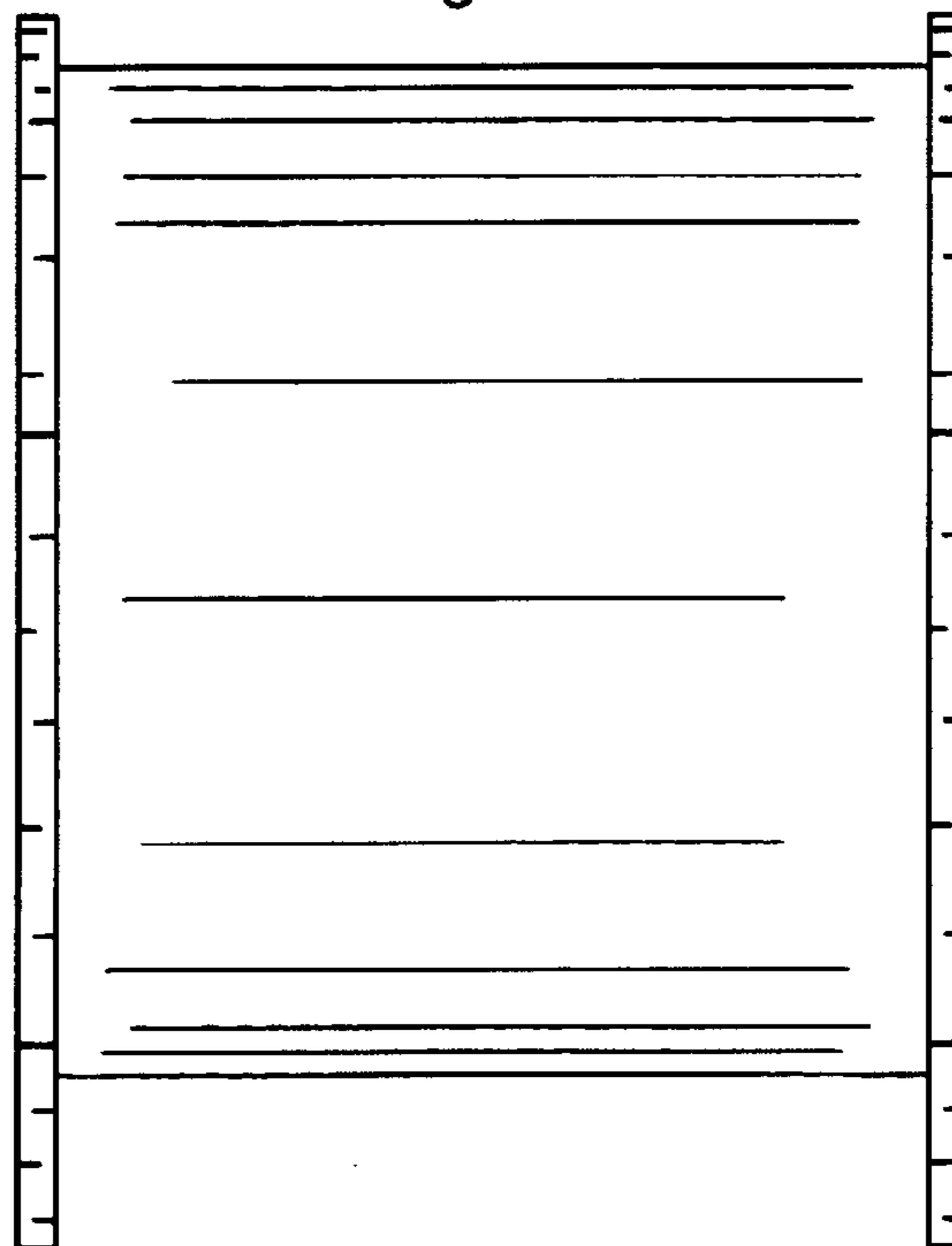


Fig. 6

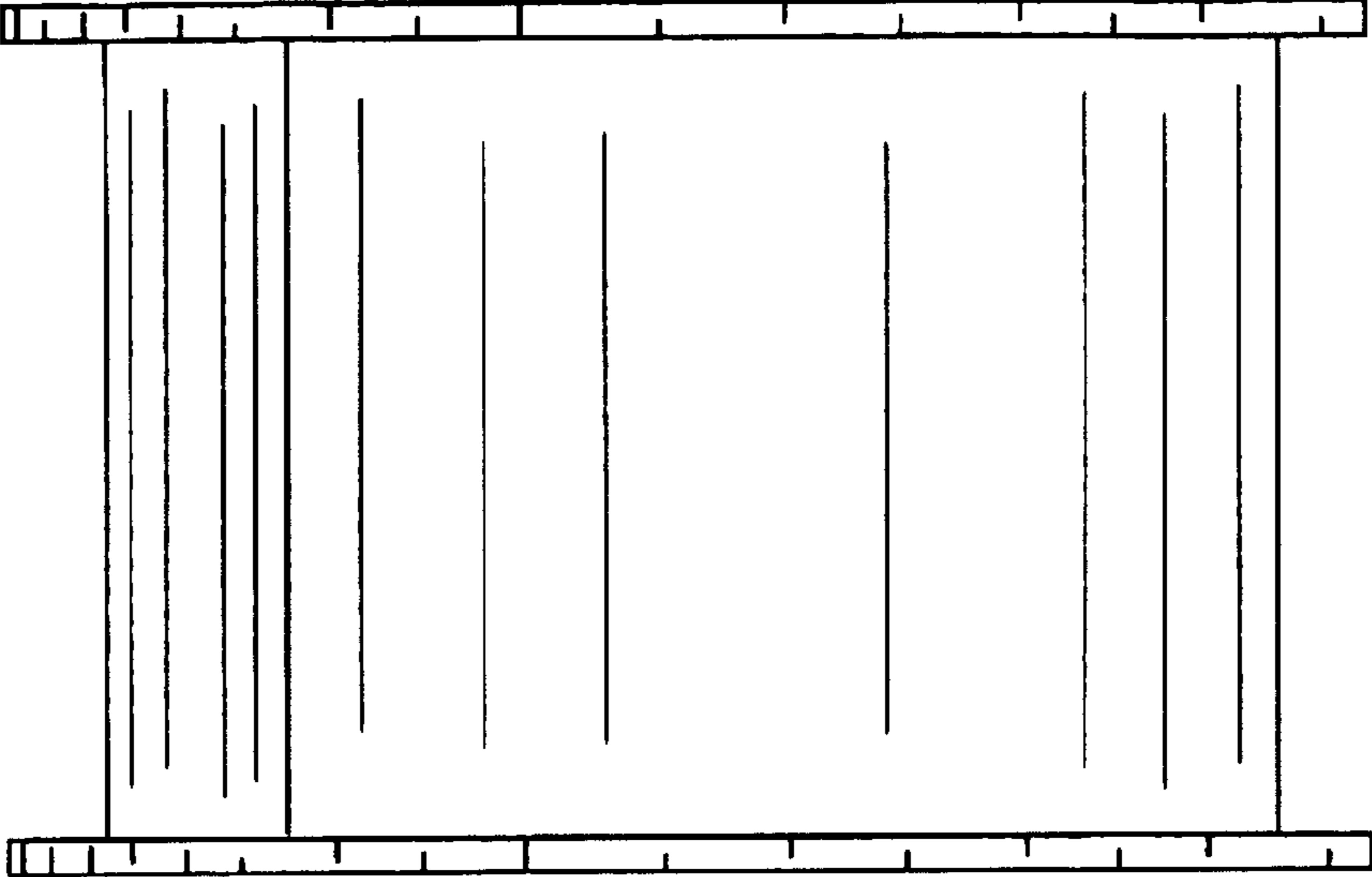


Fig. 7

