

US00D496166S1

(12) **United States Design Patent**  
**Namikawa**

(10) **Patent No.:** **US D496,166 S**

(45) **Date of Patent:** **\*\* Sep. 21, 2004**

(54) **KIDS SEAT**

(75) **Inventor:** **Masao Namikawa, Saitama (JP)**

(73) **Assignee:** **Market Brains, Inc., Tokyo (JP)**

(\*\*) **Term:** **14 Years**

(21) **Appl. No.:** **29/196,370**

(22) **Filed:** **Dec. 29, 2003**

(51) **LOC (7) Cl. .... 06-01**

(52) **U.S. Cl. .... D6/333**

(58) **Field of Search** ..... D6/333-335, 368,  
D6/339, 350, 371-375, 500-502; 297/1,  
3, 16.1, 118, 250.1, 283.1, 423.41, 440.1,  
440.12-440.19, 440.23, 451.8

(56) **References Cited**

**U.S. PATENT DOCUMENTS**

D178,352 S	*	7/1956	Free	.....	D6/333
2,776,700 A	*	1/1957	Potter et al.	.....	297/3
3,575,465 A	*	4/1971	Dolby et al.	.....	297/118
D230,784 S	*	3/1974	Raymond	.....	D6/335
D276,098 S	*	10/1984	Cone	.....	D6/333
D283,855 S	*	5/1986	Kujawski	.....	D6/333
D300,992 S	*	5/1989	Cleavenger	.....	D6/333

D384,214 S \* 9/1997 Green ..... D6/368

\* cited by examiner

*Primary Examiner*—Mimosa De

(74) *Attorney, Agent, or Firm*—Horst M. Kasper

(57) **CLAIM**

The ornamental design for kids seat, as shown and described.

**DESCRIPTION**

FIG. 1 is a front view of kids seat, shown without holding device for ease of illustration

FIG. 2 is a rear view thereof;

FIG. 3 is a right view thereof;

FIG. 4 is a left view thereof;

FIG. 5 is a top view thereof;

FIG. 6 is a bottom view thereof;

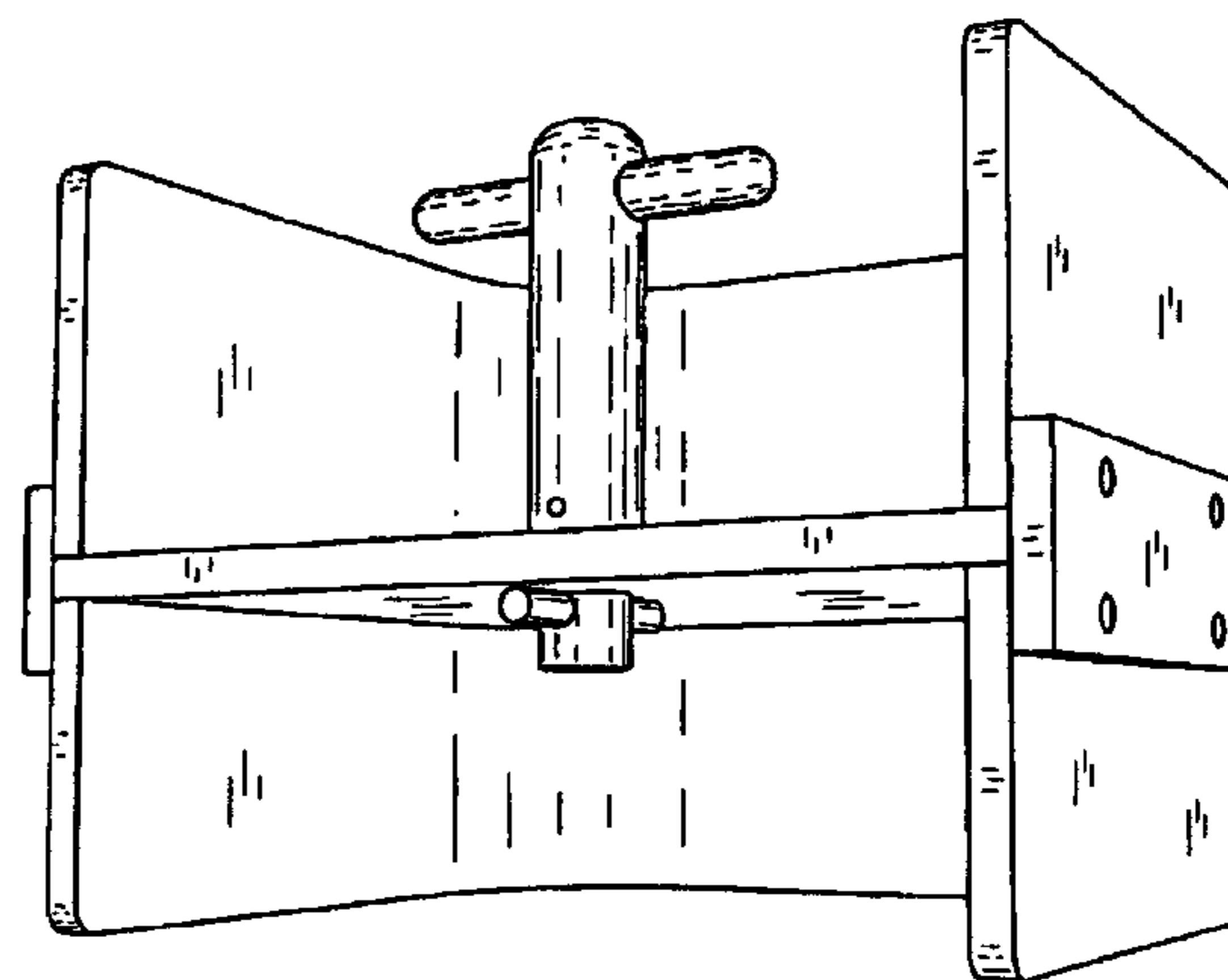
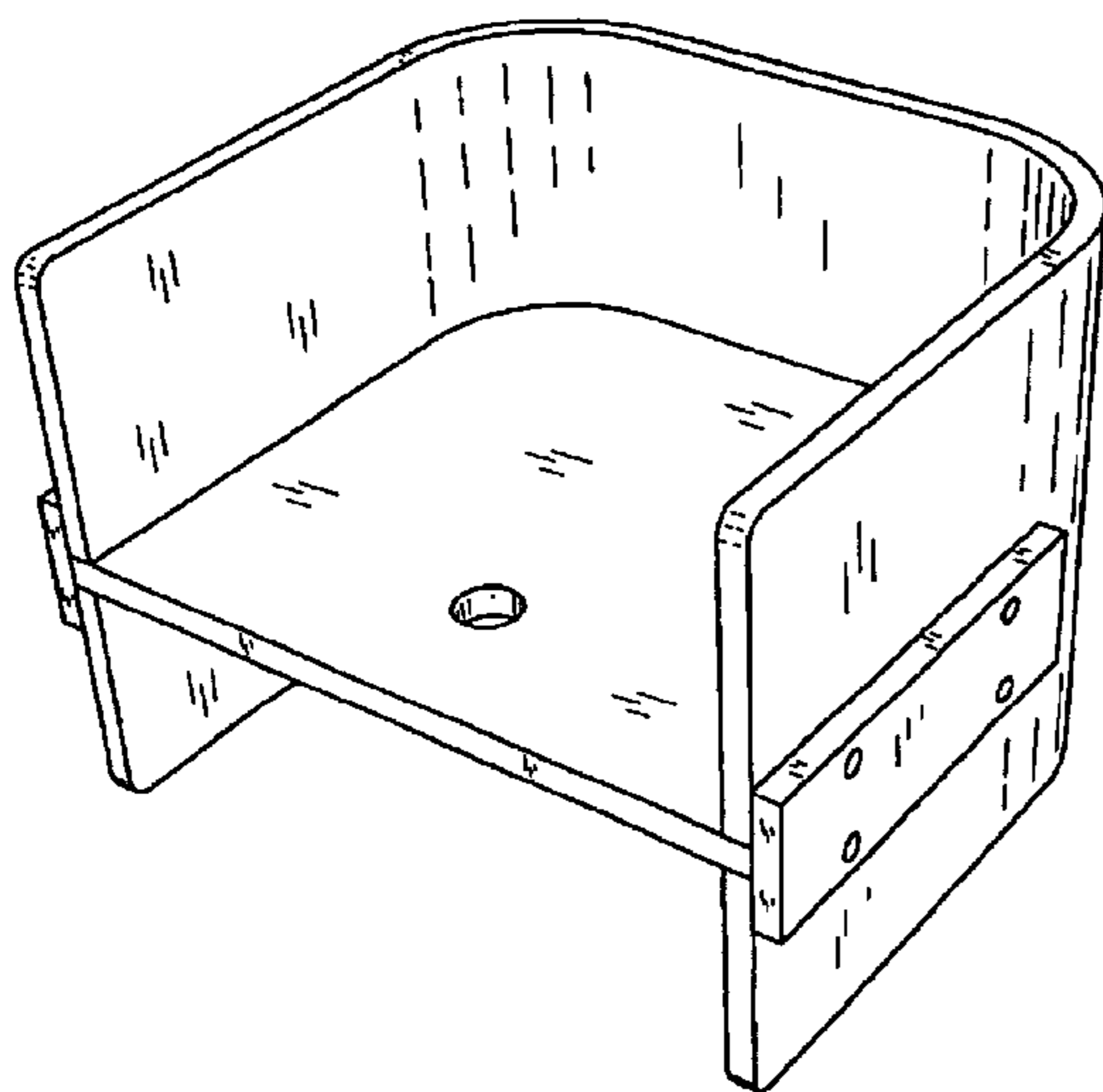
FIG. 7 is a front top perspective view thereof;

FIG. 8 is a front bottom perspective view thereof, with holding device attached;

FIG. 9 is a front top perspective view of the frame thereof, shown separately for ease of illustration; and,

FIG. 10 is a front to perspective view of the seat shown separately for ease of illustration.

**1 Claim, 5 Drawing Sheets**



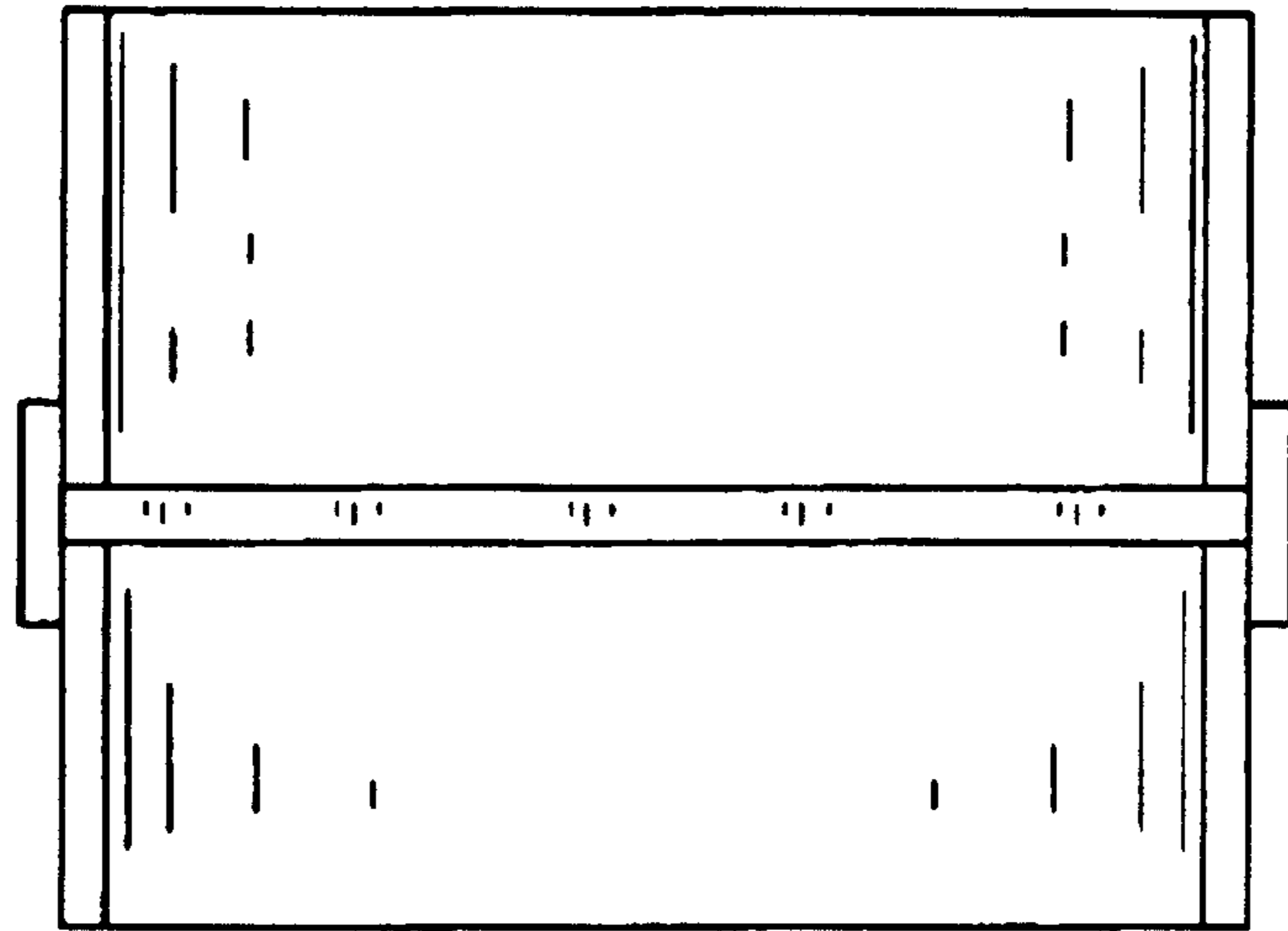


Fig. 1

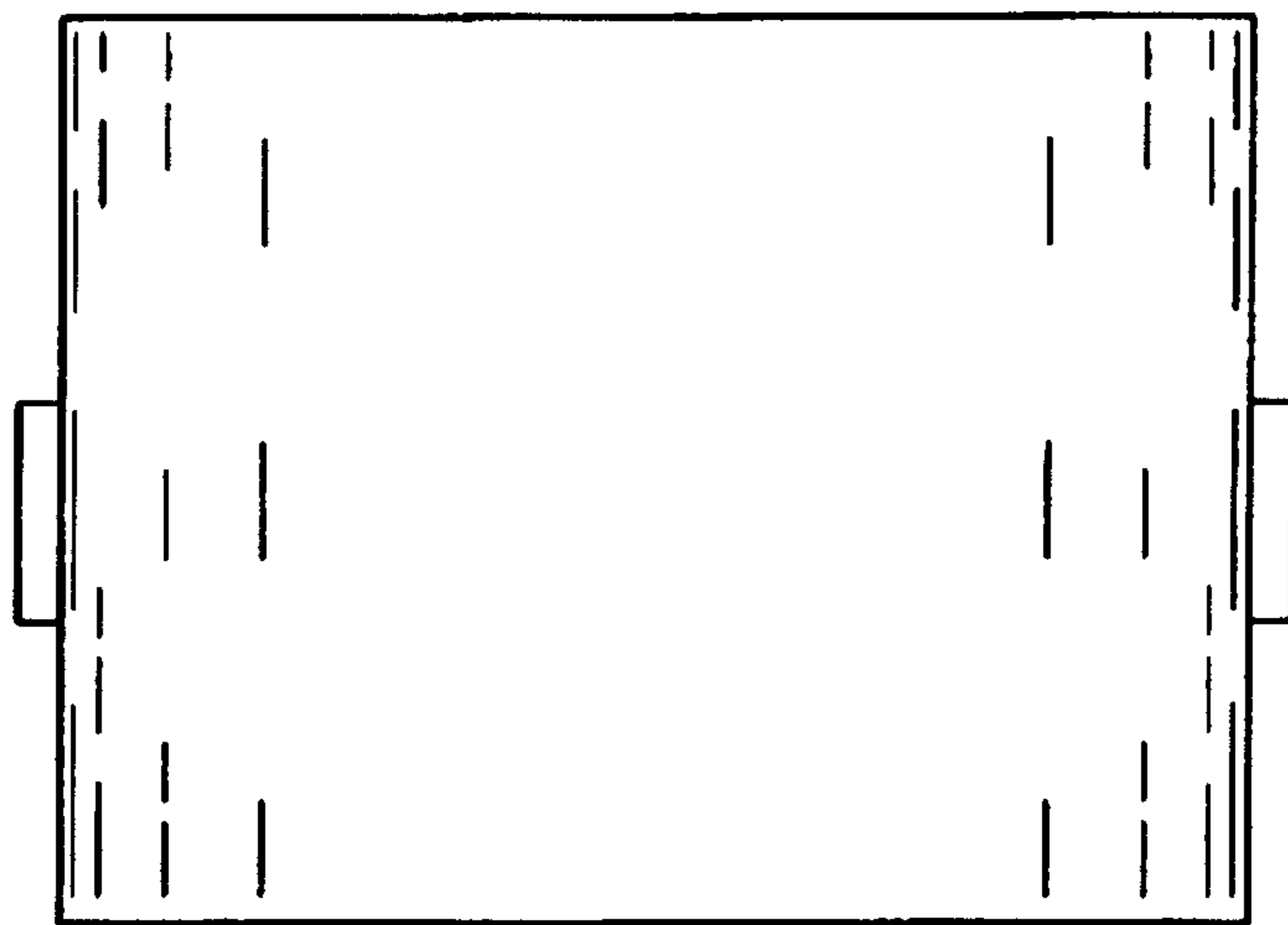


Fig. 2

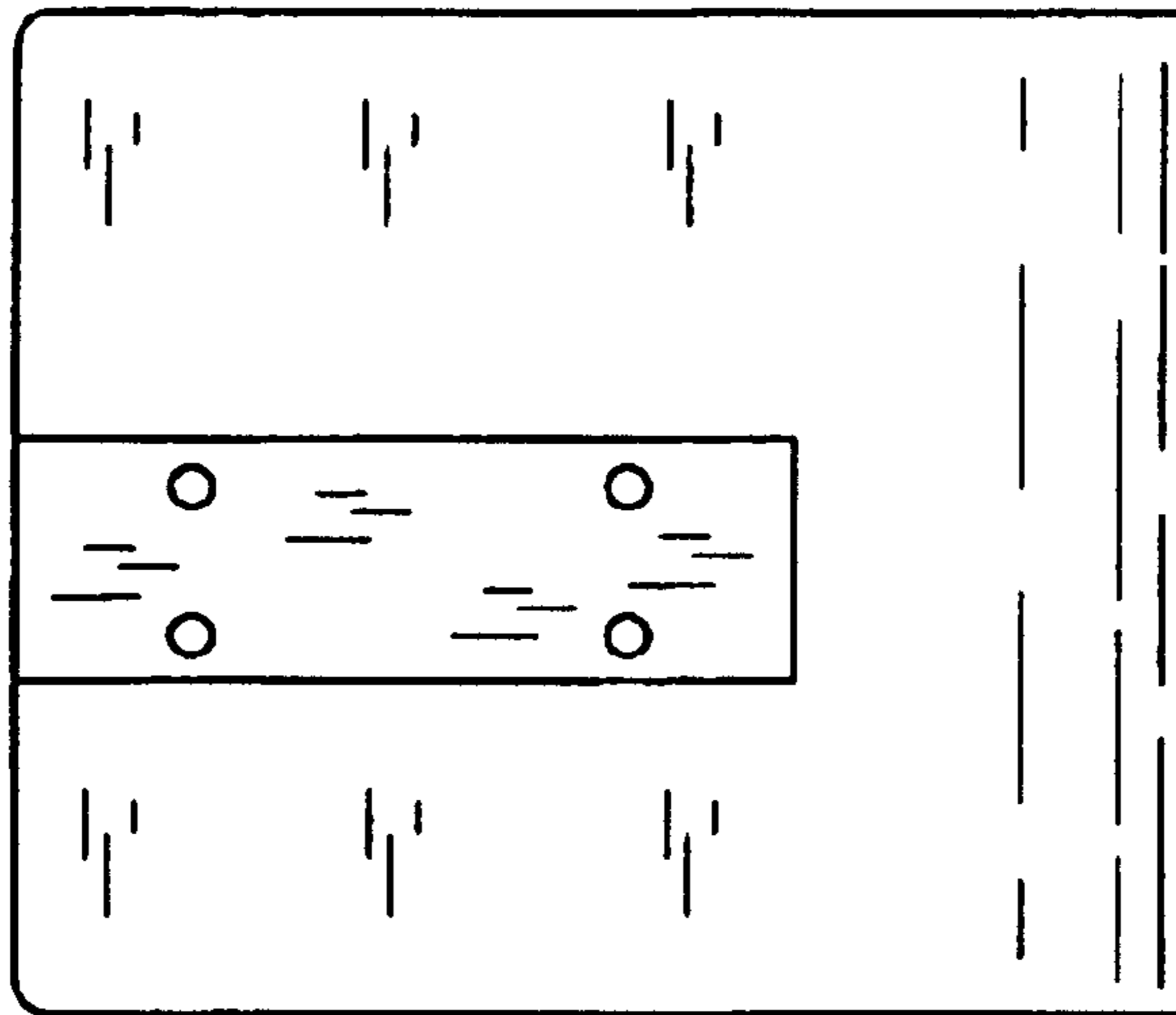


Fig. 3

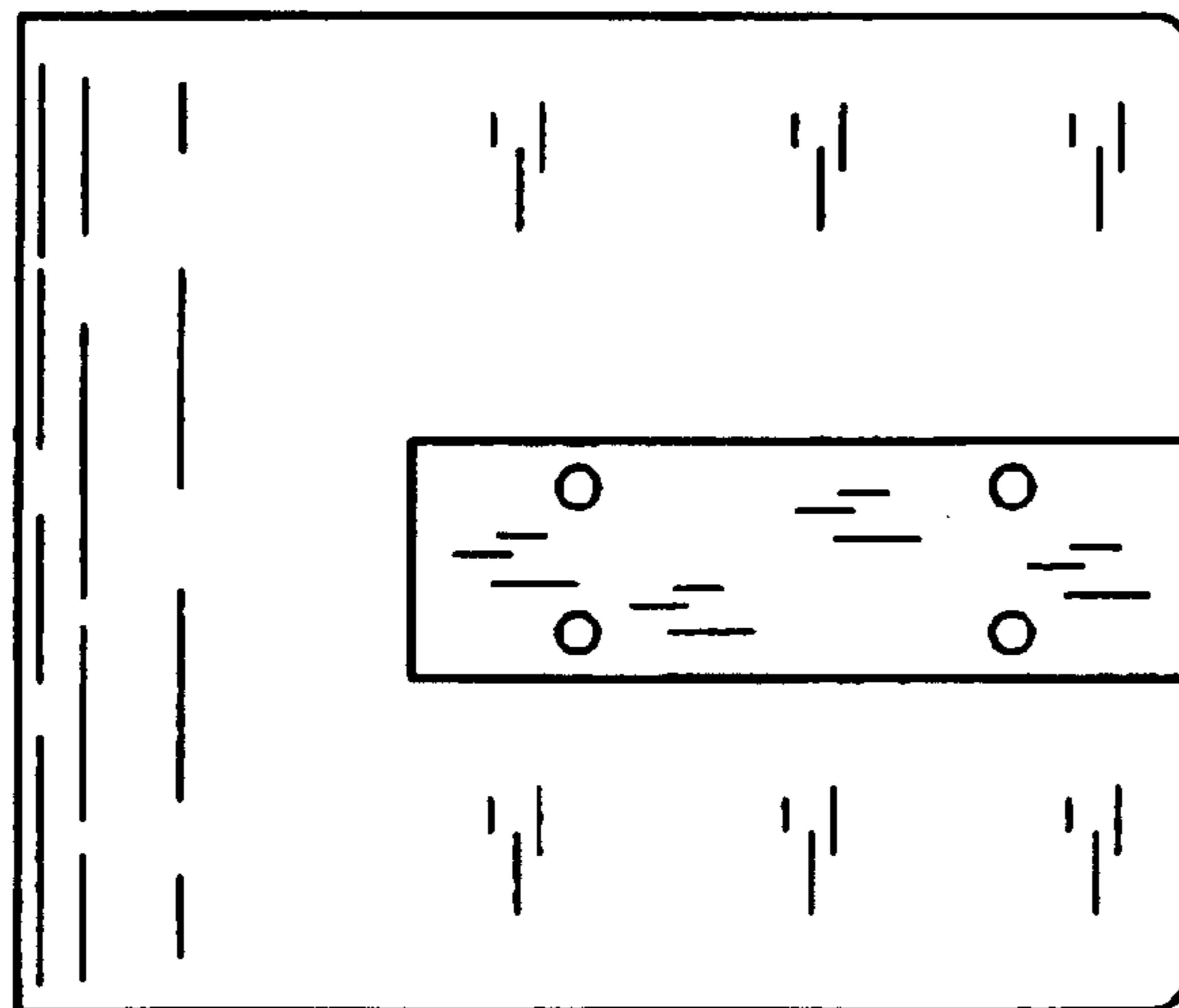


Fig. 4

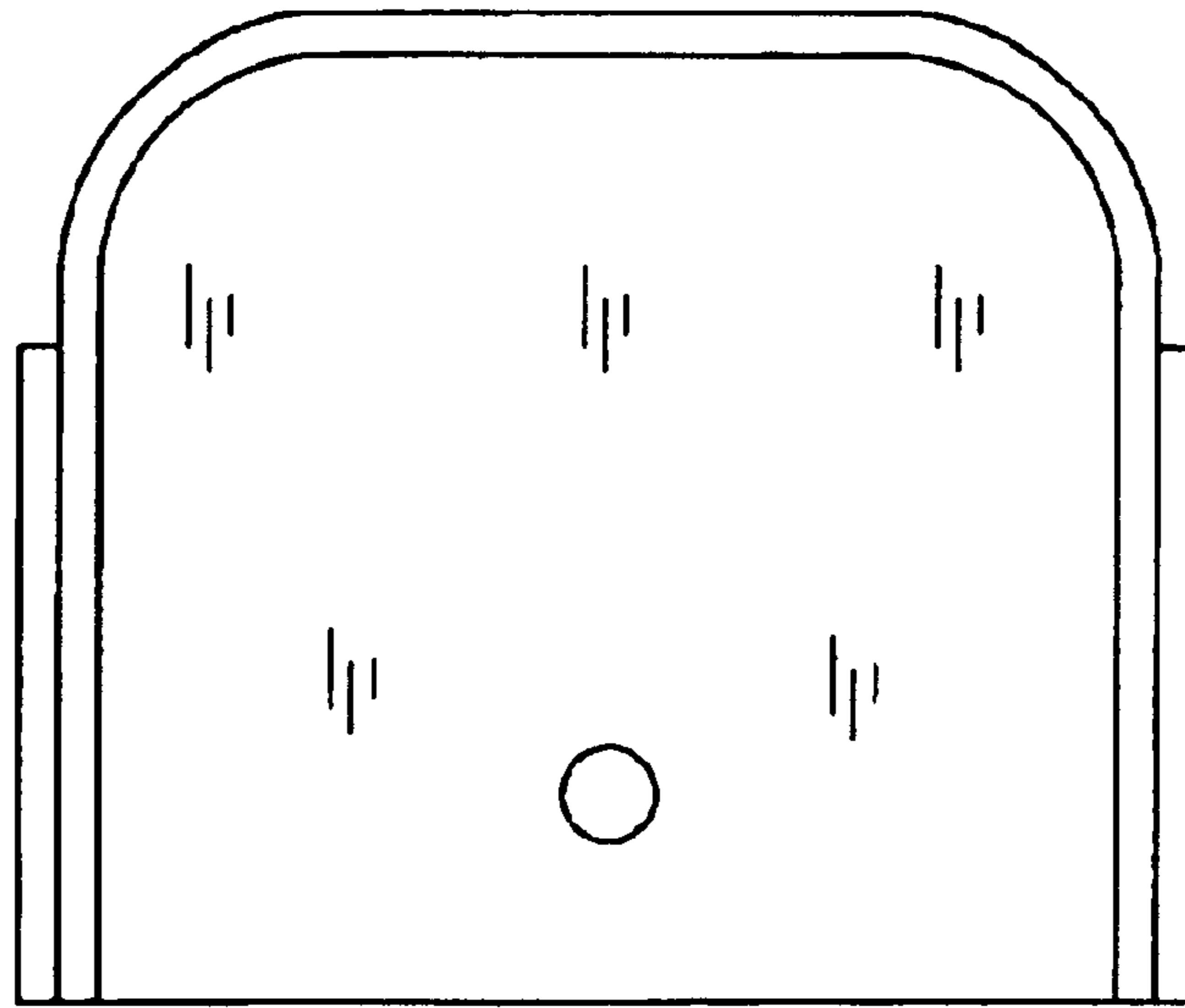


Fig. 5

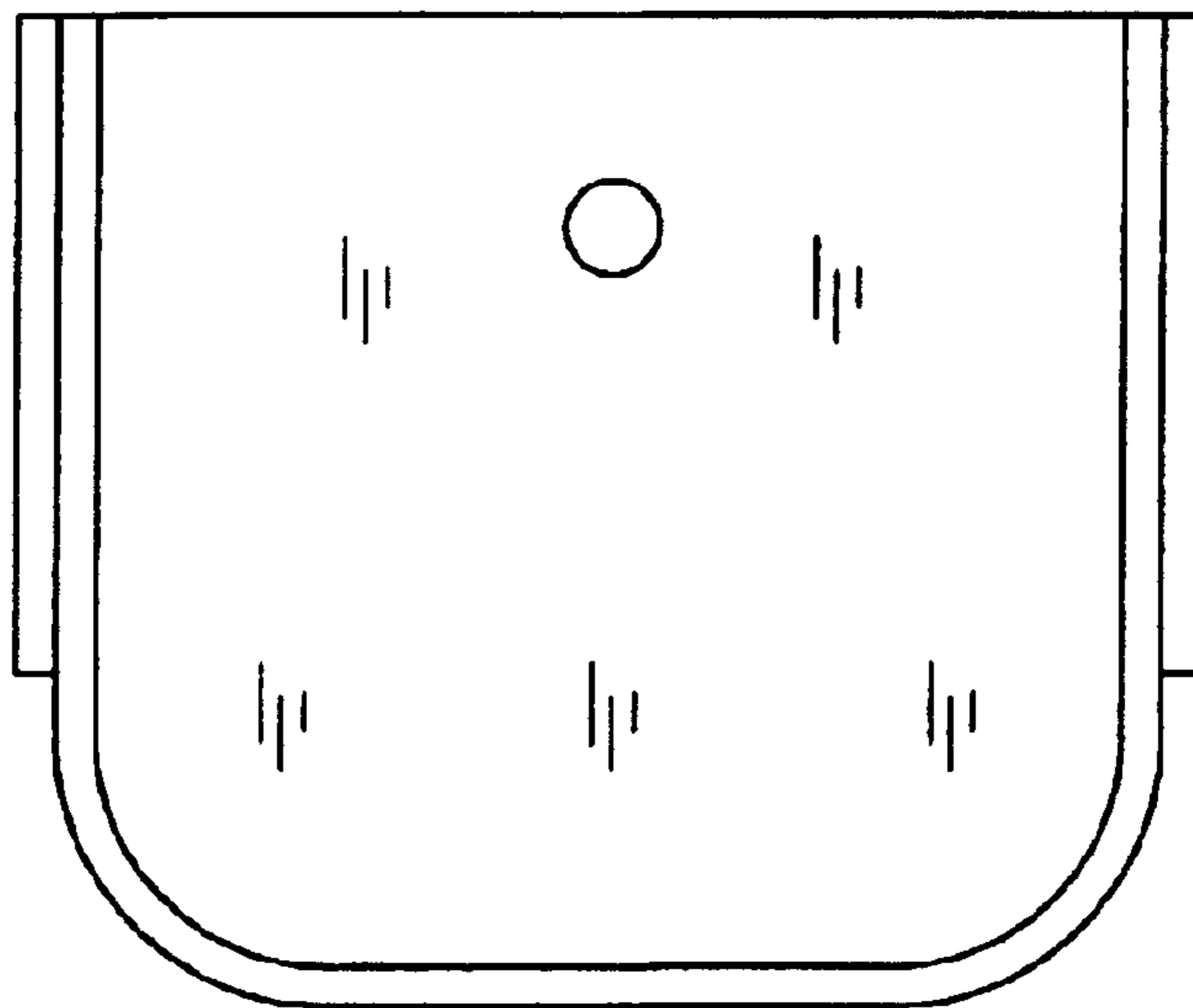


Fig. 6

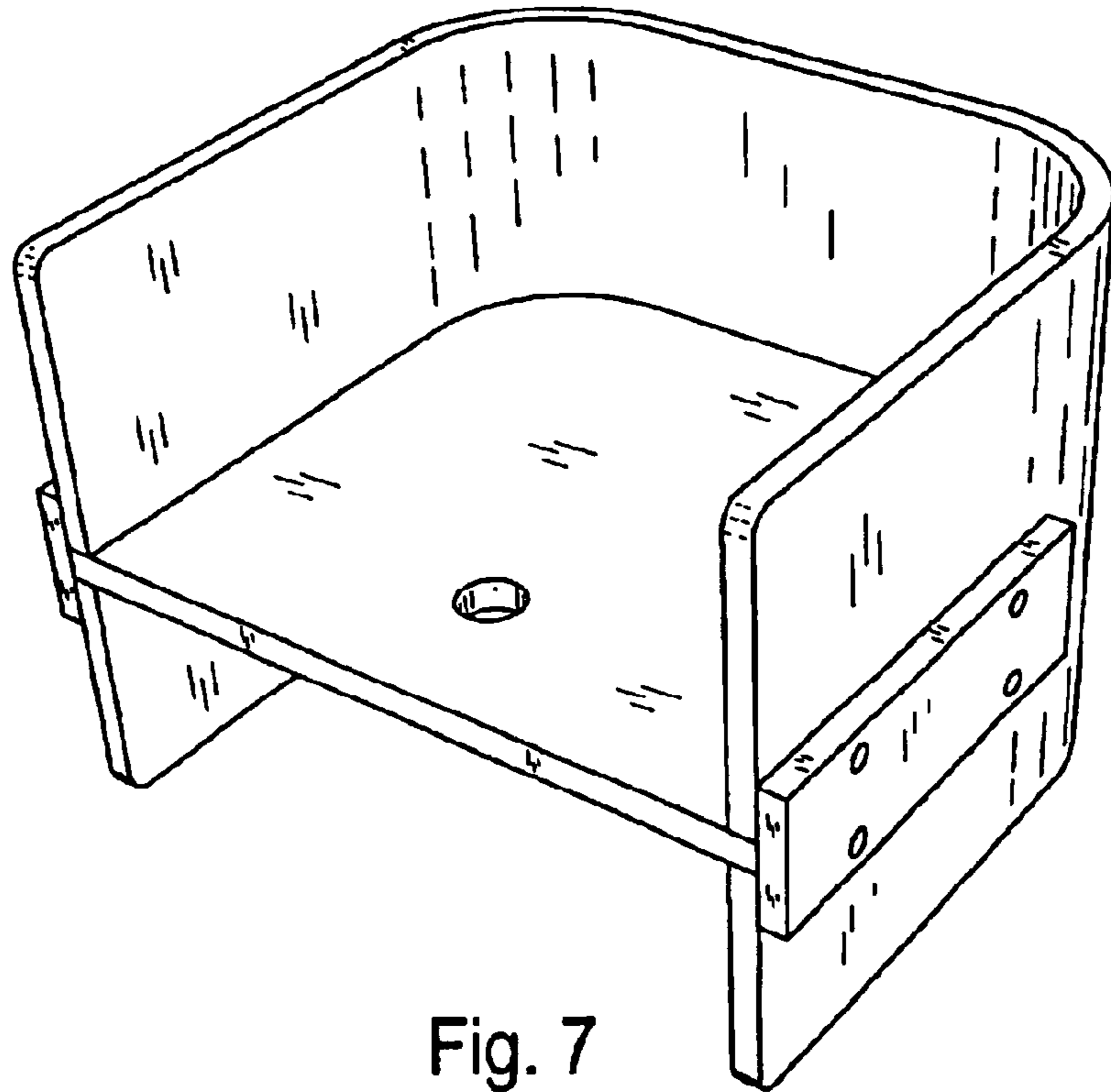


Fig. 7

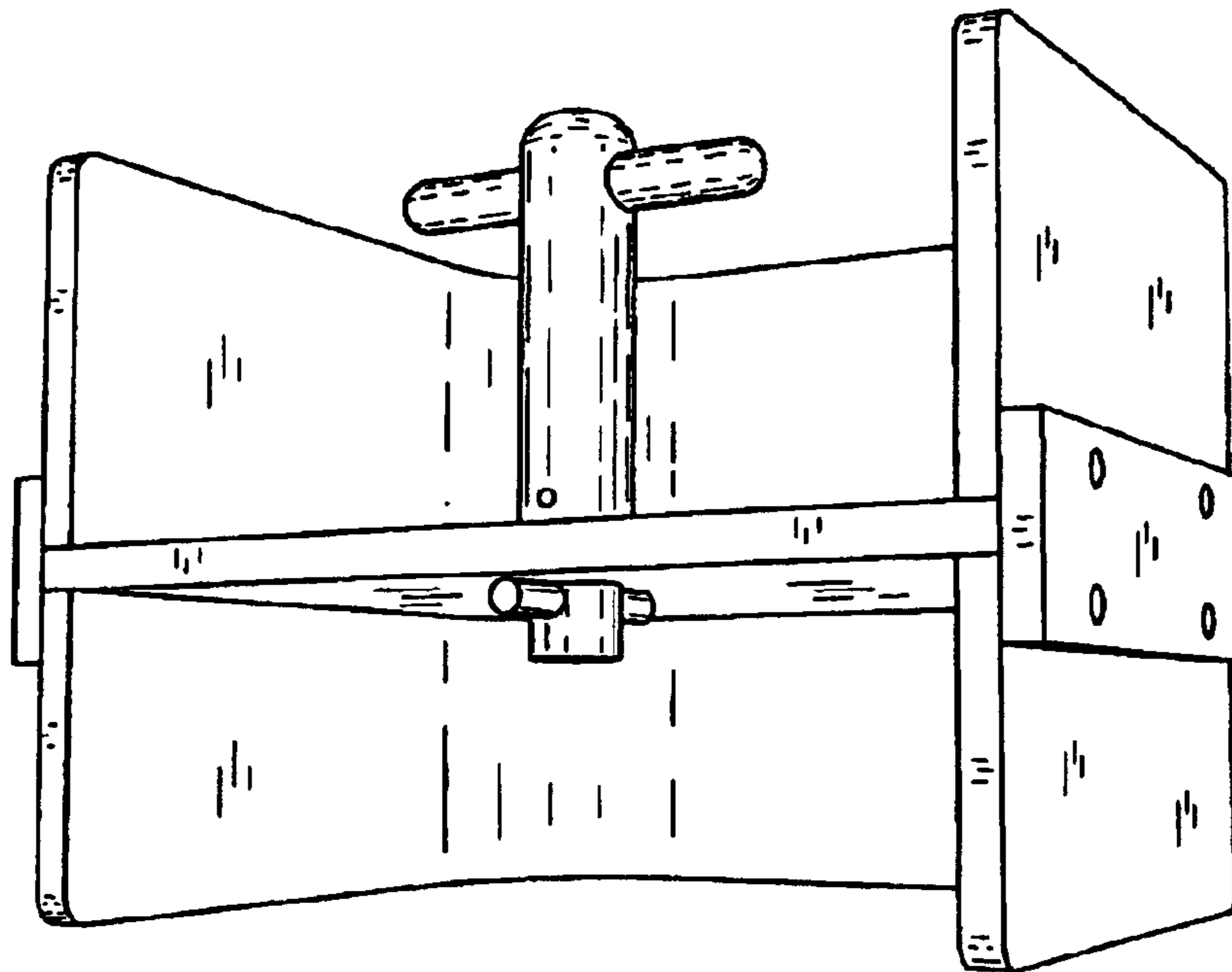


Fig. 8

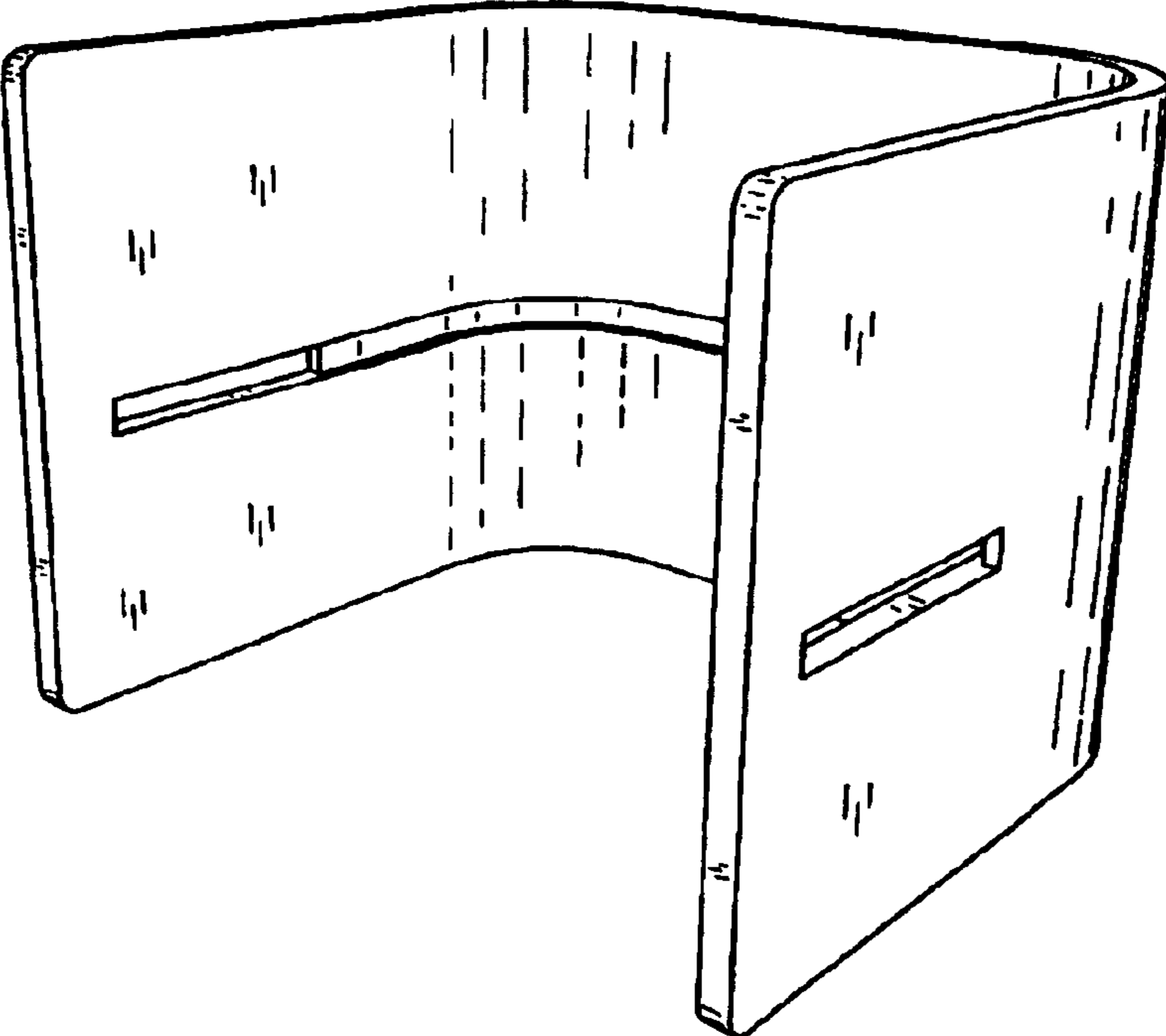


Fig. 9

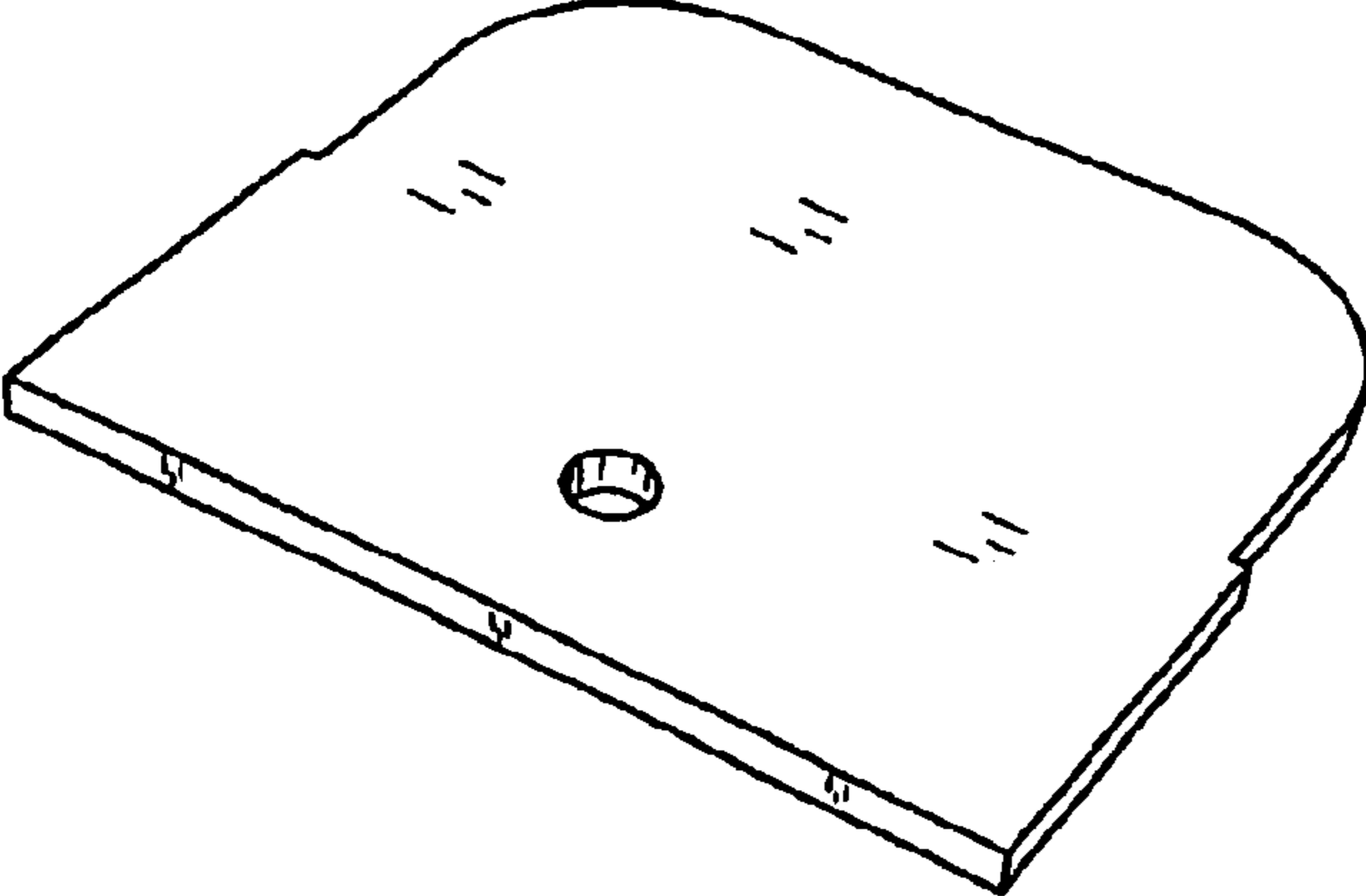


Fig. 10