

US00D496162S1

(12) **United States Design Patent**
Garrett et al.

(10) **Patent No.:** **US D496,162 S**

(45) **Date of Patent:** **** Sep. 21, 2004**

(54) **STORAGE CONTAINER**

(75) **Inventors:** **Stephen A. Garrett**, Vancouver, WA (US); **Shelton Louie**, Vancouver, WA (US); **Philip M. Krebs**, West Linn, OR (US)

(73) **Assignee:** **GSL Solutions, Inc.**, Vancouver, WA (US)

(**) **Term:** **14 Years**

(21) **Appl. No.:** **29/186,485**

(22) **Filed:** **Jul. 15, 2003**

(51) **LOC (7) Cl.** **03-01**

(52) **U.S. Cl.** **D3/304**

(58) **Field of Search** D3/304, 305, 308, D3/310, 311, 306, 307, 309, 312, 313, 314, 315, 901, 905; 206/513, 557, 503, 505, 203; 220/485, 491, 494, 676, 600, 675, 660, DIG. 12; D9/424-433

(56) **References Cited**

U.S. PATENT DOCUMENTS

D255,658 S * 7/1980 Dugan et al. D9/425
D264,791 S * 6/1982 Conti D7/586

D283,399 S * 4/1986 Forbes, Jr. D9/416
4,863,094 A * 9/1989 Morrow et al. 229/125.03
D319,130 S * 8/1991 Williams D3/312

* cited by examiner

Primary Examiner—Louis S. Zarfes

Assistant Examiner—Sally Shih

(74) *Attorney, Agent, or Firm*—Ipsolon LLP

(57) **CLAIM**

The ornamental design for a storage container, as shown and described.

DESCRIPTION

FIG. 1 is a front, right, perspective view of a storage container showing our design;

FIG. 2 is a back, left, perspective view thereof;

FIG. 3 is a top plan view thereof;

FIG. 4 is a bottom plan view thereof;

FIG. 5 is a left, side view thereof, the right side view being a mirror image of the left, side view;

FIG. 6 is a front view thereof; and,

FIG. 7 is a back view thereof.

The broken lines showing mounting portions, openings, recesses, and auxiliary engaging structures are for illustrative purpose only and form no part of the claimed design.

1 Claim, 3 Drawing Sheets

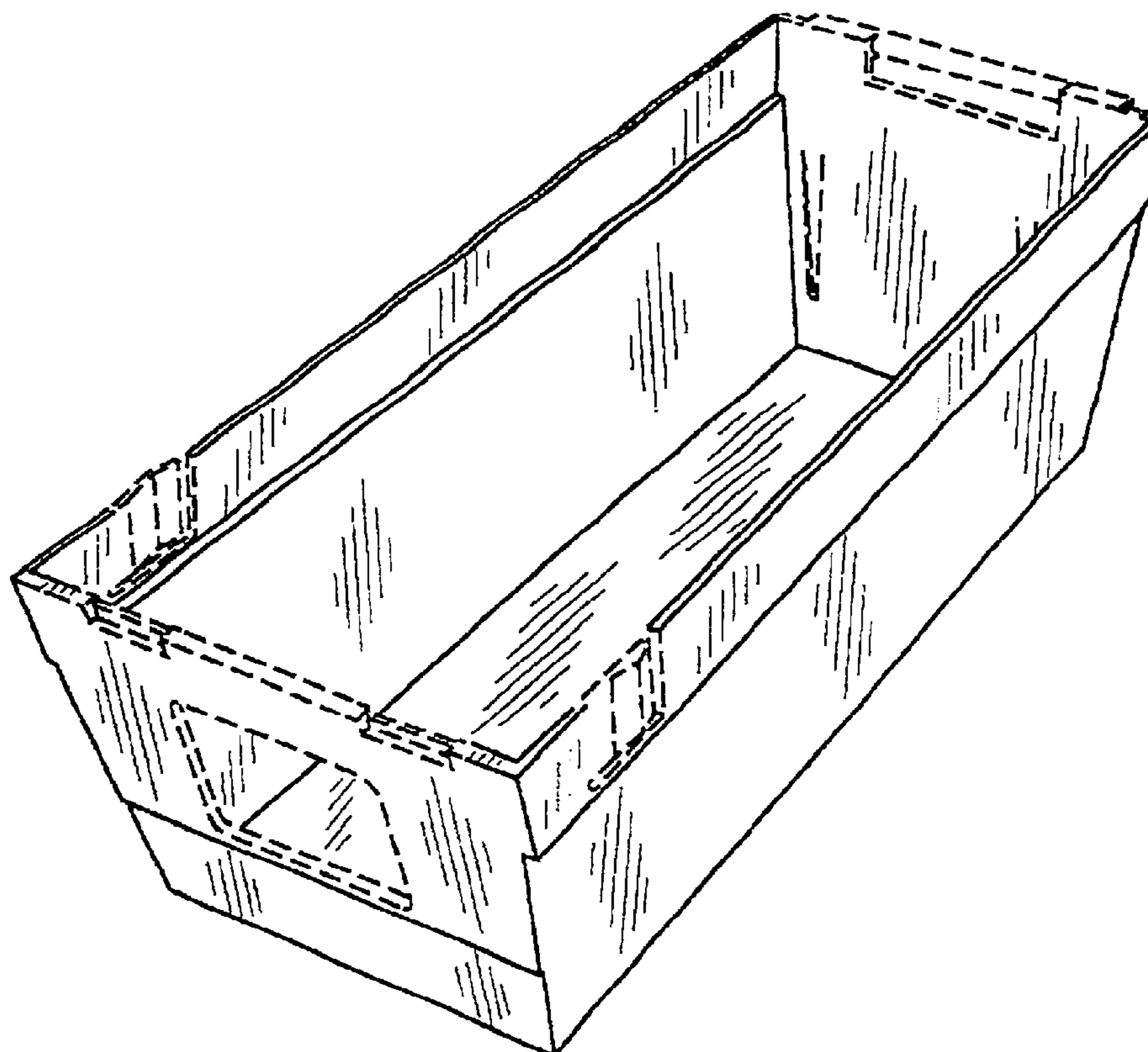


FIG. 1

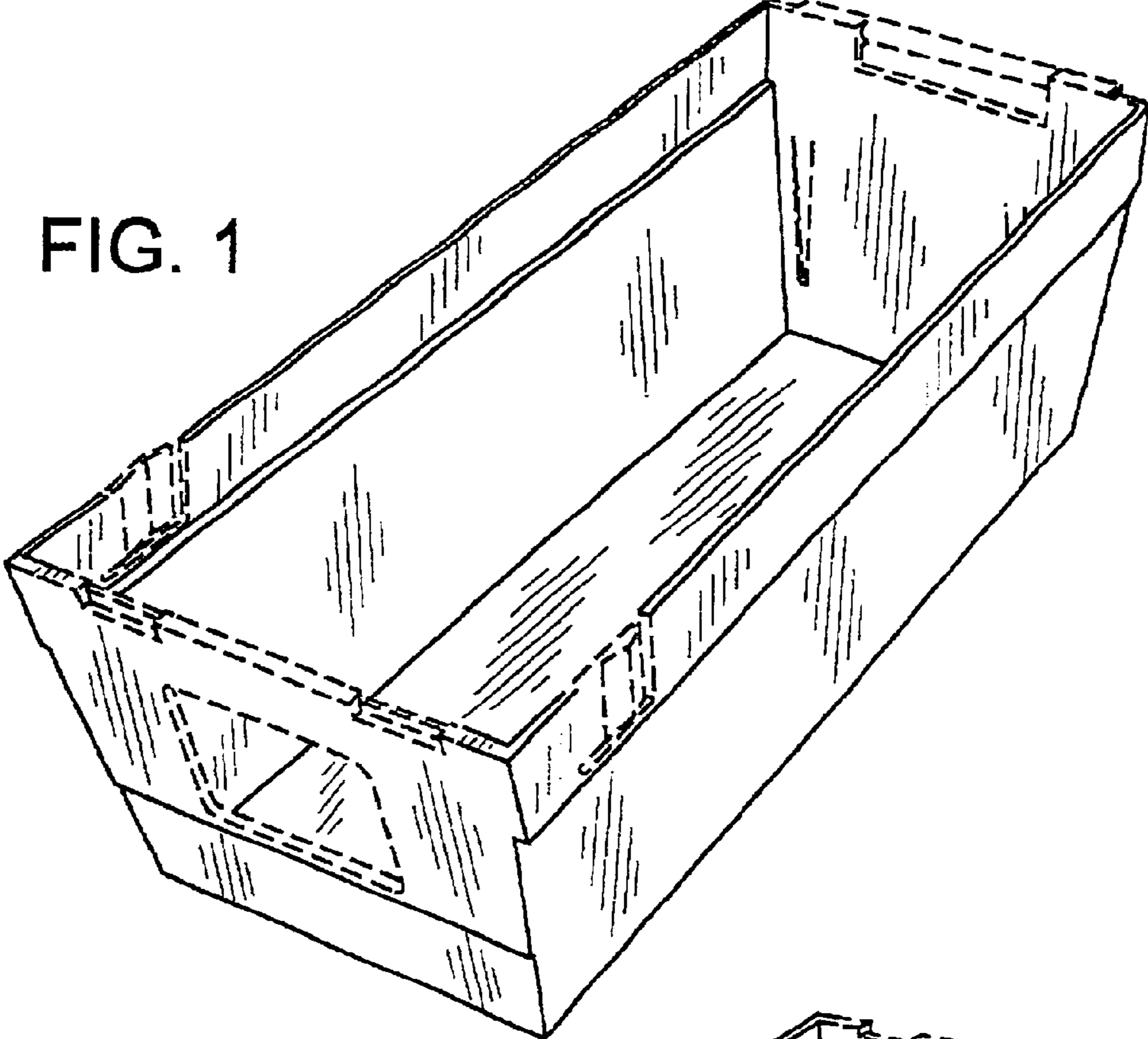


FIG. 2

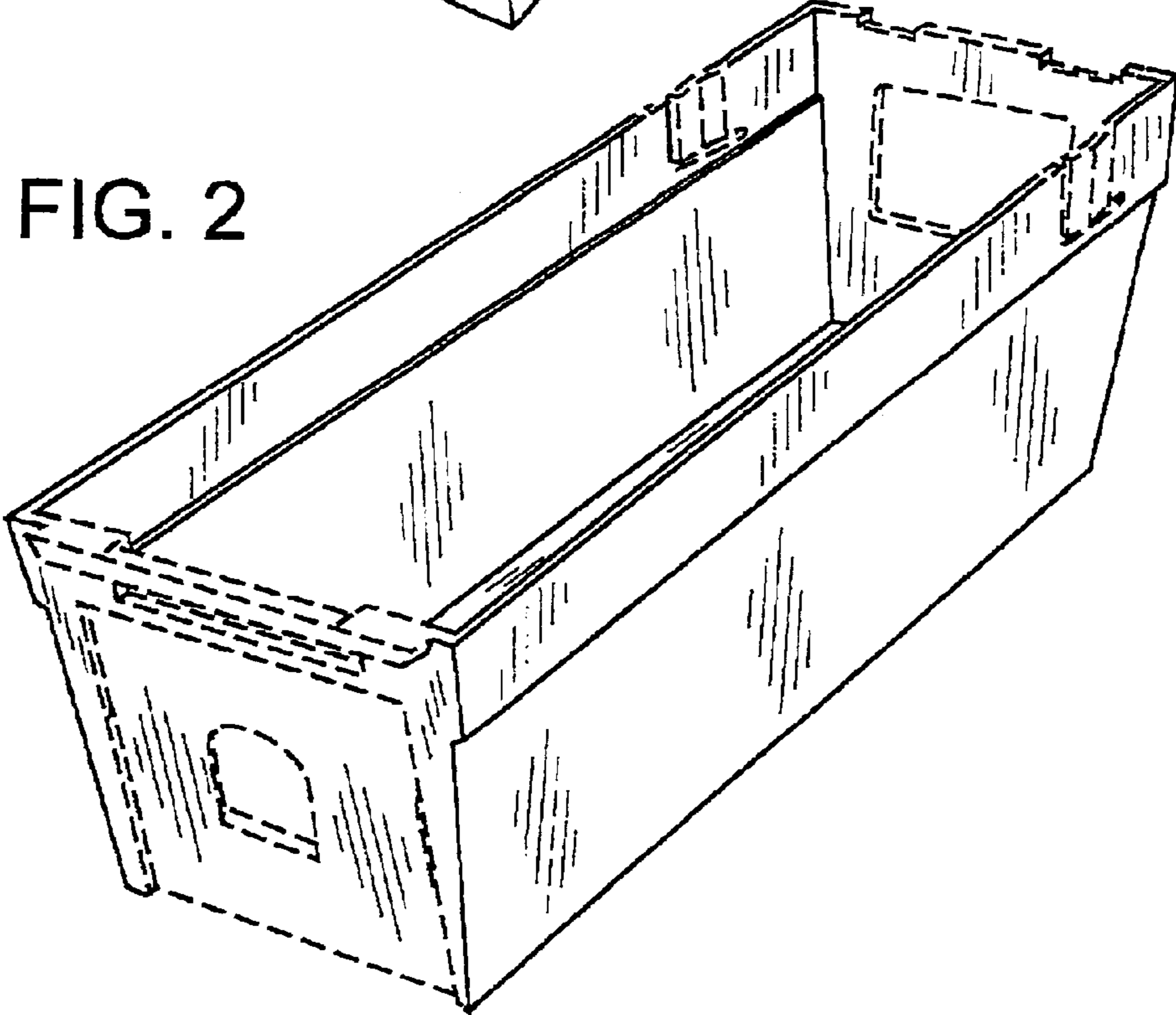


FIG. 3

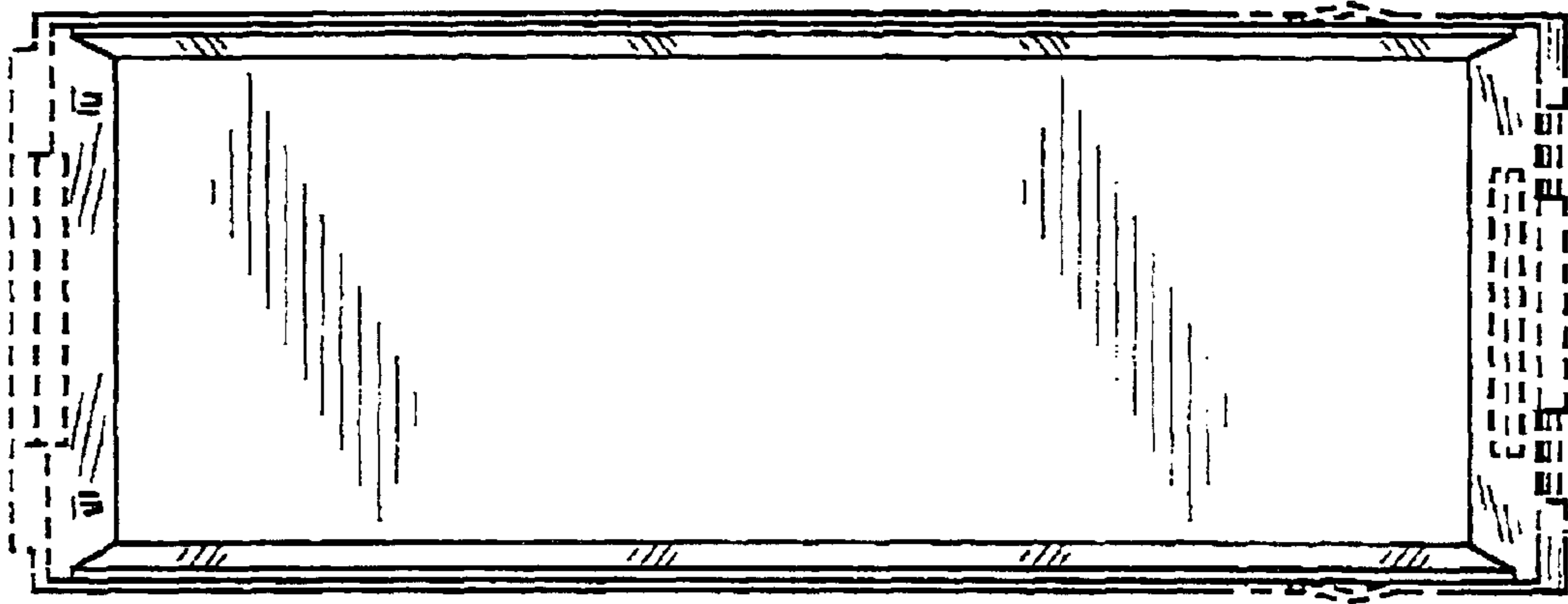


FIG. 4

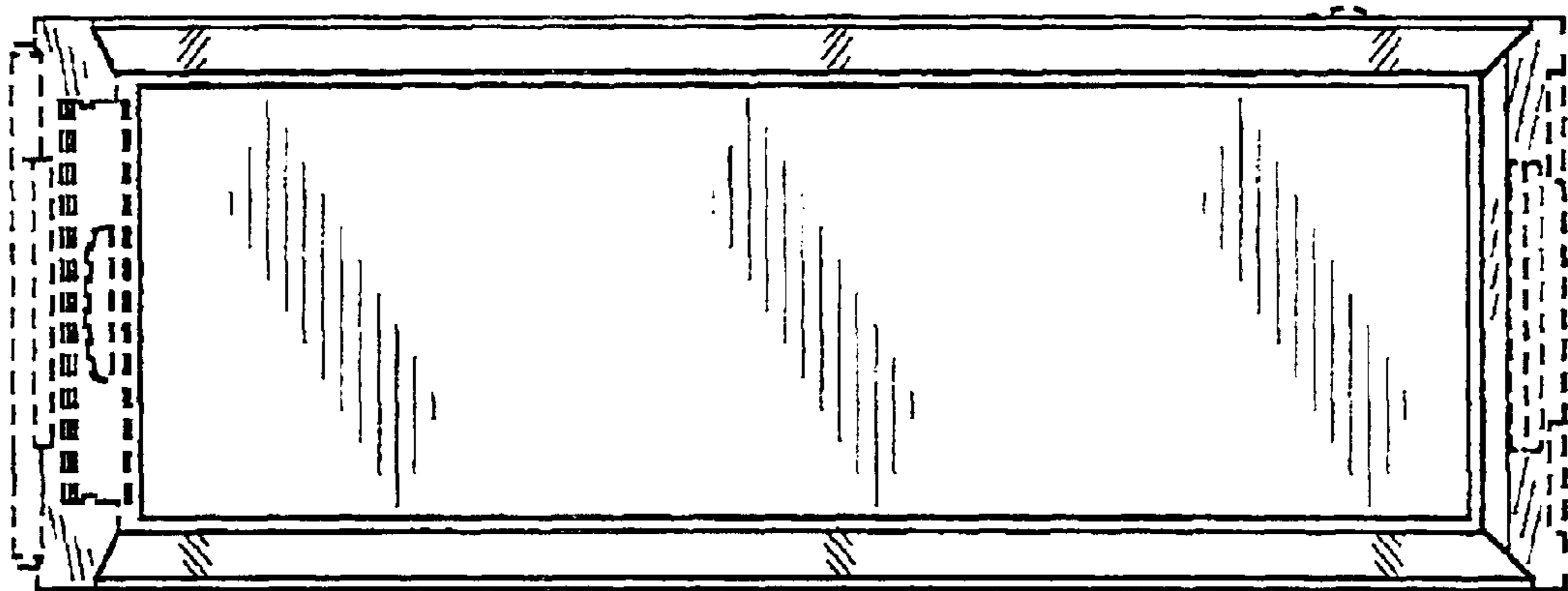


FIG. 5

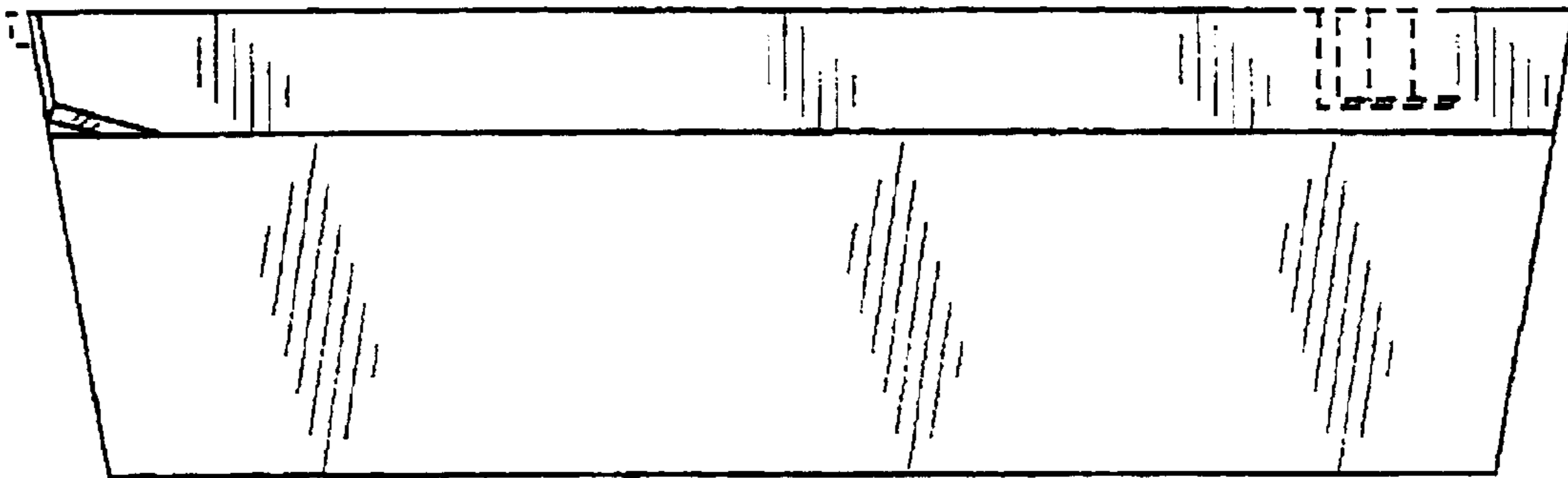


FIG. 6

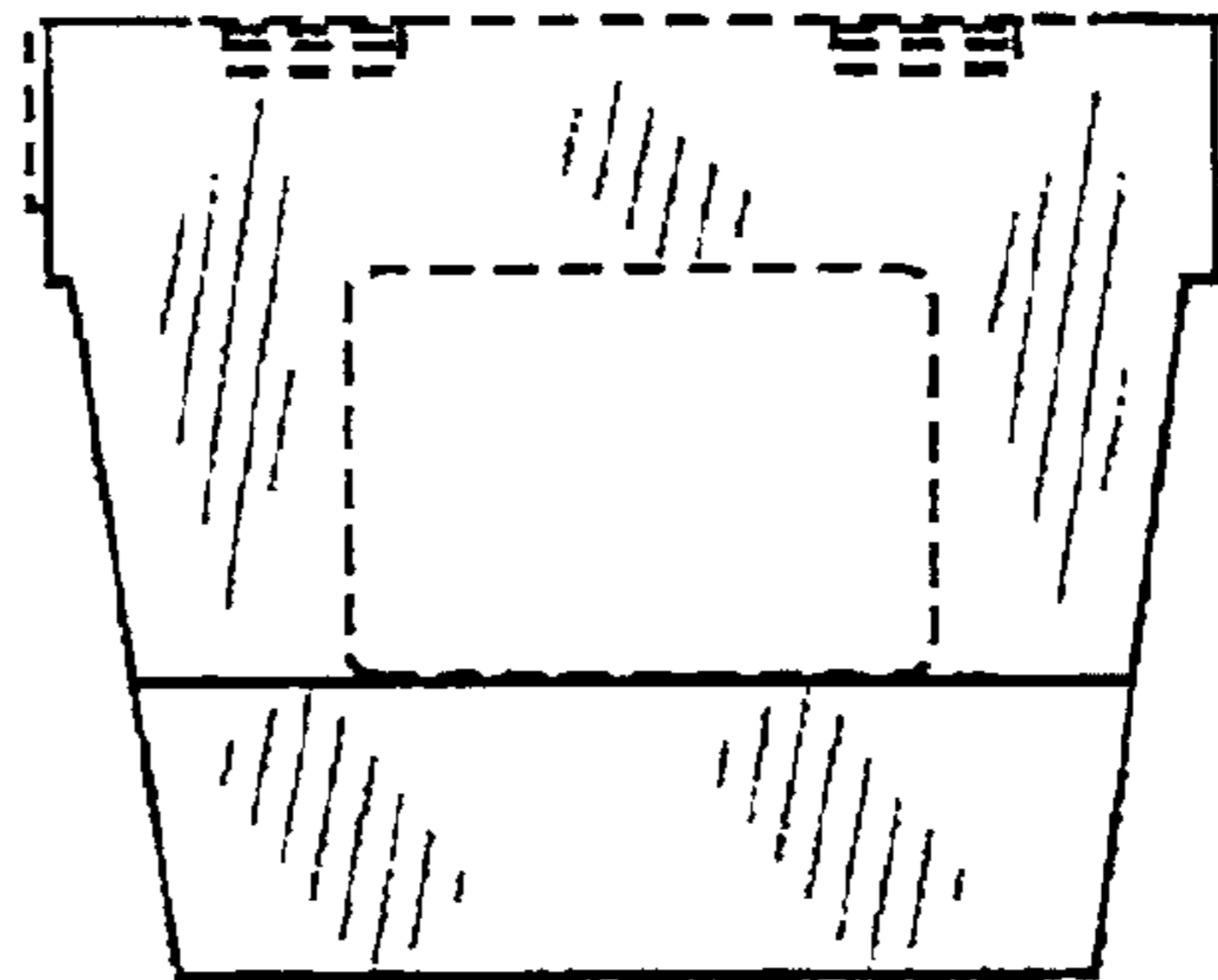


FIG. 7

