

US00D496161S1

(12) **United States Design Patent** (10) **Patent No.:** **US D496,161 S**
Rösler (45) **Date of Patent:** **** Sep. 21, 2004**

(54) **CASE**
 (76) **Inventor:** **Peter Rösler**, Ifenweg 3, D-88239 Wangen (DE)
 (**) **Term:** **14 Years**

D421,182 S * 2/2000 Lee D3/276
 D421,333 S * 3/2000 Lee D3/276
 D421,525 S * 3/2000 Lee D3/276
 D435,725 S * 1/2001 Budert D3/276
 D443,136 S * 6/2001 Fusi D3/276
 D453,267 S * 2/2002 Beedham D3/276

(21) **Appl. No.:** **29/189,572**
 (22) **Filed:** **Sep. 8, 2003**
 (30) **Foreign Application Priority Data**
 Mar. 10, 2003 (DE) 403 01 971
 (51) **LOC (7) Cl.** **03-01**
 (52) **U.S. Cl.** **D3/281; D3/294; D3/900; D3/273**
 (58) **Field of Search** **D3/273, 276, 281, D3/291, 294, 295; 190/100, 115, 900; 206/349, 373**

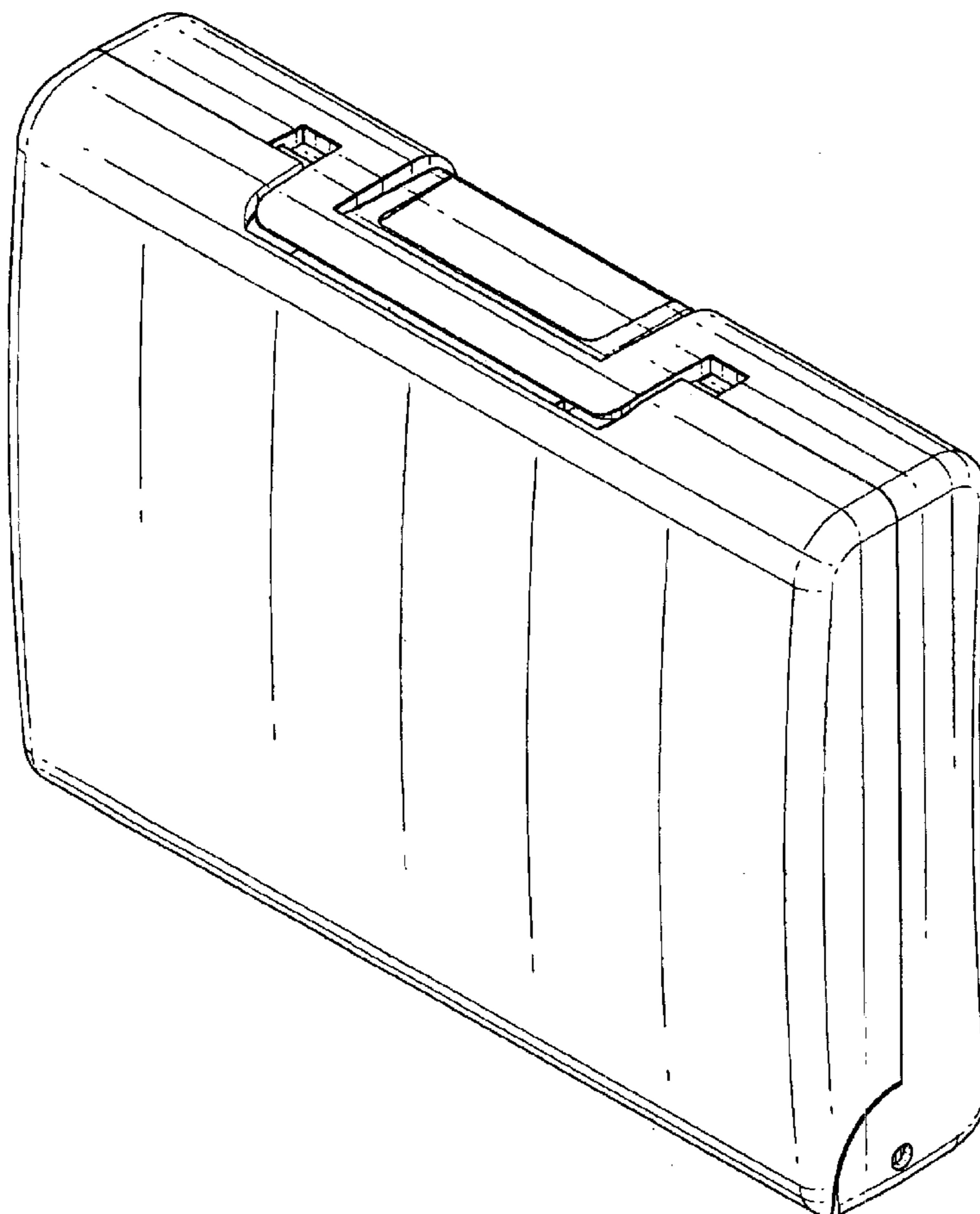
* cited by examiner
Primary Examiner—Philip S. Hyder
 (74) *Attorney, Agent, or Firm*—Cohen & Grigsby, P.C.

(57) **CLAIM**
 The ornamental design for a case, as shown.

(56) **References Cited**
U.S. PATENT DOCUMENTS
 D278,861 S * 5/1985 Hasuike D3/292
 D286,231 S * 10/1986 Werk D3/281
 D300,988 S * 5/1989 Melk D3/282
 D325,819 S * 5/1992 Lee D3/281

DESCRIPTION
 FIG. 1 is an isometric view of the case showing my new design.
 FIG. 2 is a front view of the case showing my new design.
 FIG. 3 is a back view of the case showing my new design.
 FIG. 4 is a top view of the case showing my new design.
 FIG. 5 is a bottom view of the case showing my new design.
 FIG. 6 is a right side view of the case showing my new design; and,
 FIG. 7 is a left side view of the case showing my new design.

1 Claim, 4 Drawing Sheets



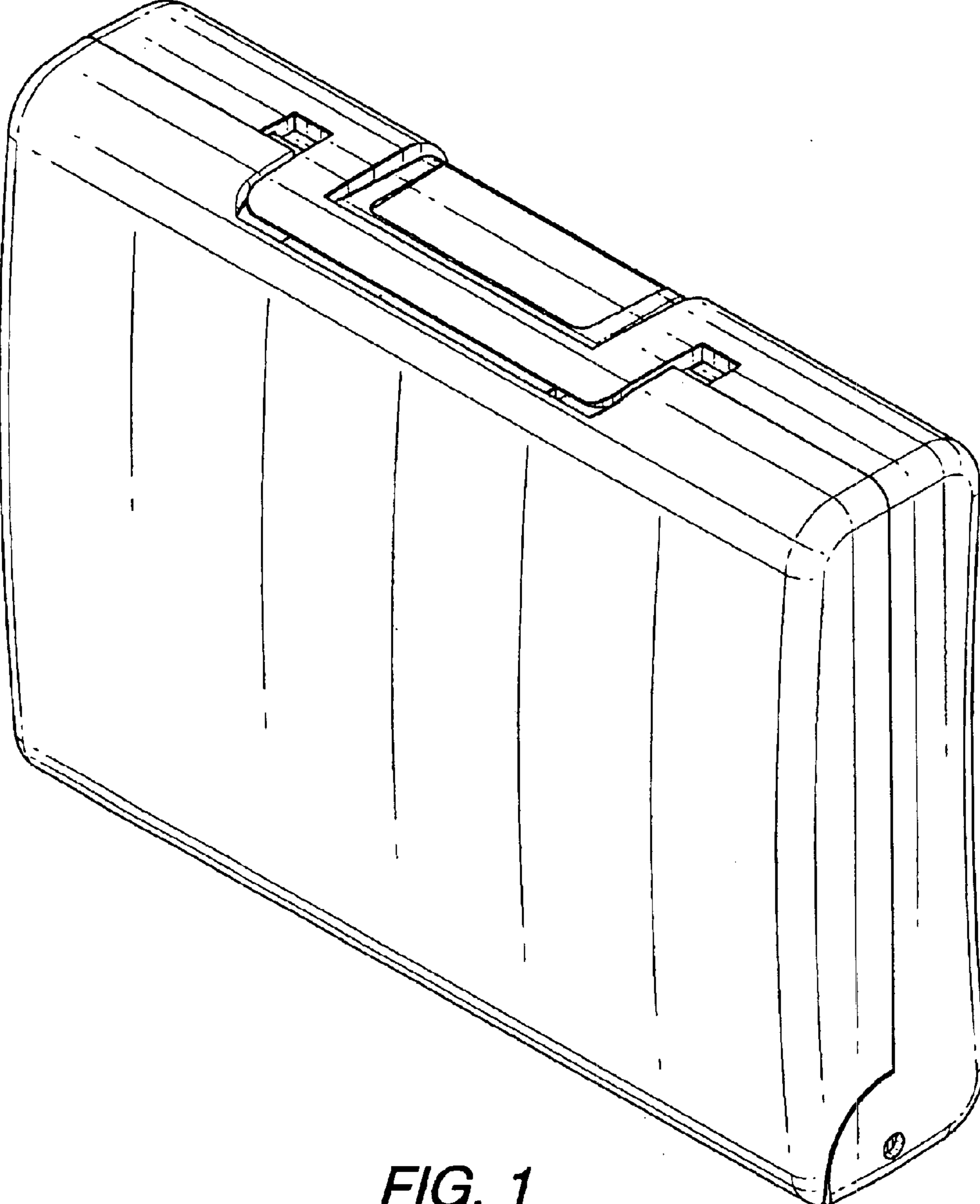


FIG. 1

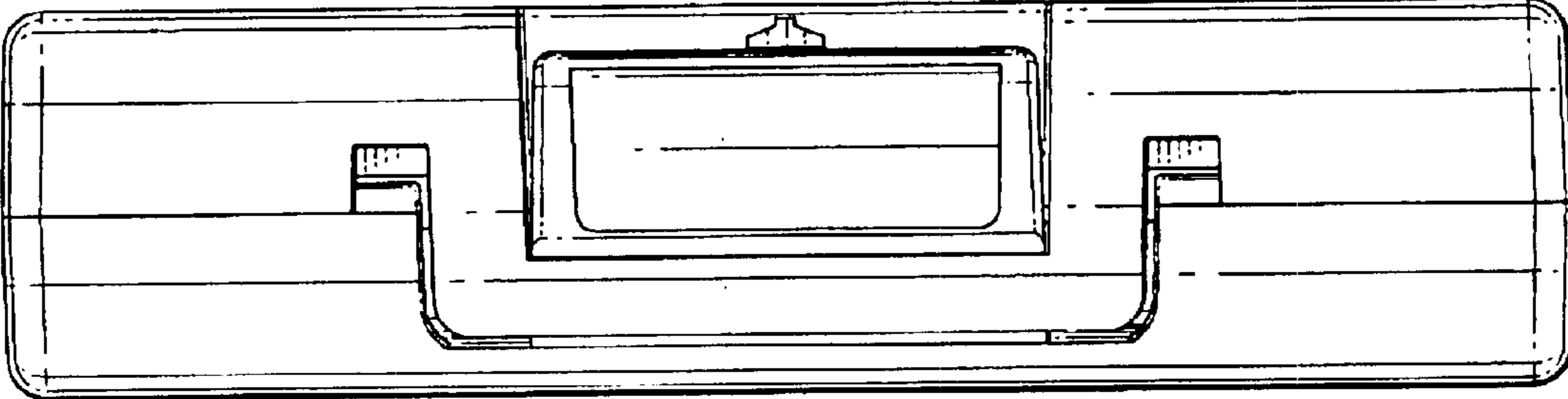


FIG. 4

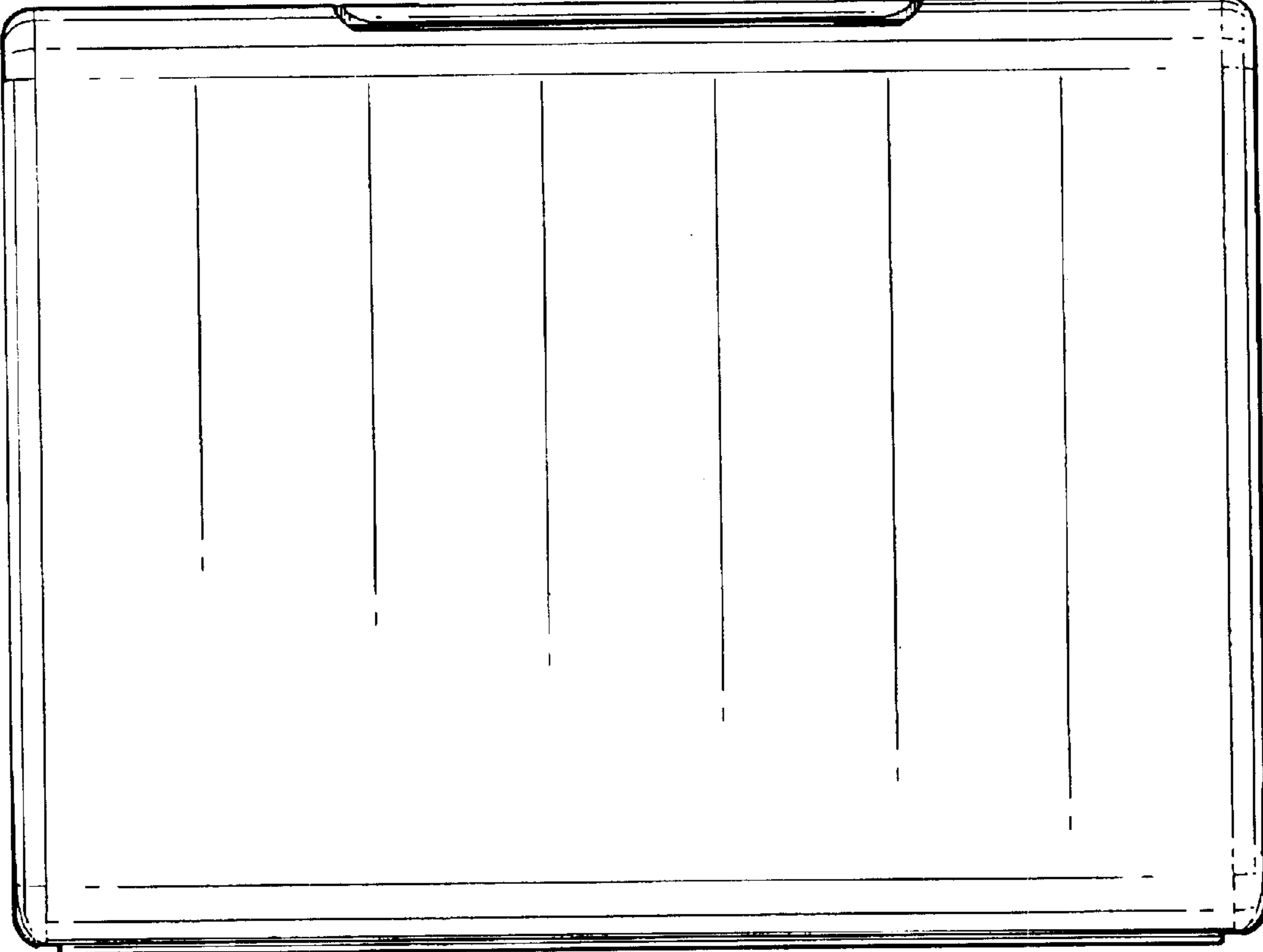


FIG. 2

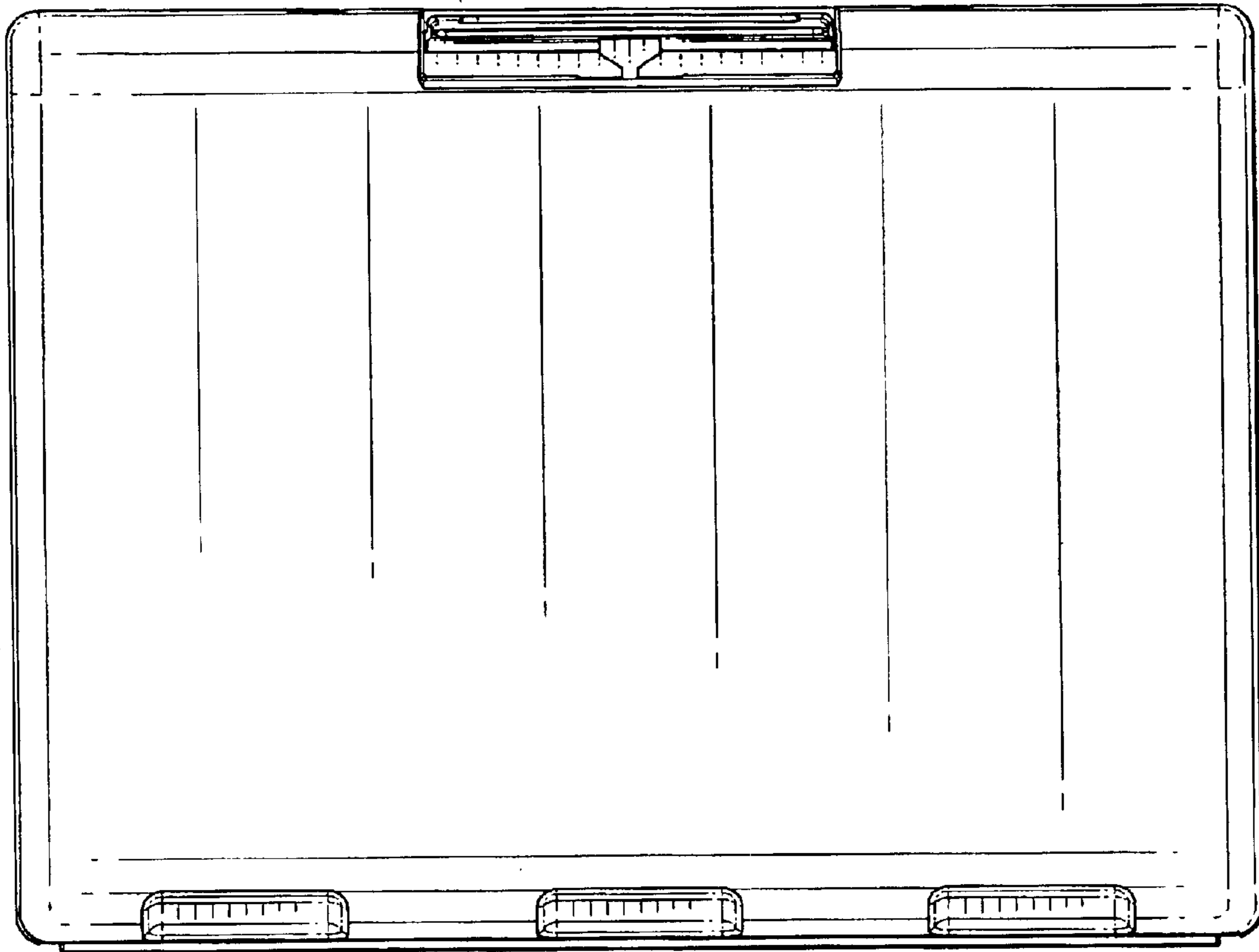


FIG. 3

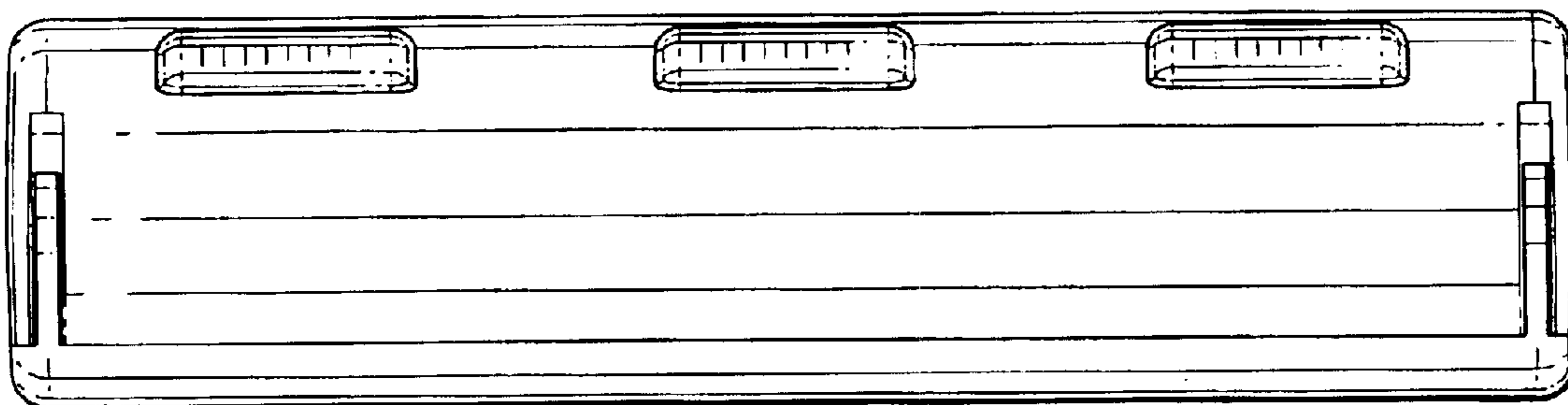


FIG. 5

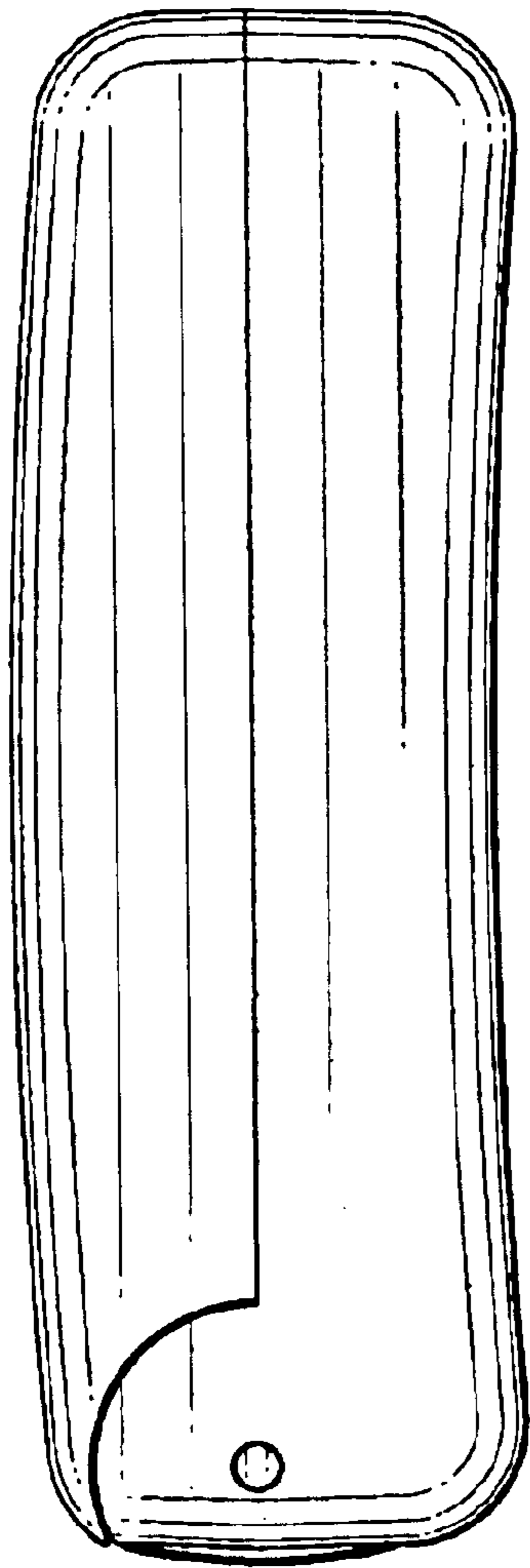


FIG. 6

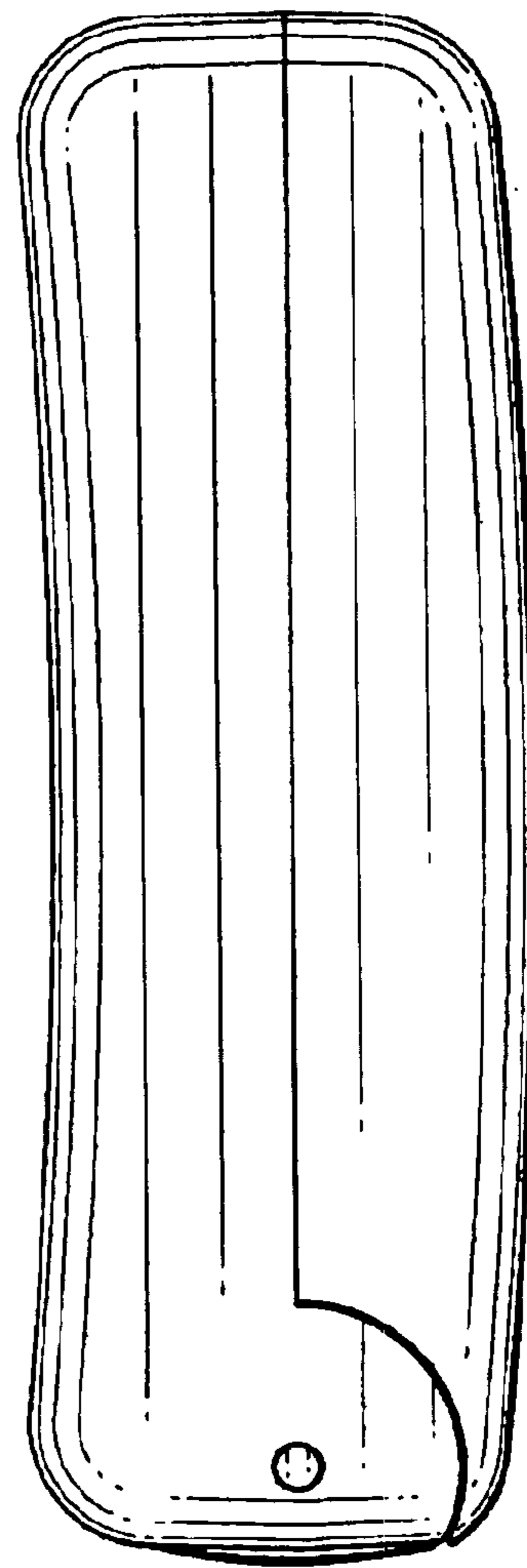


FIG. 7