

US00D496160S1

(12) **United States Design Patent**
Rösler

(10) **Patent No.: US D496,160 S**
(45) **Date of Patent: ** Sep. 21, 2004**

(54) **CASE**
(76) **Inventor: Peter Rösler, Ifenweg 3, D-88239 Wangen (DE)**
(**) **Term: 14 Years**

D421,182 S * 2/2000 Lee D3/276
D421,333 S * 3/2000 Lee D3/276
D421,525 S * 3/2000 Lee D3/276
D435,725 S * 1/2001 Budert D3/276
D443,136 S * 6/2001 Fusi D3/276
D453,267 S * 2/2002 Beedham D3/276

* cited by examiner

(21) **Appl. No.: 29/189,571**
(22) **Filed: Sep. 8, 2003**

Primary Examiner—Philip S. Hyder
(74) *Attorney, Agent, or Firm*—Cohen & Grigsby, P.C.

(30) **Foreign Application Priority Data**

Mar. 10, 2003 (DE) 403 01 971

(57) **CLAIM**

The ornamental design for a case, as shown.

(51) **LOC (7) Cl. 03-01**
(52) **U.S. Cl. D3/281; D3/294; D3/900; D3/273**
(58) **Field of Search D3/273, 276, 281, D3/291, 294, 295; 190/100, 115, 900; 206/349, 373**

DESCRIPTION

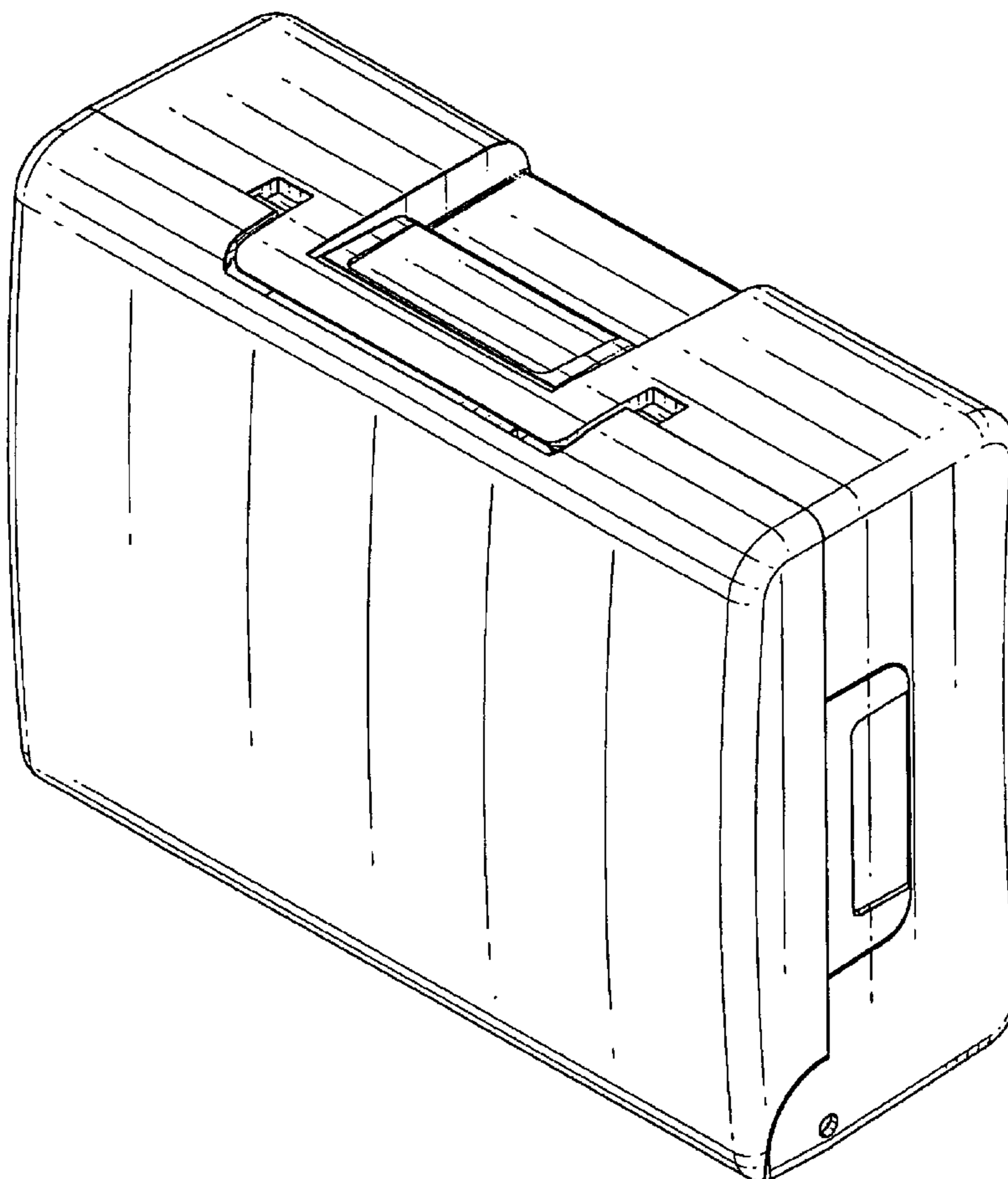
FIG. 1 is an isometric view of the case showing my new design.
FIG. 2 is a front view of the case showing my new design.
FIG. 3 is a back view of the case showing my new design.
FIG. 4 is a top view of the case showing my new design.
FIG. 5 is a bottom view of the case showing my new design.
FIG. 6 is a right side view of the case showing my new design; and,
FIG. 7 is a left side view of the case showing my new design.

(56) **References Cited**

U.S. PATENT DOCUMENTS

D278,861 S * 5/1985 Hasuike D3/292
D286,231 S * 10/1986 Werk D3/281
D300,988 S * 5/1989 Melk D3/282
D325,819 S * 5/1992 Lee D3/281

1 Claim, 4 Drawing Sheets



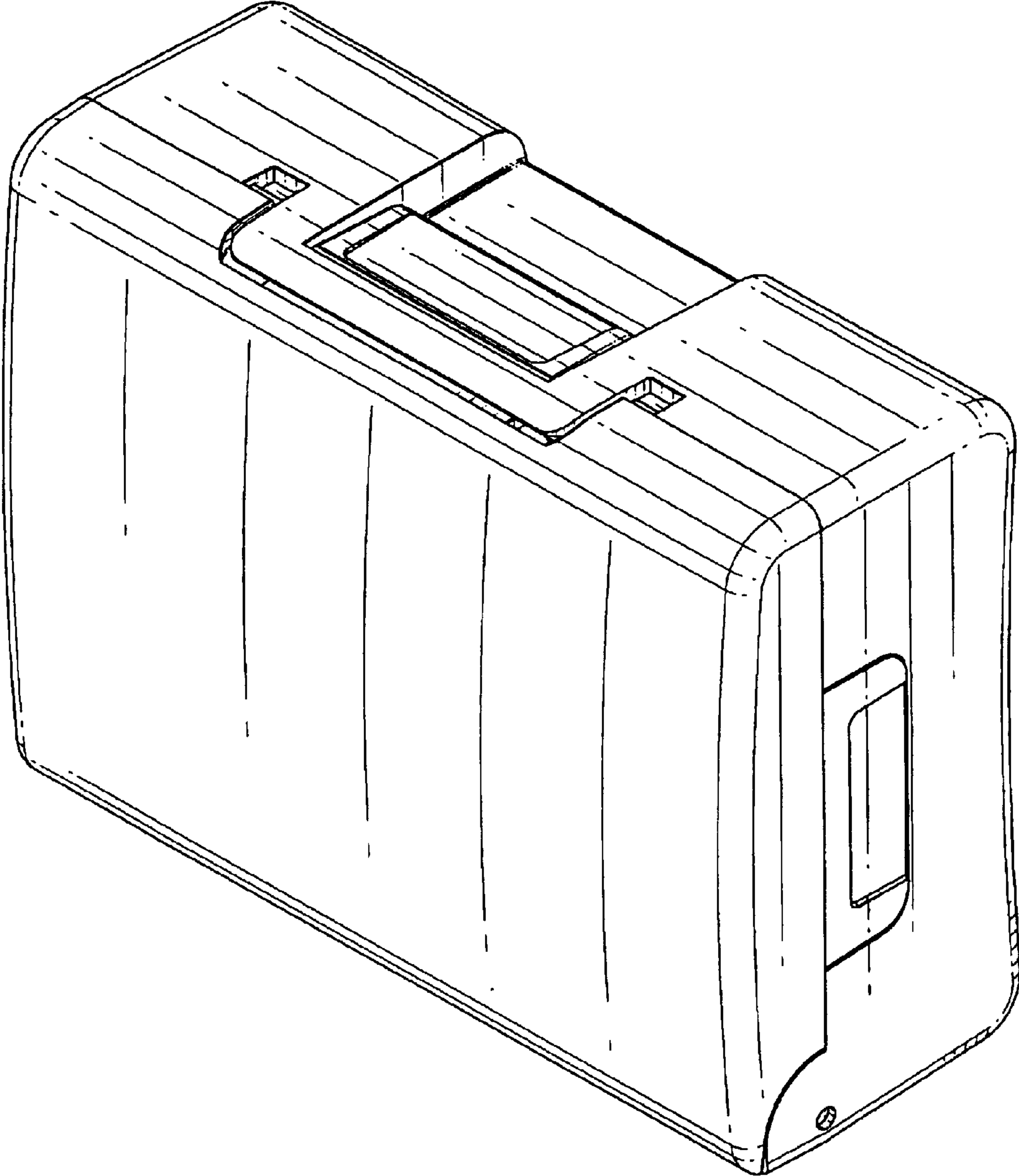


FIG. 1

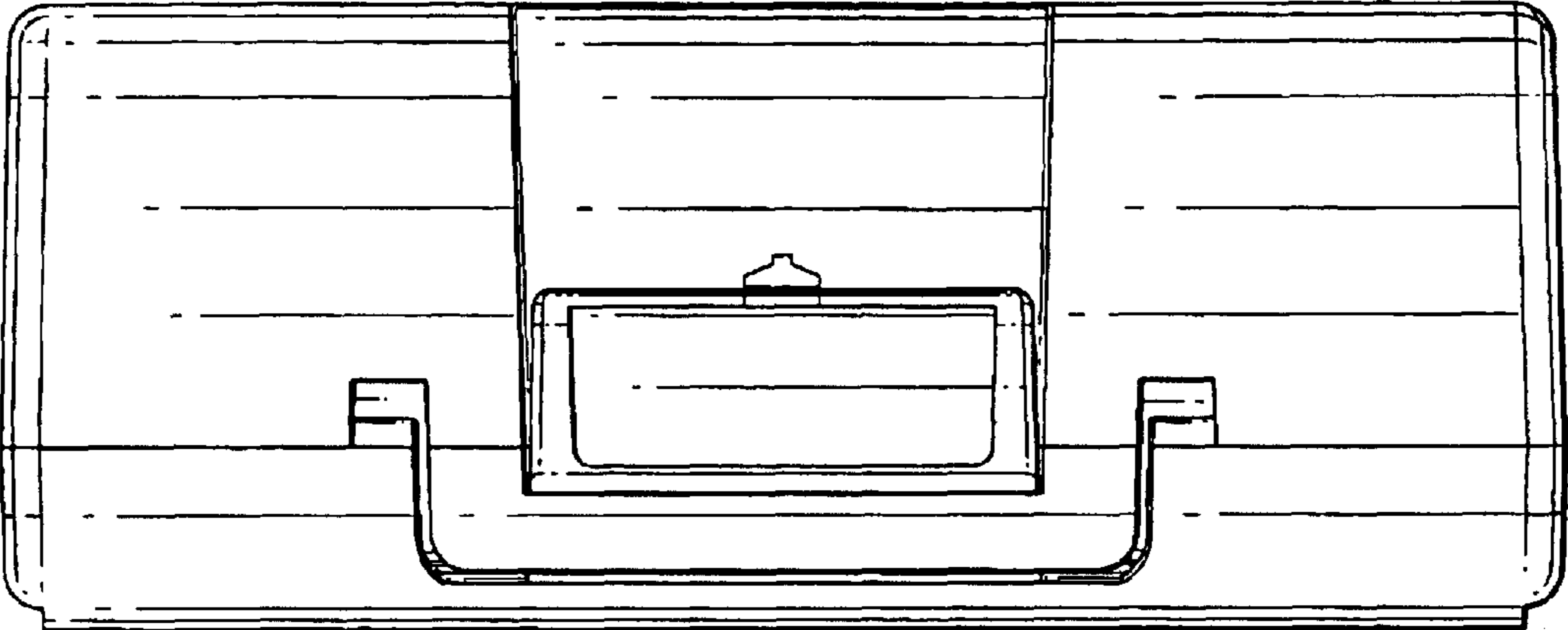


FIG. 4

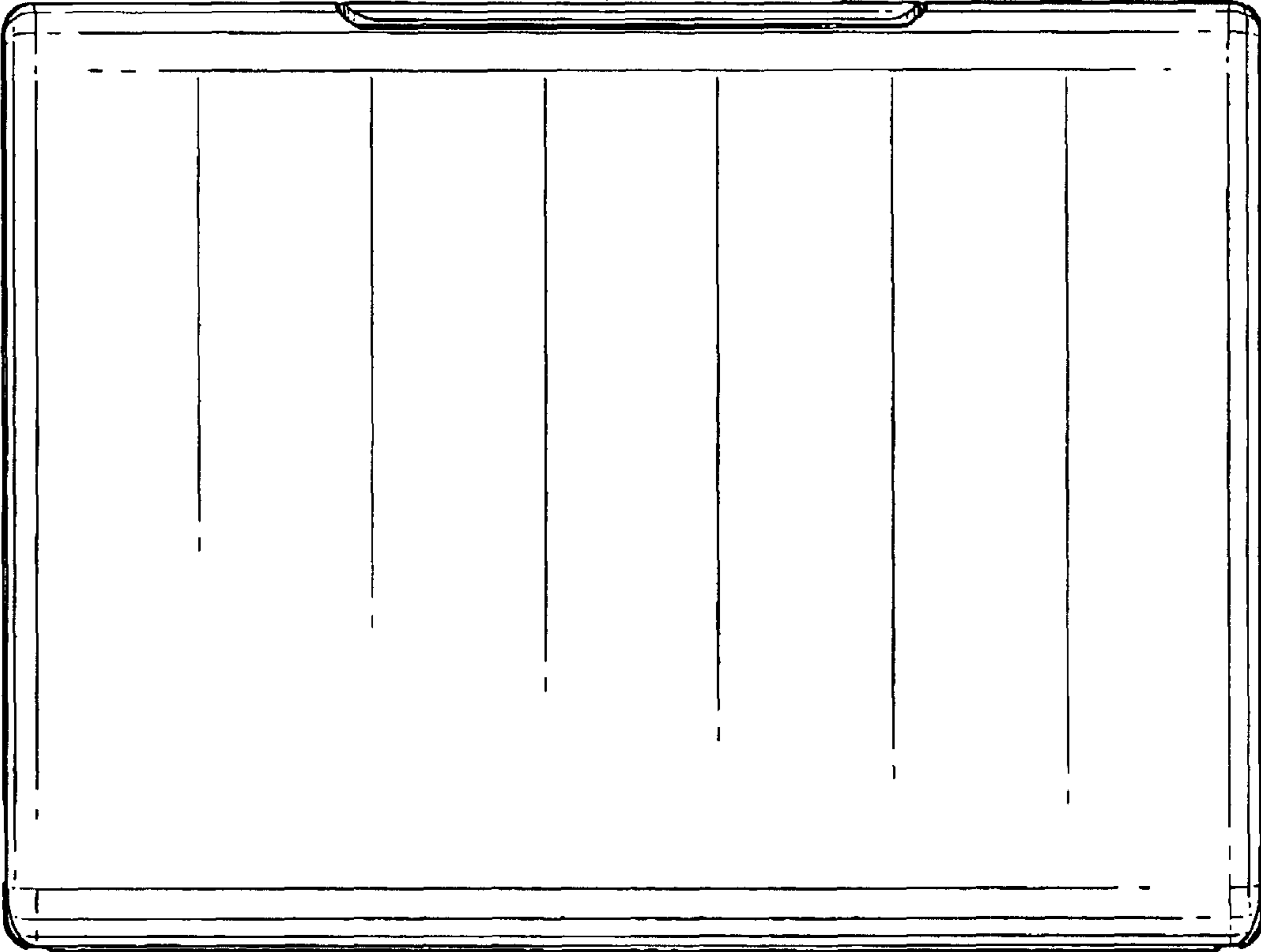


FIG. 2

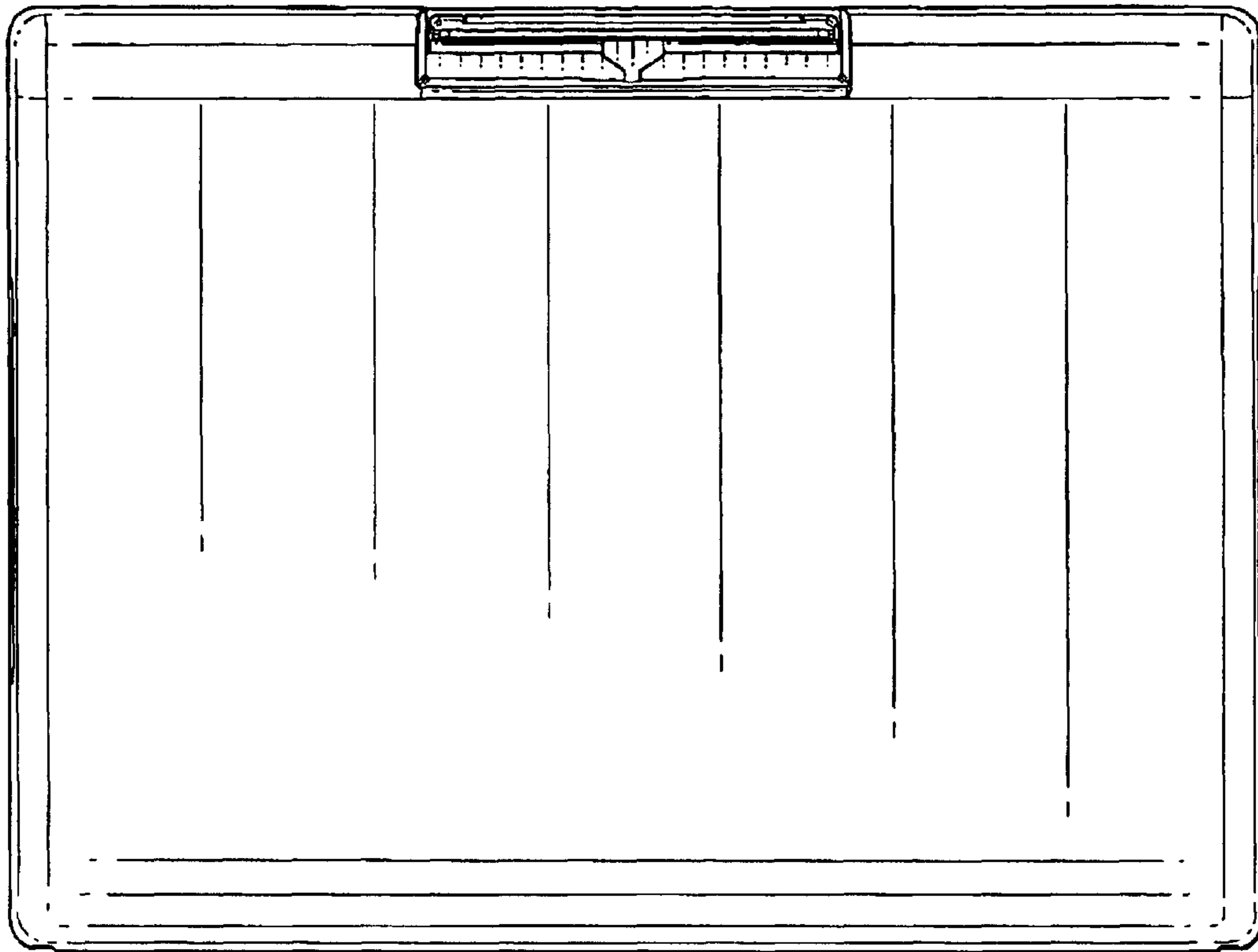


FIG. 3

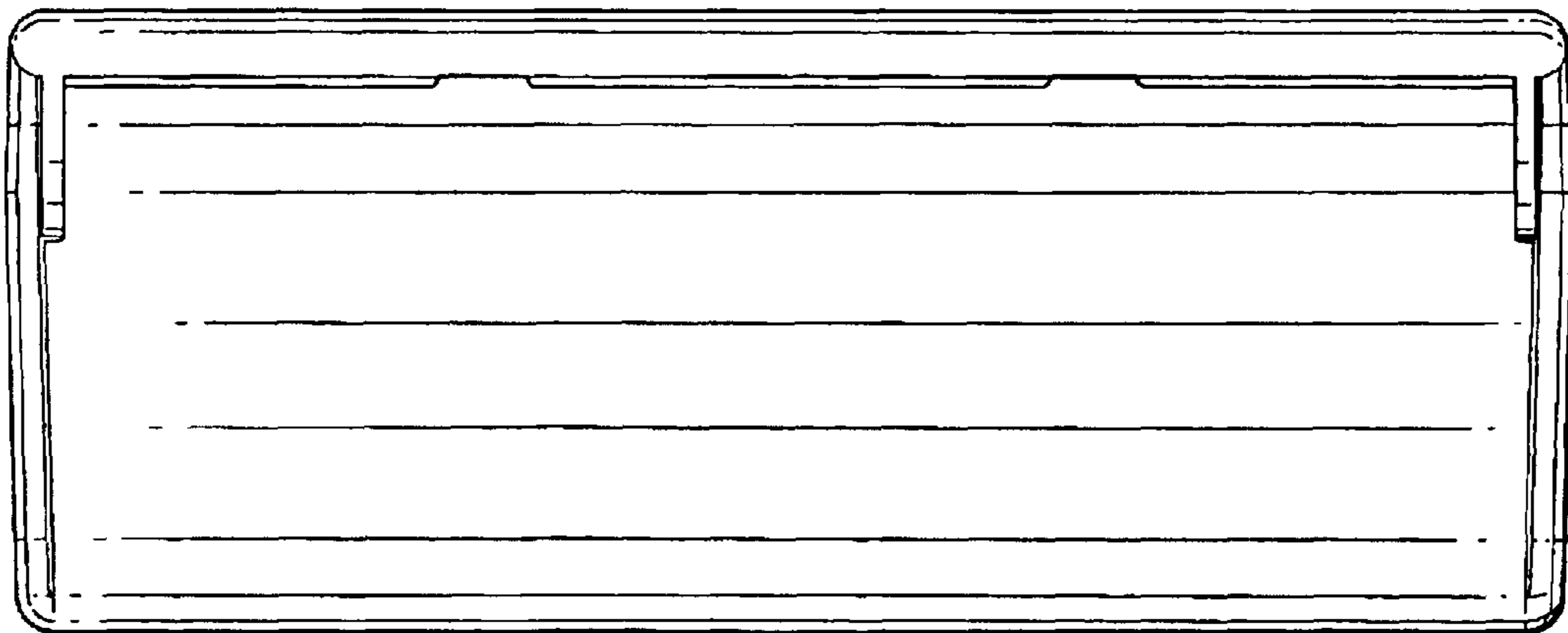


FIG. 5

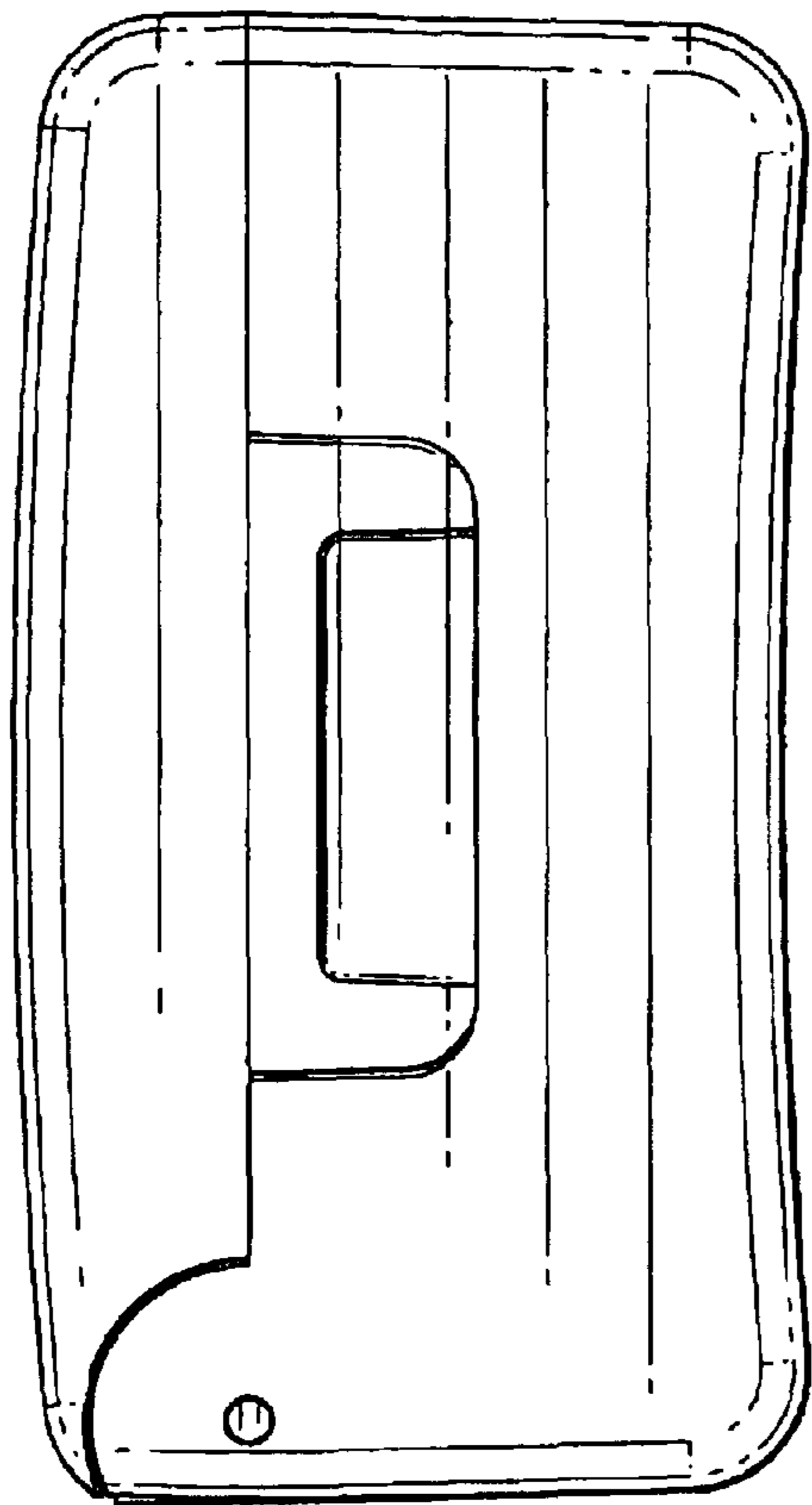


FIG. 6

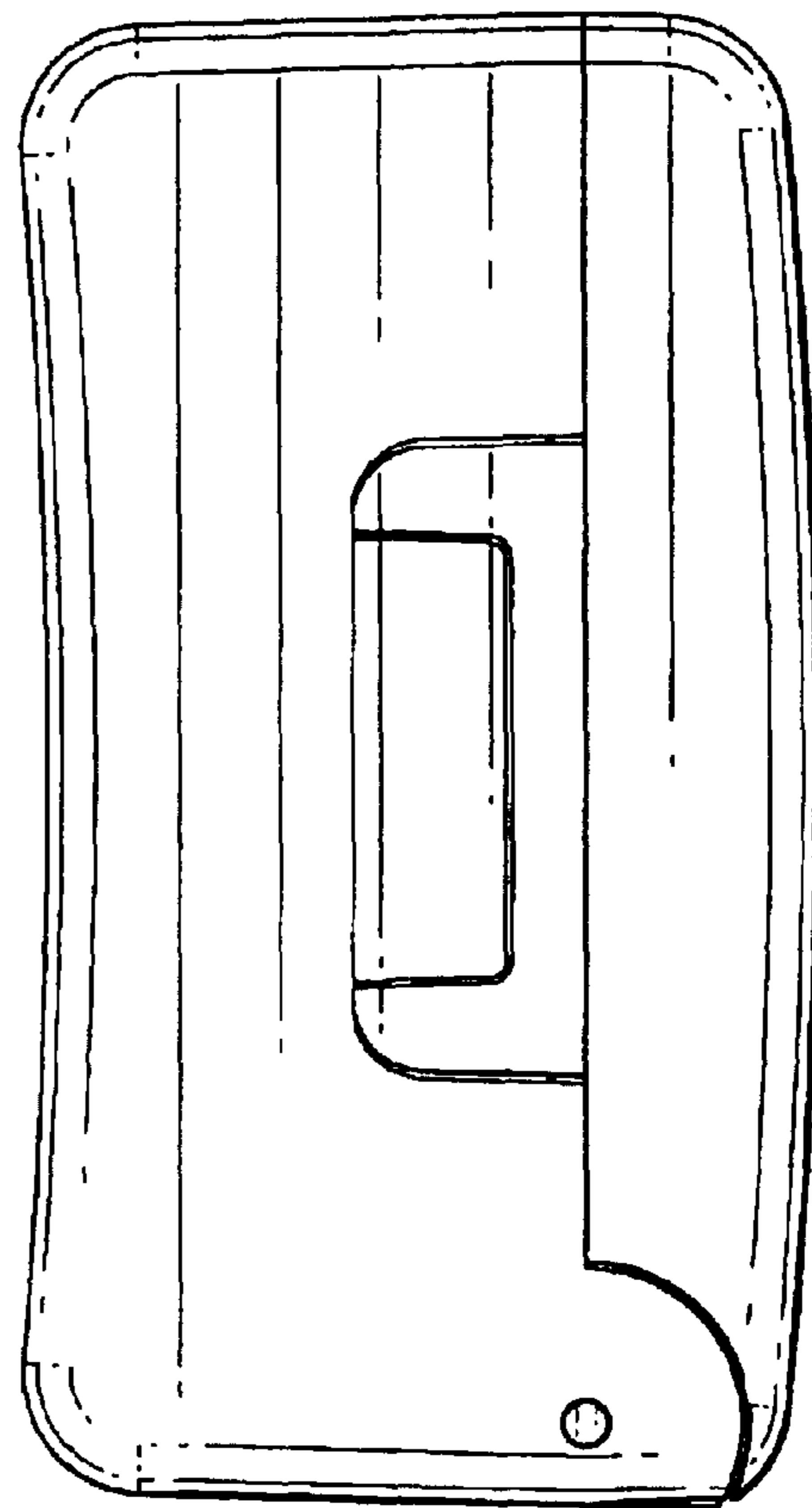


FIG. 7