

US00D496133S1

(12) **United States Design Patent** (10) **Patent No.:** **US D496,133 S**
Dittmer et al. (45) **Date of Patent:** **** Sep. 14, 2004**

(54) **COMPACT**

(75) Inventors: **Jay R. Dittmer**, Ada, MI (US); **Mark F. Mettler**, Spring Lake, MI (US)

(73) Assignee: **Access Business Group International LLC**, Ada, MI (US)

(**) Term: **14 Years**

(21) Appl. No.: **29/186,939**

(22) Filed: **Jul. 24, 2003**

(51) **LOC (7) Cl.** **28-03**

(52) **U.S. Cl.** **D28/83**

(58) **Field of Search** D28/73, 76-84;
132/293-307, 314-318; 206/581, 823

(56) **References Cited**

U.S. PATENT DOCUMENTS

D93,317 S	*	9/1934	Zell	D28/78
3,776,245 A	*	12/1973	Hayes et al.	132/304
D267,983 S	*	2/1983	Cheung	D28/83
D281,968 S	*	12/1985	Thiele et al.	D28/83
D433,539 S		11/2000	Gavin		

D433,773 S		11/2000	Gavin		
D434,875 S		12/2000	Gavin		
D436,421 S	*	1/2001	Cooper	D28/77
D468,058 S		12/2002	Thorpe		

* cited by examiner

Primary Examiner—Jennifer Rivard

(74) *Attorney, Agent, or Firm*—Warner Norcross & Judd LLP

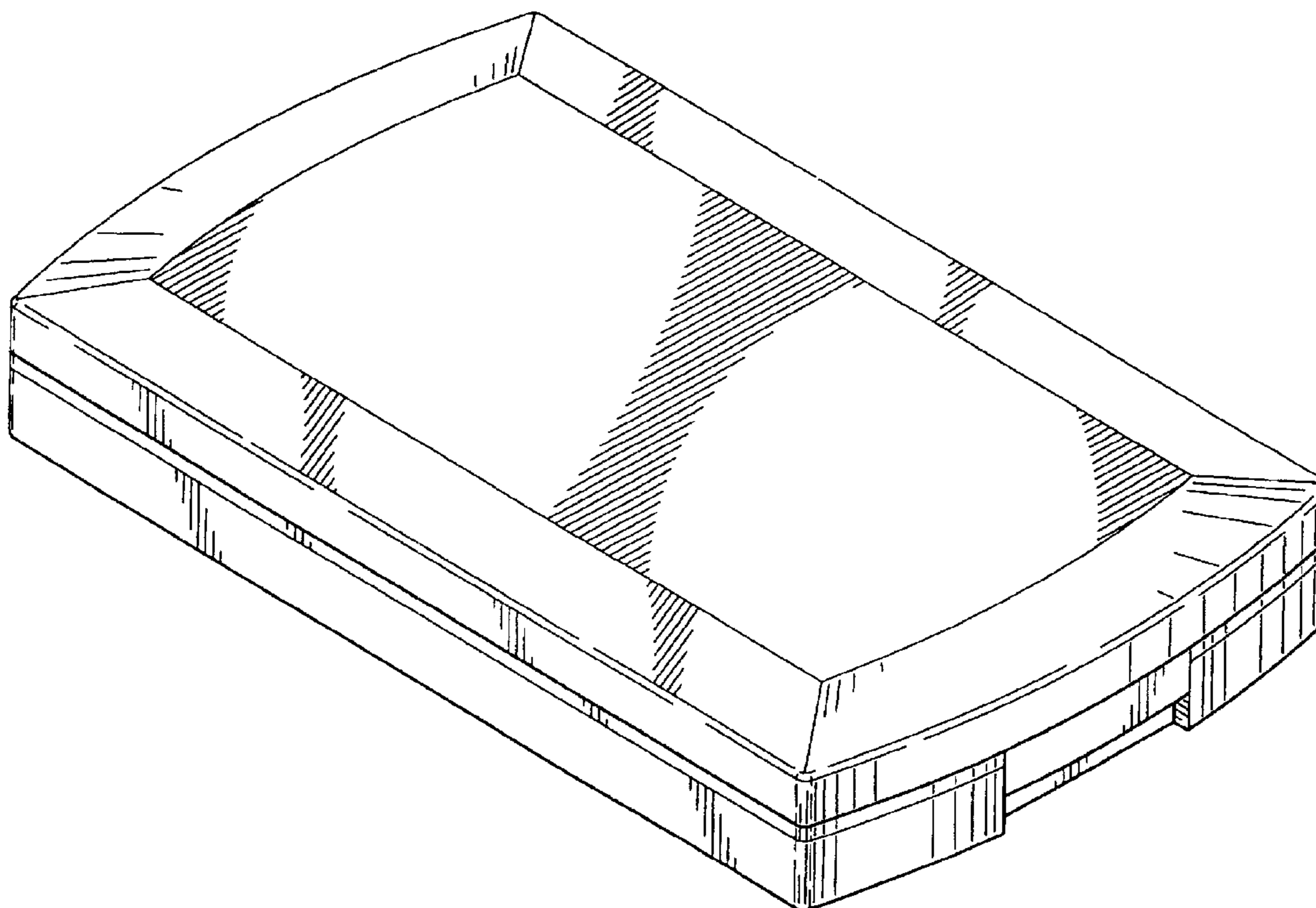
(57) **CLAIM**

The ornamental design for compact, as shown and described.

DESCRIPTION

FIG. 1 is a perspective view of the compact embodying the new design;
 FIG. 2 is a top plan view thereof;
 FIG. 3 is a bottom plan view thereof;
 FIG. 4 is a front elevational view thereof;
 FIG. 5 is a rear elevational view thereof; and,
 FIG. 6 is a left side elevational view thereof, the right side elevational view being a mirror image thereof.

1 Claim, 6 Drawing Sheets



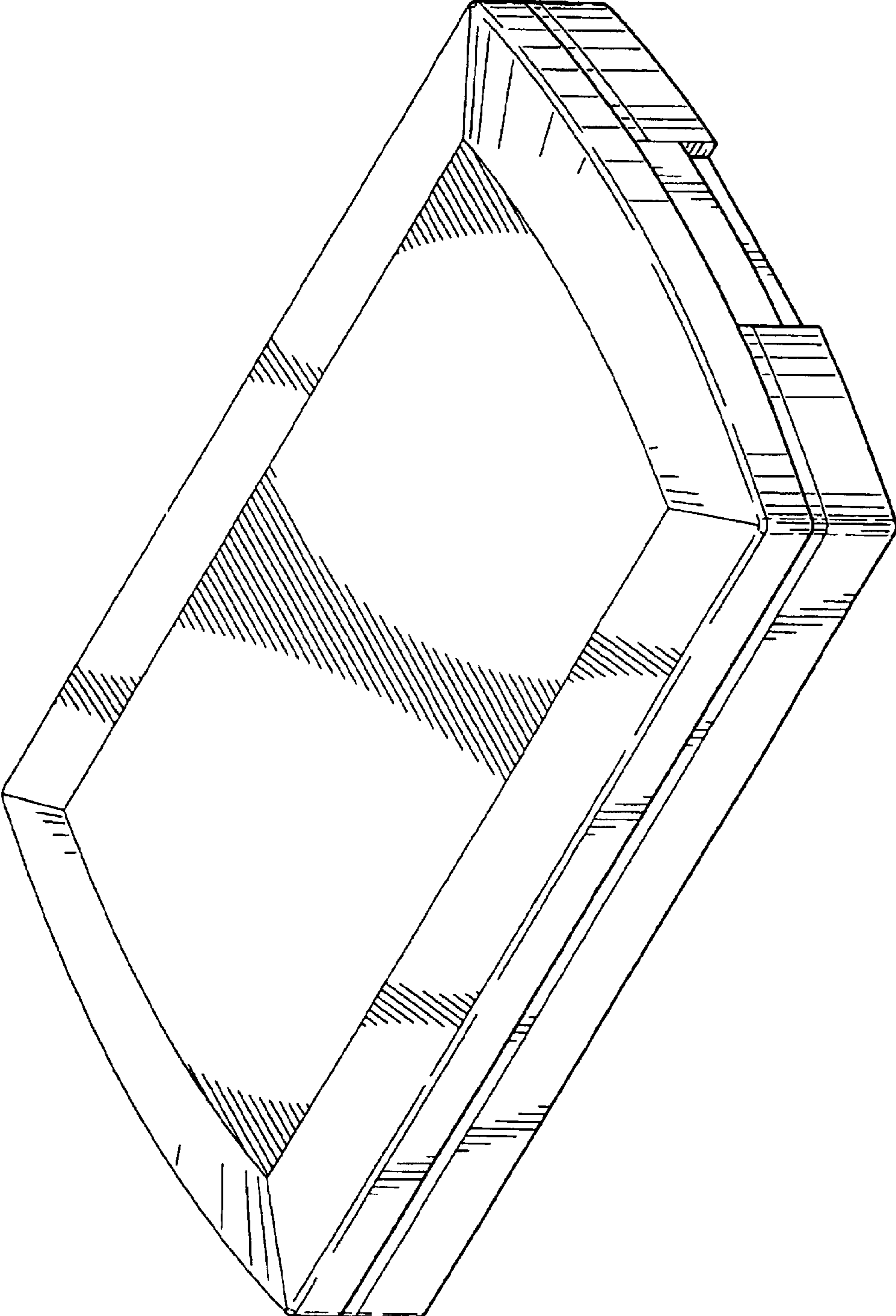


FIG. 1

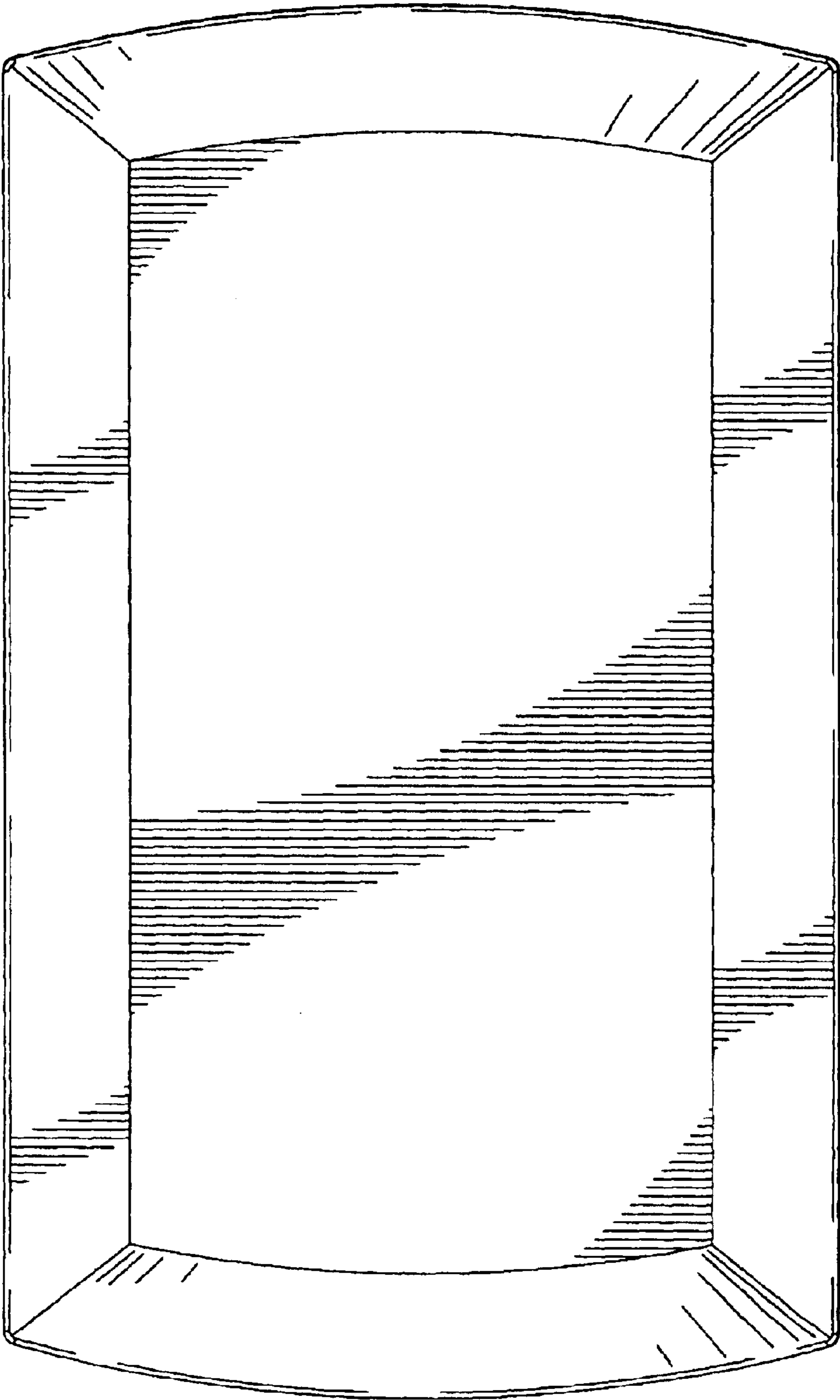


FIG. 2

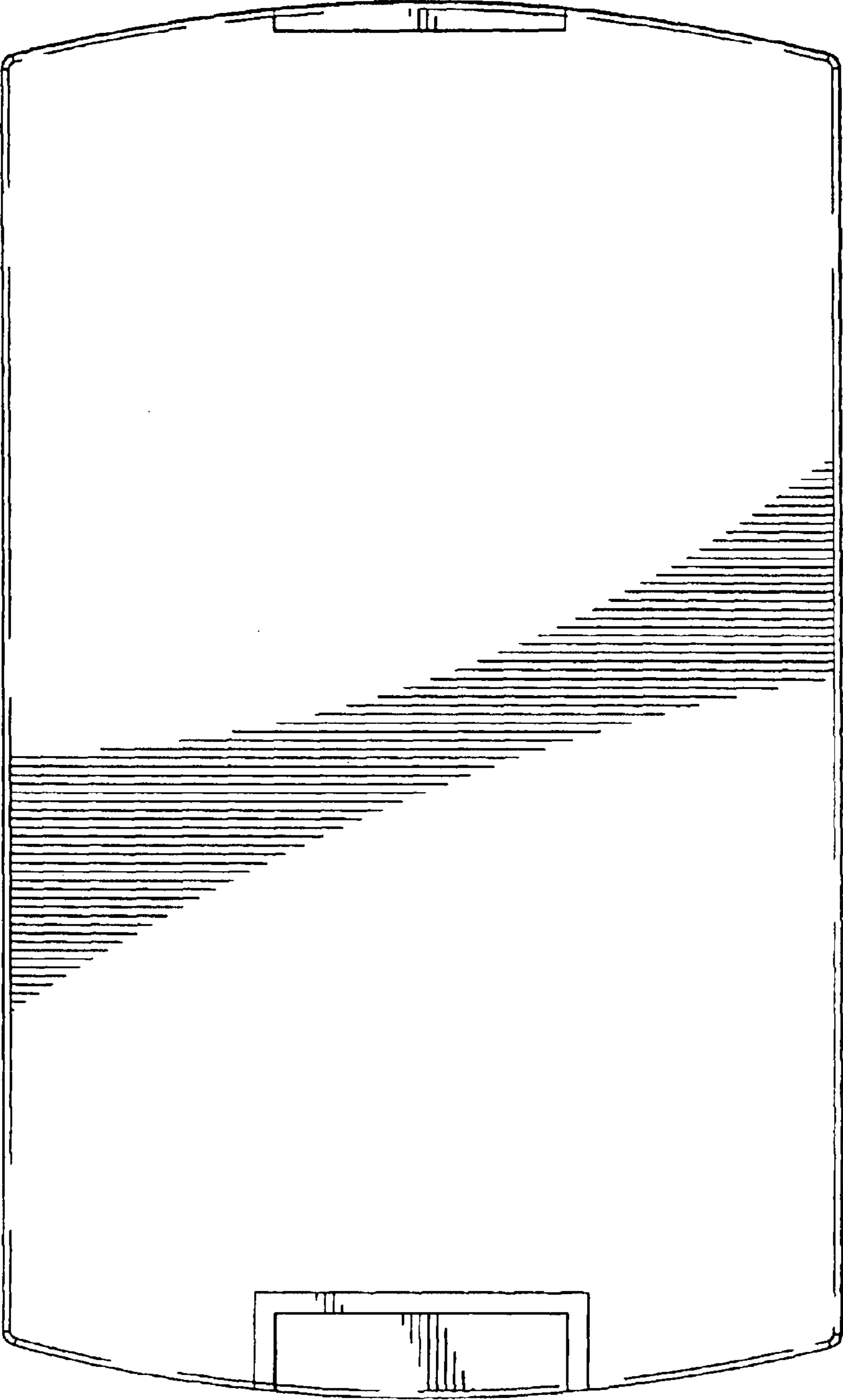


FIG. 3

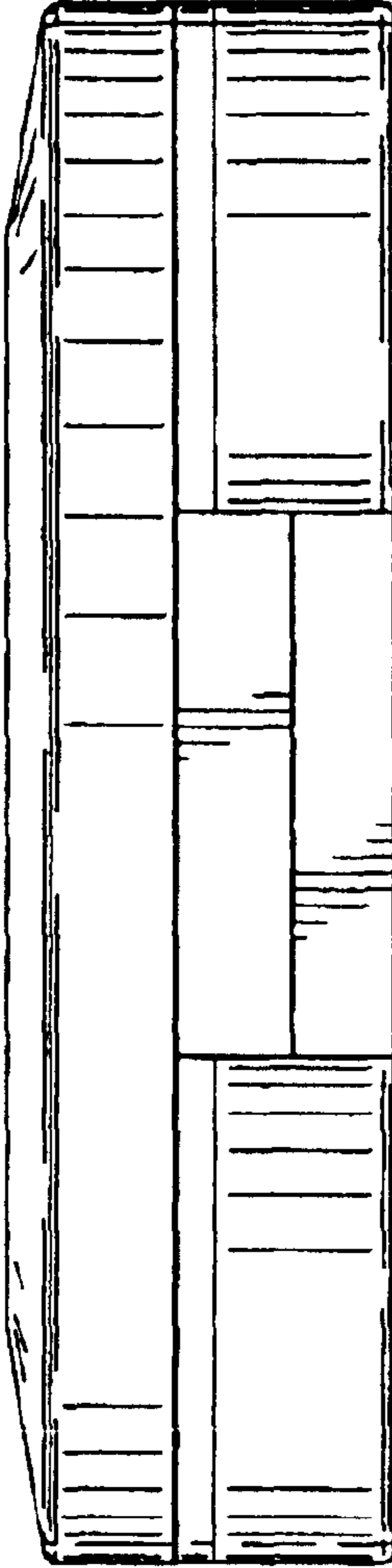


FIG. 4

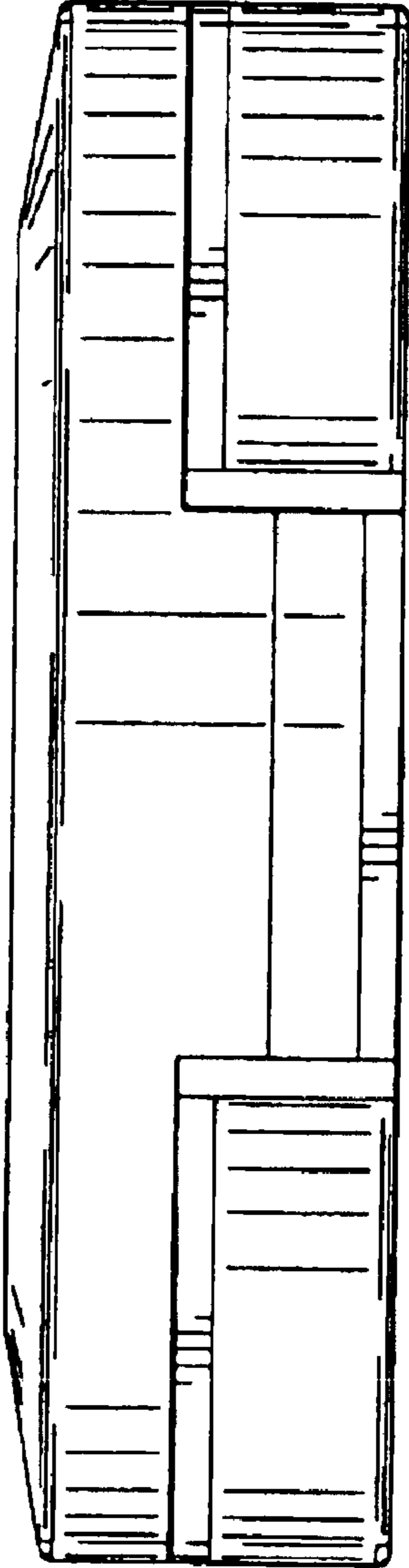


FIG. 5

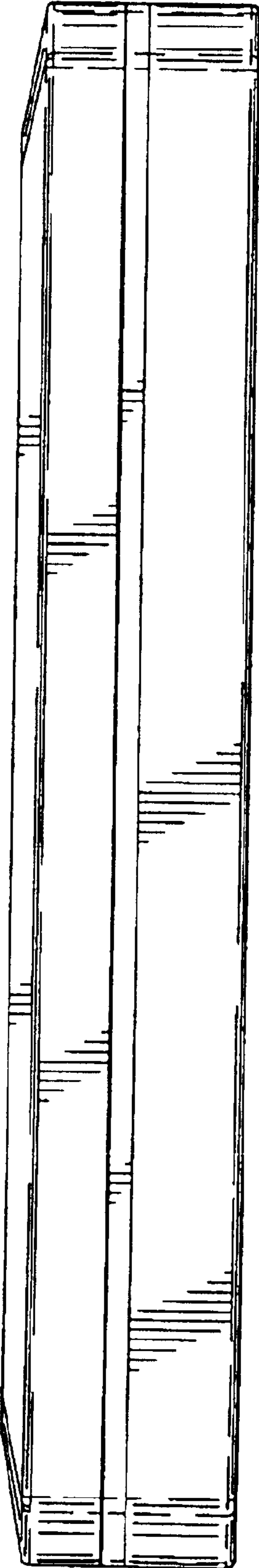


FIG. 6