

US00D496129S1

(12) **United States Design Patent** (10) Patent No.: **US D496,129 S**
Ogi (45) Date of Patent: **** Sep. 14, 2004**

(54) **DISPOSABLE HAIRCUT RAZOR BLADE**

JP	974587	2/1997
JP	1004996	3/1998
JP	1004997	3/1998
JP	1005381	3/1998
JP	10-249075	9/1998
JP	2000-61175	2/2000

(75) Inventor: **Eiji Ogi, Seki (JP)**

(73) Assignee: **Feather Safety Razor Co., Ltd., Osaka (JP)**

(**) Term: **14 Years**

(21) Appl. No.: **29/162,786**

(22) Filed: **Jun. 20, 2002**

(30) **Foreign Application Priority Data**

Dec. 21, 2001 (JP) 2001-039303

(51) **LOC (7) Cl.** **28-03**

(52) **U.S. Cl.** **D28/47**

(58) **Field of Search** D28/45-47, 52,
D28/54; 30/30, 47, 50, 53, 78, 81, 82, 88,
346.56

(56) **References Cited**

U.S. PATENT DOCUMENTS

5,220,728	A *	6/1993	Ueno et al.	30/30
6,092,288	A *	7/2000	Adachi	30/53
6,094,820	A *	8/2000	Adachi	30/30

FOREIGN PATENT DOCUMENTS

JP	54-72155	6/1979
JP	55-86672	6/1980

OTHER PUBLICATIONS

DUO Razor Blades, Caltomic Catalog insert, Modern Salon, vol. 87, No. 9, 3 pages (Sep. 2001).

* cited by examiner

Primary Examiner—Jennifer Rivard

(74) *Attorney, Agent, or Firm*—Ladas & Parry

(57) **CLAIM**

The ornamental design for a “disposable haircut razor blade”, as shown and described.

DESCRIPTION

FIG. 1 is a perspective view from the front illustrating a “disposable haircut razor blade”;
 FIG. 2 is a perspective view from the rear thereof;
 FIG. 3 is a front elevation thereof;
 FIG. 4 is a rear elevation thereof;
 FIG. 5 is a top view thereof;
 FIG. 6 is a bottom view thereof; and,
 FIG. 7 is a right side elevation thereof.

1 Claim, 3 Drawing Sheets

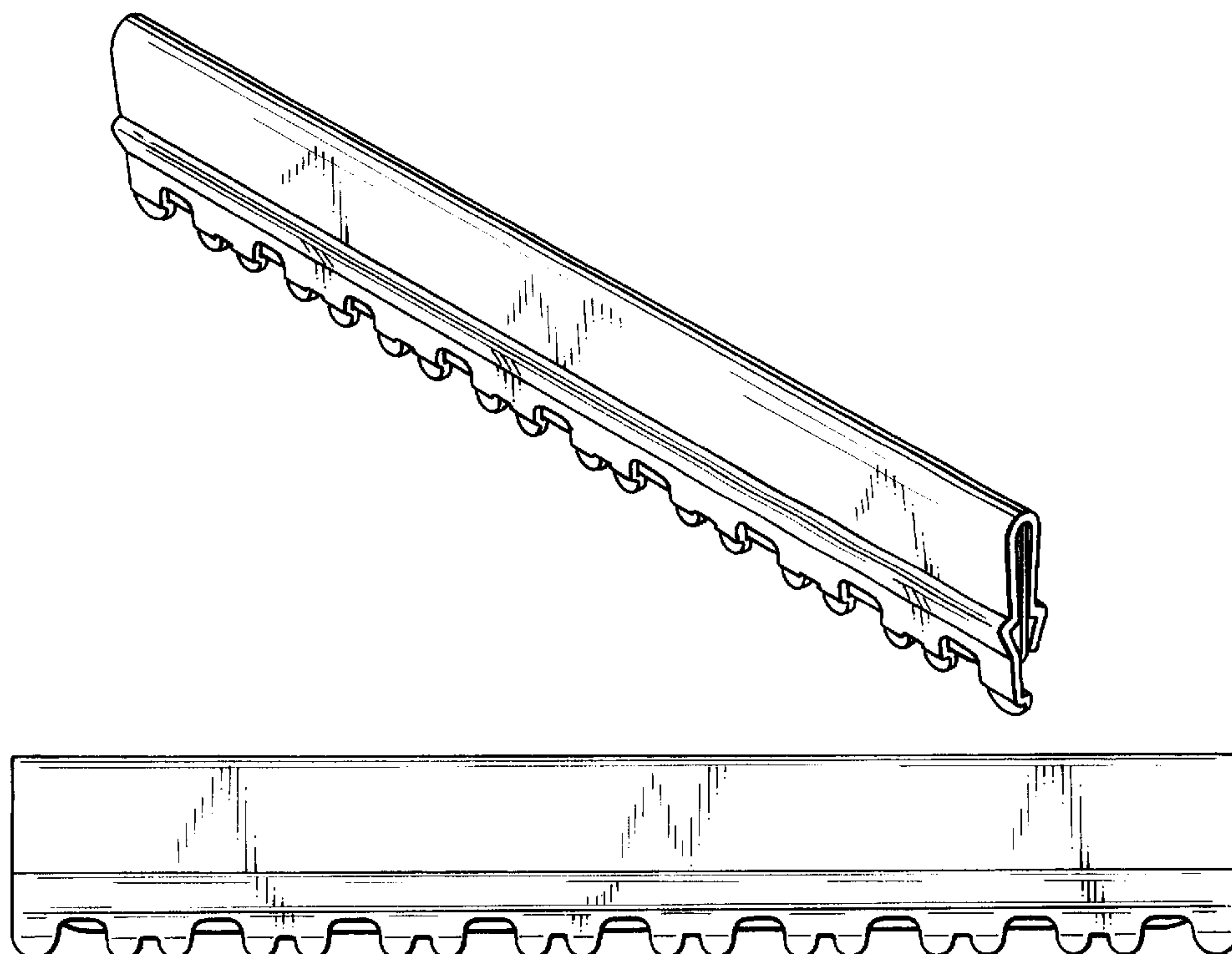


FIG. 1

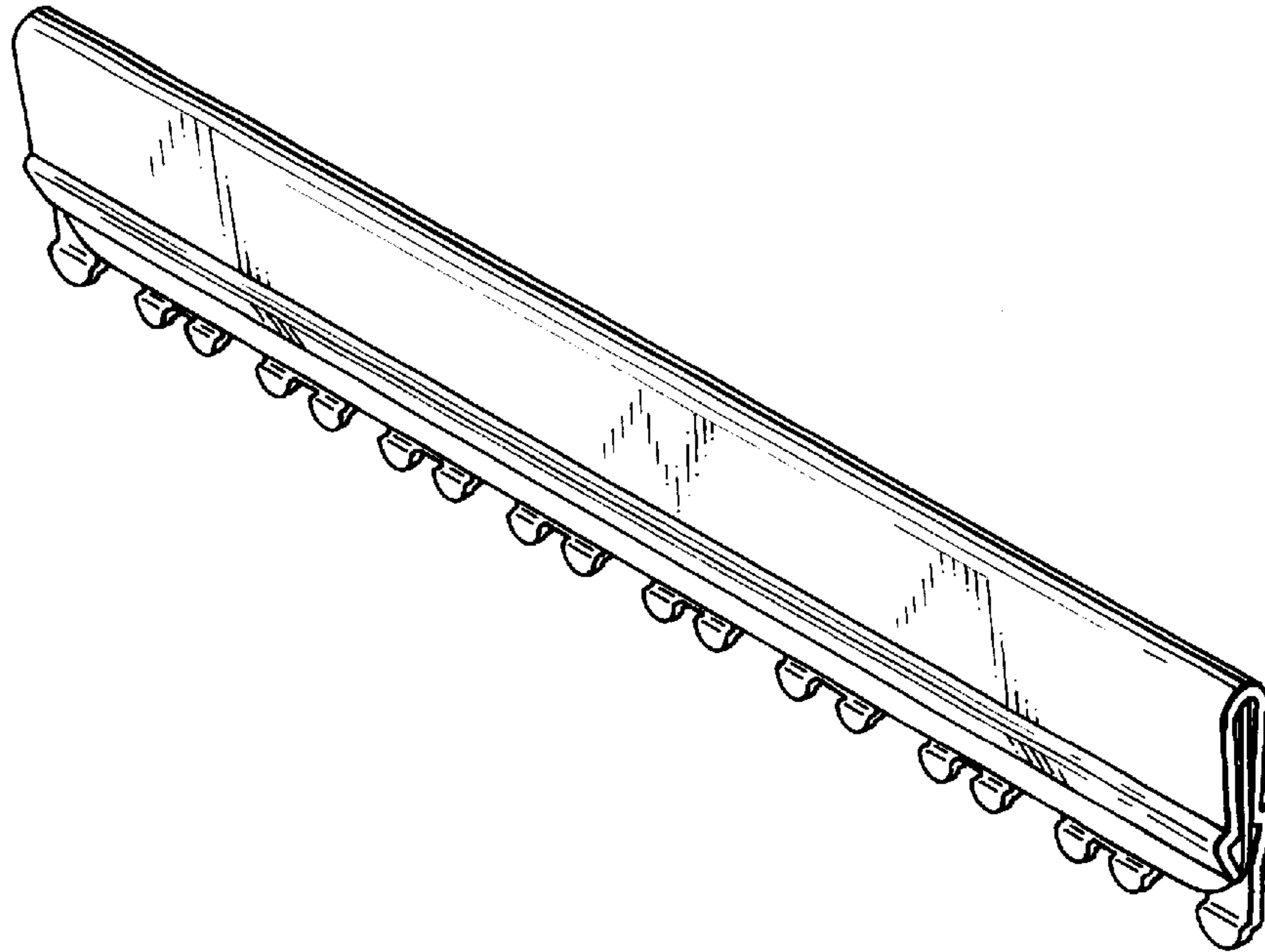


FIG. 2

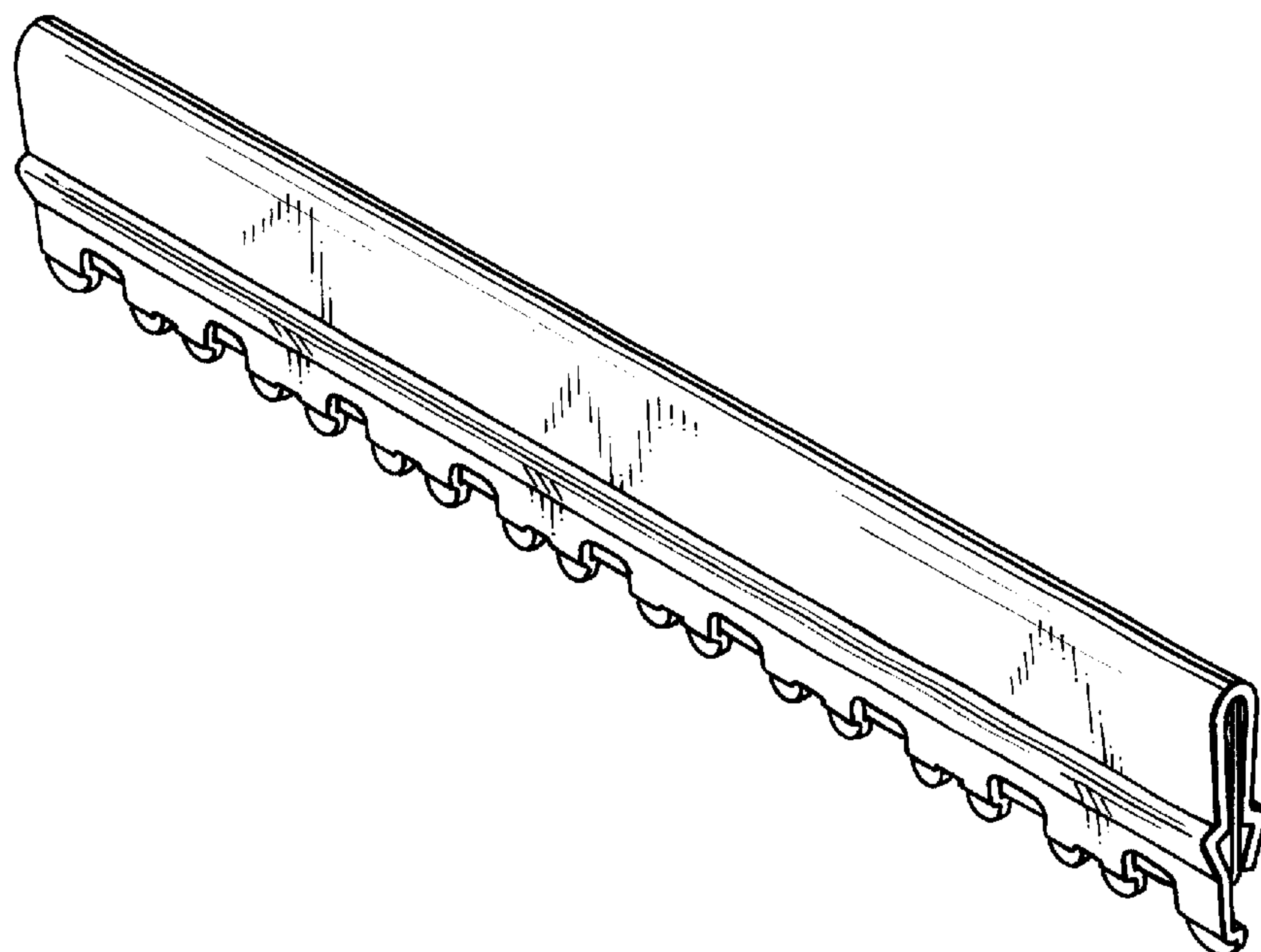


FIG. 3

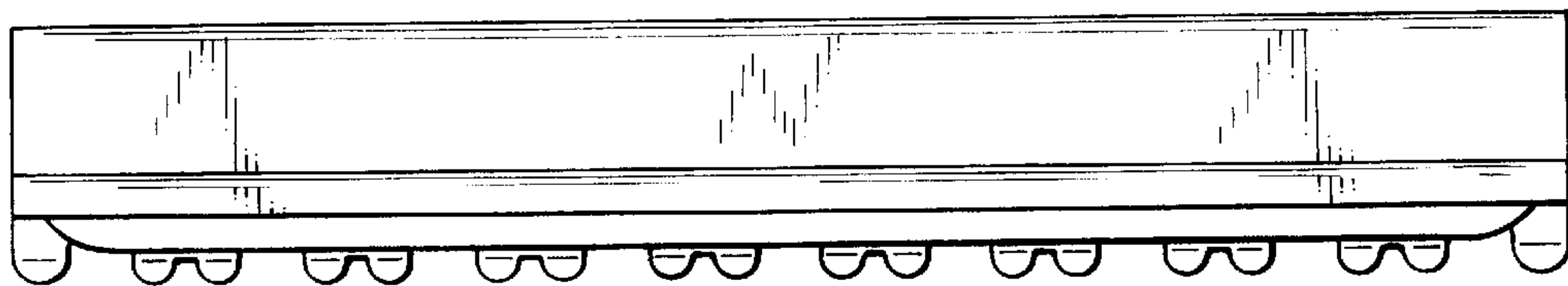


FIG. 4

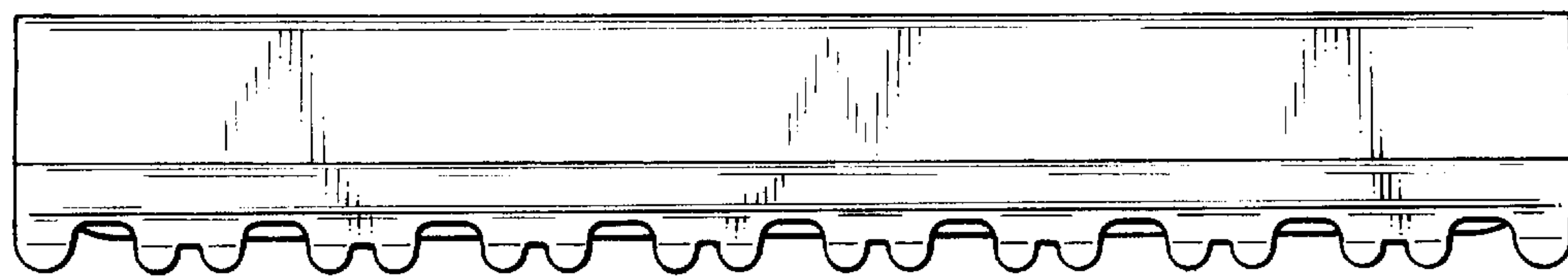


FIG. 5

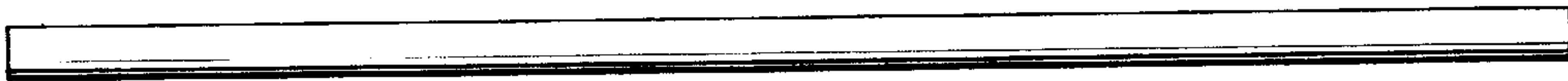


FIG. 6



FIG. 7

